



US00D467687S

(12) **United States Design Patent**
Tangolics

(10) **Patent No.:** **US D467,687 S**

(45) **Date of Patent:** **** Dec. 24, 2002**

(54) **PET BOWL**

D430,710 S * 9/2000 Sheely D30/129

(75) Inventor: **Lori L. Tangolics**, East Brunswick, NJ
(US)

* cited by examiner

(73) Assignee: **The Hartz Mountain Corporation**,
Secaucus, NJ (US)

Primary Examiner—Pamela Burgess

(74) *Attorney, Agent, or Firm*—Gottlieb, Rackman &
Reisman, P.C.

(**) Term: **14 Years**

(57) **CLAIM**

The ornamental design for a pet bowl, as shown and
described.

(21) Appl. No.: **29/157,092**

(22) Filed: **Mar. 13, 2002**

DESCRIPTION

(51) **LOC (7) Cl.** **30-03**

(52) **U.S. Cl.** **D30/129; D30/130; D7/566**

(58) **Field of Search** D30/129-133,
D30/121, 122; 119/61, 51.5, 74, 464; D7/502,
504, 505, 546, 556, 555, 553.1, 553.3,
553.6, 566, 567, 593

FIG. 1 is a top perspective view of a pet bowl showing my
new design;

FIG. 2 is a top plan view of FIG. 1;

FIG. 3 is a front elevation view of FIG. 1;

FIG. 4 is a right side elevational view of FIG. 1; the side
elevational view being a mirror image thereof.

FIG. 5 is a left side elevational view of FIG. 1;

FIG. 6 is a rear elevational view of FIG. 1; and

FIG. 7 is a bottom plan view of FIG. 1

FIG. 8 is a top perspective view of a second embodiment
thereof; and,

FIG. 9 is a bottom perspective view thereof.

(56) **References Cited**

U.S. PATENT DOCUMENTS

- 2,677,350 A * 5/1954 Prestidge et al. 119/61
- D183,047 S * 6/1958 Helmer D7/549
- D186,040 S * 9/1959 Stageberg D7/566
- D235,498 S * 6/1975 Day D7/553.3

1 Claim, 5 Drawing Sheets

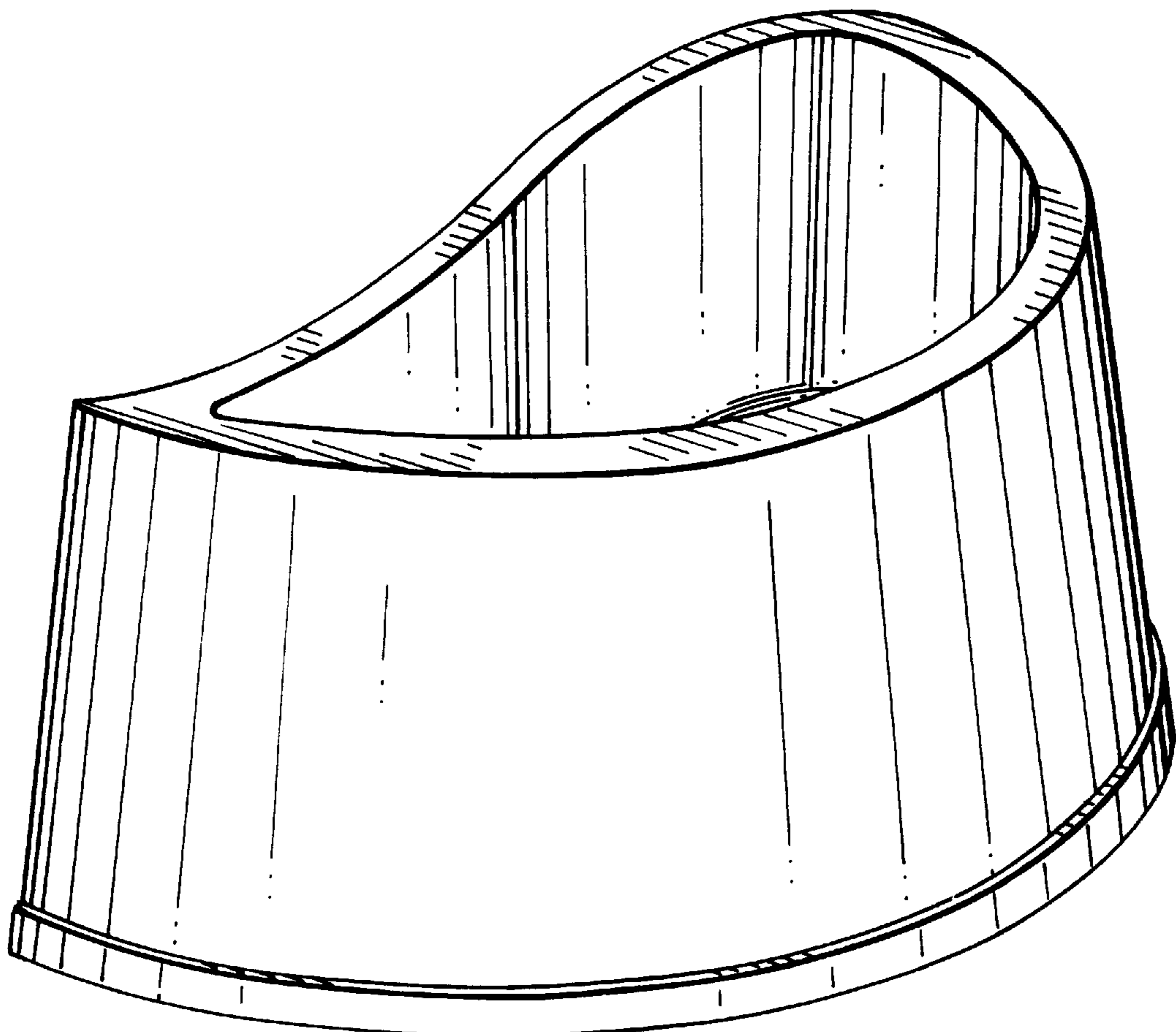


FIG. 1

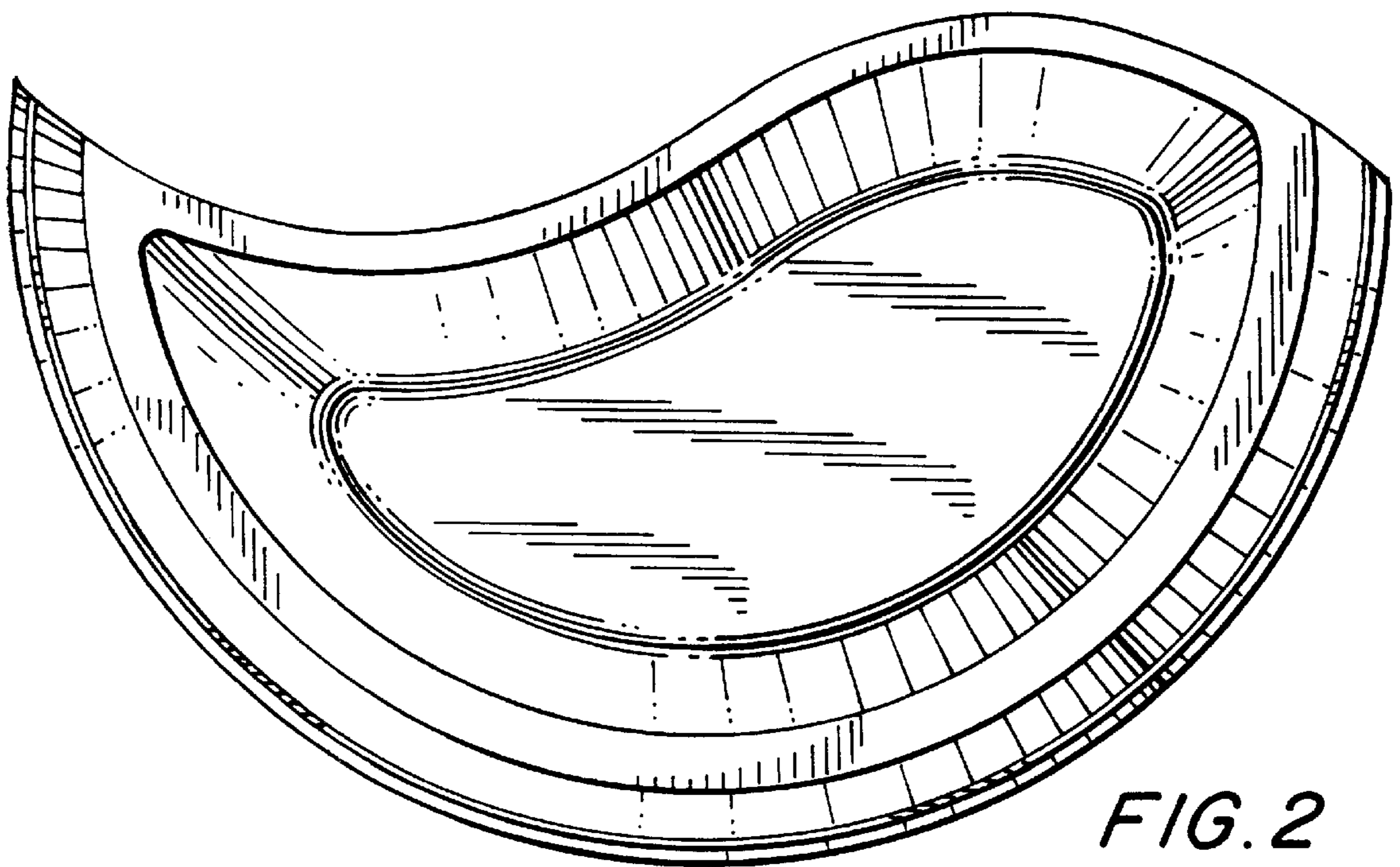
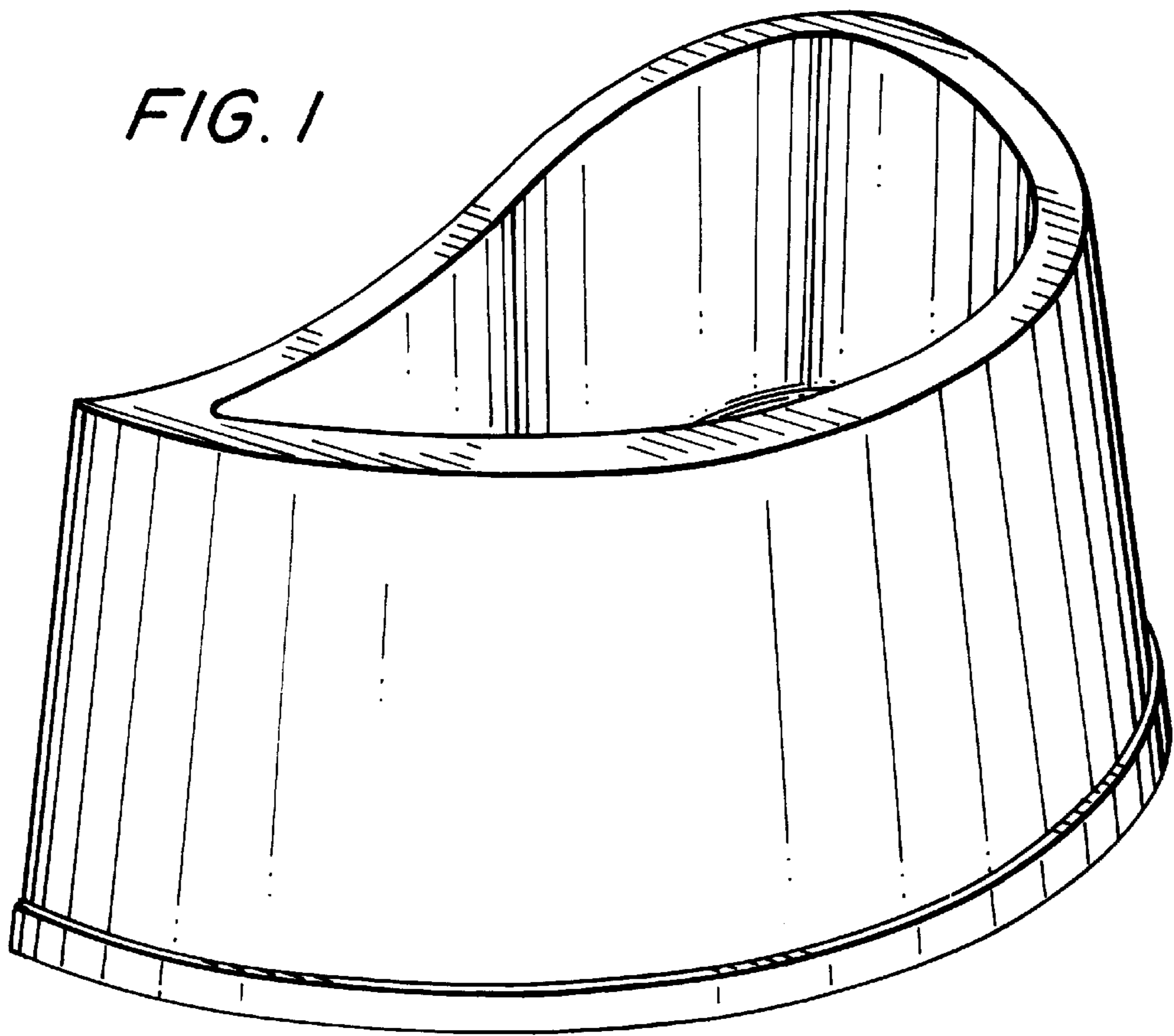


FIG. 2

FIG. 3

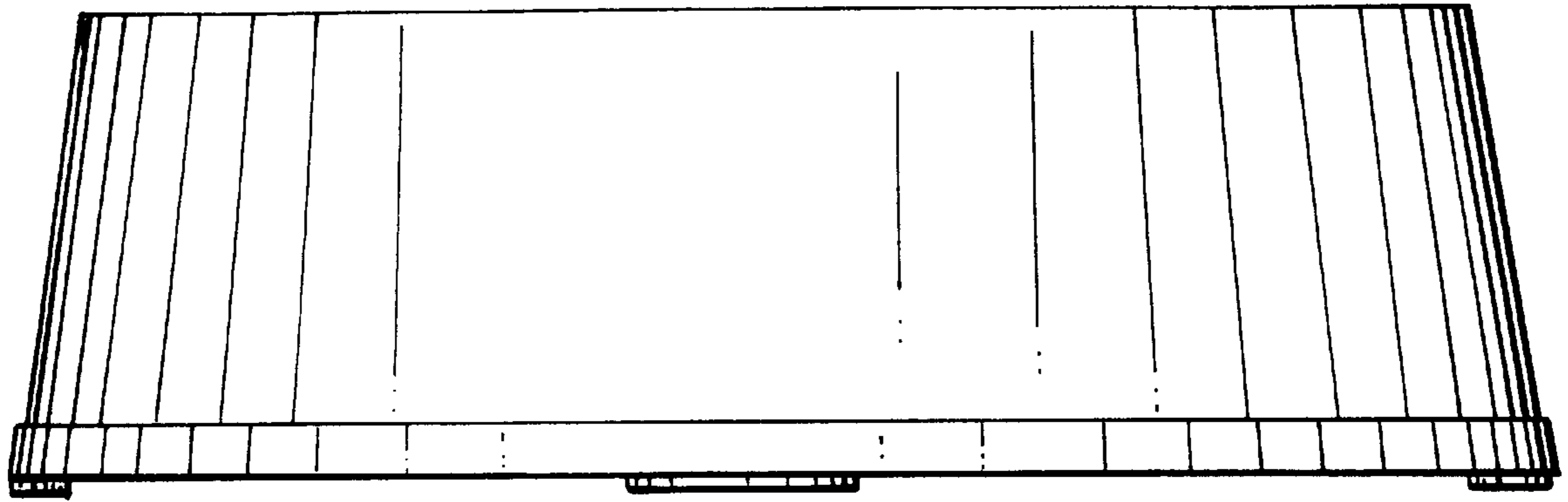


FIG. 4

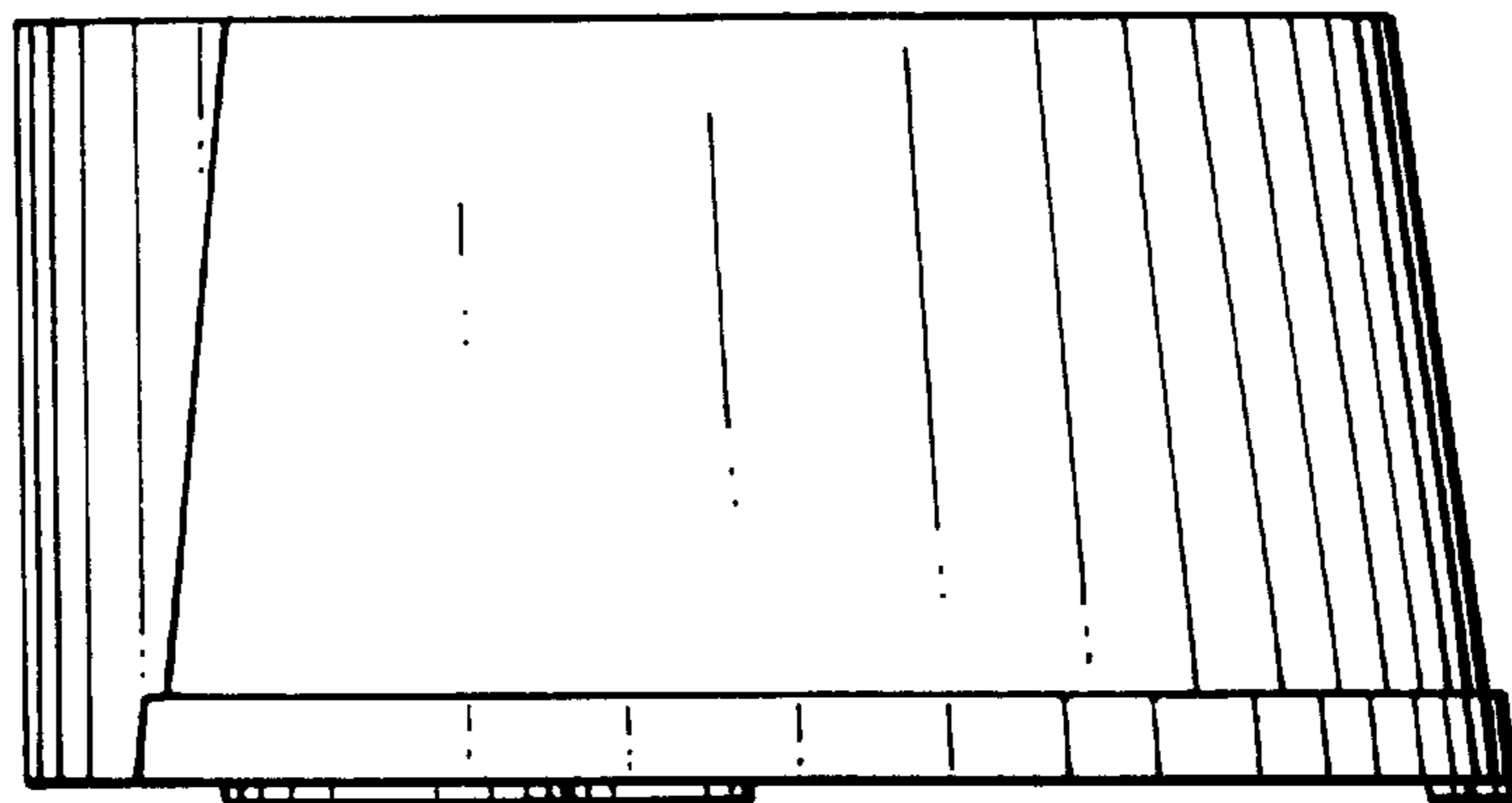
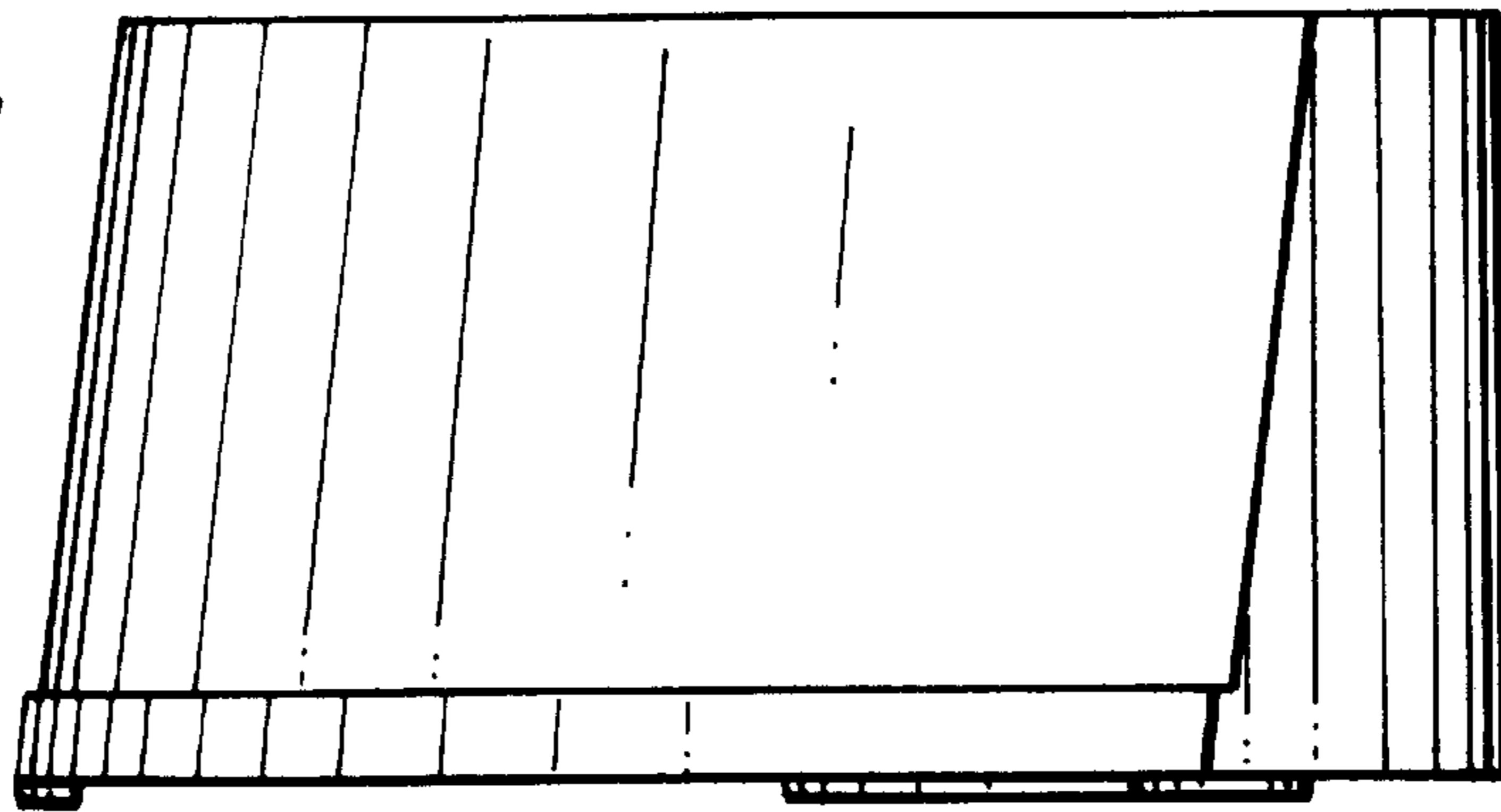


FIG. 5

FIG. 6

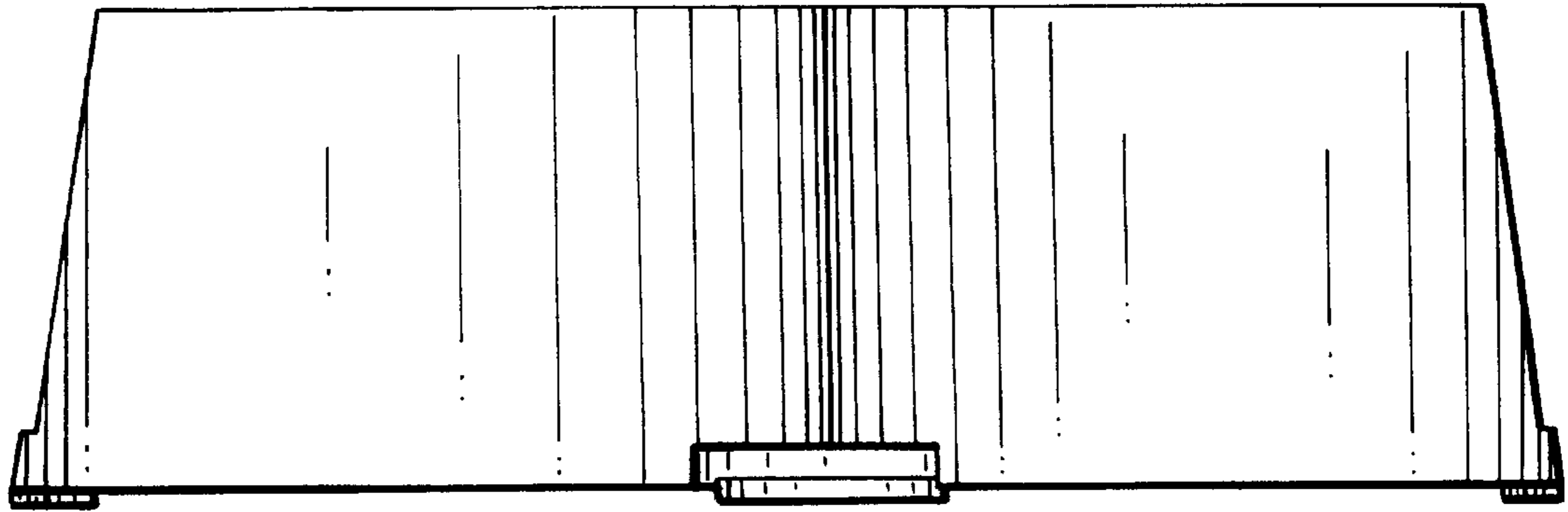
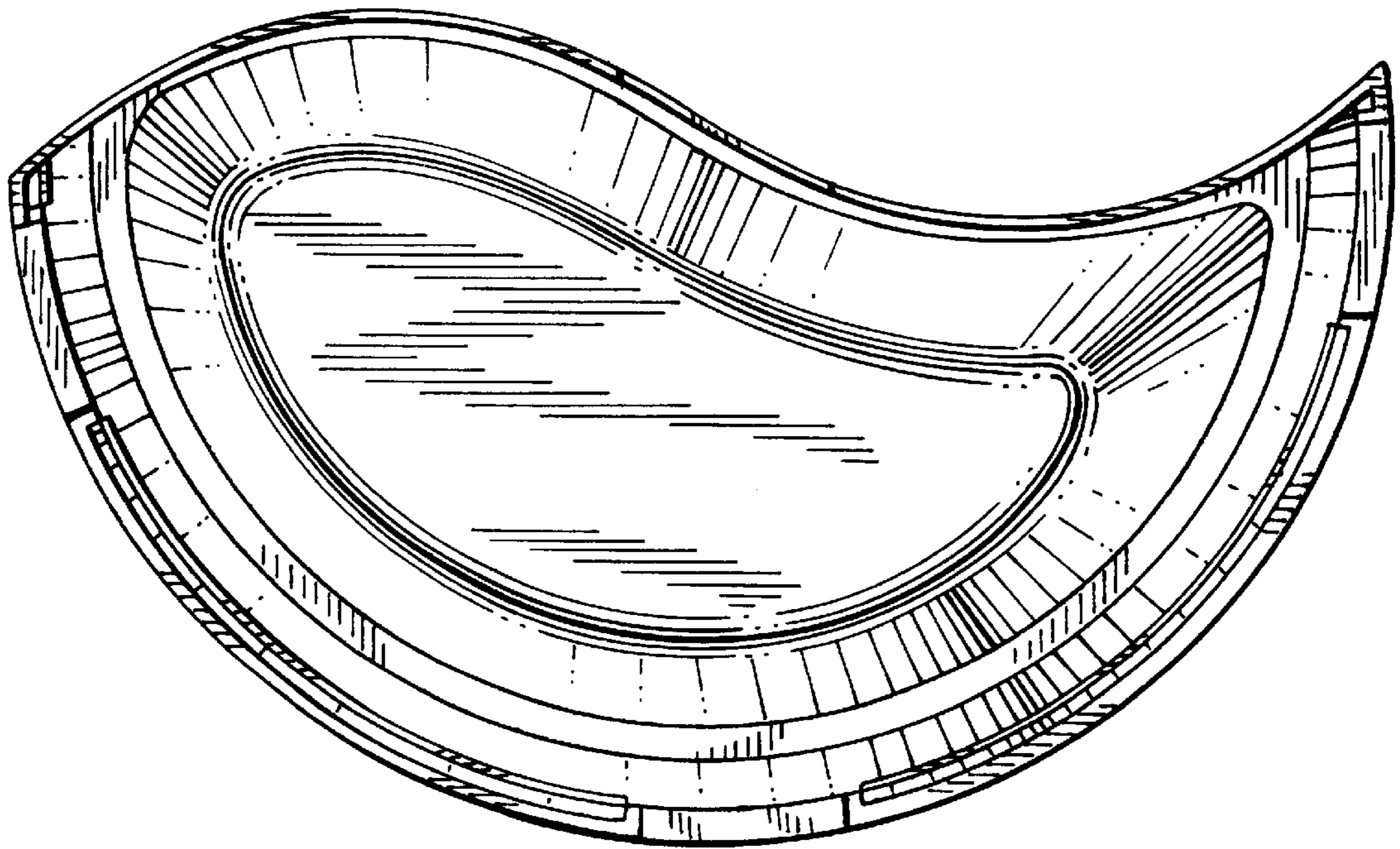


FIG. 7



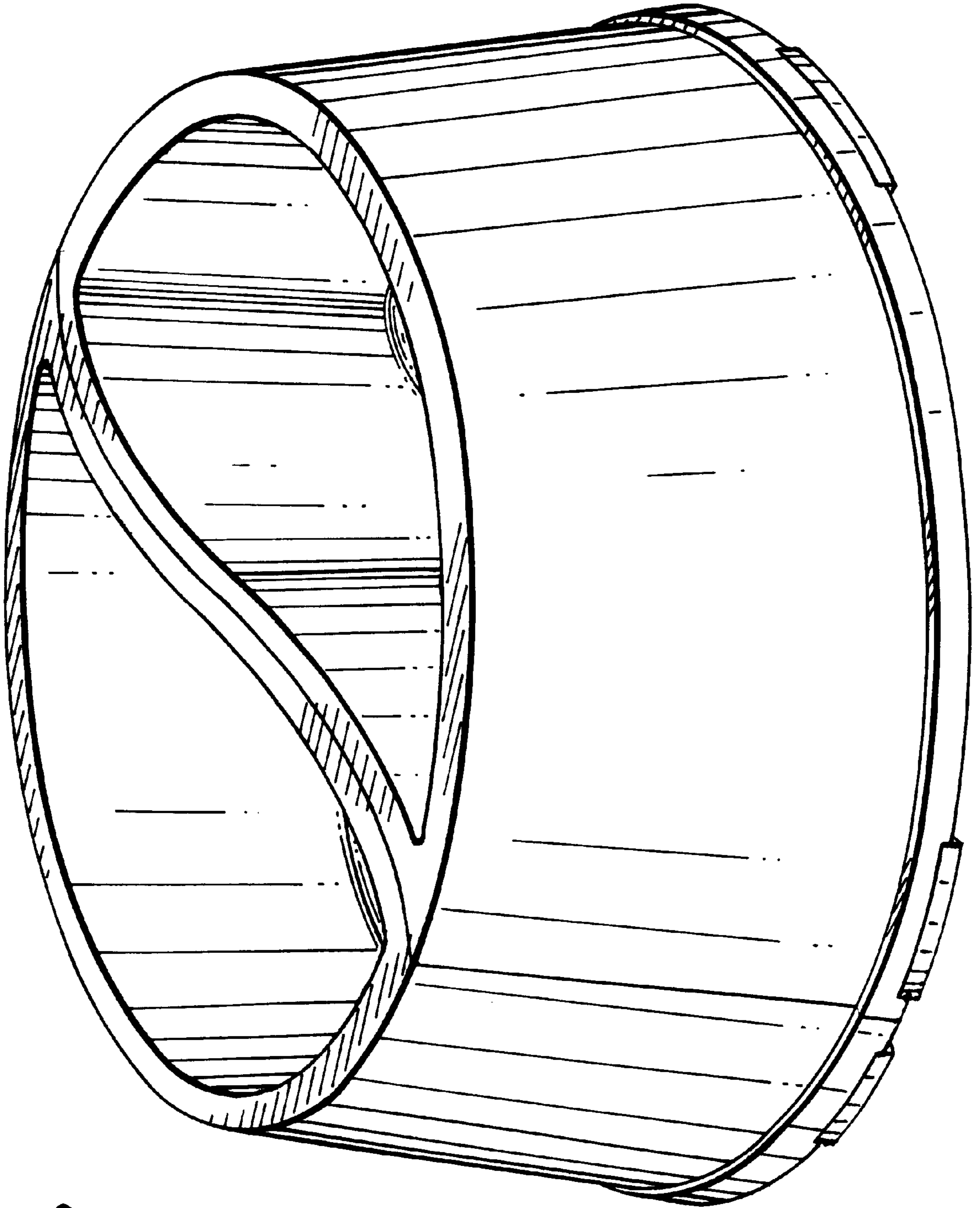


FIG. 8

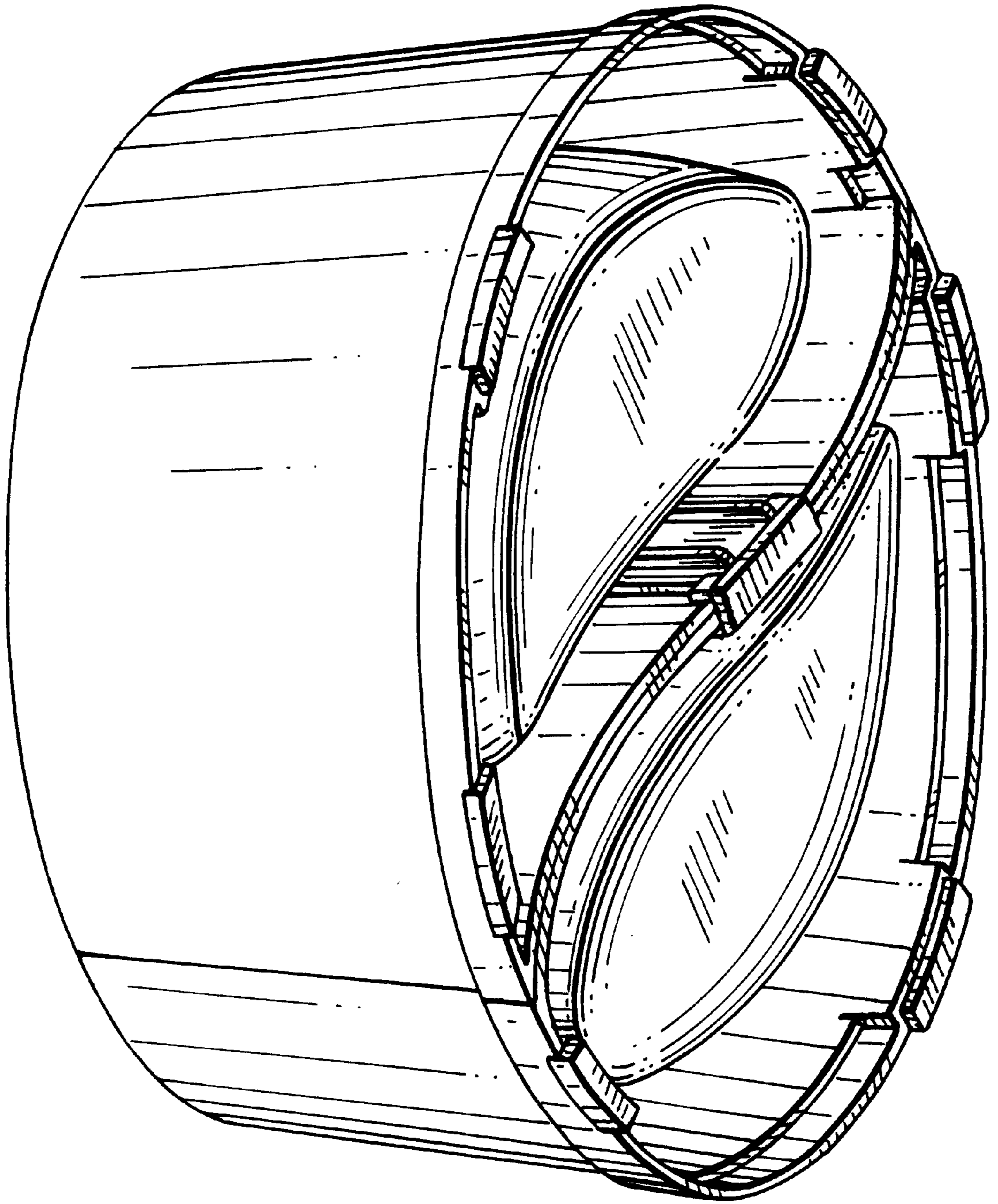


FIG. 9