



US00D467686S

(12) **United States Design Patent**  
**Kohler**

(10) **Patent No.:** **US D467,686 S**

(45) **Date of Patent:** **\*\* Dec. 24, 2002**

(54) **LOTION APPLICATOR**

(76) **Inventor:** **Ed G. Kohler**, Little Flower Parish,  
P.O. Box 529, Browning, MT (US)  
59417

(\*\*) **Term:** **14 Years**

(21) **Appl. No.:** **29/160,174**

(22) **Filed:** **May 7, 2002**

(51) **LOC (7) Cl.** ..... **28-02**

(52) **U.S. Cl.** ..... **D28/7; D7/688; D32/49**

(58) **Field of Search** ..... D28/7, 63, 91.2;  
D7/688; D8/45; D32/49; D24/119; 132/320,  
317; 294/7, 8; 15/245.1, 236.01, 236.07,  
245

(56) **References Cited**

**U.S. PATENT DOCUMENTS**

2,188,114	A	*	1/1940	Hubbard	.....	15/245
D129,393	S		6/1941	Hensley		
2,964,773	A	*	12/1960	Pence	.....	D7/688
3,065,485	A	*	11/1962	Solaini	.....	15/245
3,906,632	A	*	9/1975	Oppenheimer	.....	D7/688
D272,661	S		2/1984	Cutler		
D286,576	S	*	11/1986	Schneider et al.	.....	D28/7
D297,467	S	*	8/1988	McCann	.....	D28/7
4,896,984	A		1/1990	Evans		
D306,082	S		2/1990	Kidd		
D310,270	S		8/1990	Bacal et al.		
5,042,512	A		8/1991	Knight		
D323,409	S		1/1992	Giese		
5,360,011	A		11/1994	Arispe		
5,491,869	A		2/1996	Sullivan		
5,542,144	A		8/1996	Forsline		

5,566,418	A		10/1996	Steffen et al.		
5,568,669	A		10/1996	Godown		
D380,868	S	*	7/1997	Santore	.....	D28/7
5,664,281	A		9/1997	Pelfrey		
5,671,497	A		9/1997	Abdo		
5,673,455	A		10/1997	Per-Lee et al.		
5,692,261	A		12/1997	Lops		
D431,101	S	*	9/2000	Gracy	.....	D32/49

**OTHER PUBLICATIONS**

Thomson & Thomson, Trademark Research Report (Back Anointer™), Mar. 29, 2001, pp. 2–8, 16–18, 30, 33–39, 44–52, Thomson & Thomson, North Quincy, Massachusetts.

\* cited by examiner

*Primary Examiner*—Lucy Lieberman  
(74) *Attorney, Agent, or Firm*—Gough, Shanahan, Johnson & Waterman; William L. MacBride, Jr.

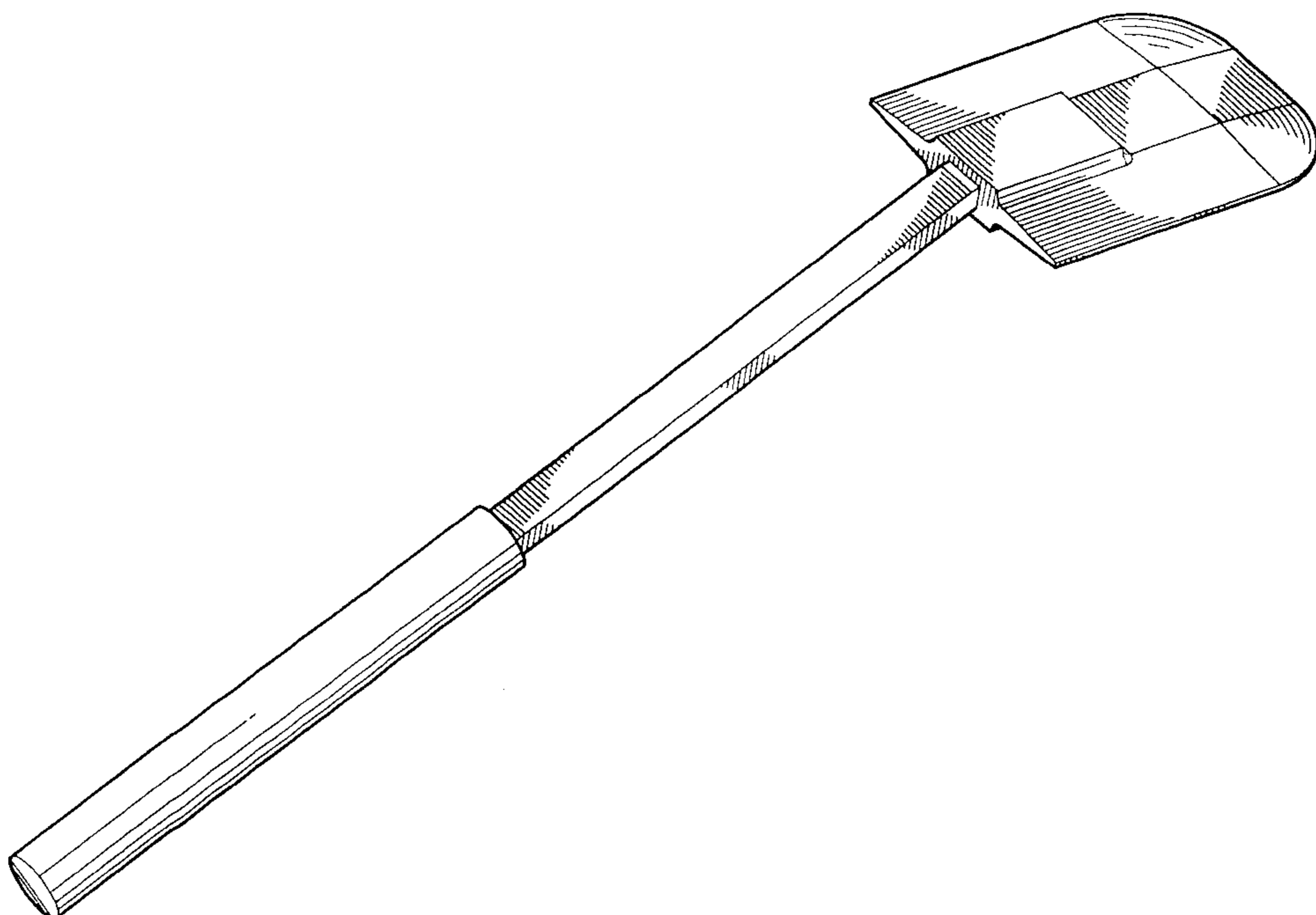
(57) **CLAIM**

The ornamental design for a lotion applicator, as shown and described.

**DESCRIPTION**

FIG. 1 is a perspective view of a lotion applicator, showing my new design;  
FIG. 2 is a top plan view thereof;  
FIG. 3 is a bottom plan view thereof;  
FIG. 4 is a right side elevational view thereof, a left side elevational view being a mirror image of the right side elevational view;  
FIG. 5 is a front elevational thereof; and,  
FIG. 6 is a rear elevation thereof.

**1 Claim, 4 Drawing Sheets**



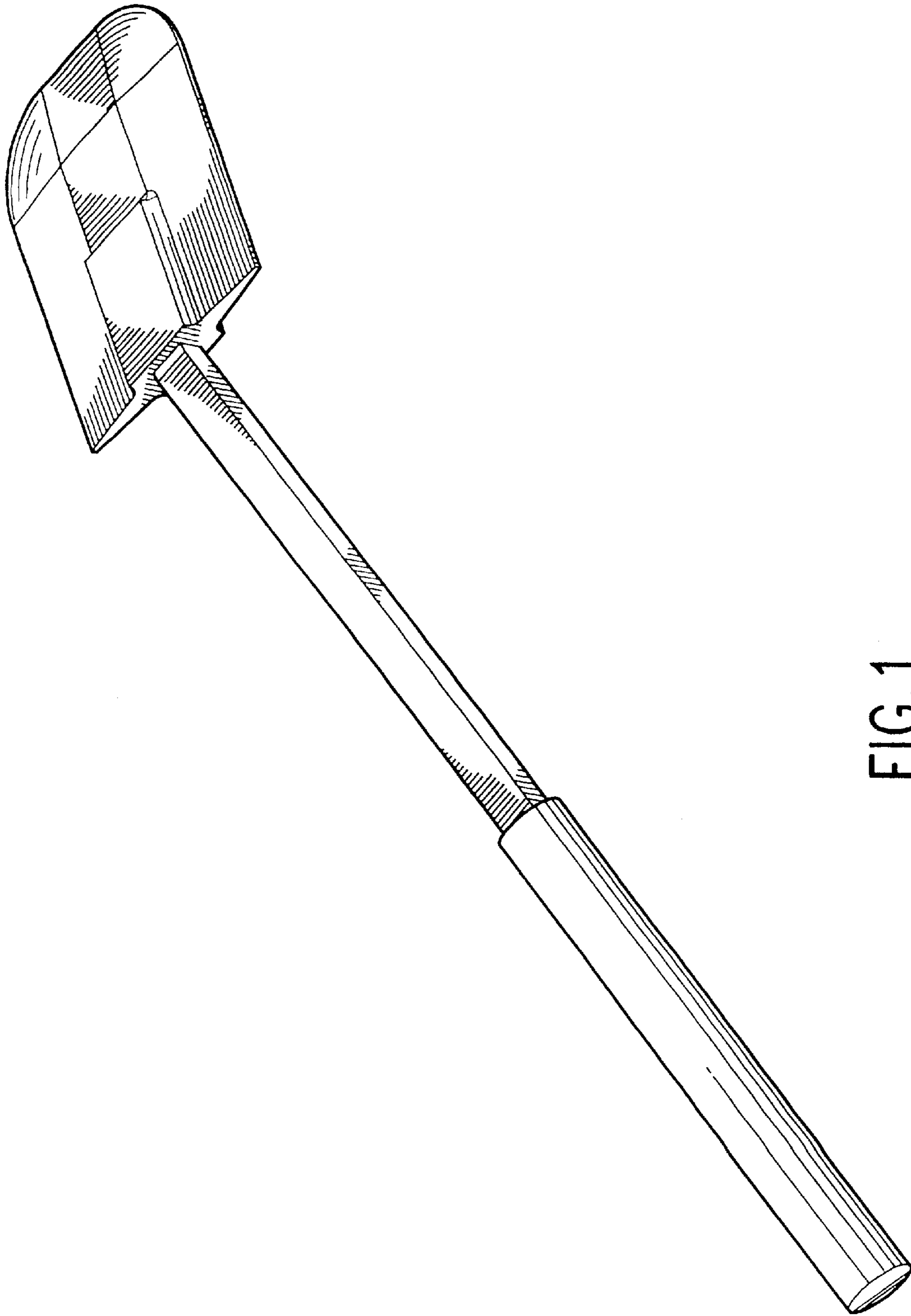


FIG. 1

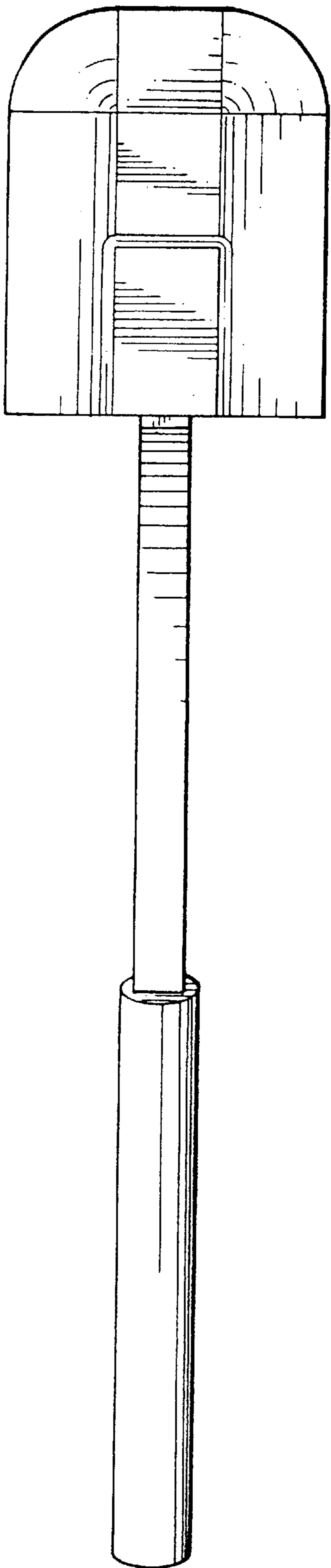


FIG. 2

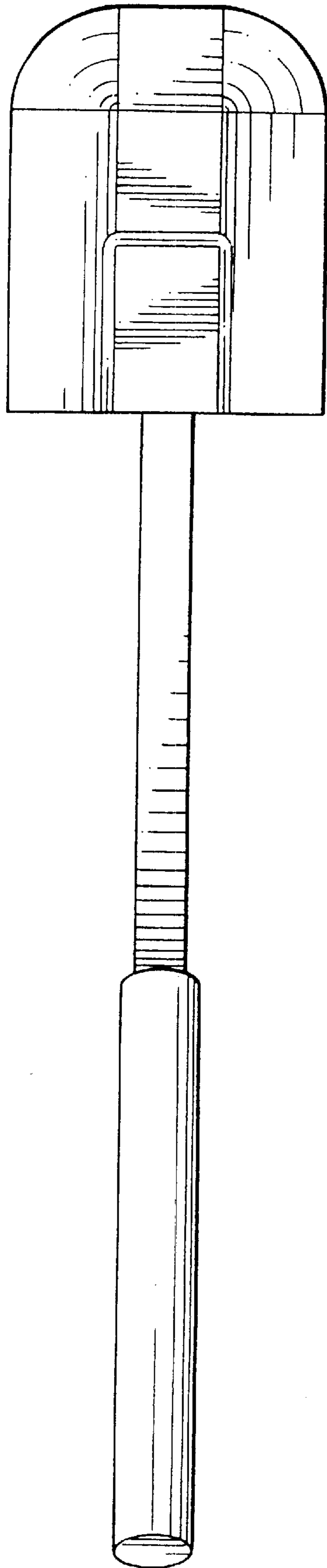


FIG. 3

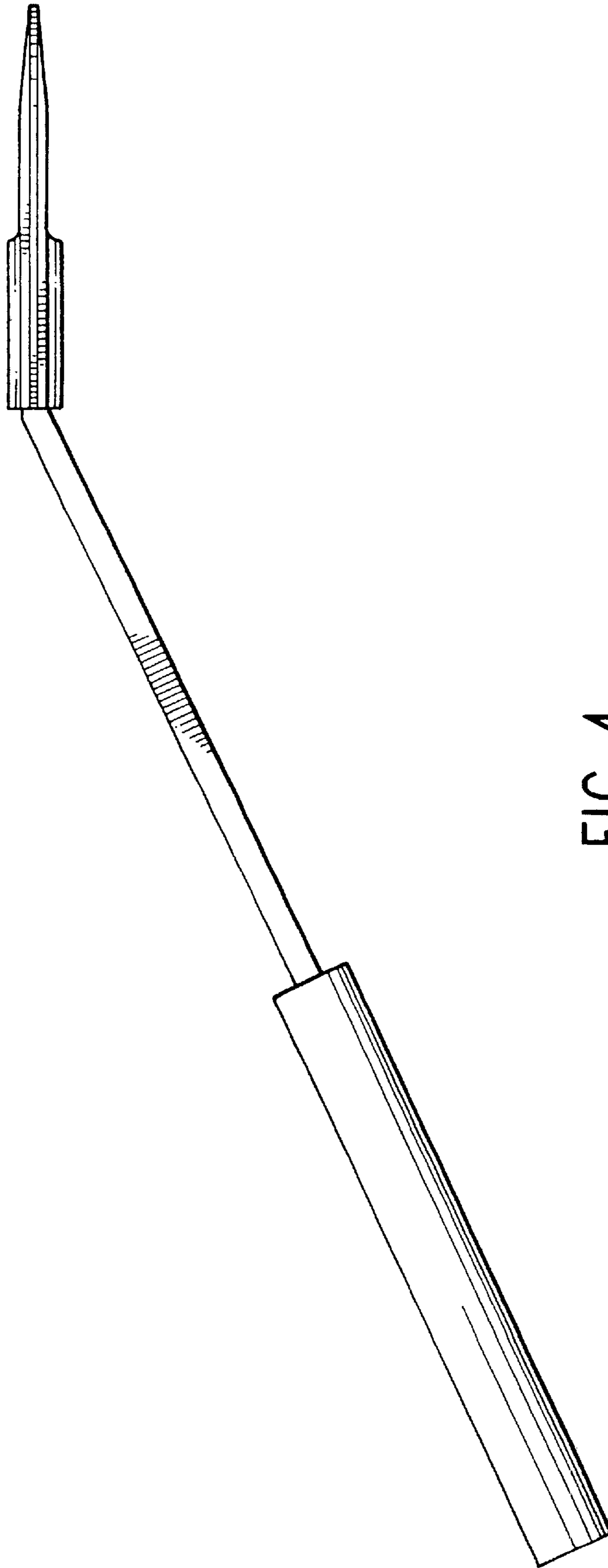


FIG. 4

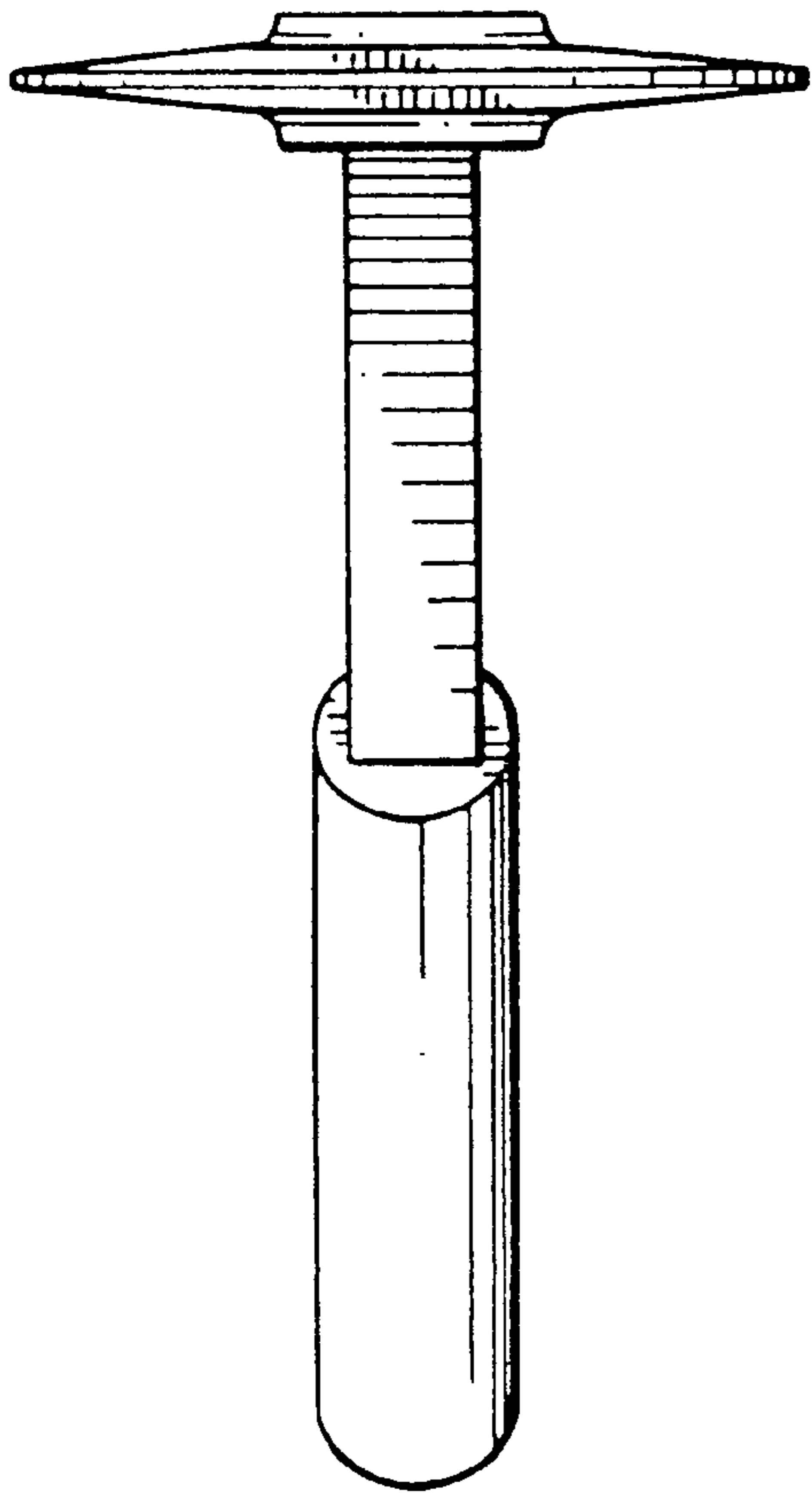


FIG. 5

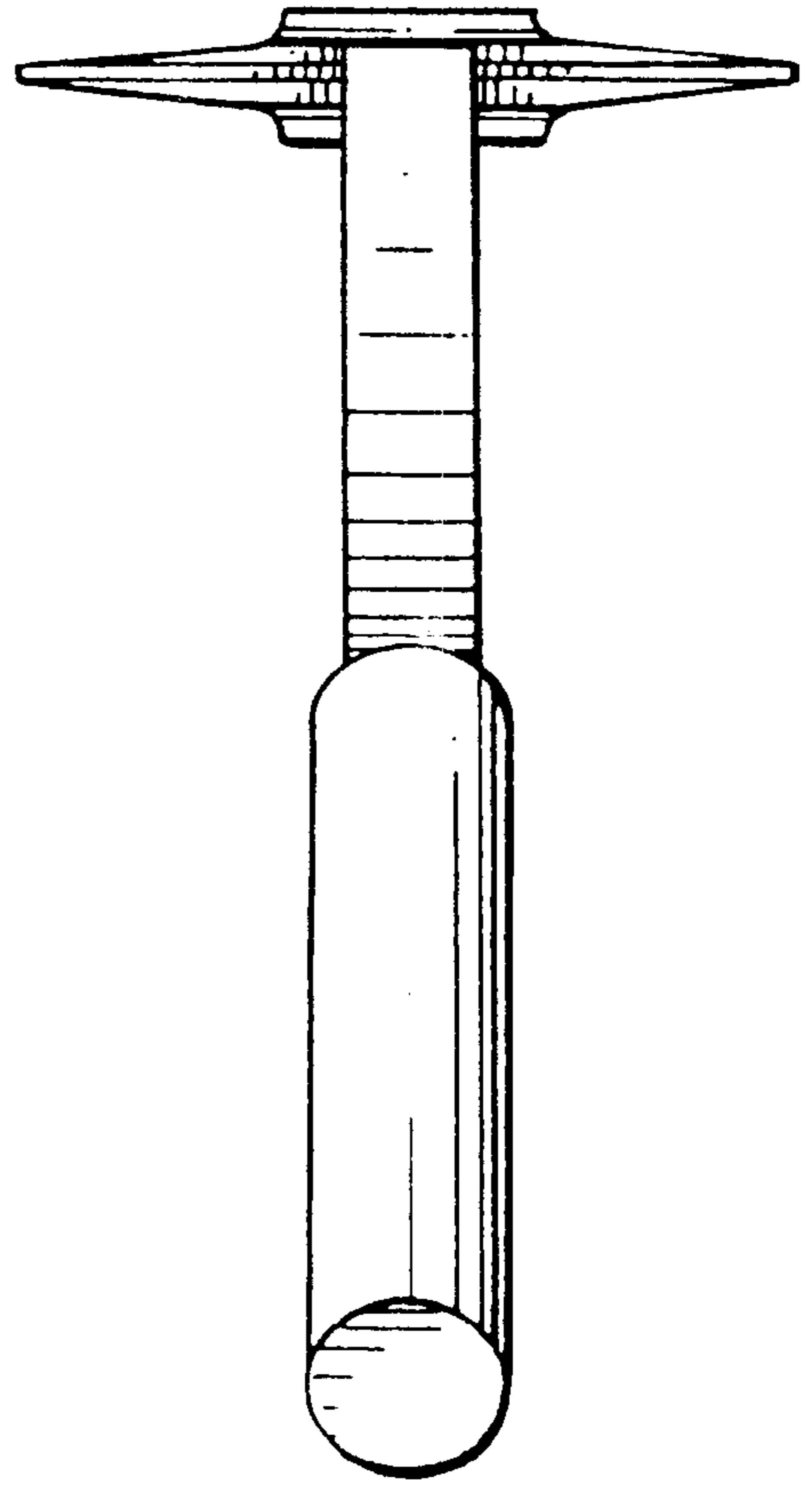


FIG. 6