



US00D467682S

(12) **United States Design Patent**
Gillispie

(10) **Patent No.:** **US D467,682 S**

(45) **Date of Patent:** **** Dec. 24, 2002**

(54) **SPENT CIGARETTE REPOSITORY**

(75) Inventor: **John G. Gillispie**, Glen Dale, WV (US)

(73) Assignee: **Eagle Manufacturing Company**,
Wellsburg, WV (US)

(**) Term: **14 Years**

(21) Appl. No.: **29/158,244**

(22) Filed: **Apr. 1, 2002**

(51) **LOC (7) Cl.** **27-03**

(52) **U.S. Cl.** **D27/124**

(58) **Field of Search** D27/122, 123,
D27/124; 220/576; D32/35; 4/255.11, 255.09

5,924,425 A	7/1999	Leudecke	131/231
D414,889 S	10/1999	Luedecke	D27/105
6,145,135 A	* 11/2000	Pool et al.	4/255.09
6,192,525 B1	* 2/2001	Tash	4/255.11
D454,673 S	* 3/2002	Hwang	D32/35
D455,519 S	* 4/2002	Luedecke et al.	D27/124
D456,574 S	* 4/2002	Chen	D32/35

* cited by examiner

Primary Examiner—Jennifer Rivard

(74) *Attorney, Agent, or Firm*—Armstrong, Westerman & Hattori, LLP

(57) **CLAIM**

The ornamental design for a spent cigarette repository, as shown and described.

DESCRIPTION

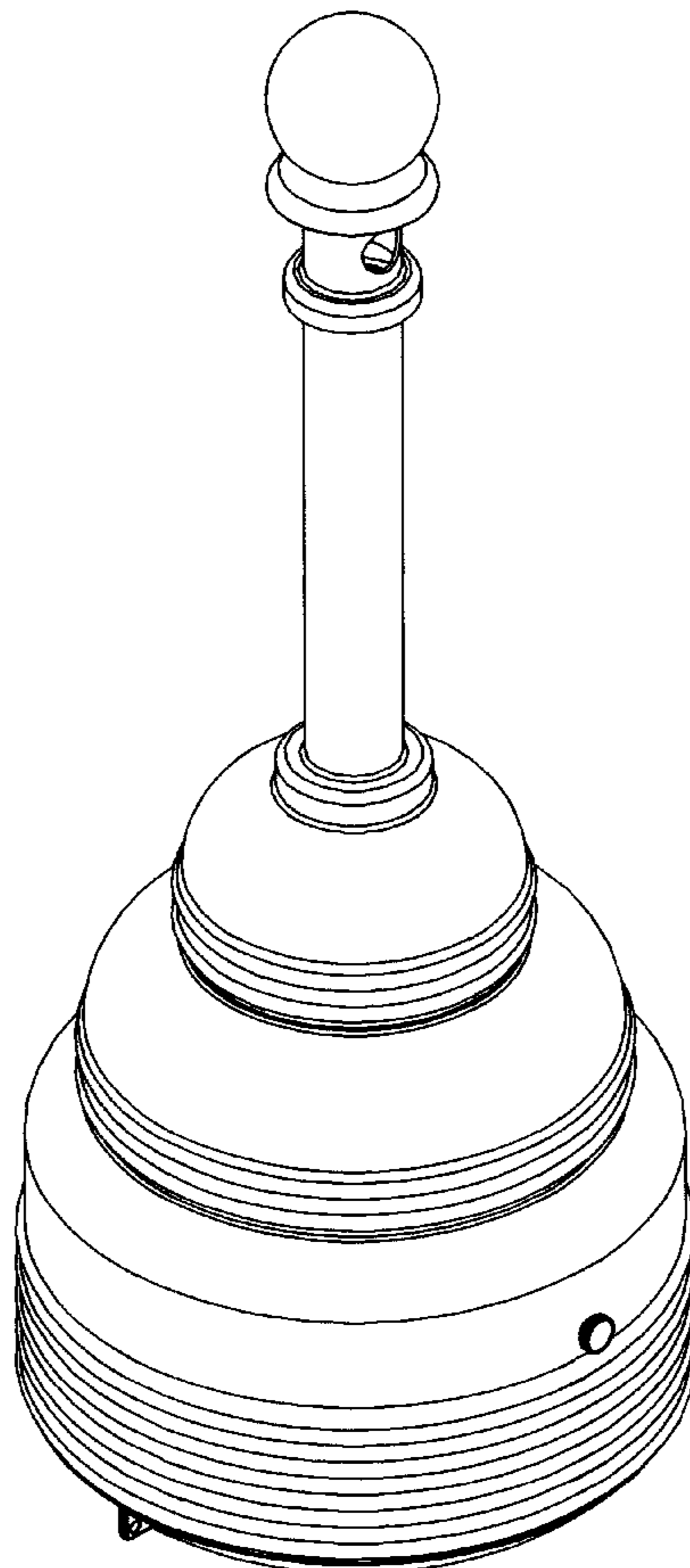
FIG. 1 is a perspective view of the spent cigarette repository; FIG. 2 is a front view thereof, the rear view being a mirror image; FIG. 3 is a side elevational view thereof, the opposite side being a mirror image; FIG. 4 is a top view thereof; and, FIG. 5 is a bottom view thereof.

1 Claim, 4 Drawing Sheets

(56) **References Cited**

U.S. PATENT DOCUMENTS

1,646,086 A	10/1927	Fleming	
1,646,099 A	10/1927	Mitchell	
1,662,171 A	3/1928	Savery	
2,567,166 A	9/1951	Dick 232/43.2
4,142,537 A	3/1979	Fenelon 131/240
D306,259 S	2/1990	Daucourt D9/385
D389,600 S	1/1998	Leudecke D27/118
D397,496 S	8/1998	Luedecke D27/123



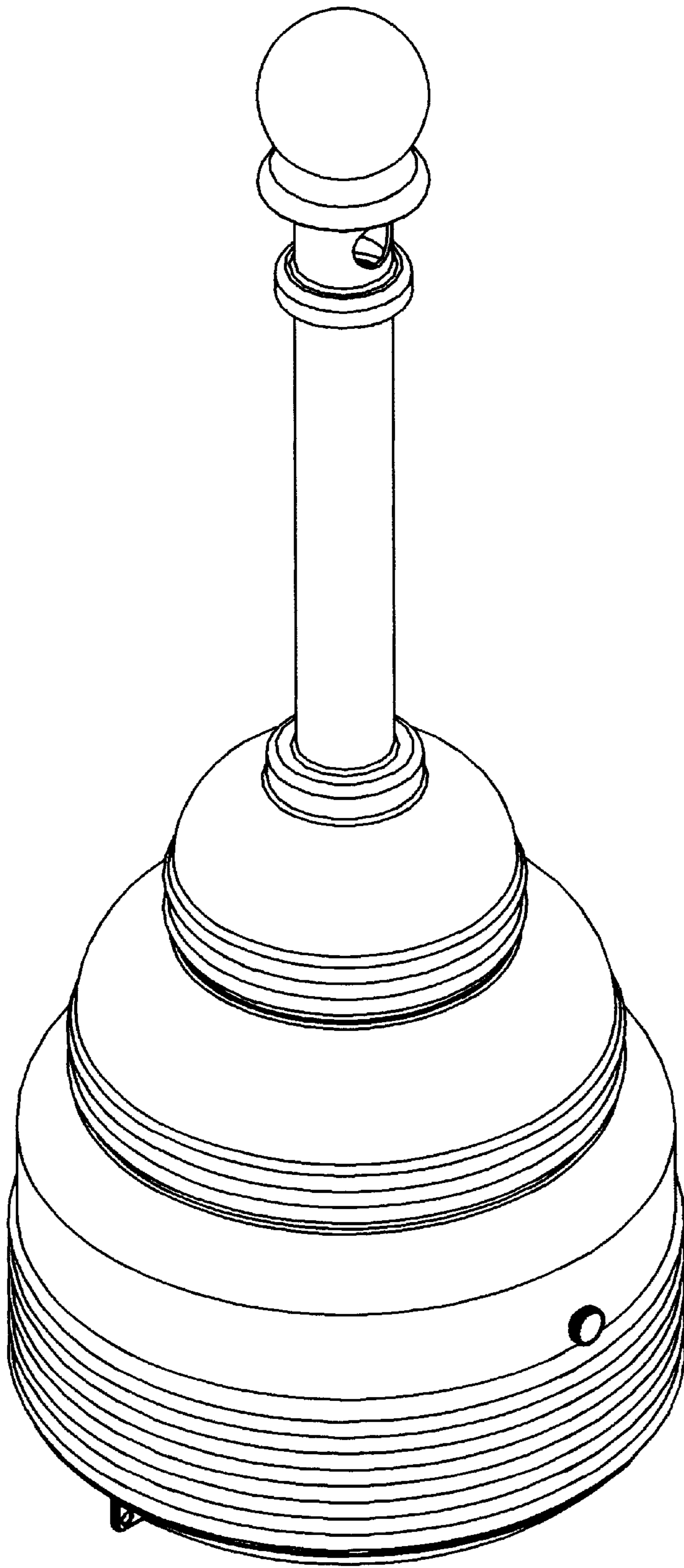


FIG. 1

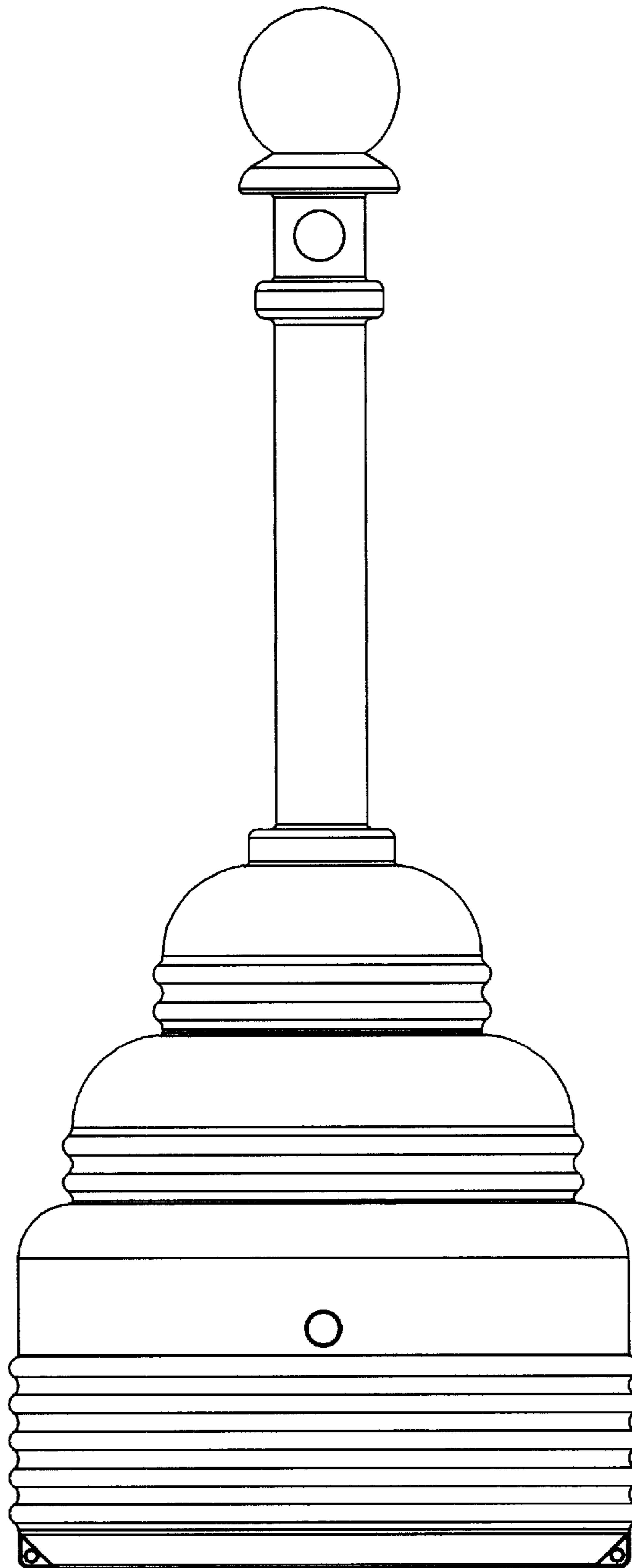


FIG. 2

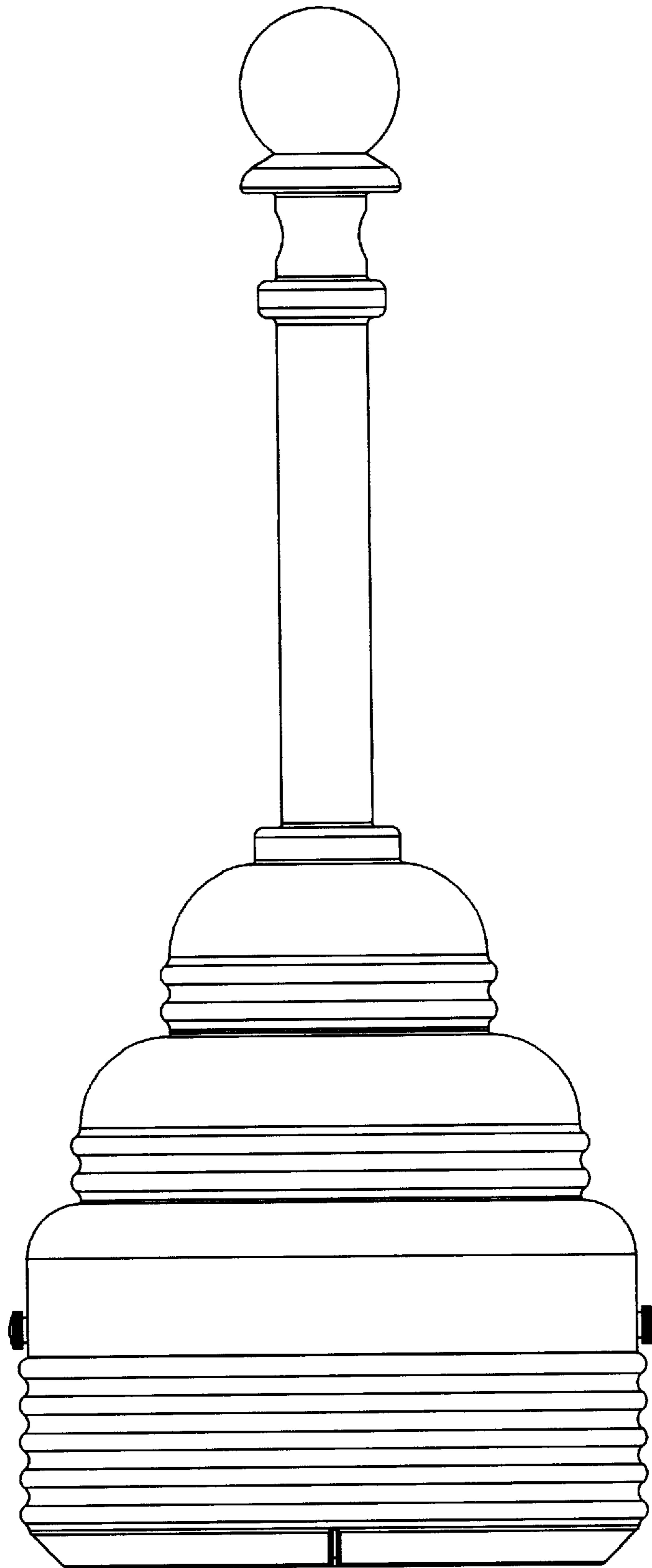


FIG. 3

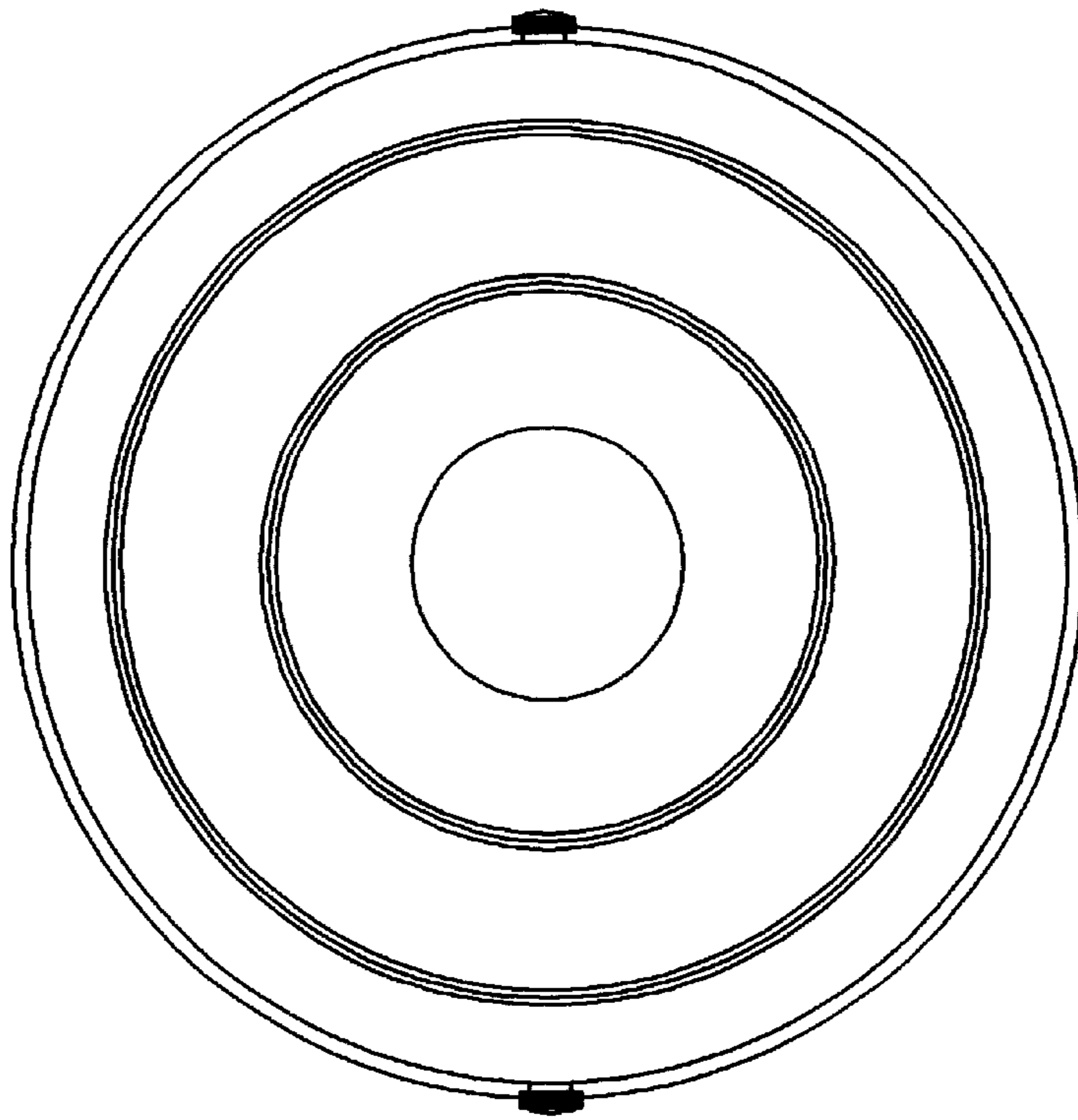


FIG. 4

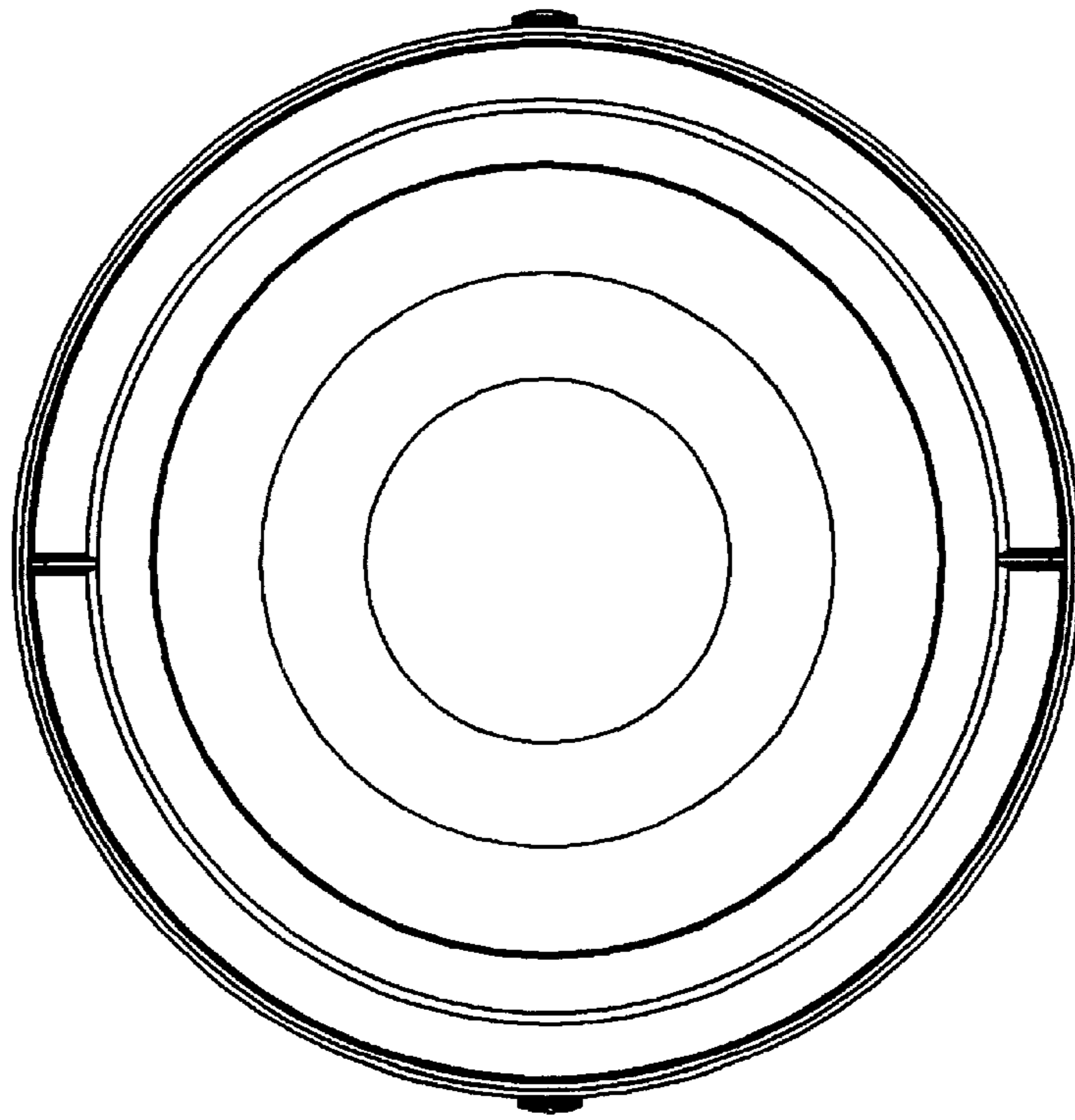


FIG. 5