



US00D467680S

(12) **United States Design Patent**
Krieger et al.

(10) **Patent No.:** **US D467,680 S**

(45) **Date of Patent:** **** Dec. 24, 2002**

(54) **OLD WORLD LAMP**

D157,548 S * 2/1950 Versen D26/65
2,745,950 A * 5/1956 Tseng D26/107 X

(75) Inventors: **Michael Krieger**, Miami Beach, FL
(US); **Kevin Ellsworth**, Hollywood, FL
(US)

* cited by examiner

Primary Examiner—Alan P. Douglas

Assistant Examiner—Linda Brooks

(73) Assignee: **Vector Products, Inc.**, Ft. Lauderdale,
FL (US)

(74) *Attorney, Agent, or Firm*—Venable; Robert Kinberg

(**) Term: **14 Years**

(57) **CLAIM**

The ornamental design for an old world lamp, as shown and described.

(21) Appl. No.: **29/156,561**

DESCRIPTION

(22) Filed: **Mar. 5, 2002**

(51) **LOC (7) Cl.** **26-05**

FIG. 1 is a top-front-right perspective view of the old world lamp showing our new design;

(52) **U.S. Cl.** **D26/107**

FIG. 2 is a front view of the design shown in FIG. 1;

(58) **Field of Search** D26/37-40, 61-66,
D26/93-112; 362/410-414, 806, 194, 195

FIG. 3 is a back view of the design shown in FIG. 1;

FIG. 4 is a right side view of the design shown in FIG. 1;

FIG. 5 is a left side view of the design shown in FIG. 1;

FIG. 6 is a top view of the design shown in FIG. 1; and,

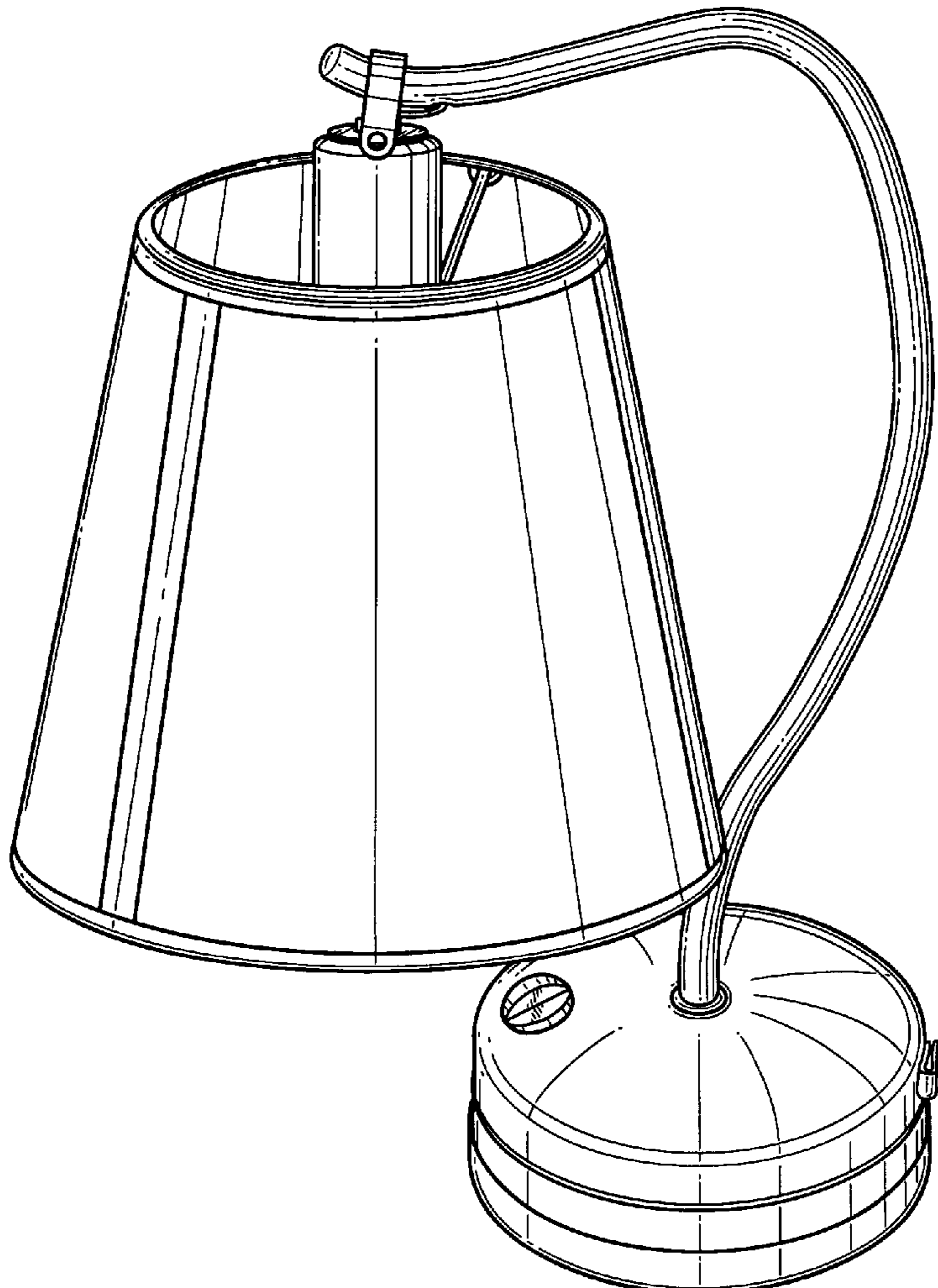
FIG. 7 is a bottom view of the design shown in FIG. 1.

(56) **References Cited**

U.S. PATENT DOCUMENTS

D95,667 S * 5/1935 Dickerson D26/107

1 Claim, 7 Drawing Sheets



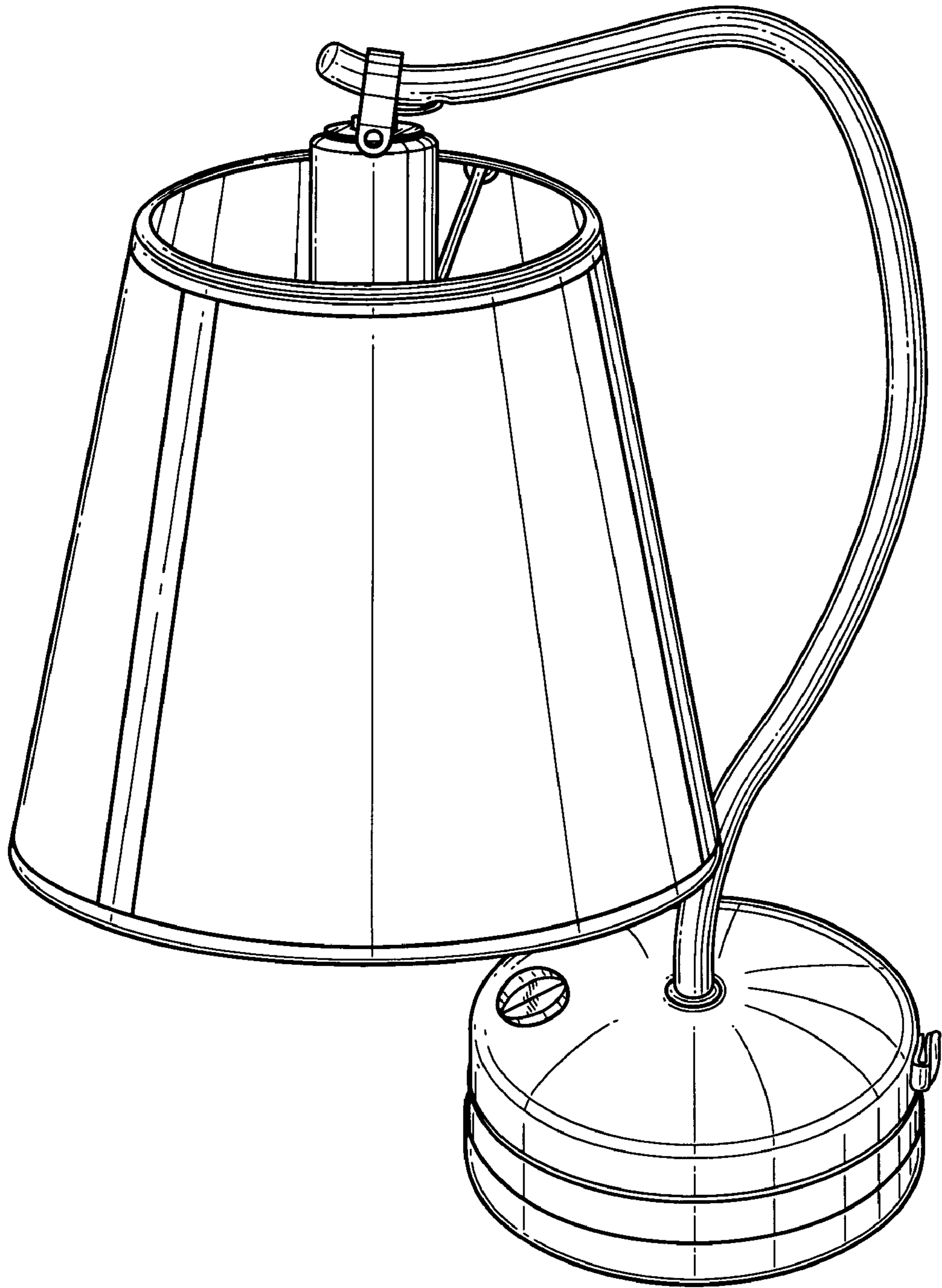


FIG. 1

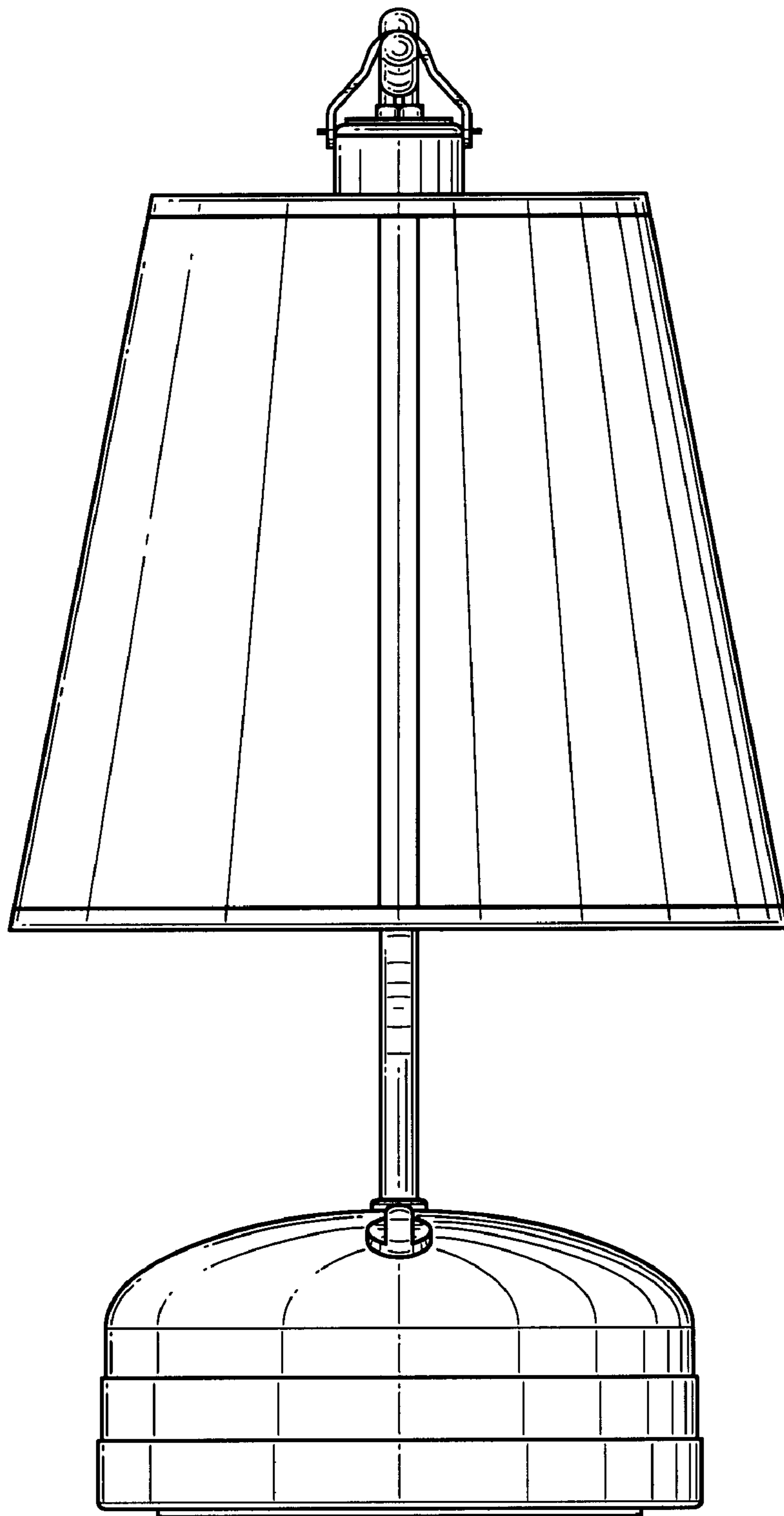


FIG. 2

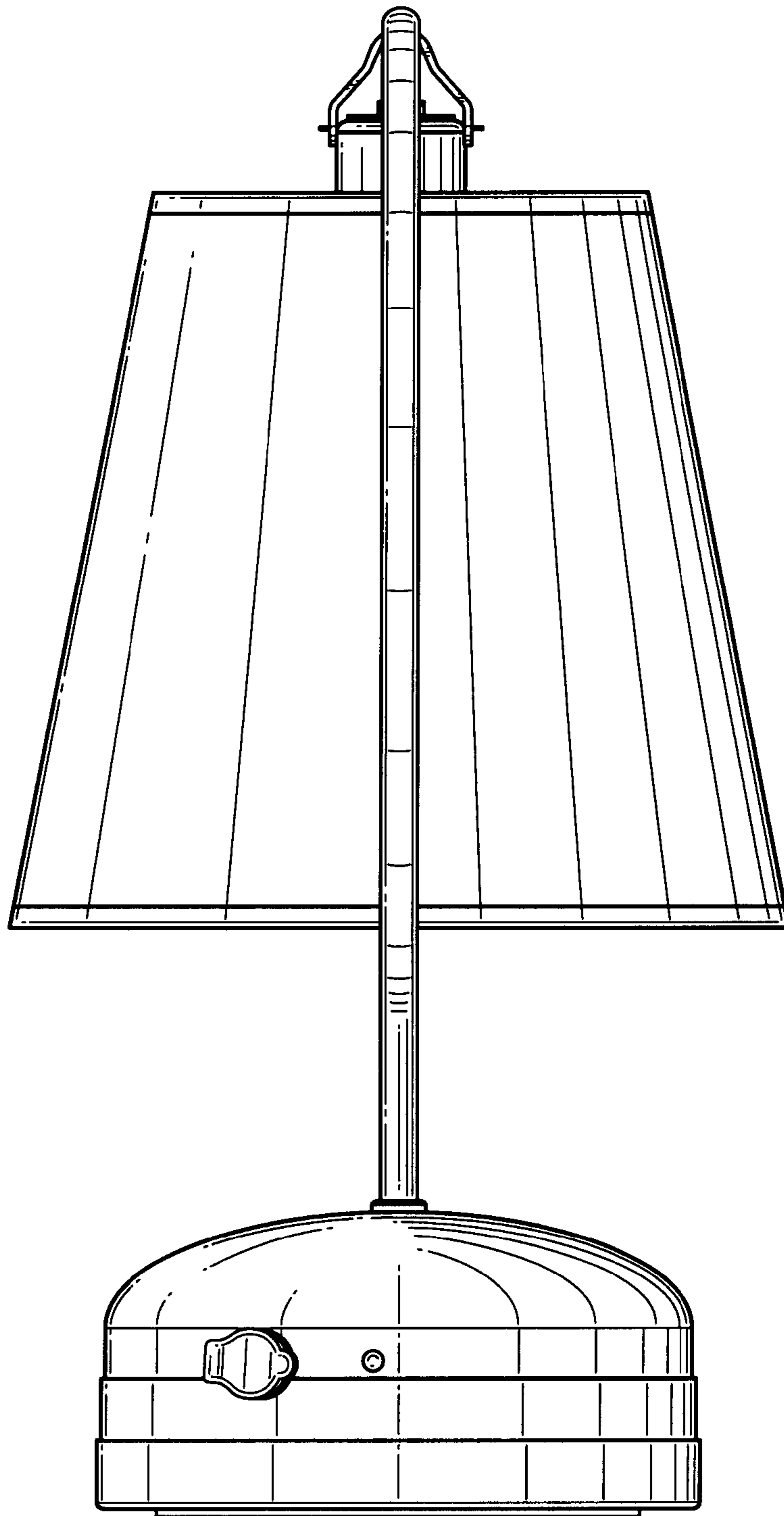


FIG. 3

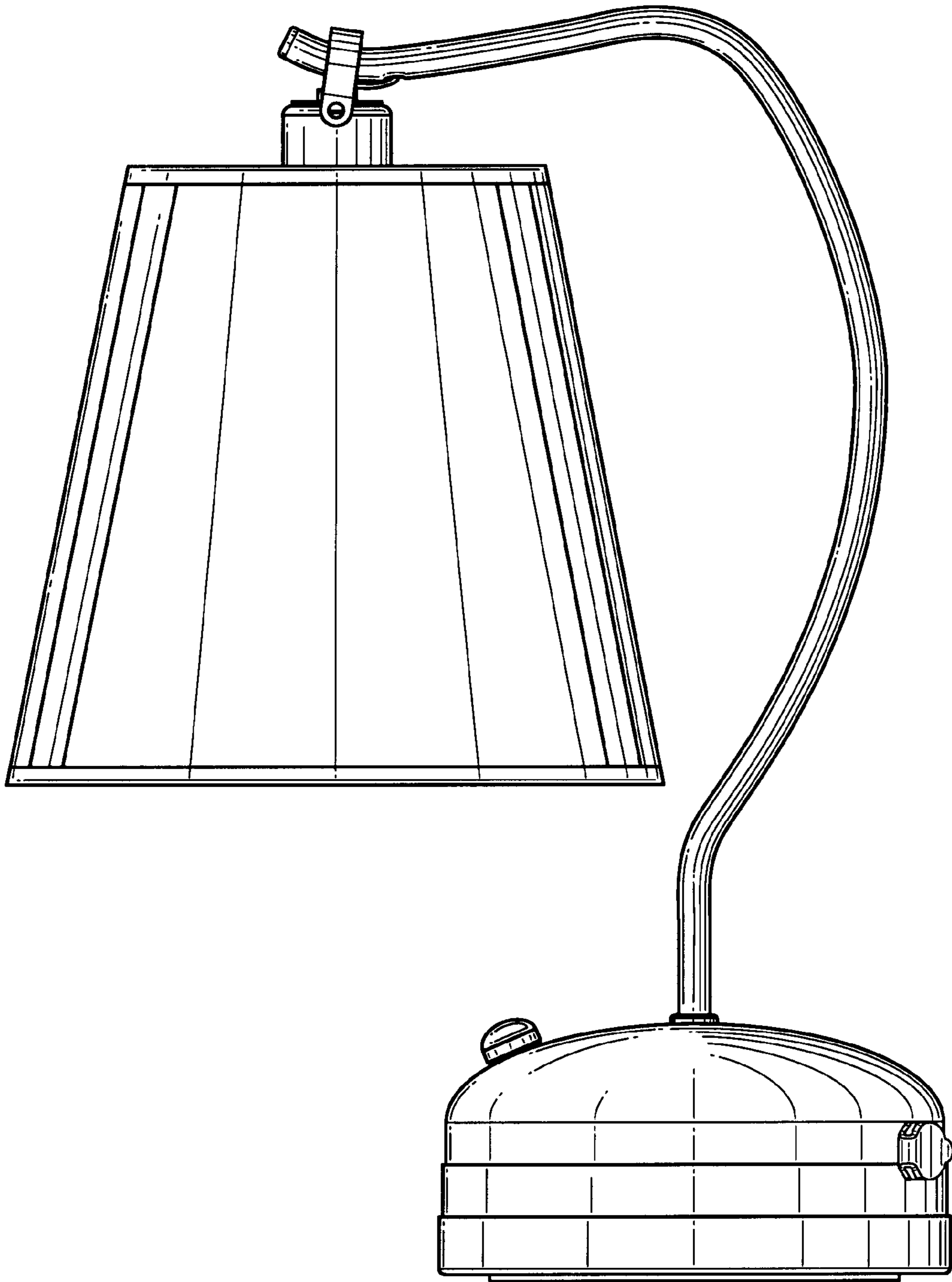


FIG. 4

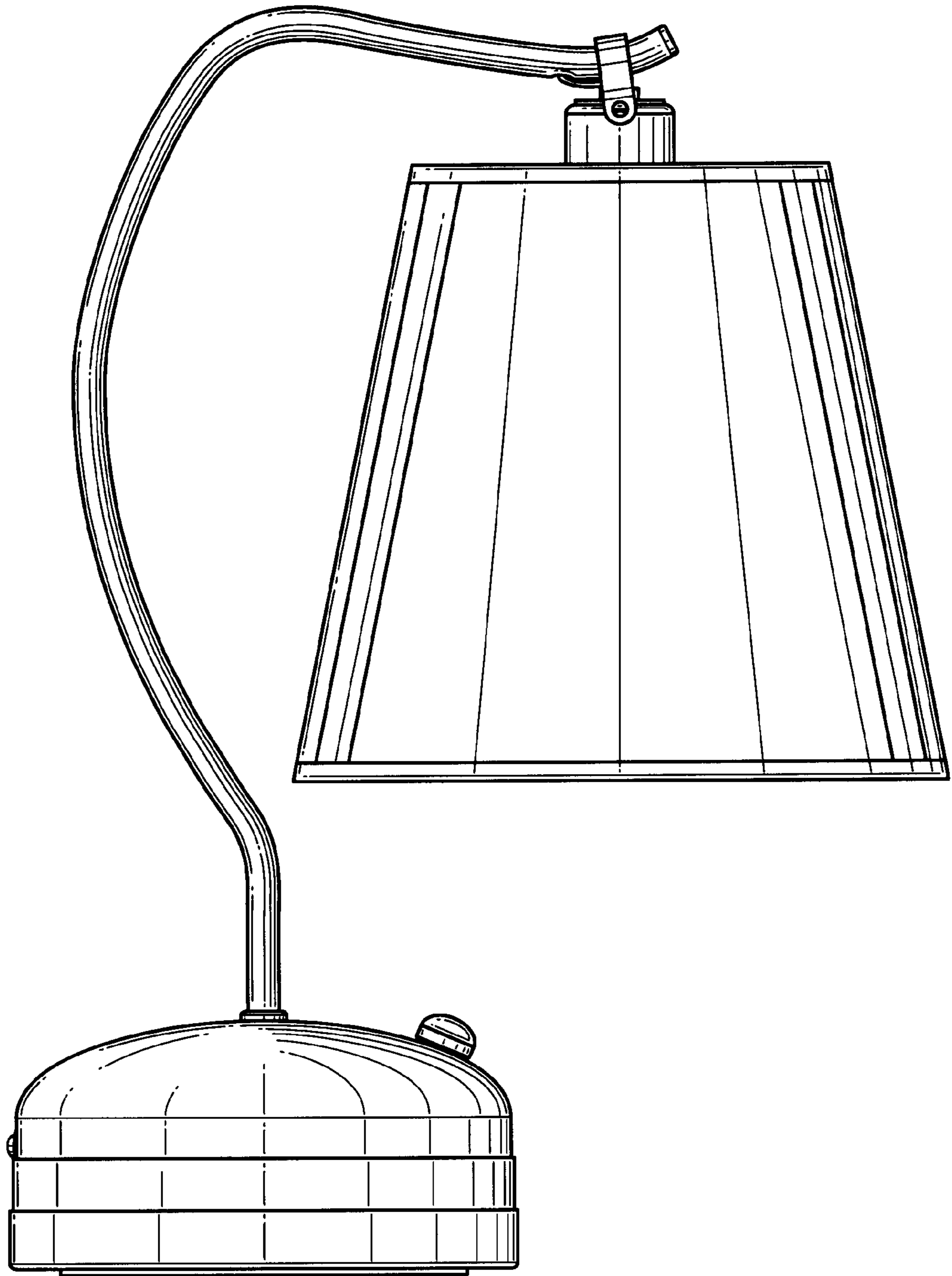


FIG. 5

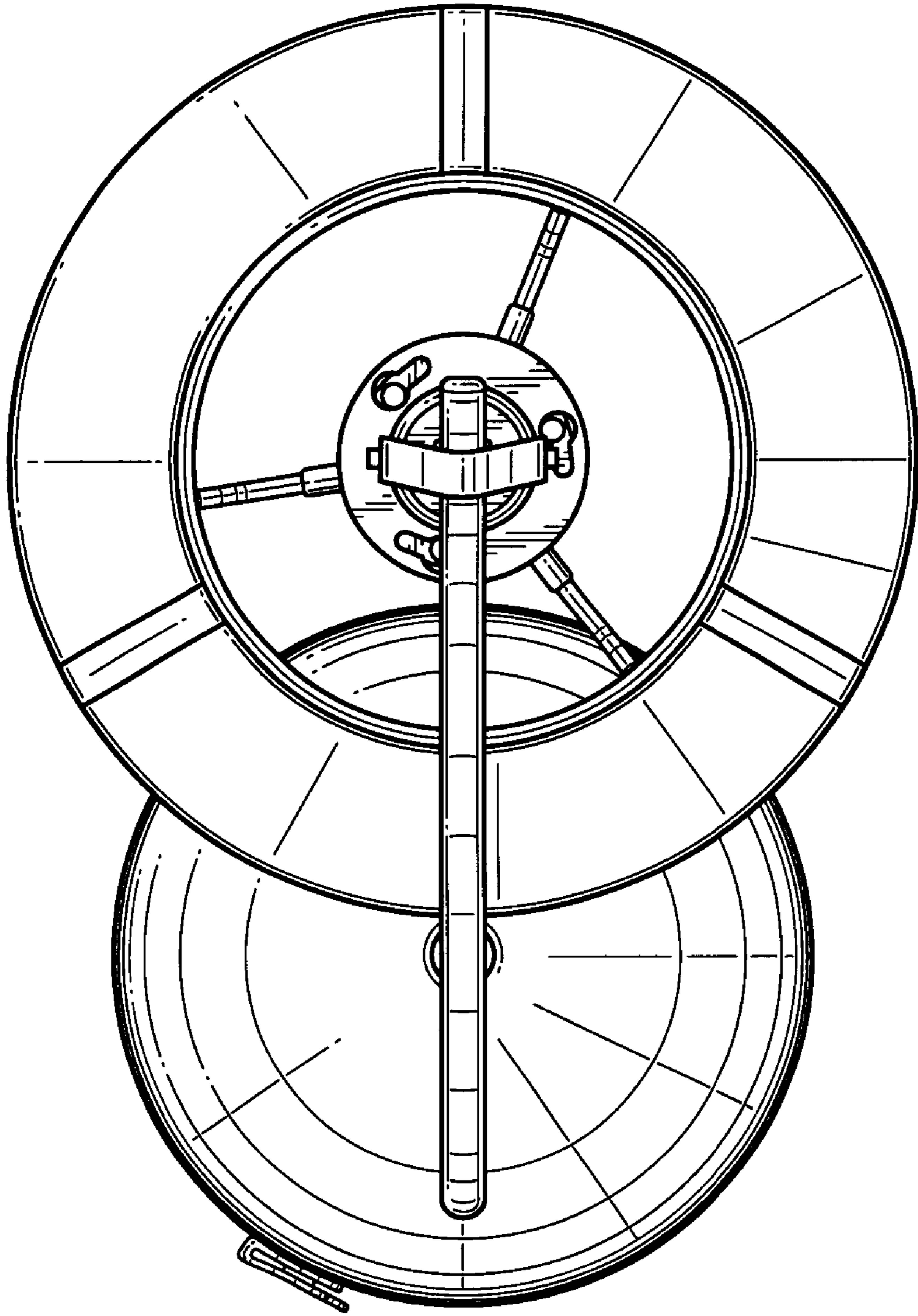


FIG. 6

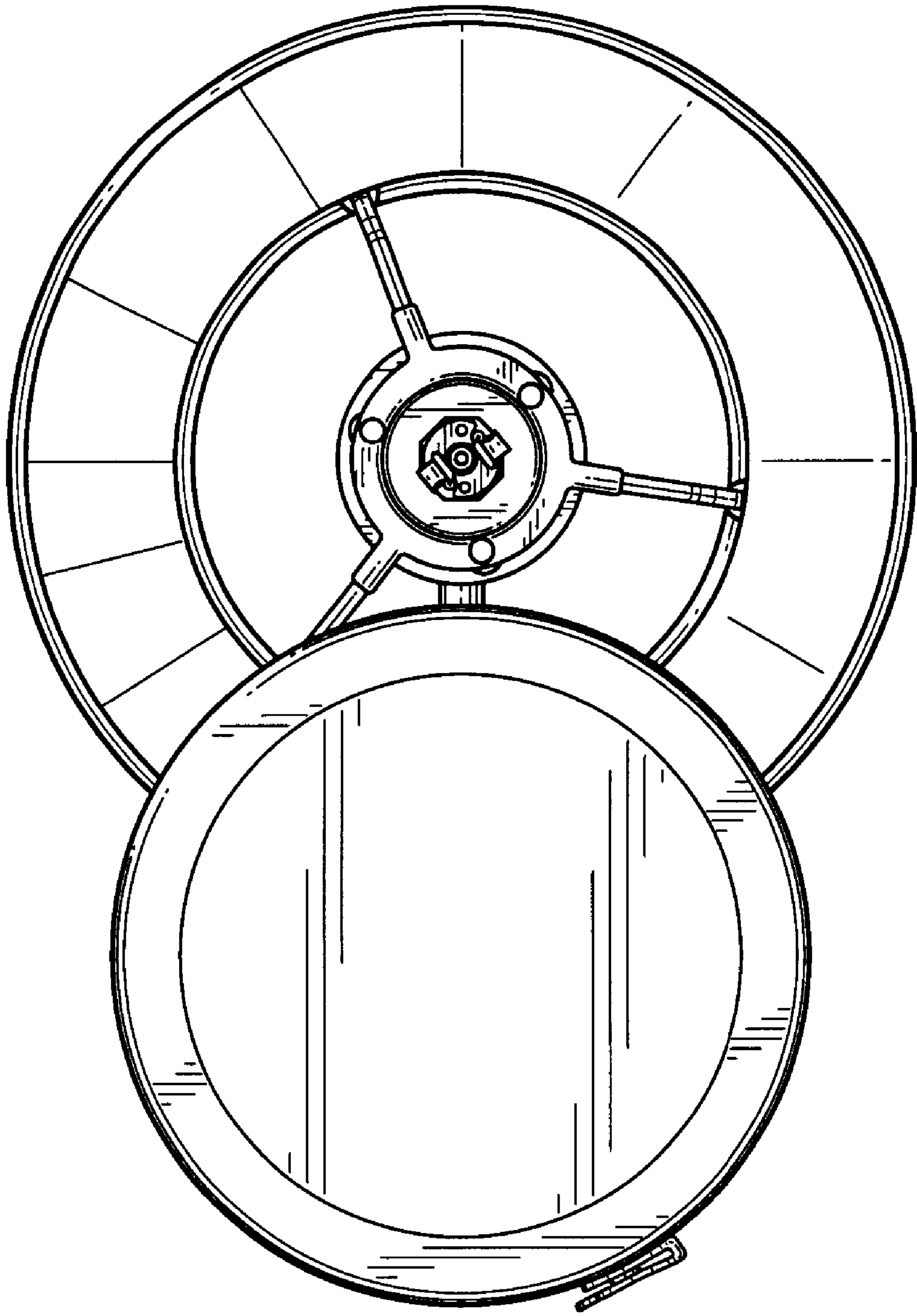


FIG. 7