



US00D467673S

(12) **United States Design Patent**
Yuen

(10) **Patent No.:** **US D467,673 S**

(45) **Date of Patent:** **** Dec. 24, 2002**

(54) **SWIVEL LANTERN**

D460,207 S * 7/2002 Krieger et al. D26/45

* cited by examiner

(76) Inventor: **Se Kit Yuen**, 6/F Yau Lee Centre, 45
Hoi Yuen Road, Kwun Tong, Kowloon
(HK)

Primary Examiner—Marcus A. Jackson
(74) *Attorney, Agent, or Firm*—Raymond Y. Chan; David
and Raymond Patent Group

(**) Term: **14 Years**

(57) **CLAIM**

(21) Appl. No.: **29/157,030**

The ornamental design for a swivel lantern, as shown and described.

(22) Filed: **Mar. 13, 2002**

(30) **Foreign Application Priority Data**

DESCRIPTION

Aug. 24, 2001 (GB) 2104331

FIG. 1 is a front view thereof.

(51) **LOC (7) Cl.** **26-02**

FIG. 2 is a rear view thereof.

(52) **U.S. Cl.** **D26/45**

FIG. 3 is a right end view thereof.

(58) **Field of Search** D26/37-50; 362/157,
362/158, 171, 172, 173, 183-208

FIG. 4 is a left end view thereof.

FIG. 5 is a top view thereof.

FIG. 6 is a bottom view thereof.

(56) **References Cited**

FIG. 7 is a front view with handle shown in an alternative position.

U.S. PATENT DOCUMENTS

D431,662 S * 10/2000 Krieger D26/45

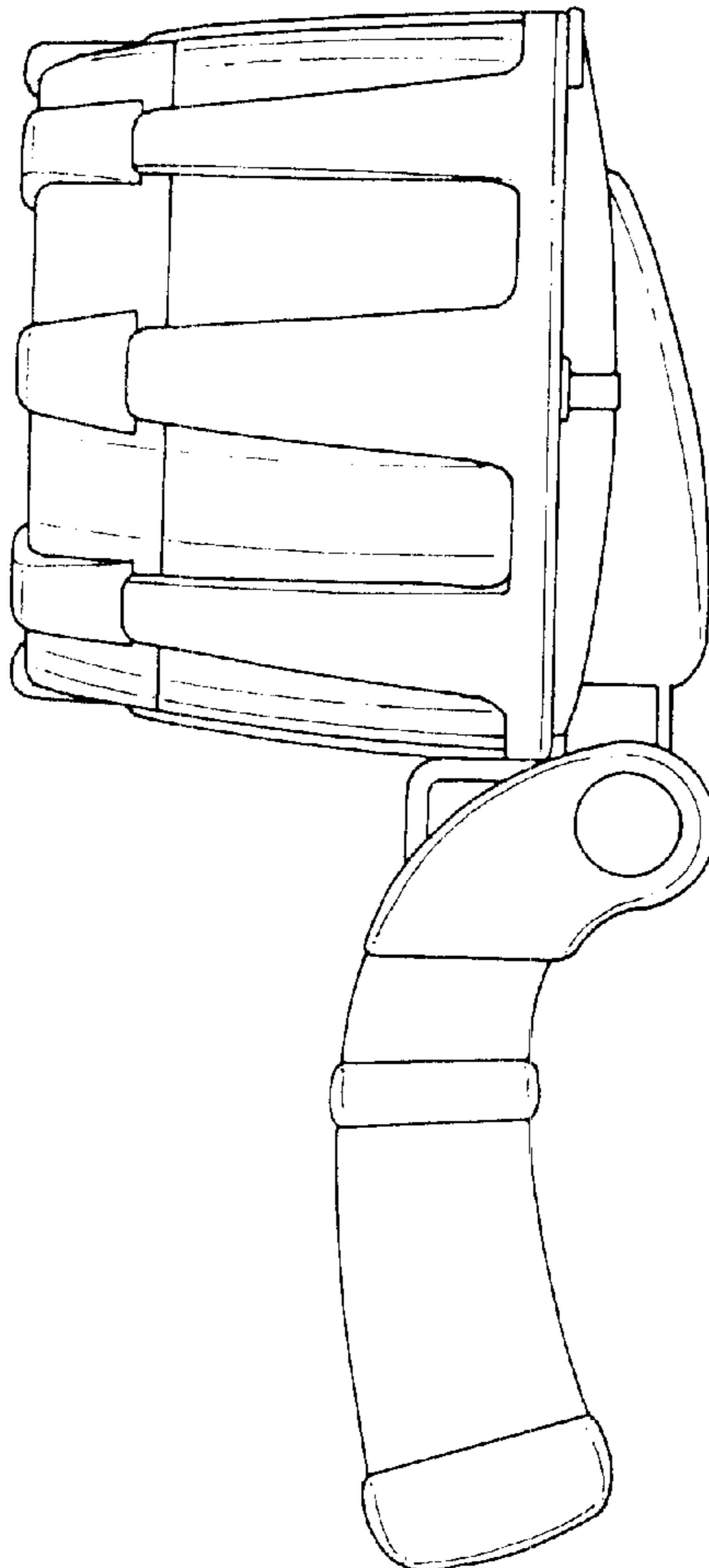
FIG. 8 is a side view with handle shown in an alternative position; and,

D438,997 S * 3/2001 Yuen D26/45

FIG. 9 is a rear view with handle shown in an alternative position.

D441,474 S * 5/2001 Poon D26/45

1 Claim, 9 Drawing Sheets



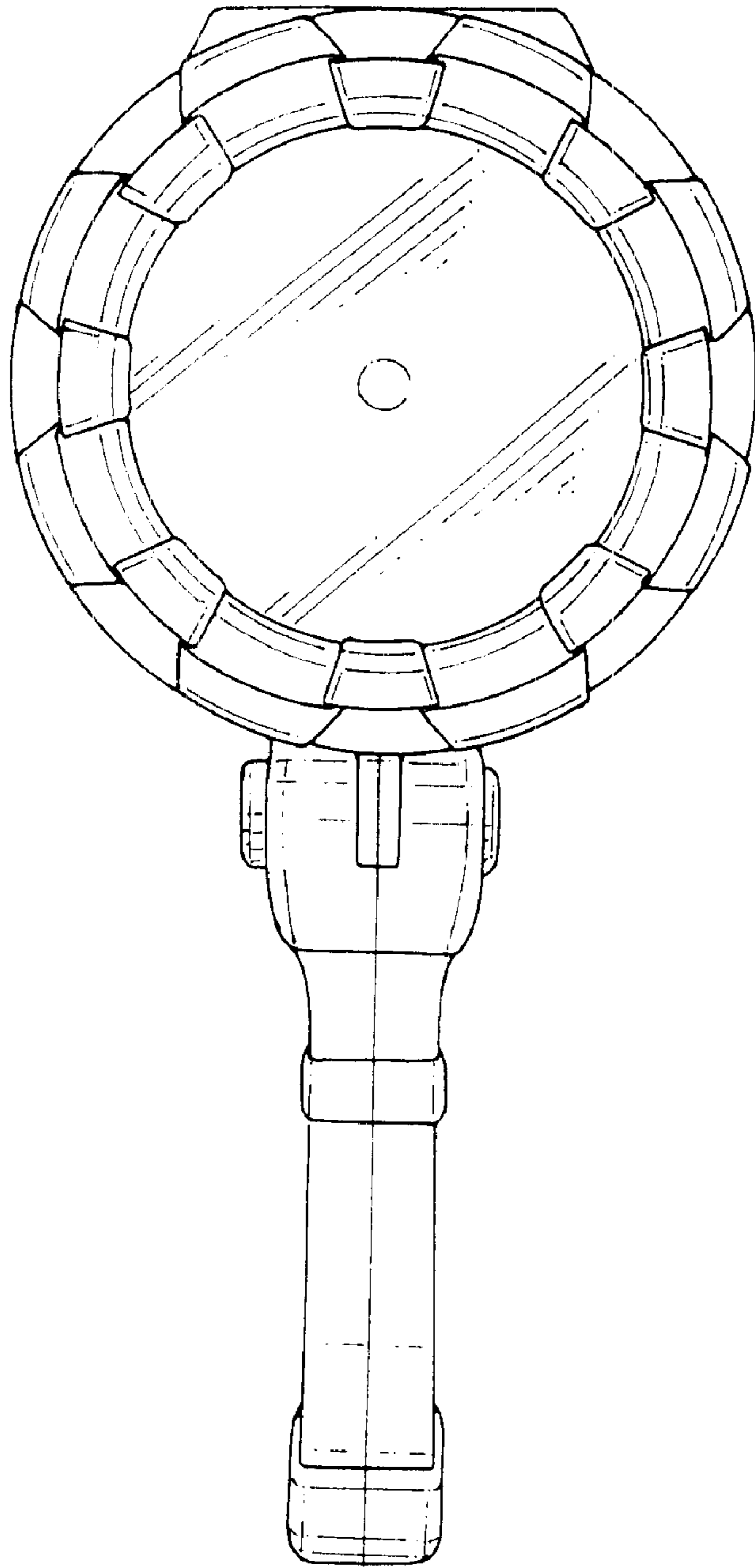


FIG. 1

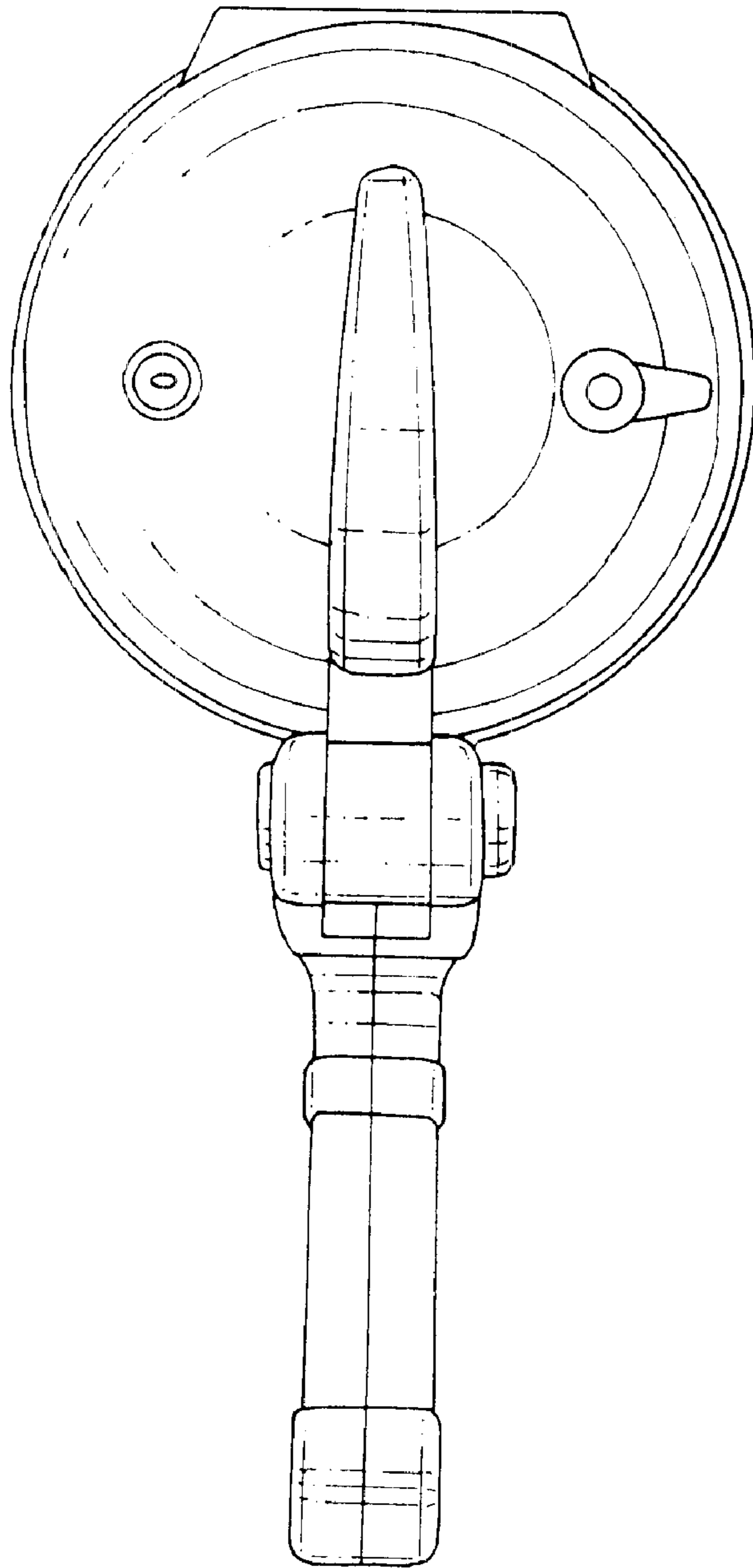


FIG. 2

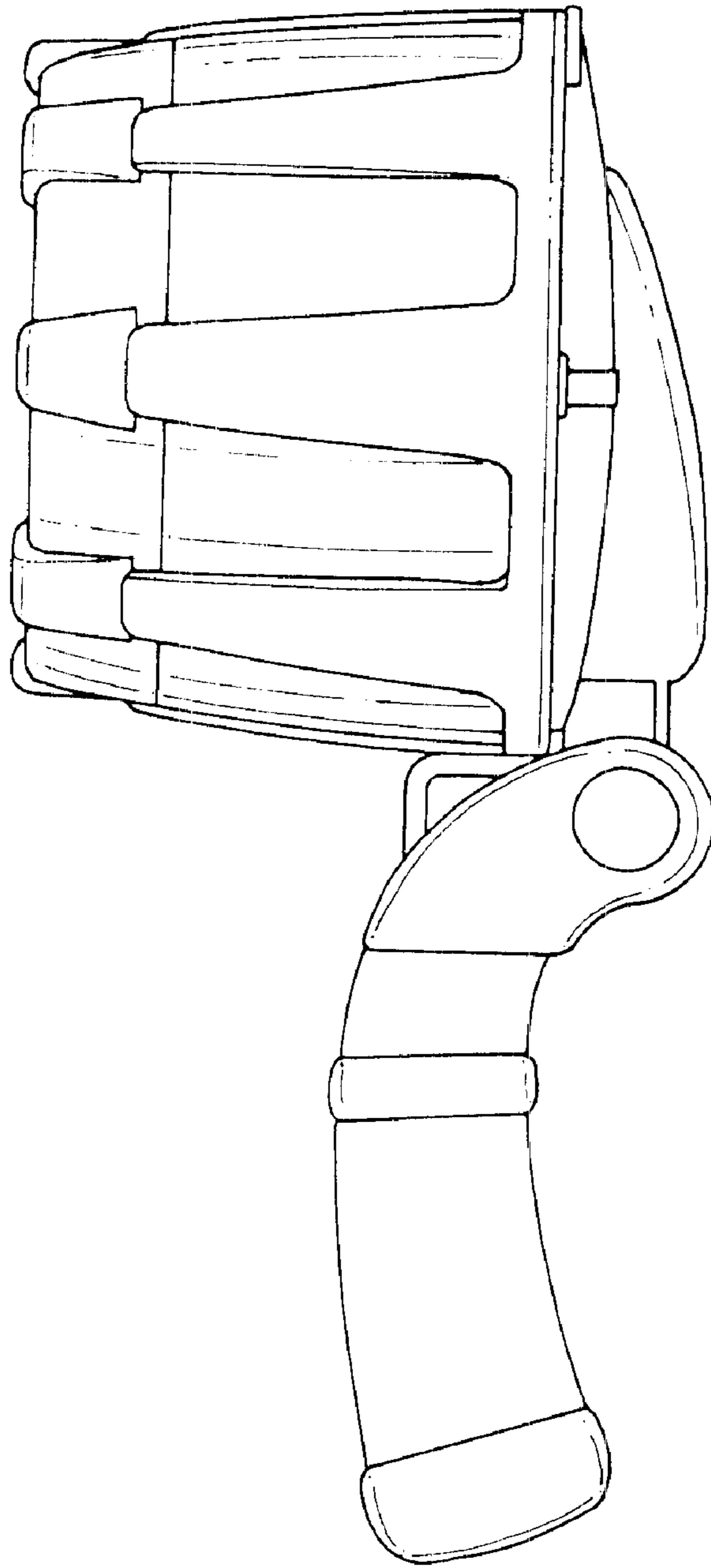


FIG. 3

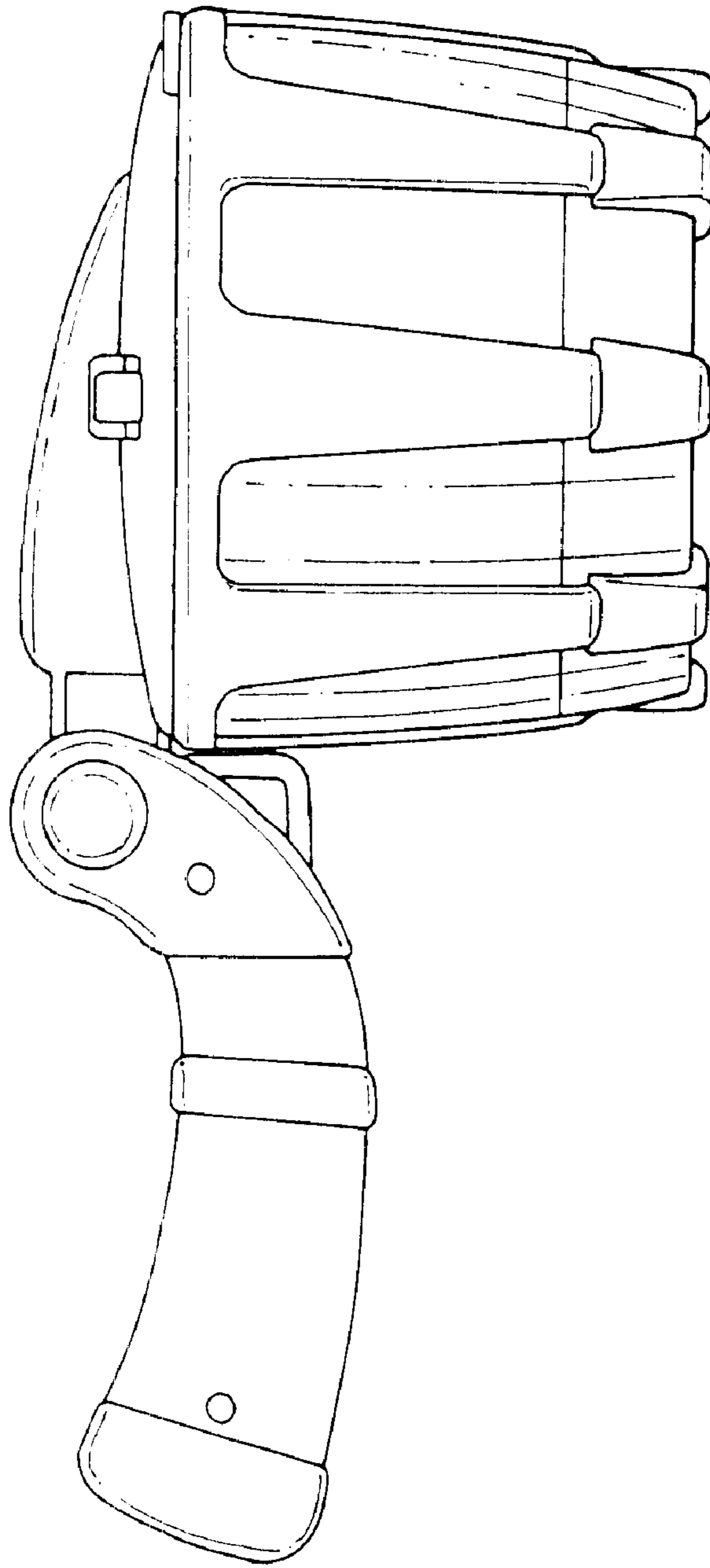


FIG. 4

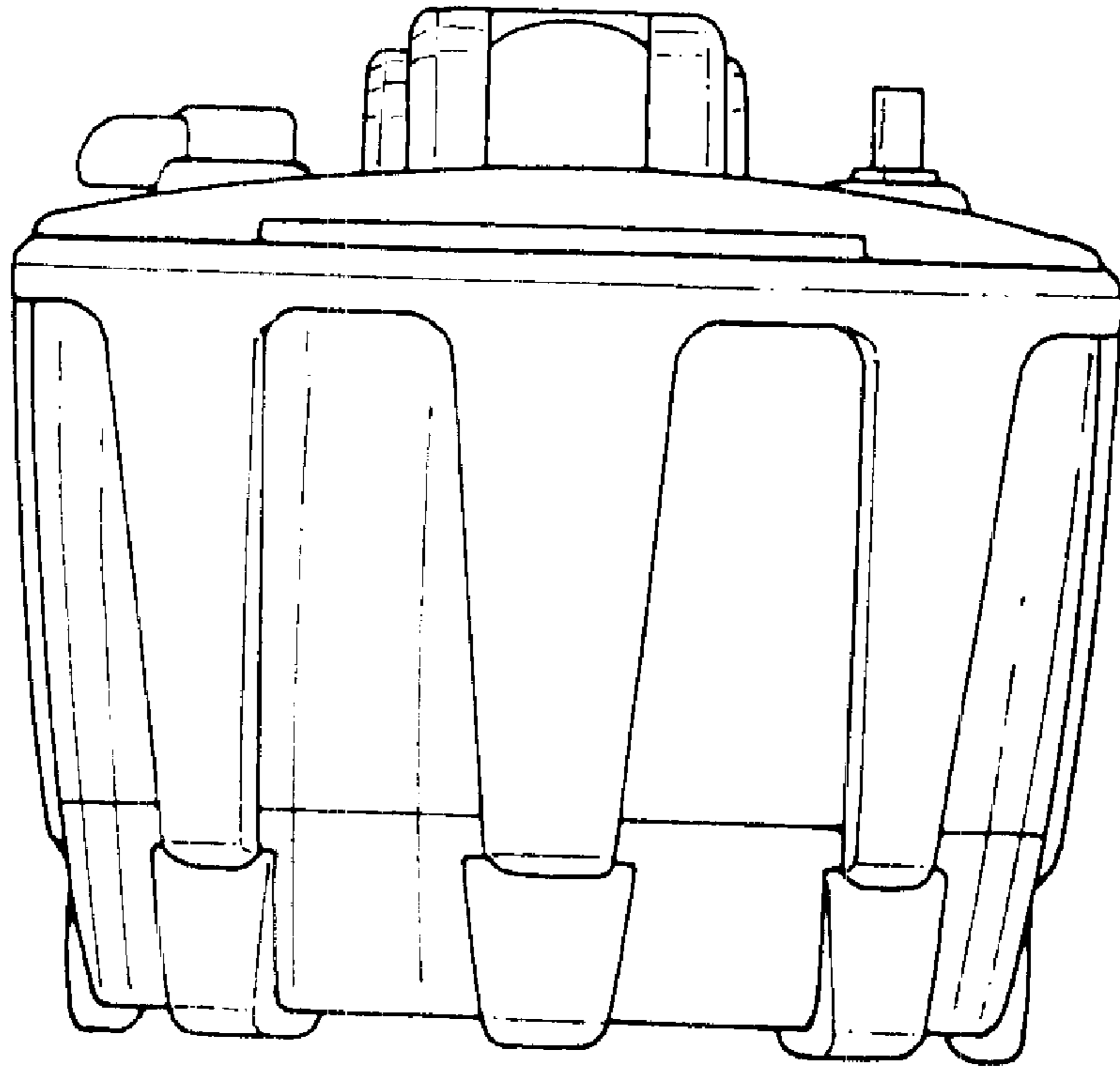


FIG. 5

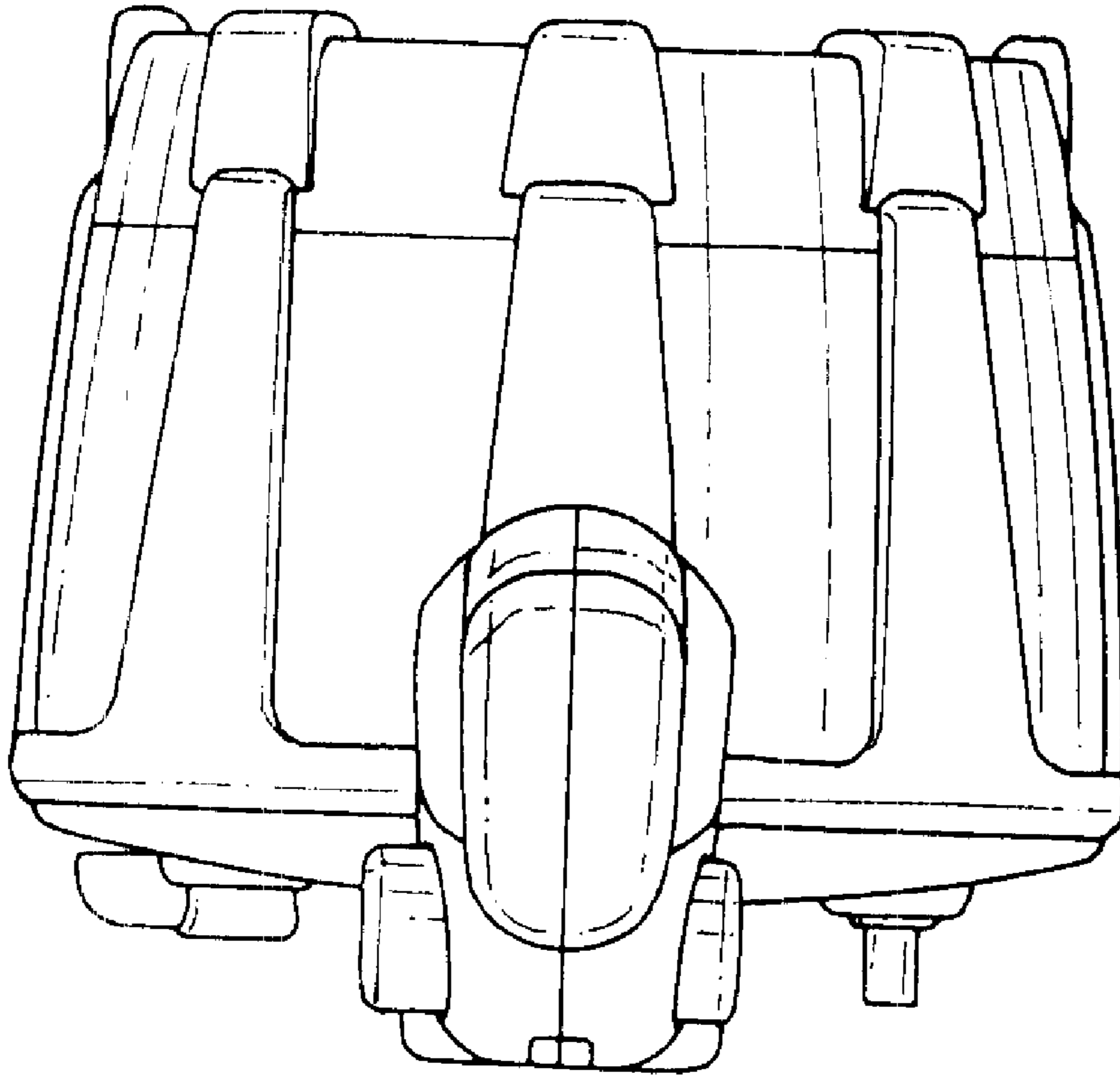


FIG. 6

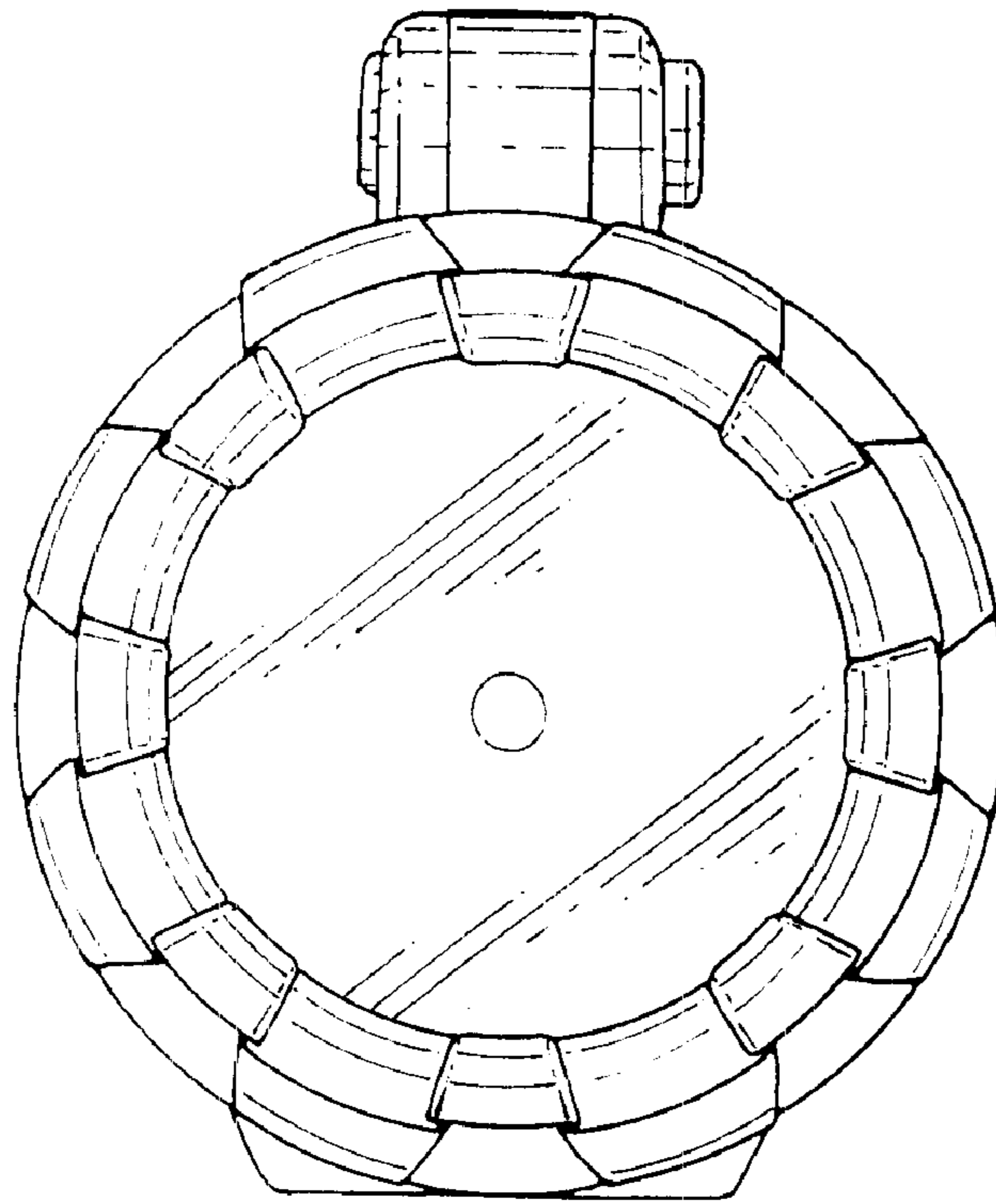


FIG. 7

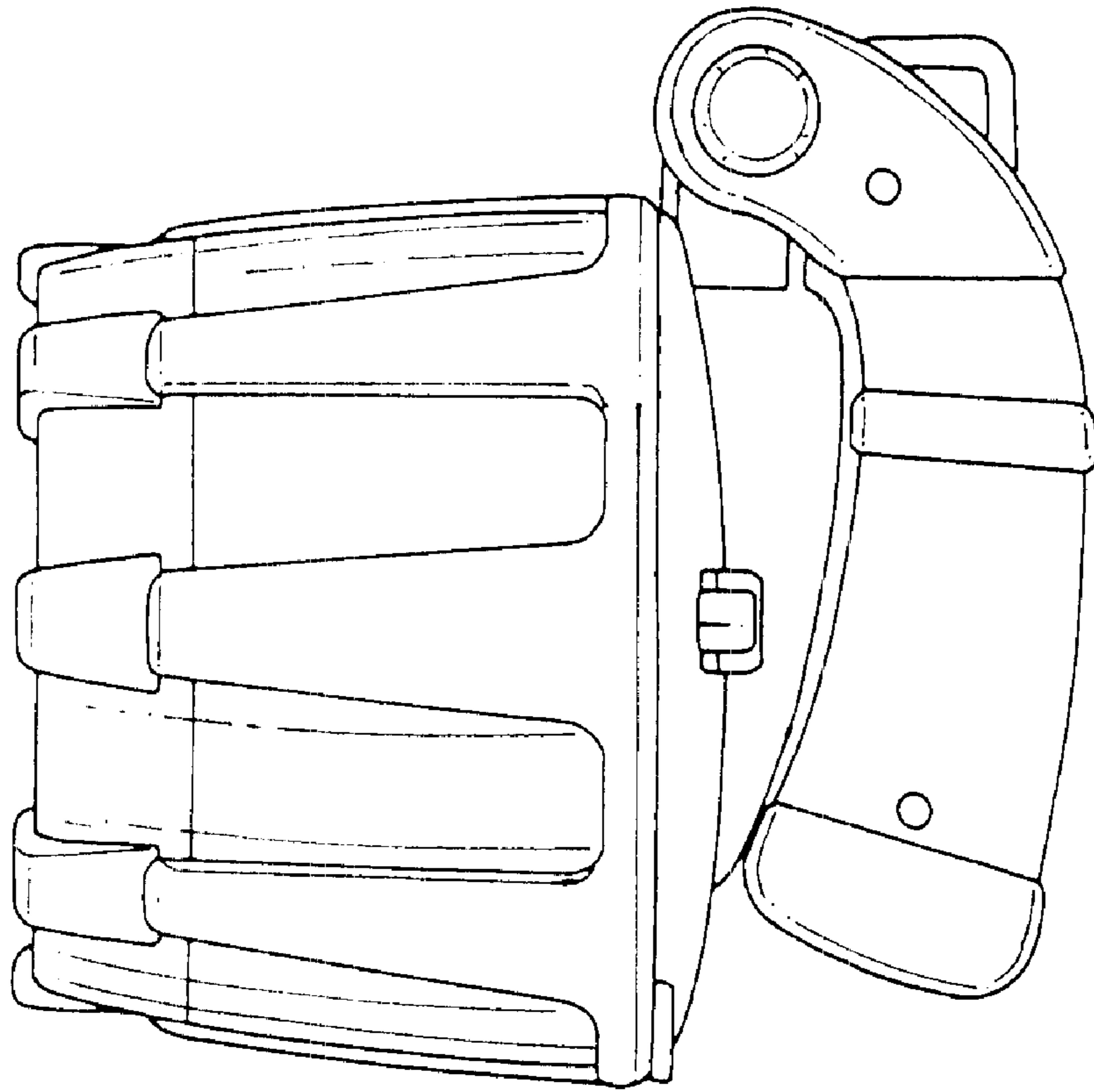


FIG. 8

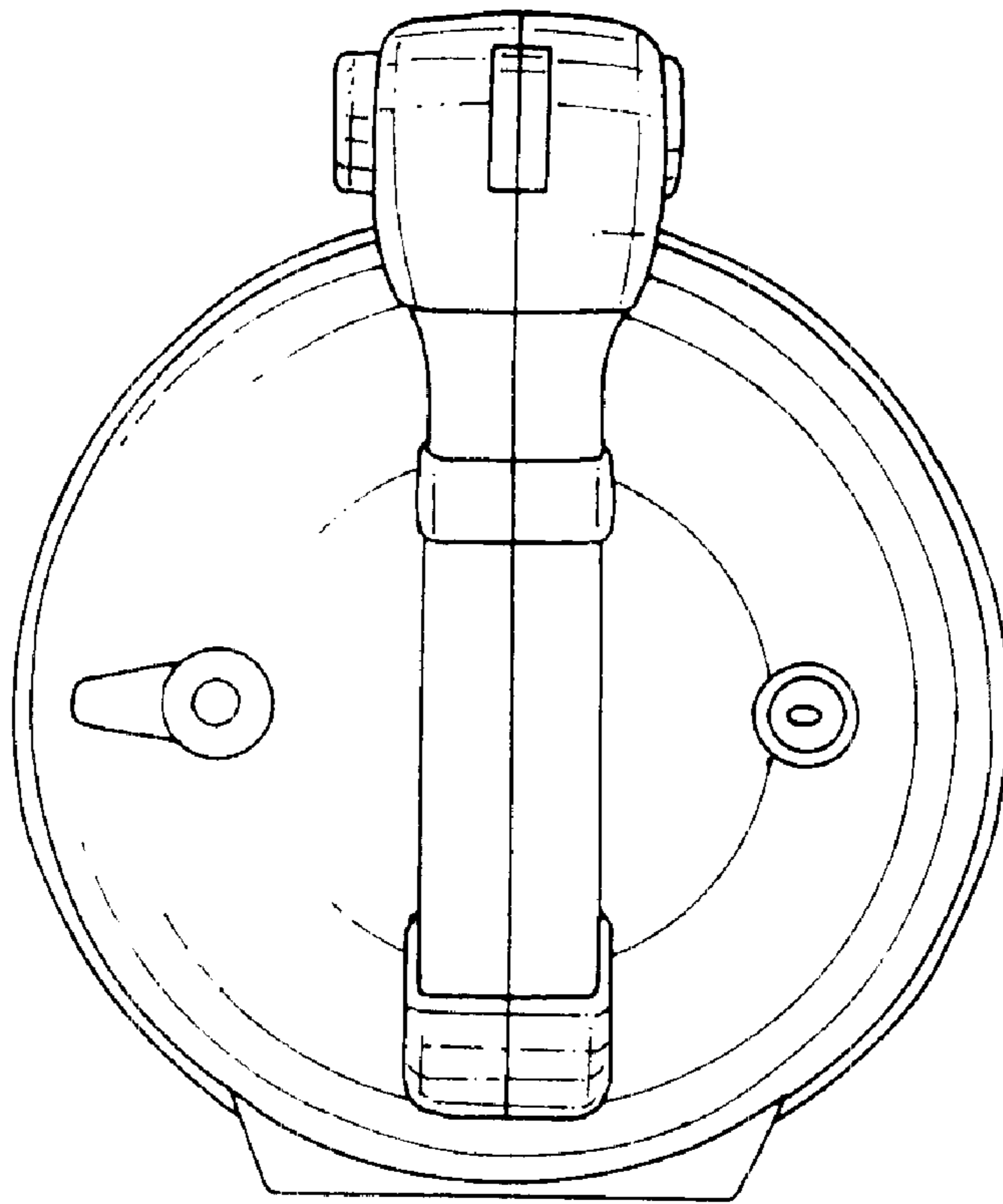


FIG. 9