



US00D467668S

(12) **United States Design Patent**
Slagnes

(10) **Patent No.:** **US D467,668 S**

(45) **Date of Patent:** **** Dec. 24, 2002**

(54) **BUILDING BLOCK WITH PROFILED EDGES**

D387,183 S * 12/1997 VonDross D25/114
D387,433 S * 12/1997 Youssefian D25/114
D392,052 S * 3/1998 Youssefian D25/118

(75) Inventor: **Steinar Slagnes**, Aheim (NO)

FOREIGN PATENT DOCUMENTS

(73) Assignee: **A/S Olivin**, Aheim (NO)

DE 2212891 * 3/1972
NO 55497 12/1972
NO 55498 12/1972
NO 55499 12/1972

(**) Term: **14 Years**

(21) Appl. No.: **29/123,090**

* cited by examiner

(22) Filed: **May 10, 2000**

Primary Examiner—Louis S. Zarfaz
Assistant Examiner—Robert A. Delehanty

(30) **Foreign Application Priority Data**

Nov. 10, 1999 (NO) 99 0801

(57) **CLAIM**

(51) **LOC (7) Cl.** **25-01**

I claim the ornamental design for a building block with profiled edges, substantially as shown and described.

(52) **U.S. Cl.** **D25/113**

(58) **Field of Search** D25/102, 112–115,
D25/164, 199; D21/484–486, 500–502;
405/16, 272–273, 284; 404/29–30, 34, 40–42;
52/102, 574–581, 596, 598–599, 603–612

DESCRIPTION

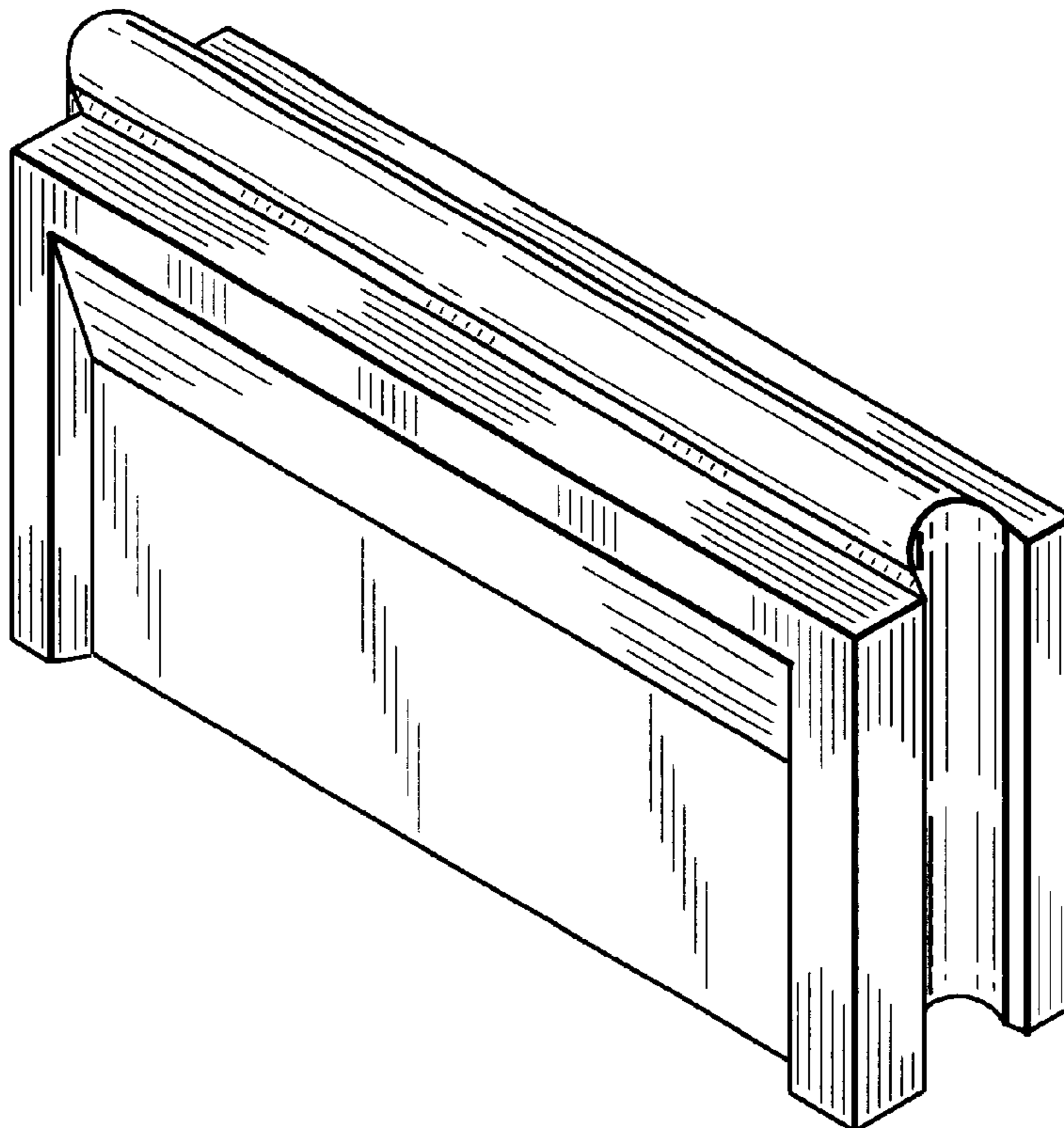
(56) **References Cited**

U.S. PATENT DOCUMENTS

D58,660 S * 8/1921 Clouser et al. D25/113
D186,371 S * 10/1959 Johnson D25/116
2,957,278 A * 10/1960 Woodworth D25/114 X
4,123,881 A * 11/1978 Muse 52/574 X
D266,875 S * 11/1982 Santos D25/114
4,524,551 A * 6/1985 Scheiwiller 52/605 X

FIG. 1 is a front, top, left side, perspective view showing my design;
FIG. 2 is a front elevational view thereof;
FIG. 3 is a bottom plan view thereof;
FIG. 4 is a left side elevational view, the right side elevational view being a mirror image except for a convex center tongue in contrast to a concave center groove shown on the right side view thereof, and, therefore, not shown; and,
FIG. 5 is a rear elevation view thereof.

1 Claim, 2 Drawing Sheets



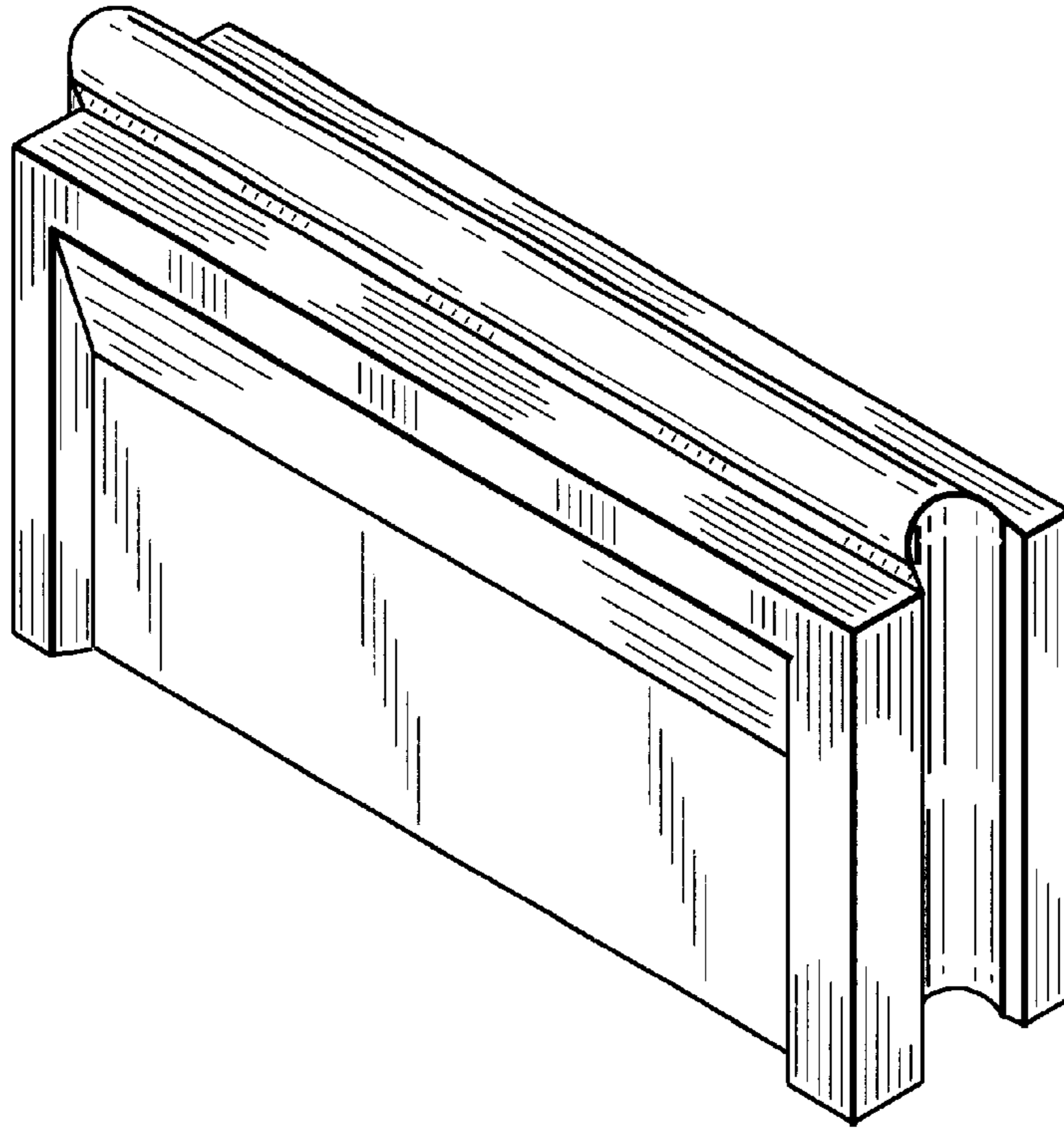


FIG. 1

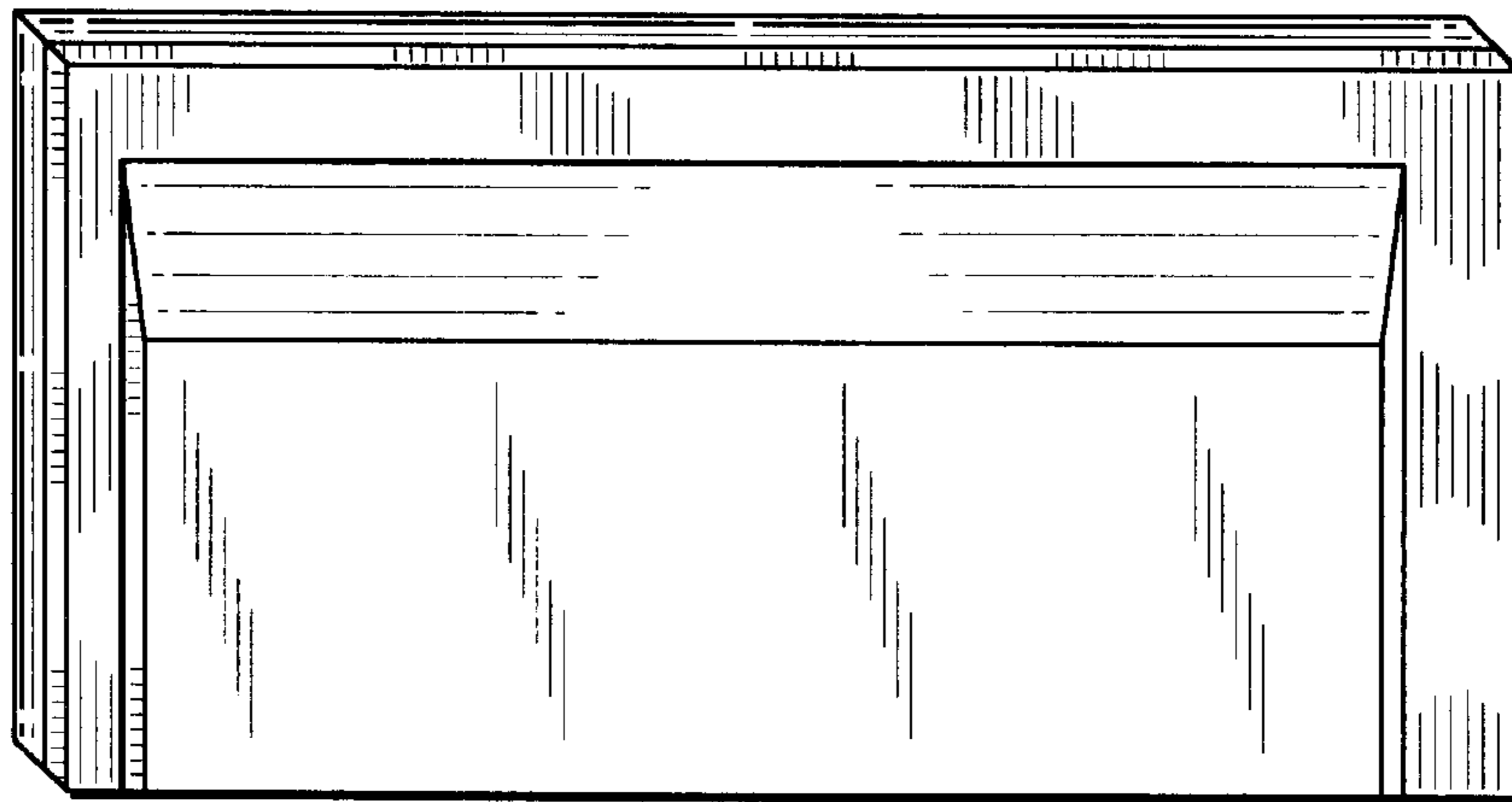


FIG. 2

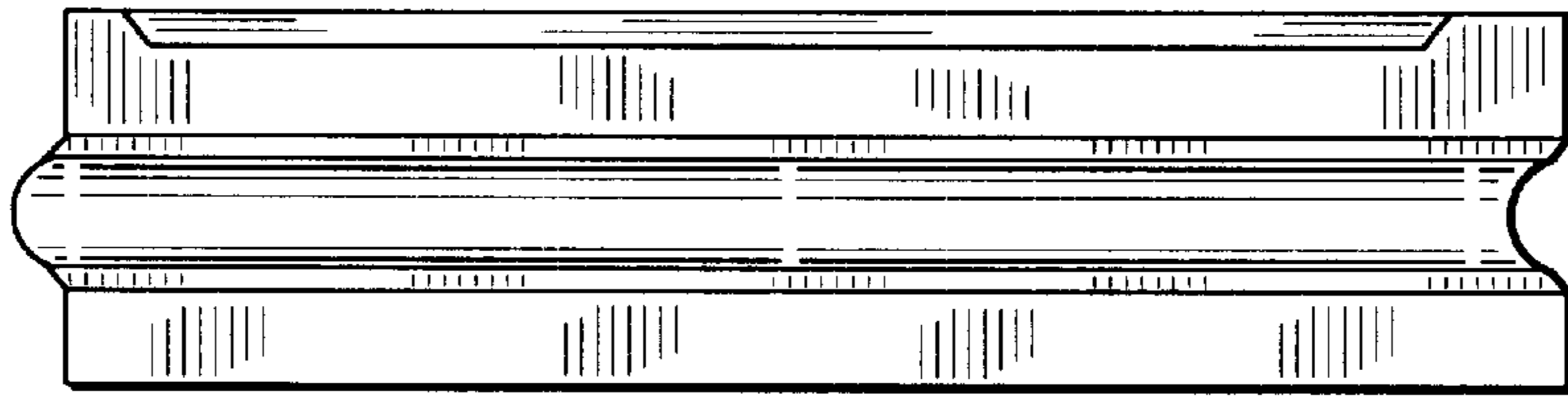


FIG. 3

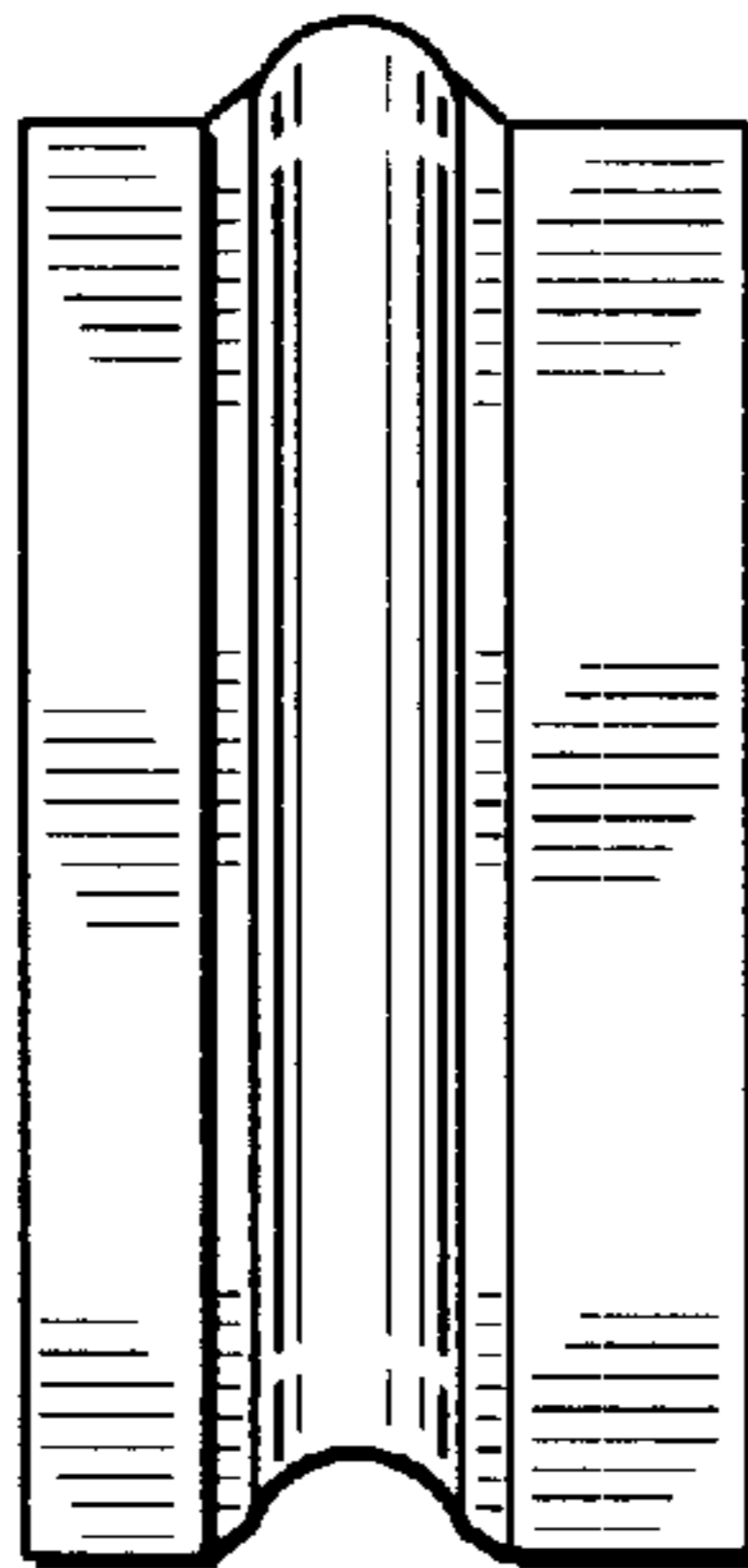


FIG. 4

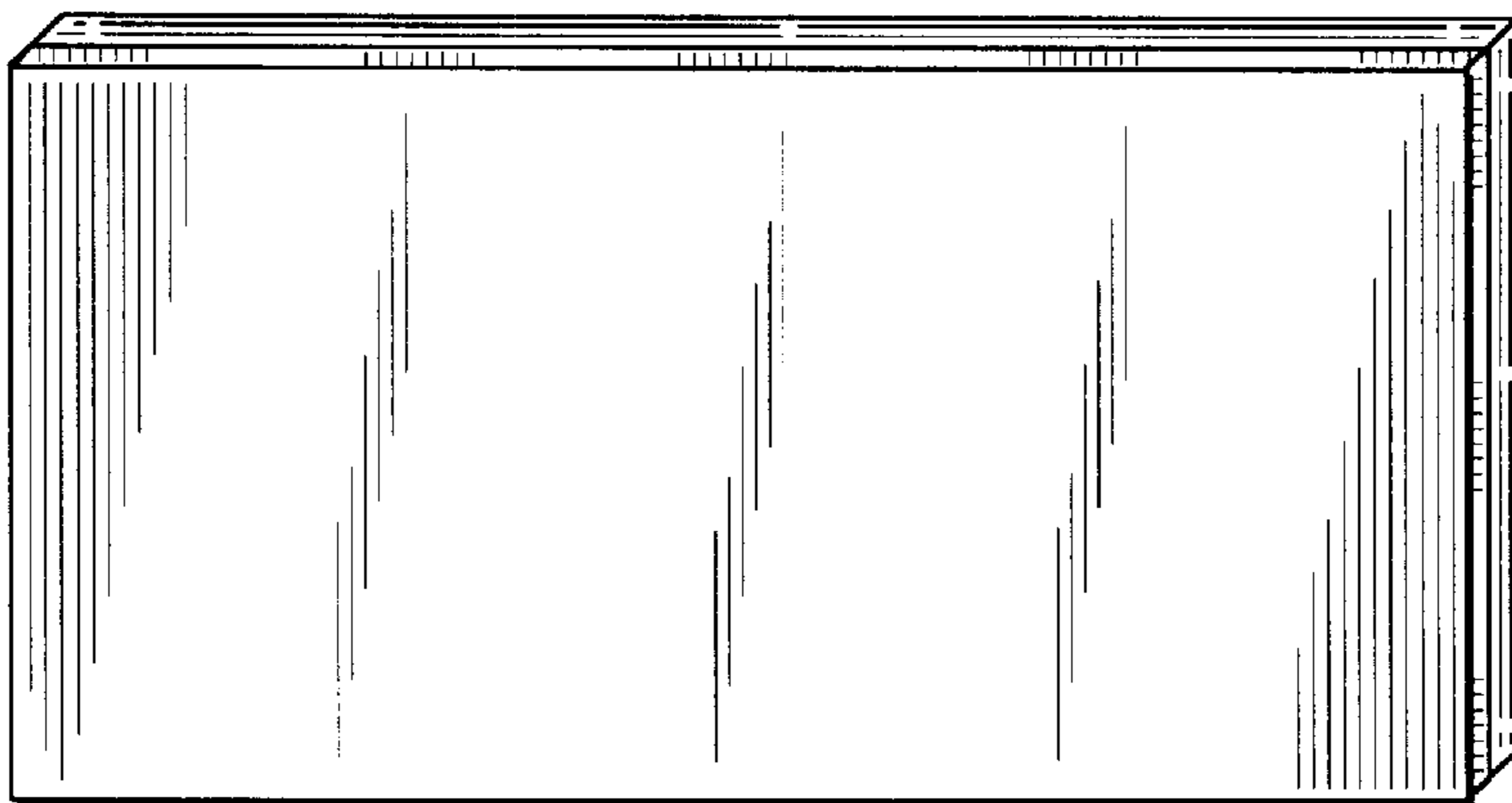


FIG. 5