



US00D467664S

(12) **United States Design Patent**
Chue

(10) **Patent No.:** **US D467,664 S**

(45) **Date of Patent:** **** Dec. 24, 2002**

(54) **SAFETY PILL CUTTER**

(75) Inventor: **Lap Fu Chue**, New Territories (HK)

(73) Assignee: **Kenki (H.K.) Ltd.**, Kowloon (HK)

(**) Term: **14 Years**

(21) Appl. No.: **29/151,846**

(22) Filed: **Dec. 13, 2001**

(30) **Foreign Application Priority Data**

Aug. 15, 2001 (CN) 01 3 40701

(51) **LOC (7) Cl.** **24-02**

(52) **U.S. Cl.** **D24/220**

(58) **Field of Search** D24/220; 241/199.11,
241/DIG. 27, 169, 168; 30/179, 124; D3/203

(56) **References Cited**

U.S. PATENT DOCUMENTS

D419,684 S * 1/2000 Noble et al. D24/220

D420,140 S * 2/2000 Noble et al. D24/220

* cited by examiner

Primary Examiner—Ian Simmons

(74) *Attorney, Agent, or Firm*—Rabin & Berdo, P.C.

(57) **CLAIM**

The ornamental design for a safety pill cutter, as shown and described.

DESCRIPTION

FIG. 1 is a front view of a safety pill cutter showing my new design;

FIG. 2 is a rear view thereof;

FIG. 3 is a right side view thereof;

FIG. 4 is a left side view thereof;

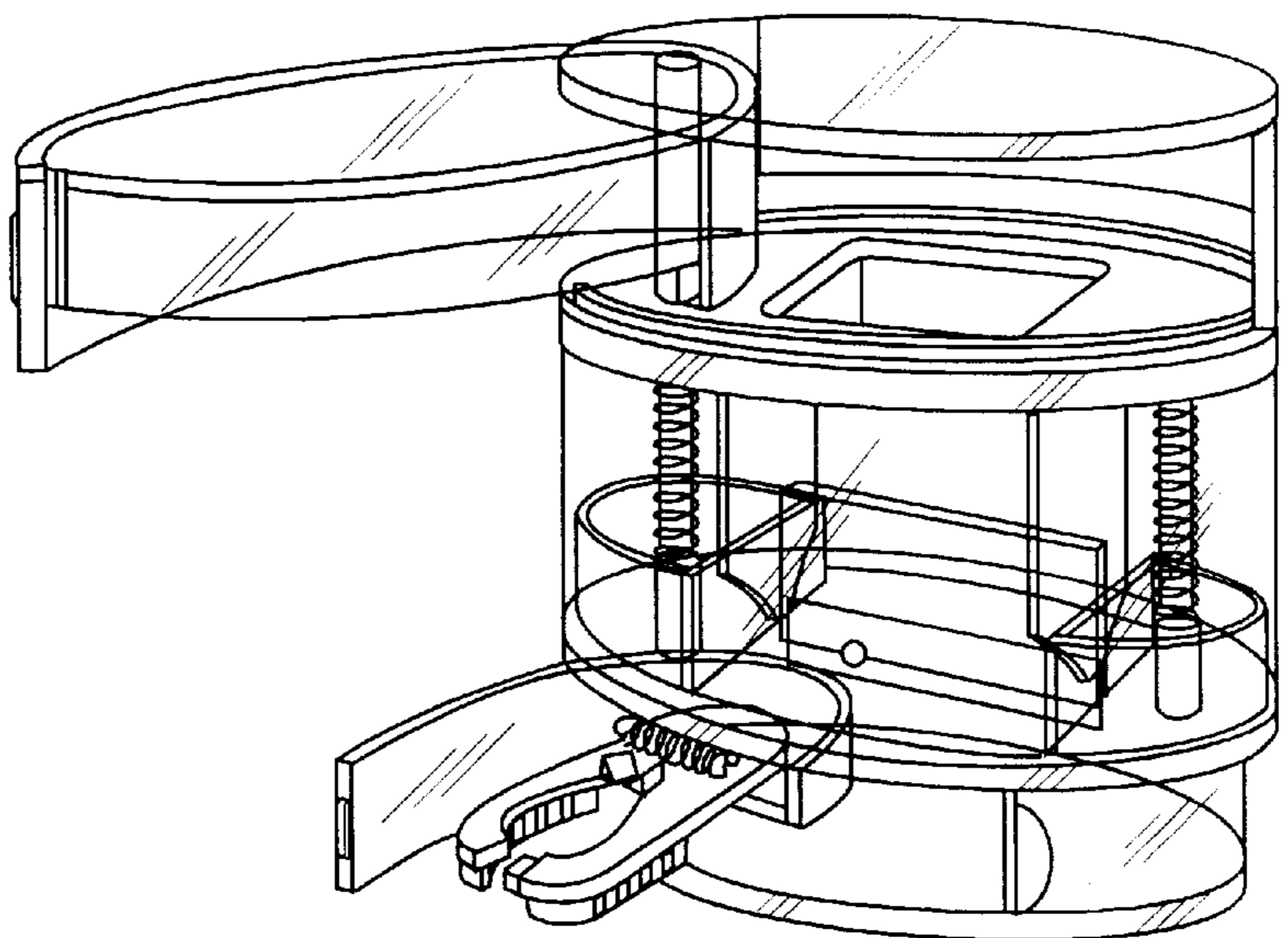
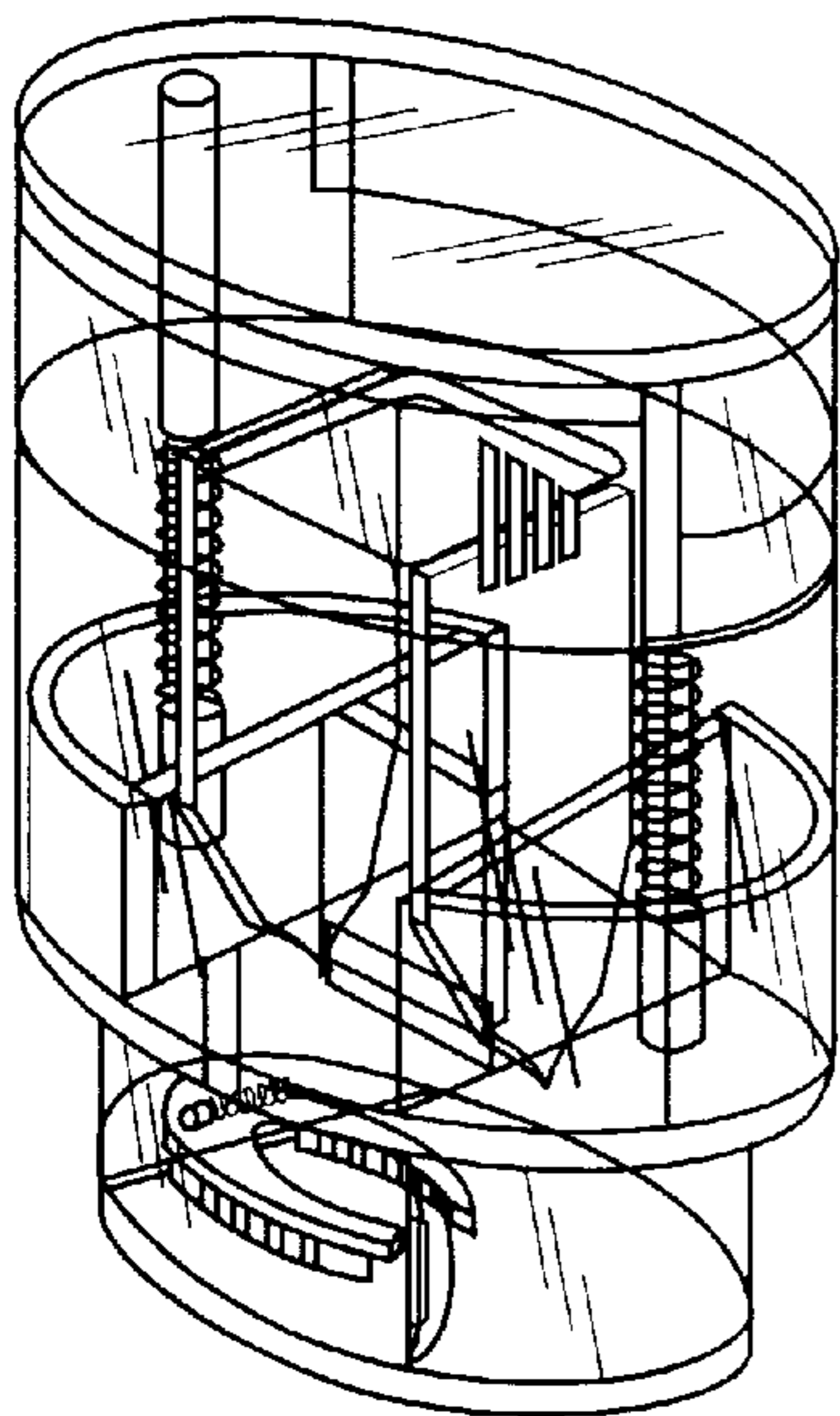
FIG. 5 is a top view thereof;

FIG. 6 is a bottom view thereof;

FIG. 7 is a front perspective view thereof; and,

FIG. 8 is a front perspective view in open thereof.

1 Claim, 8 Drawing Sheets



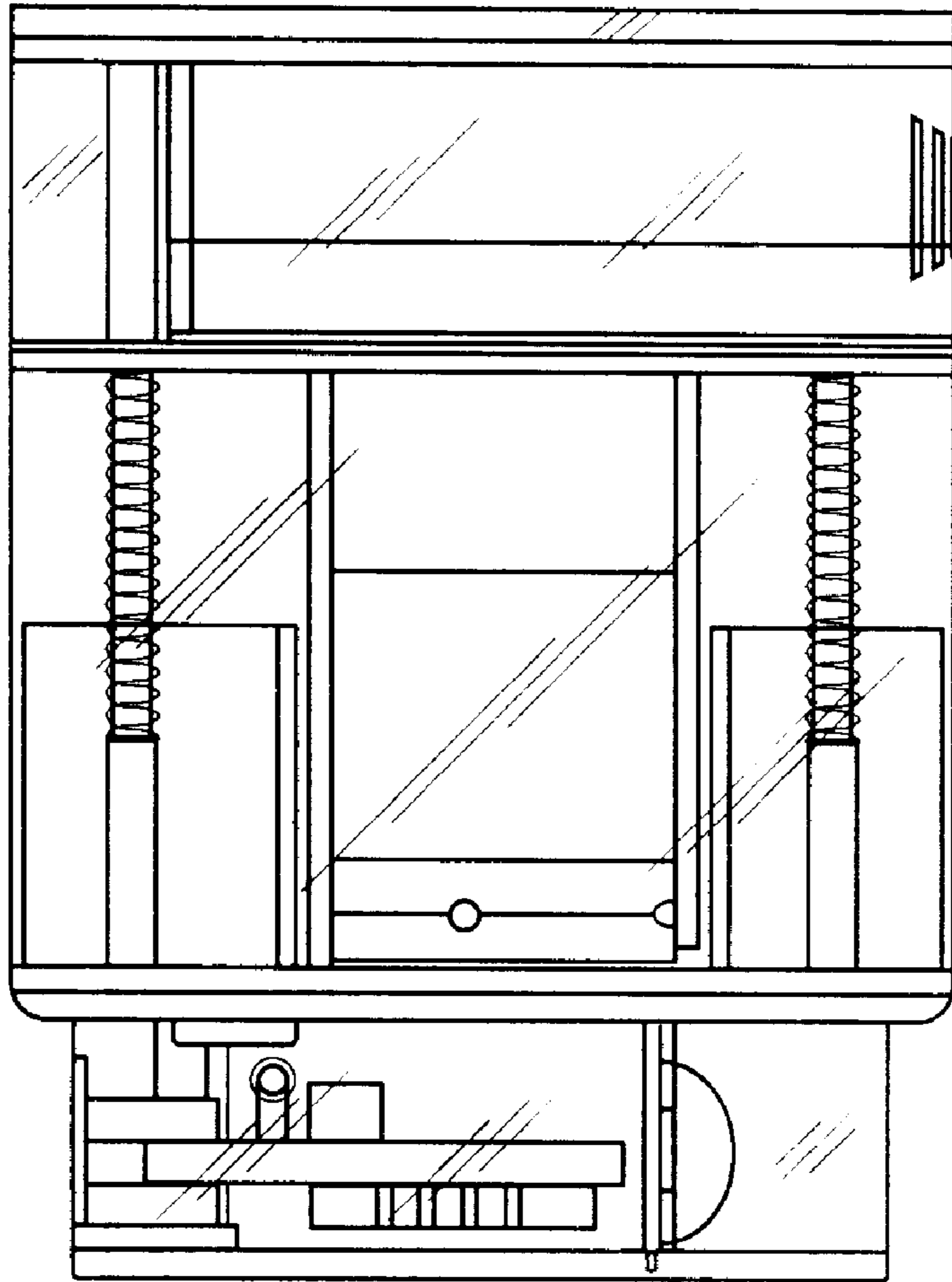


Fig. 1

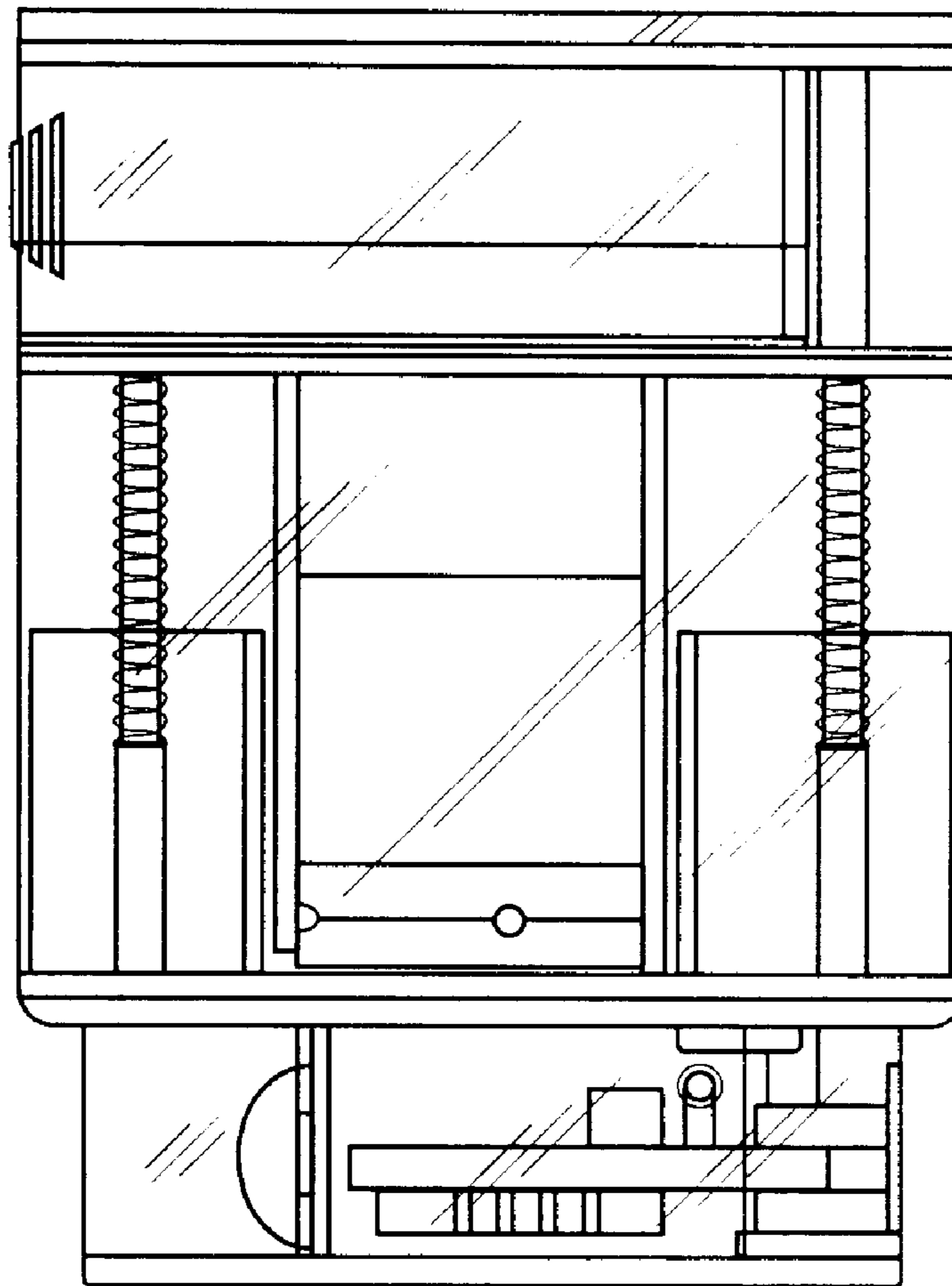


Fig.2

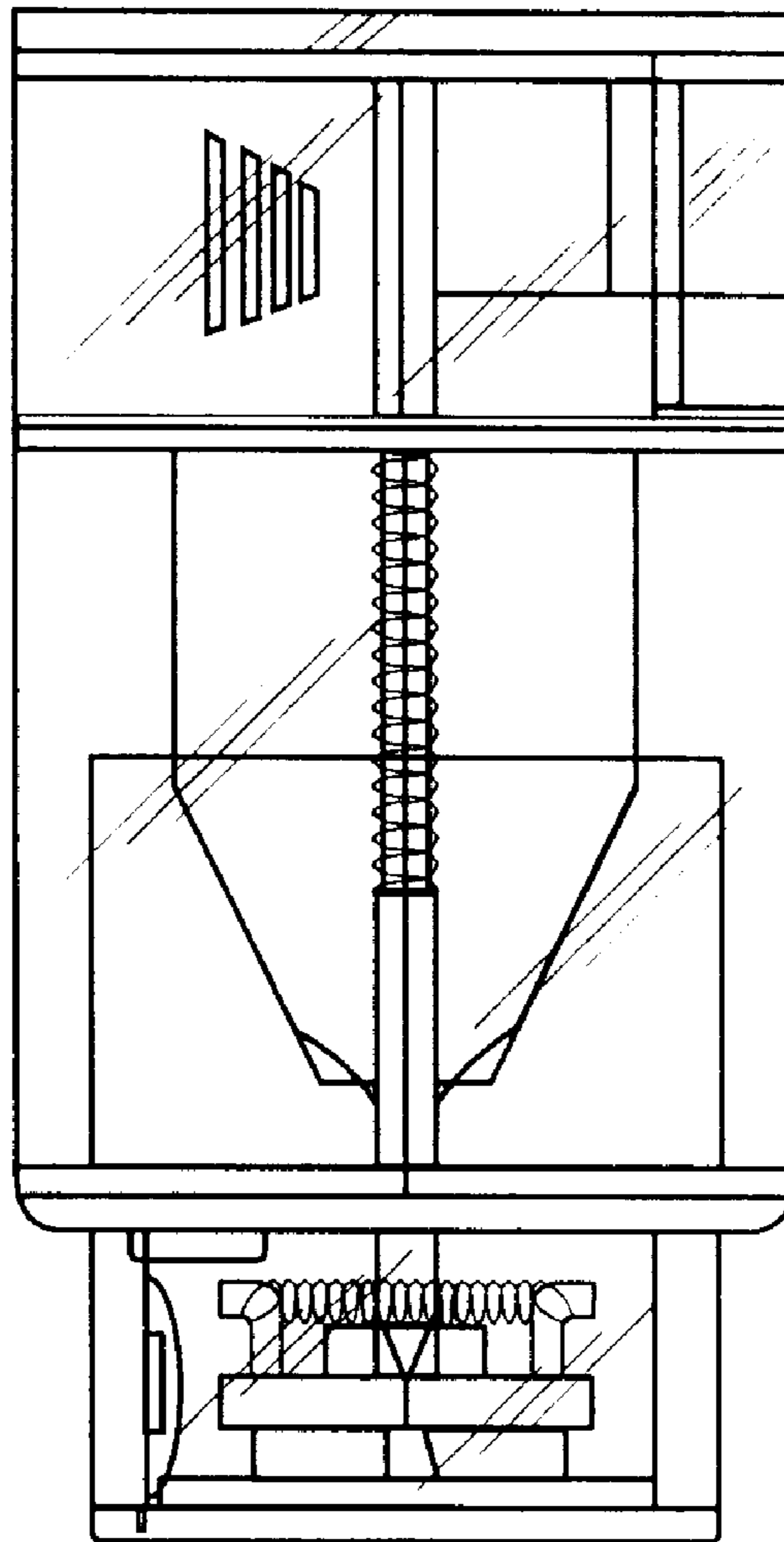


Fig.3

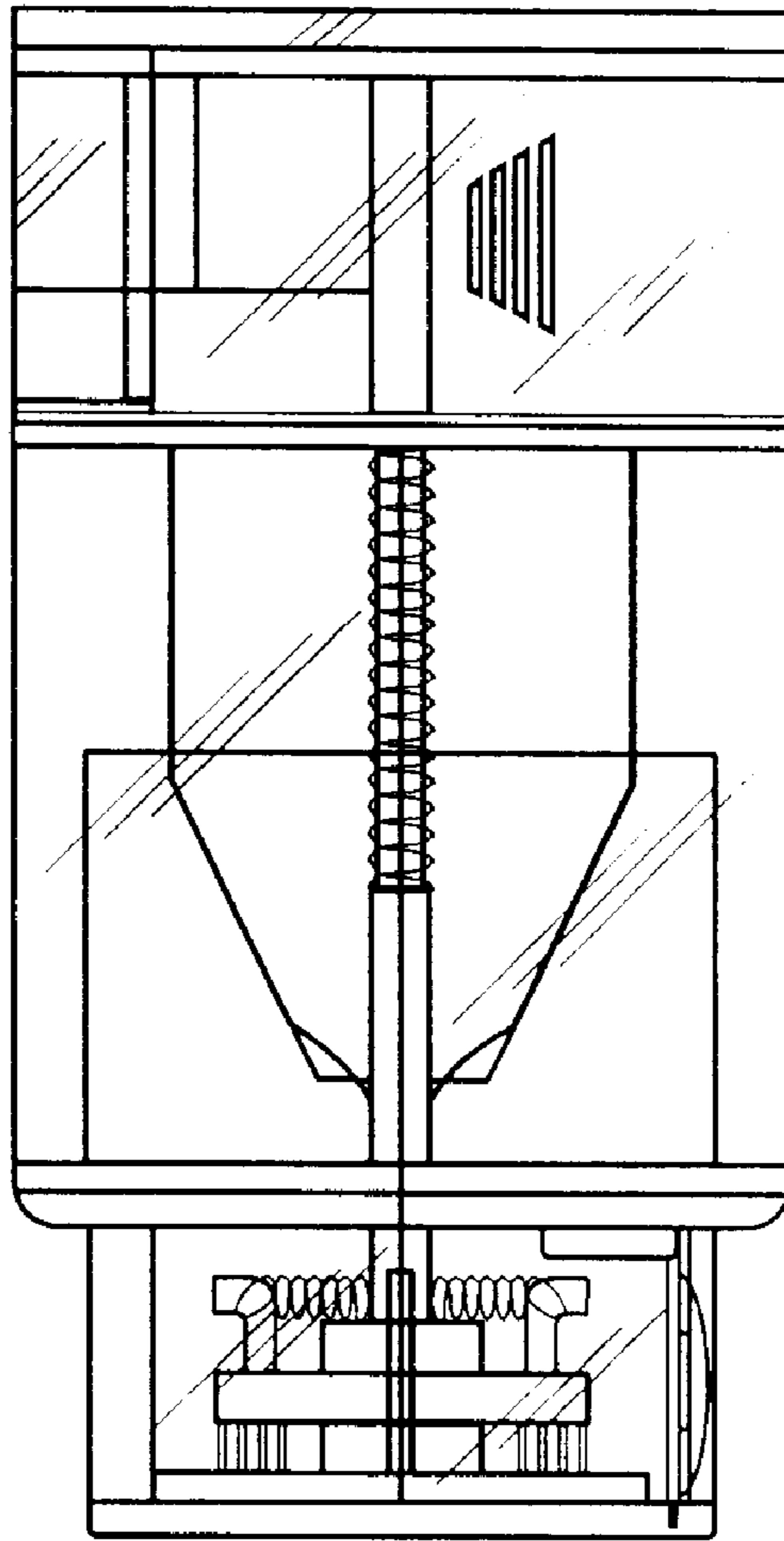


Fig.4

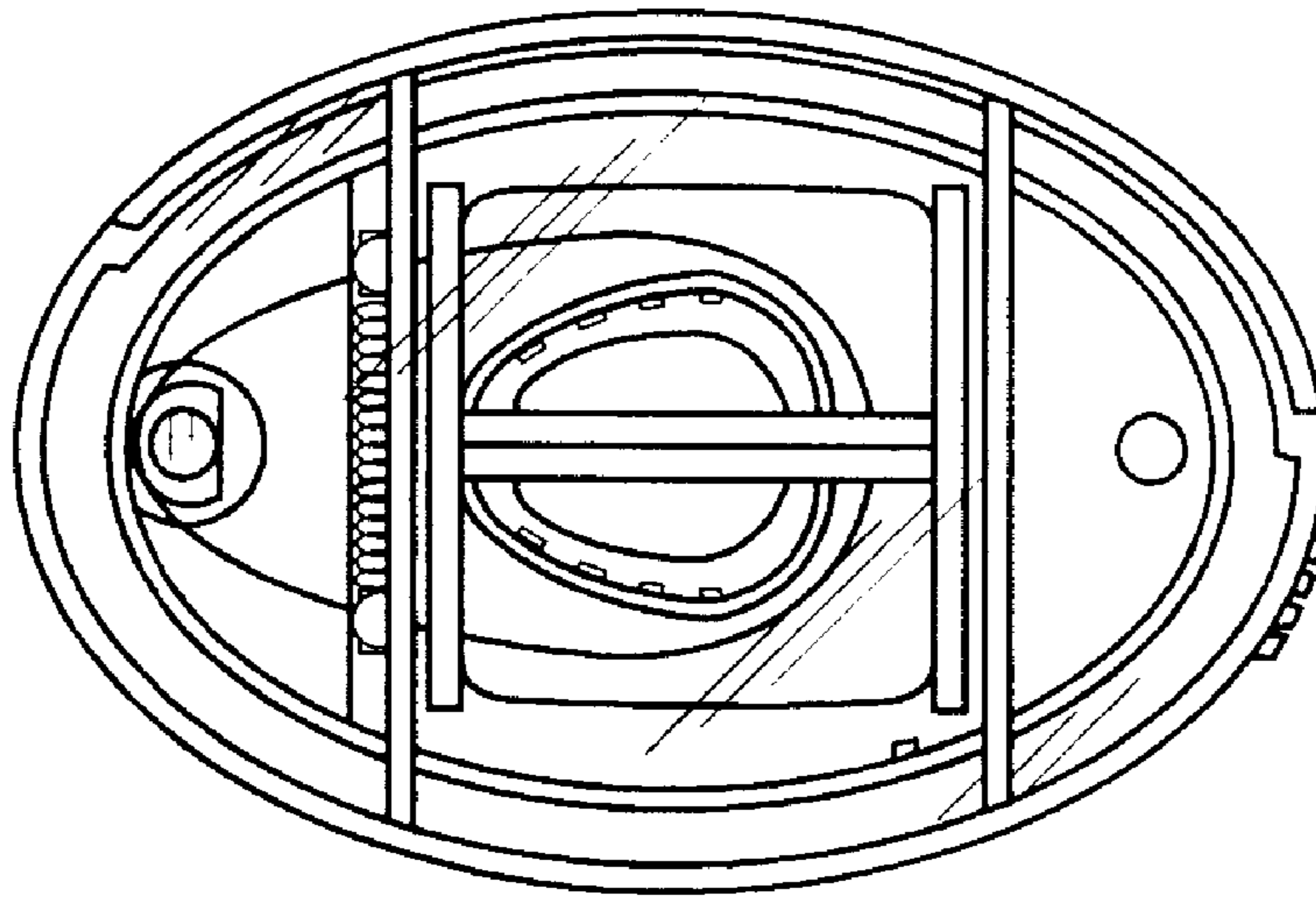


Fig.5

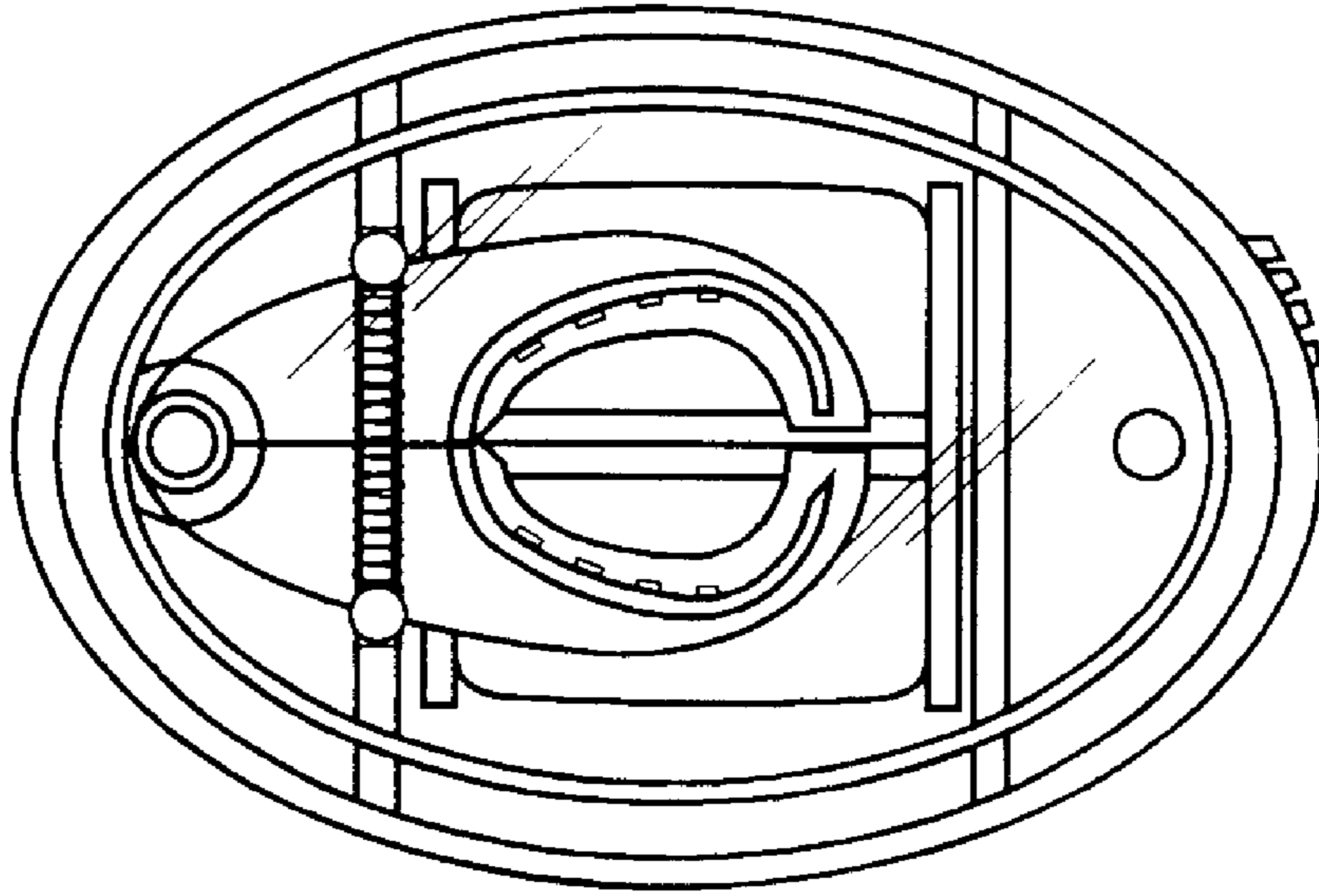


Fig.6

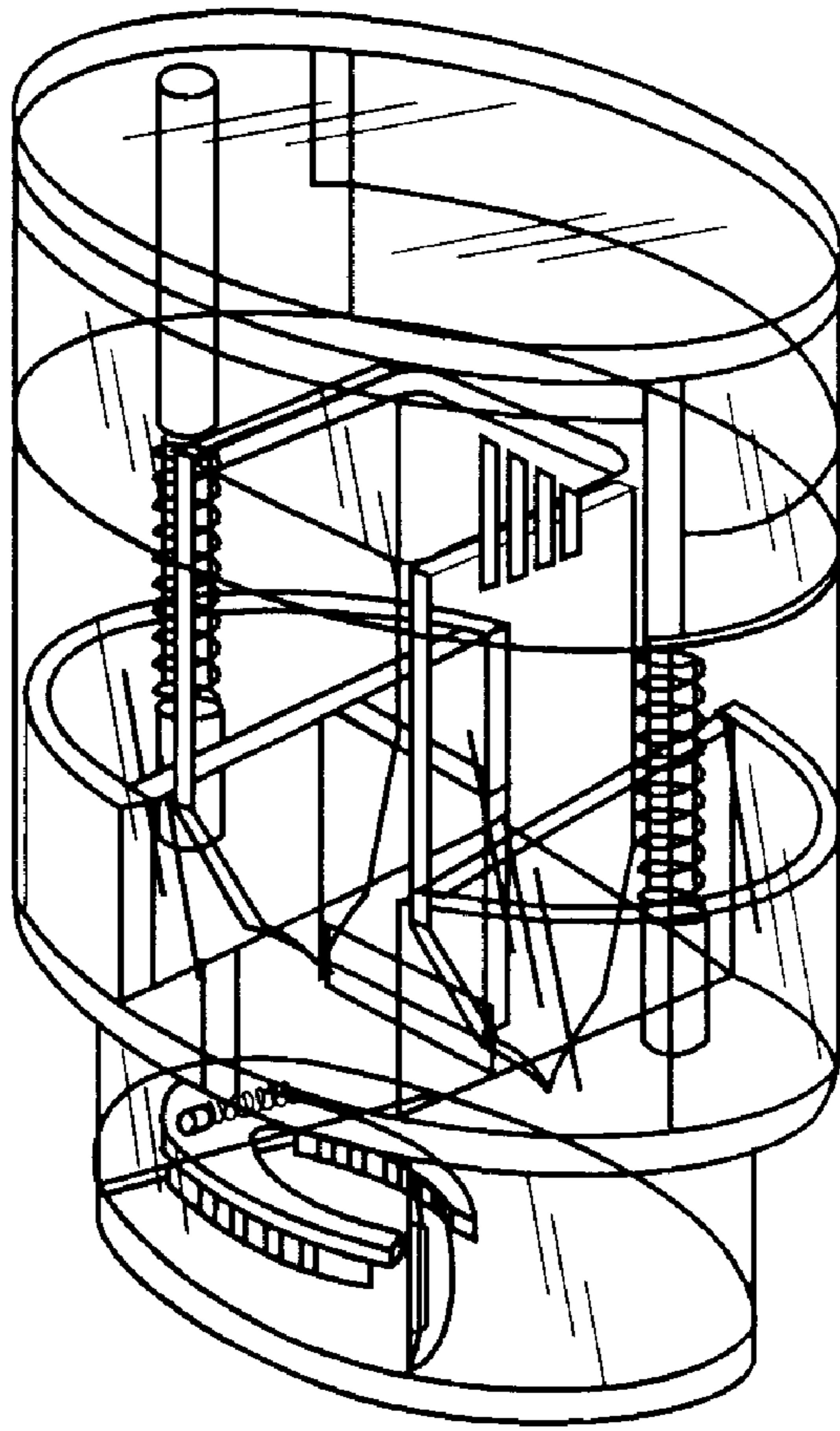


Fig.7

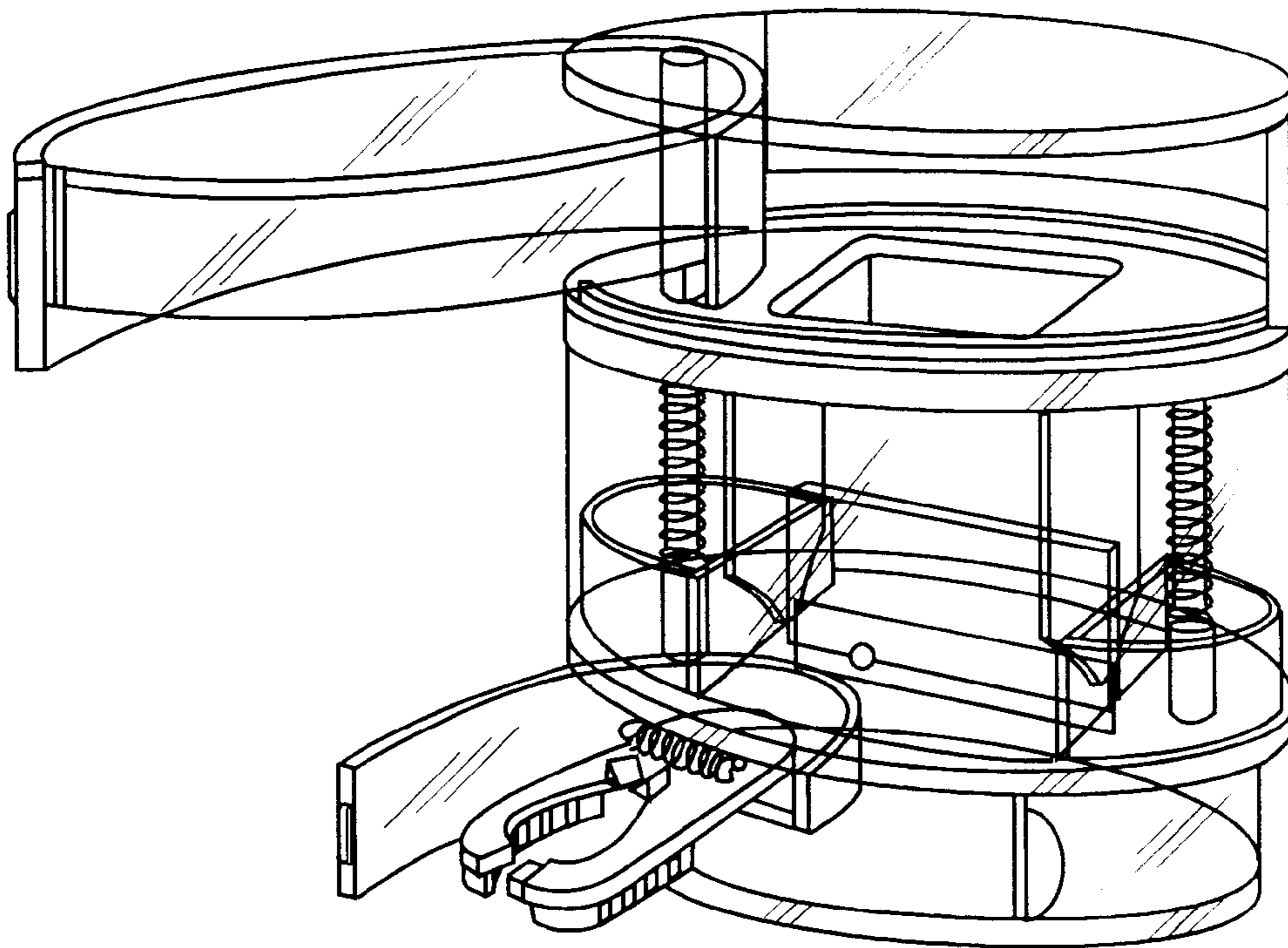


Fig.8