



US00D467663S

(12) **United States Design Patent**  
**Leighton**

(10) **Patent No.:** **US D467,663 S**

(45) **Date of Patent:** **\*\* Dec. 24, 2002**

(54) **GEL FILLED NECK PAD**

6,440,159 B1 \* 8/2002 Edwards et al. .... 607/108

(76) Inventor: **Barbara A. Leighton**, P.O. Box 2136  
Portage St., Mattawa, WA (US) 99349

\* cited by examiner

(\*\*) Term: **14 Years**

*Primary Examiner*—Stella Reid

(74) *Attorney, Agent, or Firm*—Terry M Gernstein

(21) Appl. No.: **29/141,440**

(57) **CLAIM**

(22) Filed: **May 8, 2001**

I claim the ornamental design for a gel filled neck pad, as shown and described.

(51) **LOC (7) Cl.** ..... **24-04**

(52) **U.S. Cl.** ..... **D24/206**

(58) **Field of Search** ..... D24/206, 207,  
D24/201; 607/96, 104, 108, 109, 110, 111,  
112

**DESCRIPTION**

FIG. 1 is a front, top and side perspective view of the gel filled neck pad embodying the design of the present invention.

FIG. 2 is a front elevational view thereof.

FIG. 3 is a rear elevational view thereof.

FIG. 4 is a side elevational view thereof; and,

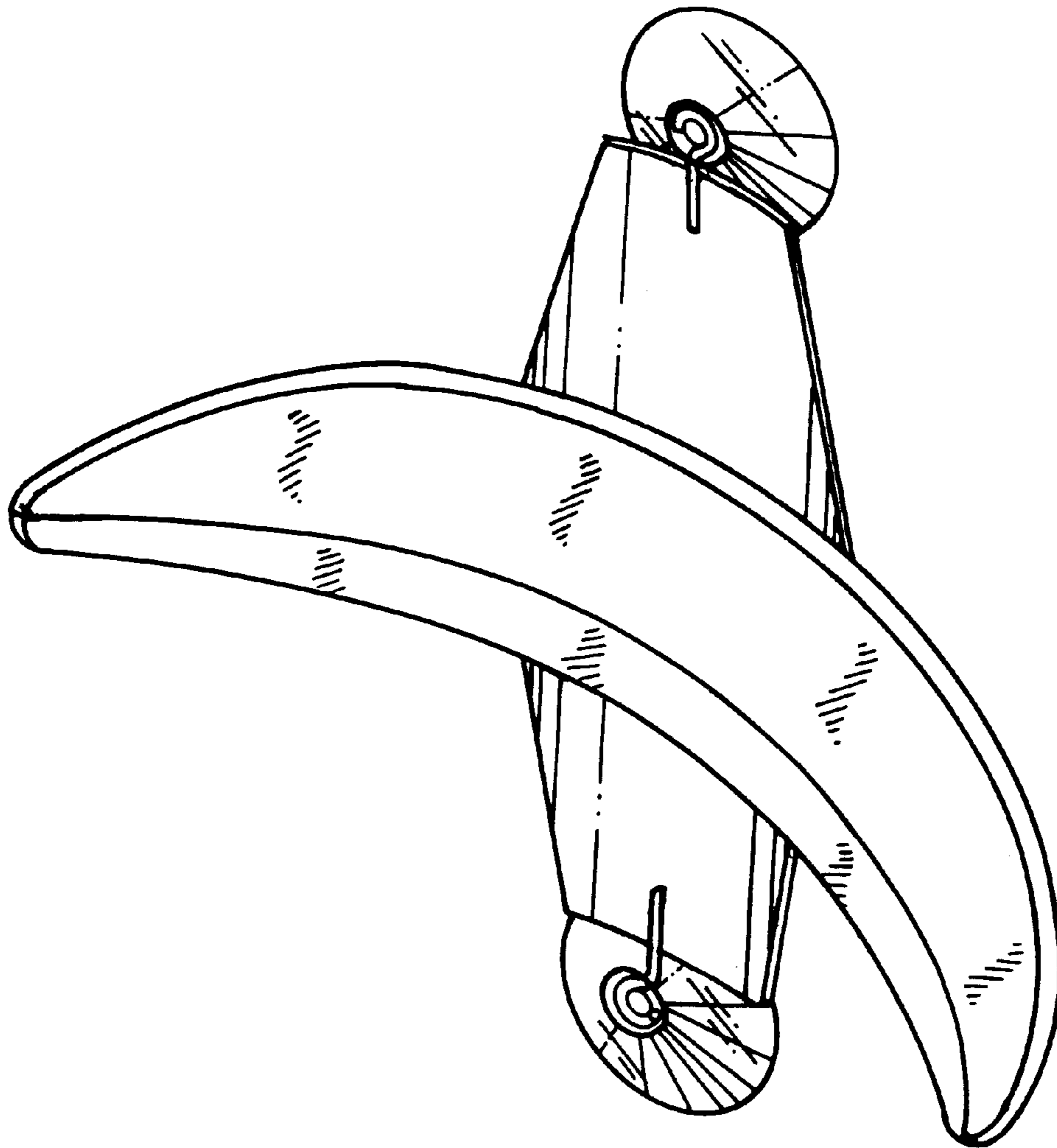
FIG. 5 is a bottom plan view thereof, the bottom plan view being a mirror image.

(56) **References Cited**

**U.S. PATENT DOCUMENTS**

- 5,257,429 A \* 11/1993 Genis ..... 5/636
- RE35,113 E \* 12/1995 Grim ..... 602/14
- D453,043 S \* 1/2002 Hart et al. .... D24/206

**1 Claim, 3 Drawing Sheets**



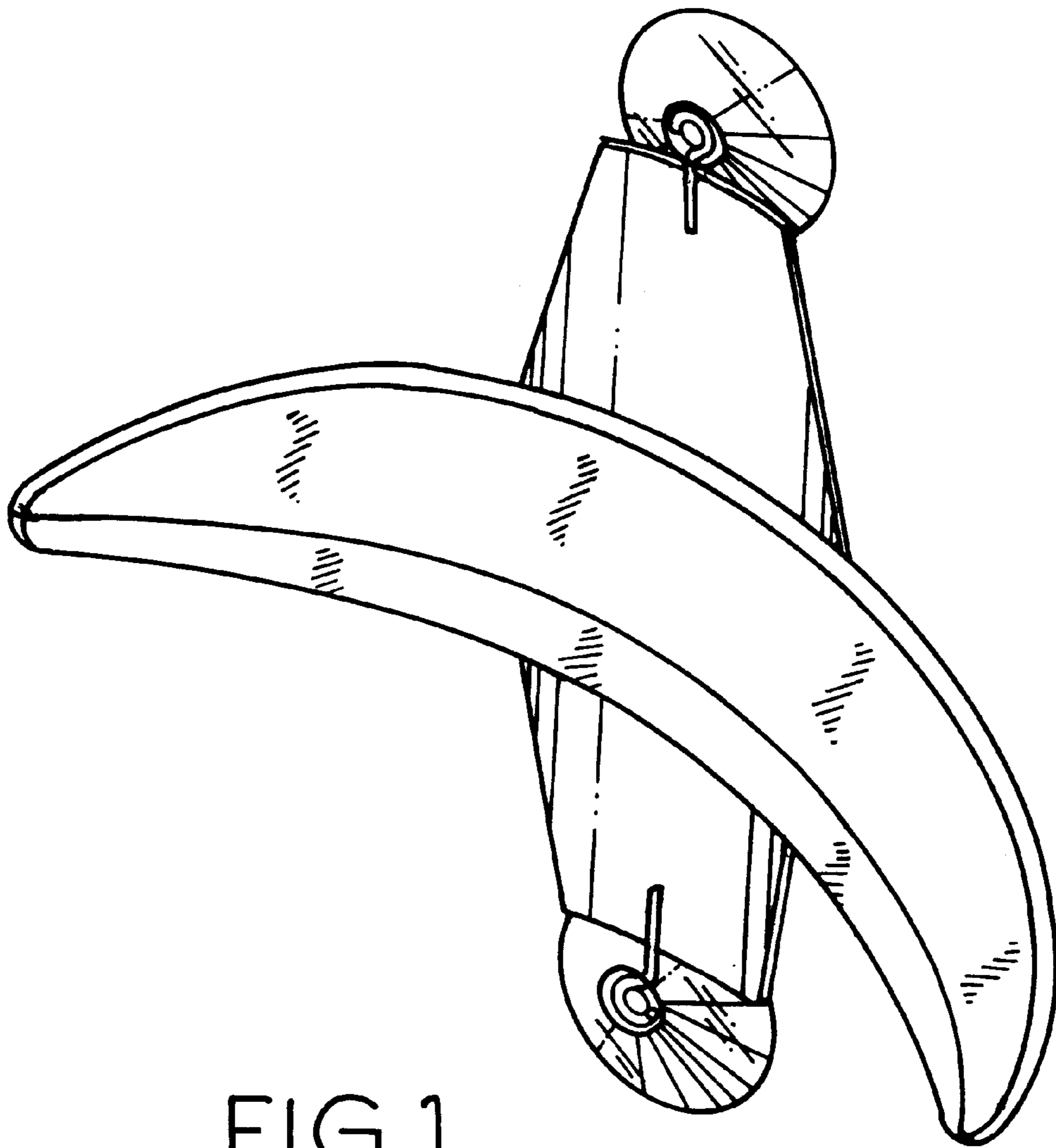


FIG.1.

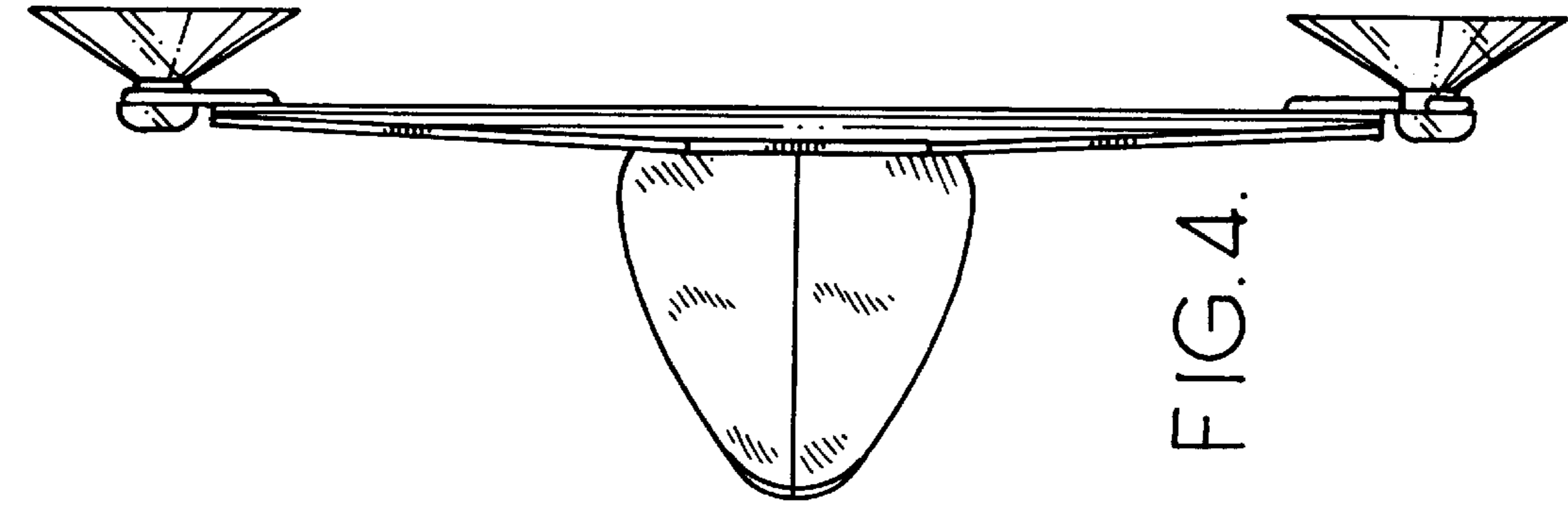


FIG. 4.

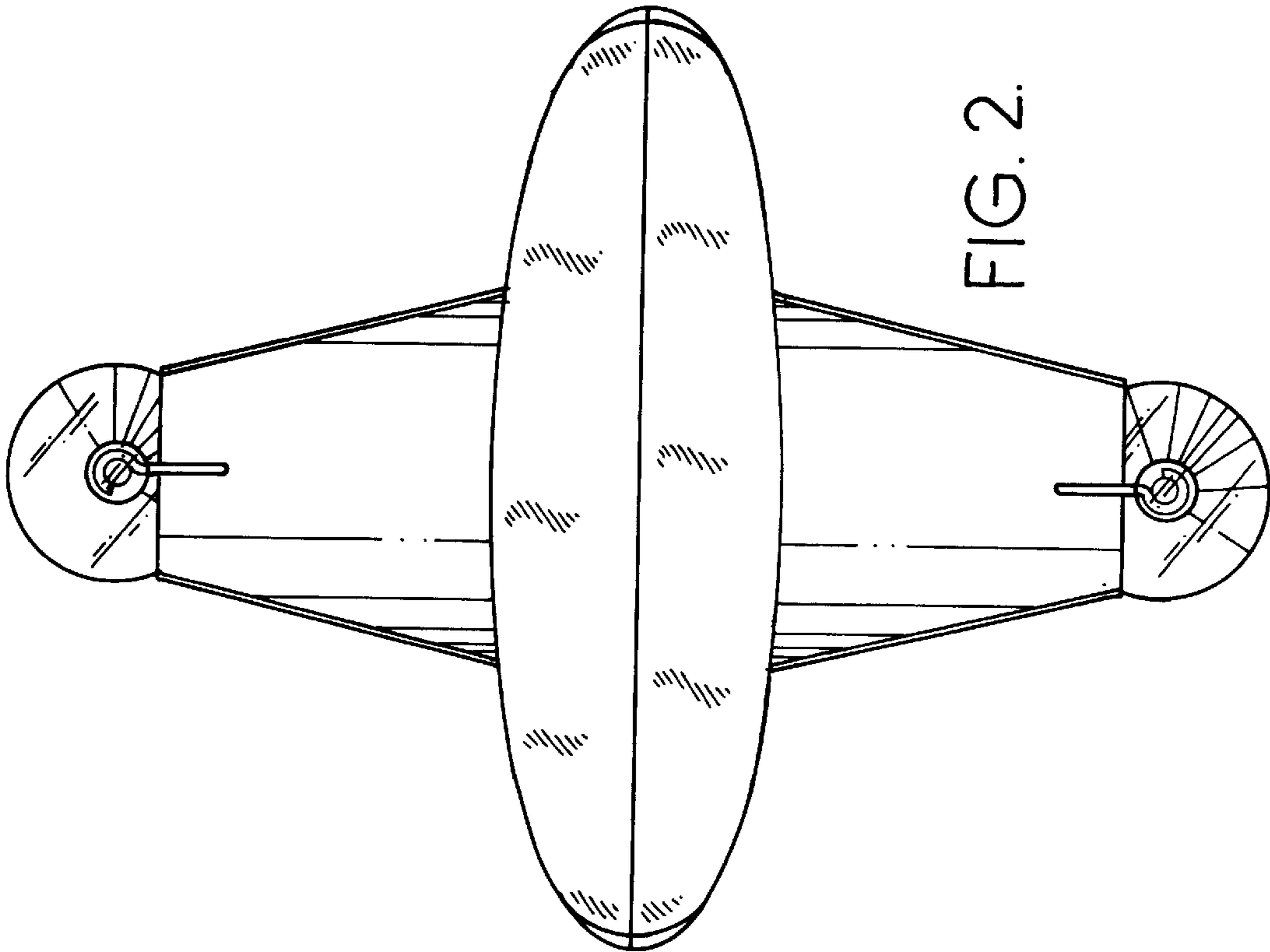


FIG. 2.

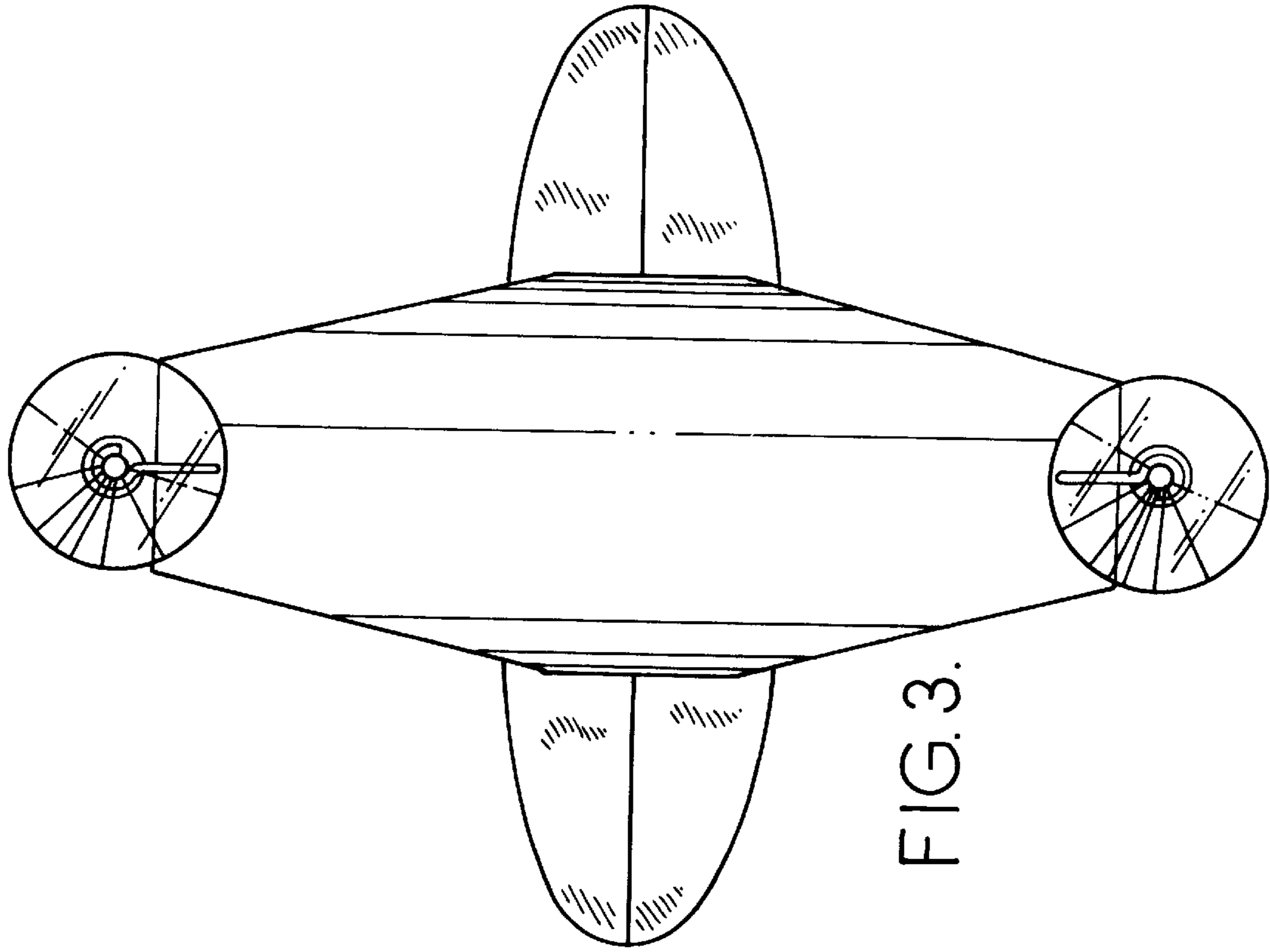


FIG. 3.

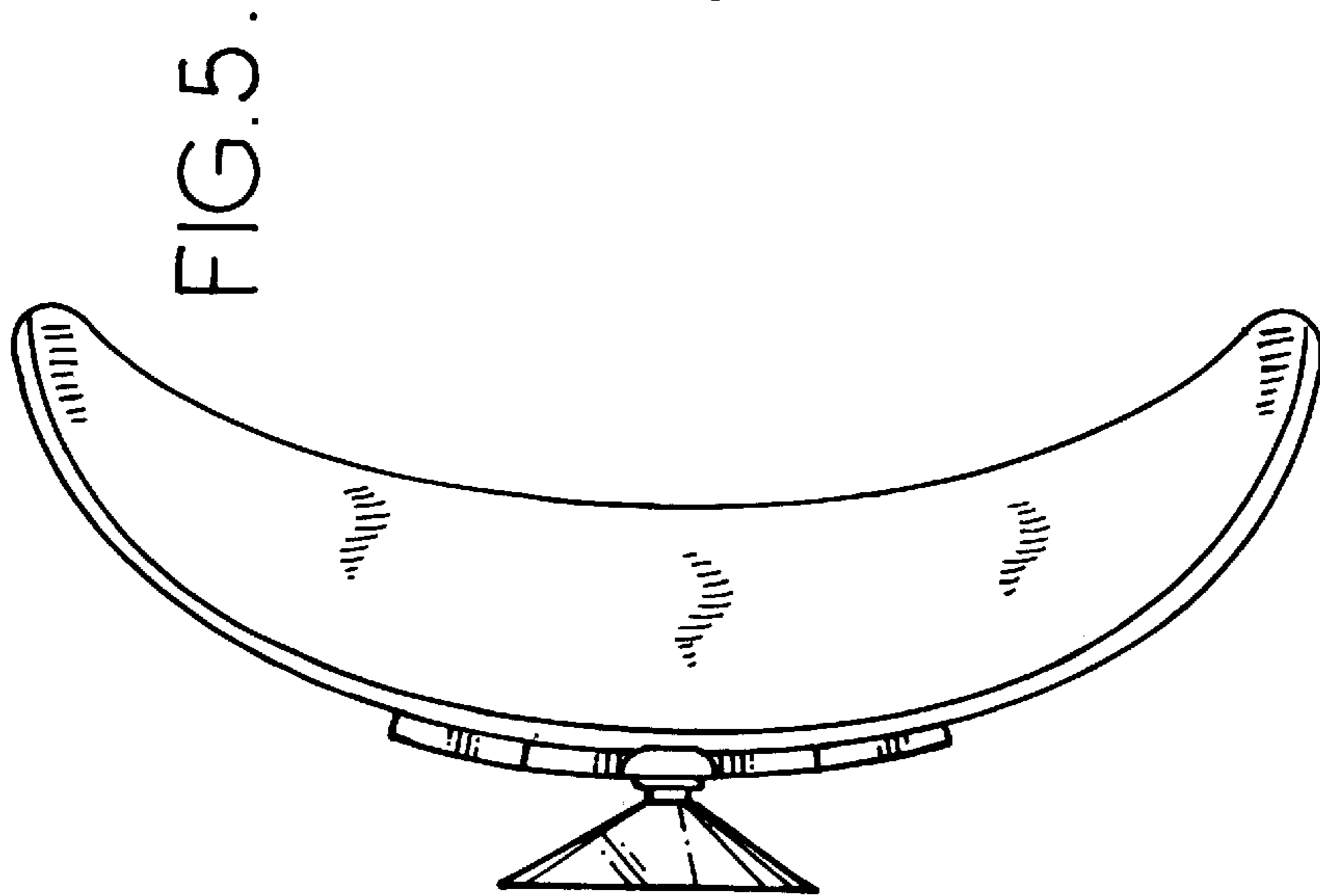


FIG. 5.