



US00D467661S

(12) **United States Design Patent**
Buckley et al.

(10) **Patent No.:** **US D467,661 S**

(45) **Date of Patent:** **** Dec. 24, 2002**

(54) **ELECTRODE DEVICE**

5,954,643 A 9/1999 VanAntwerp et al.
6,254,586 B1 7/2001 Mann et al.

(75) Inventors: **Neil Buckley**, Worcs (GB); **Andrew Gill**, Salford (GB); **Daniel Rose**, London (GB); **Suzy Stone**, Herts (GB); **Maximilian Bielenberg**, London (GB); **Graham Michael Pullin**, London (GB); **Paul Stephen South**, Epsom (GB)

FOREIGN PATENT DOCUMENTS

WO WO 93/14693 8/1993
WO WO 00/19887 4/2000
WO WO 00/49941 8/2000
WO WO 00/49942 8/2000
WO WO 01/13784 A1 3/2001

(73) Assignee: **ITT Limited**, London (GB)

* cited by examiner

(**) Term: **14 Years**

Primary Examiner—Stella Reid

(21) Appl. No.: **29/151,829**

(74) *Attorney, Agent, or Firm*—Larson & Taylor, PLC

(22) Filed: **Dec. 12, 2001**

(30) **Foreign Application Priority Data**

(57) **CLAIM**

Dec. 6, 2001 (GB) 2102488

The ornamental design for an electrode device, as shown and described.

(51) **LOC (7) Cl.** **24-01**

DESCRIPTION

(52) **U.S. Cl.** **D24/187**

(58) **Field of Search** D24/187; 600/391,
600/392, 394, 382; 439/261, 729, 859,
909

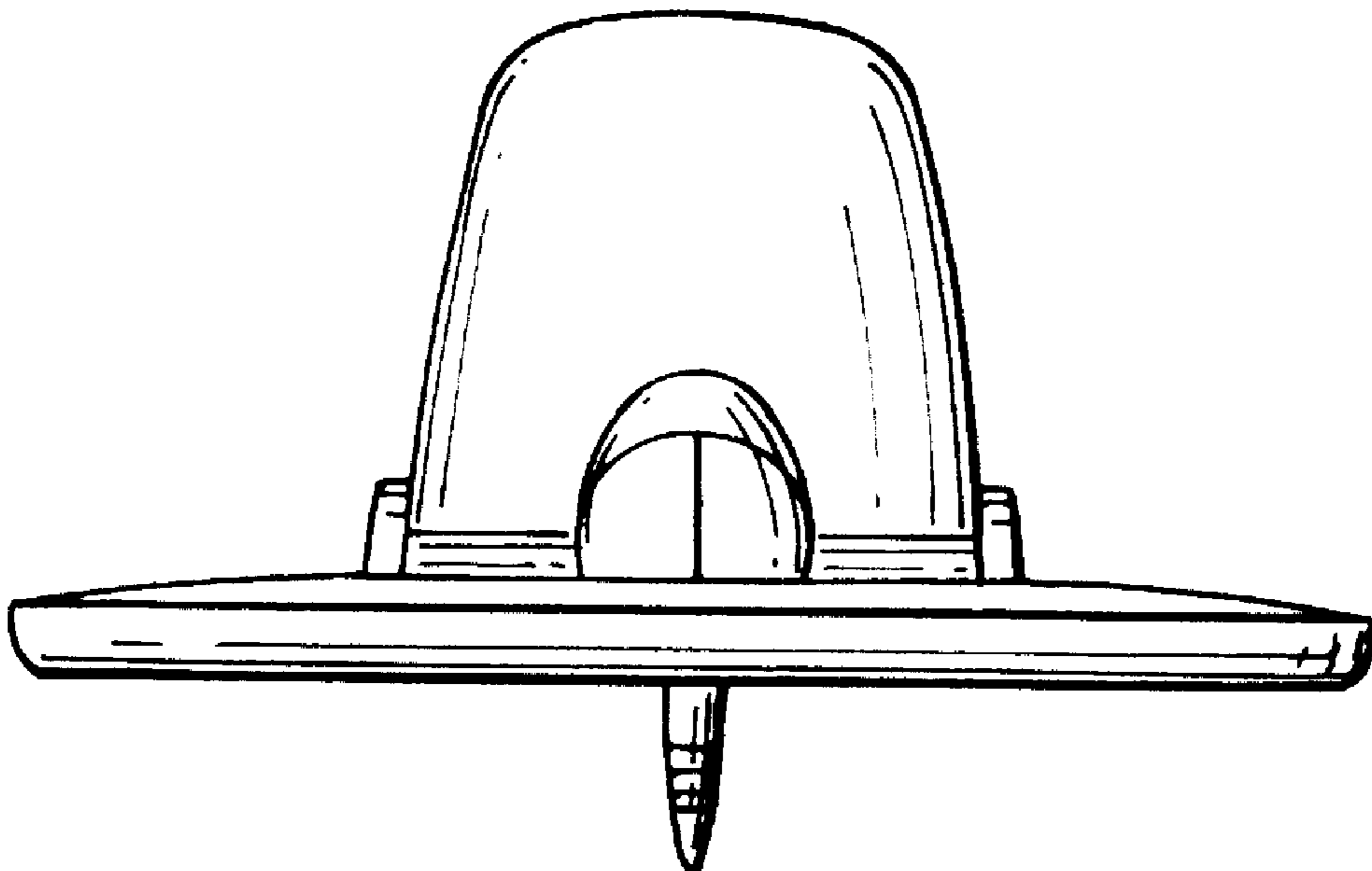
FIG. 1 is a front elevational view of the electrode device with a locking pin and electrode cap present;
FIG. 2 is a rear elevational view of the device of FIG. 1;
FIG. 3 is a top plan view of the device of FIG. 1;
FIG. 4 is a bottom plan view of the device of FIG. 1;
FIG. 5 is a side elevational view of the device of FIG. 1;
FIG. 6 is a perspective view of the device of FIG. 1;
FIG. 7 is a top plan view of the electrode device with the electrode deployed;
FIG. 8 is a perspective view of the device of FIG. 7;
FIG. 9 is a front elevation view of the device of FIG. 7;
FIG. 10 is a rear elevational view of the device of FIG. 7;
FIG. 11 is a side elevational view of the device of FIG. 7;
and,
FIG. 12 is a bottom plan view of the device of FIG. 7.

(56) **References Cited**

U.S. PATENT DOCUMENTS

4,702,256 A * 10/1987 Robinson et al. 128/639
4,797,125 A * 1/1989 Malana 439/729
5,299,571 A 4/1994 Mastrototaro
5,390,671 A 2/1995 Lord et al.
5,568,806 A 10/1996 Cheney, II et al.
5,586,553 A 12/1996 Halili et al.
5,624,281 A * 4/1997 Christensson 439/729
5,632,274 A * 5/1997 Quedens et al. 128/642
5,951,521 A 9/1999 Mastrototaro et al.

1 Claim, 7 Drawing Sheets



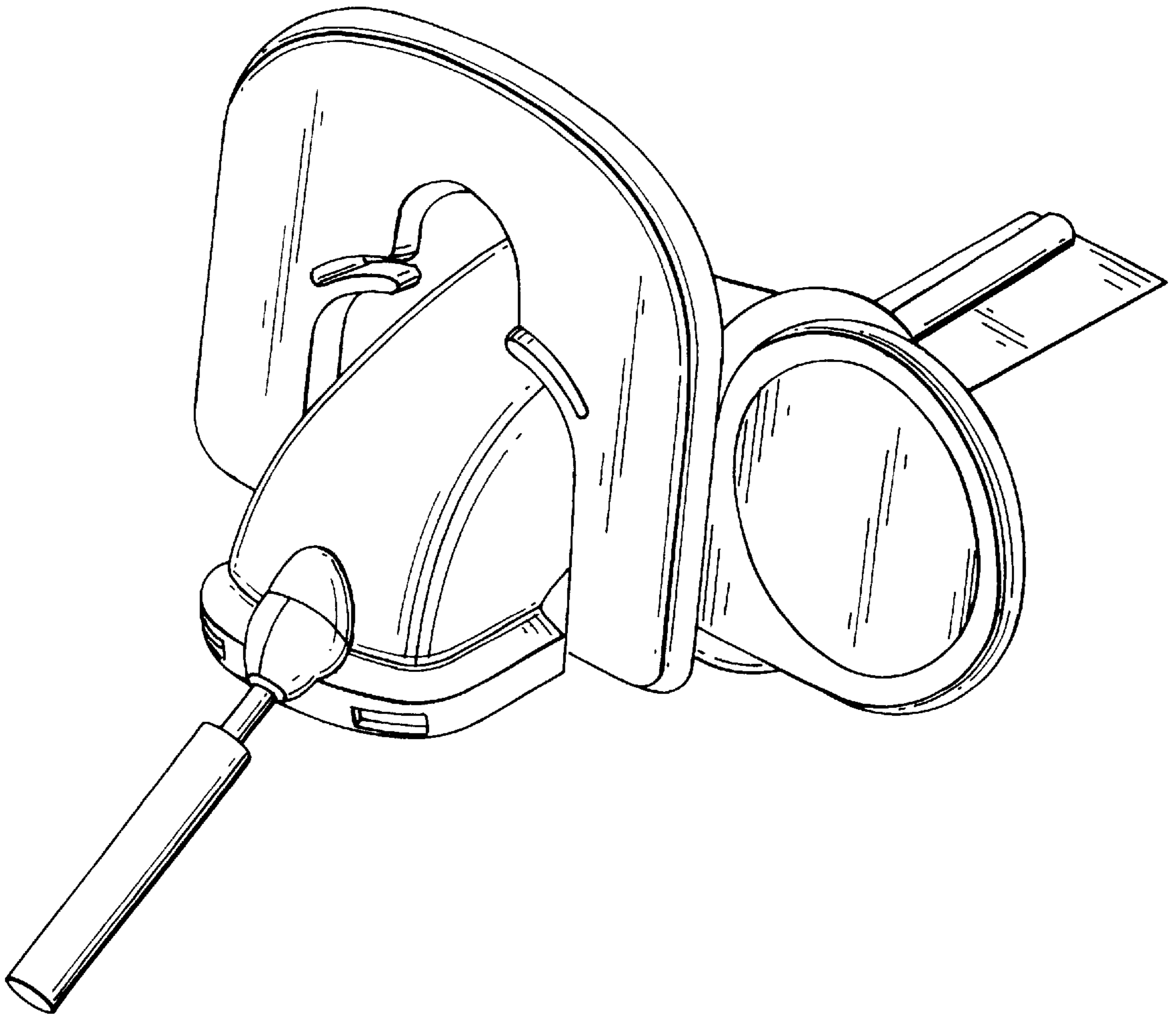


Fig. 1

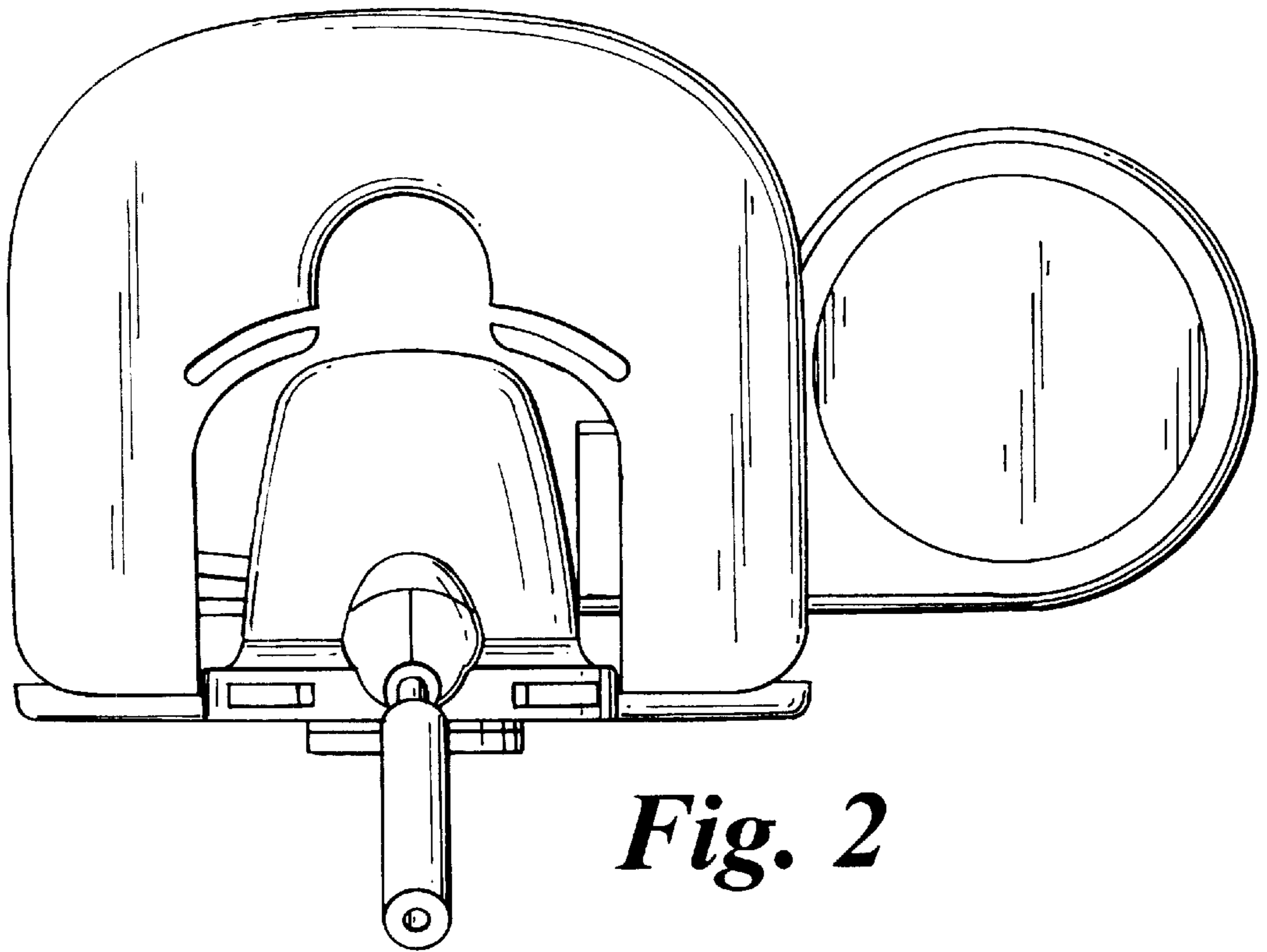


Fig. 2

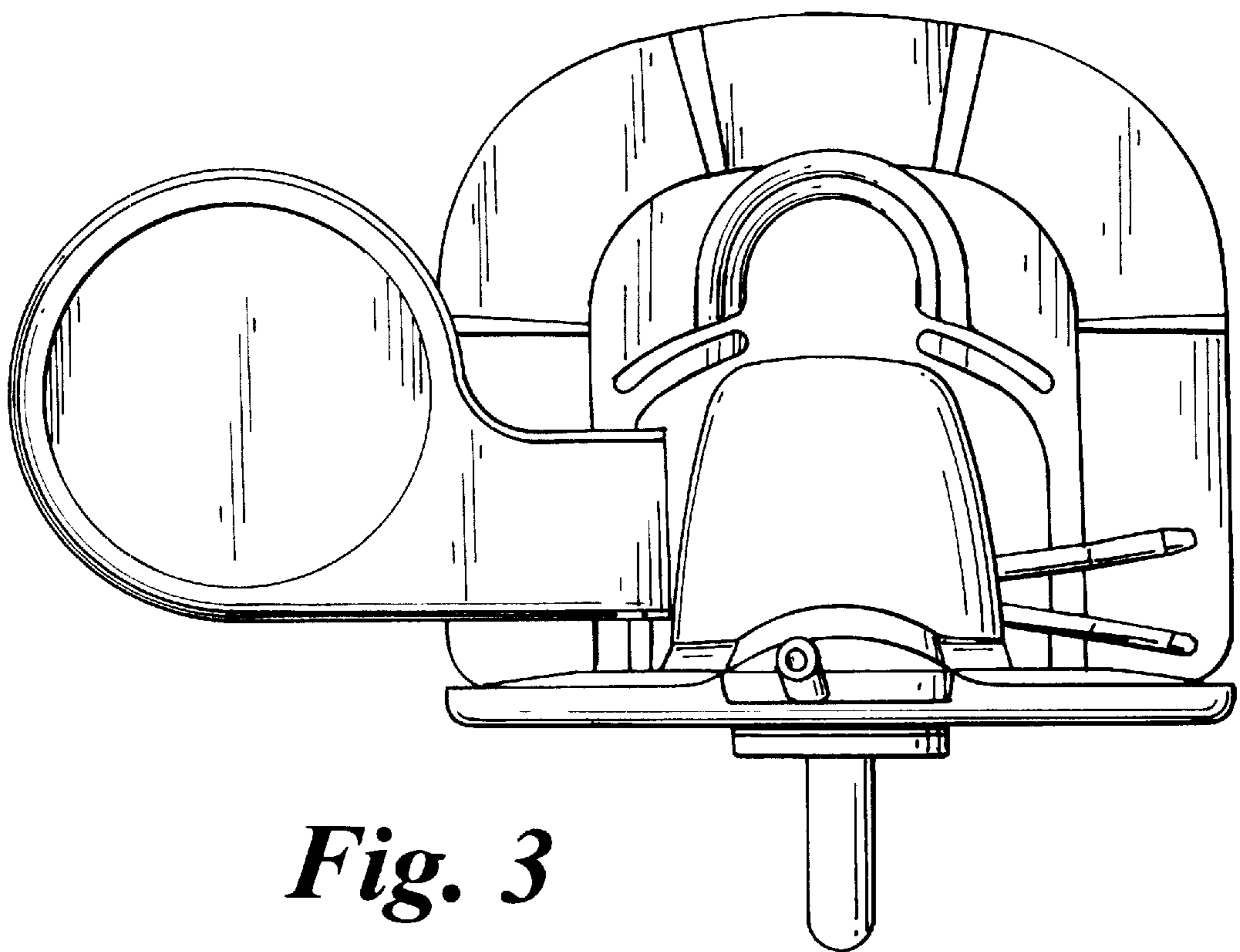


Fig. 3

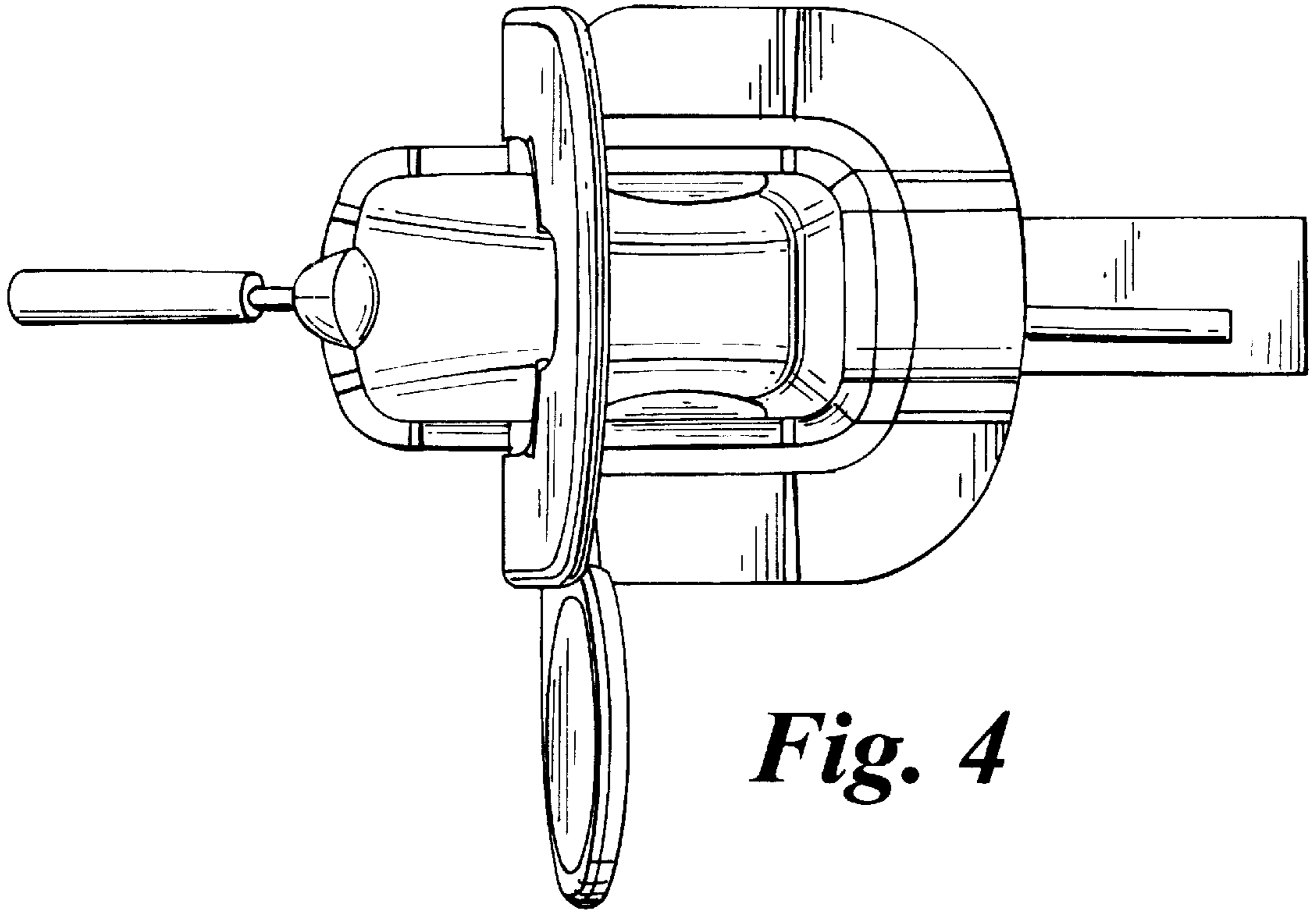


Fig. 4

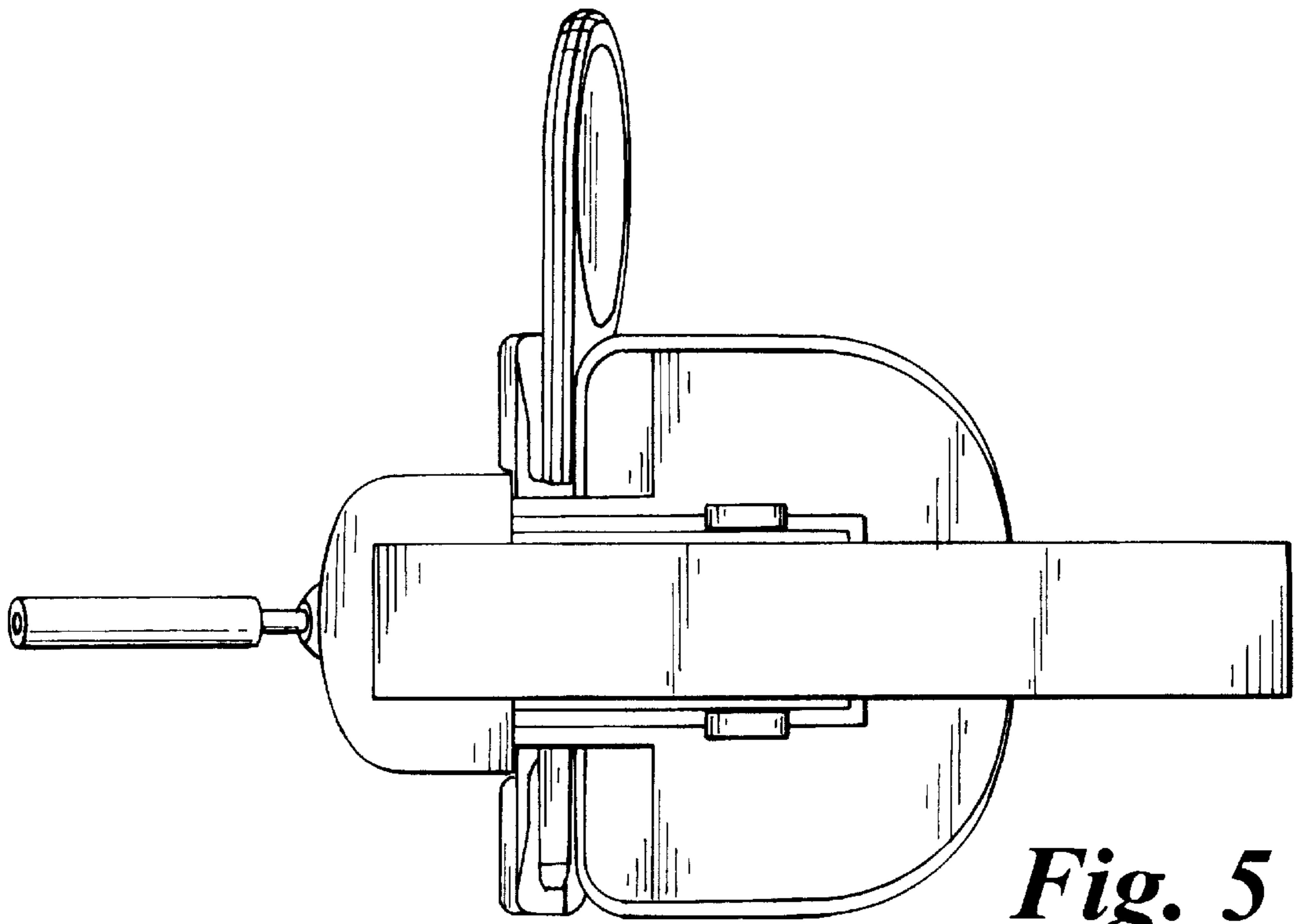


Fig. 5

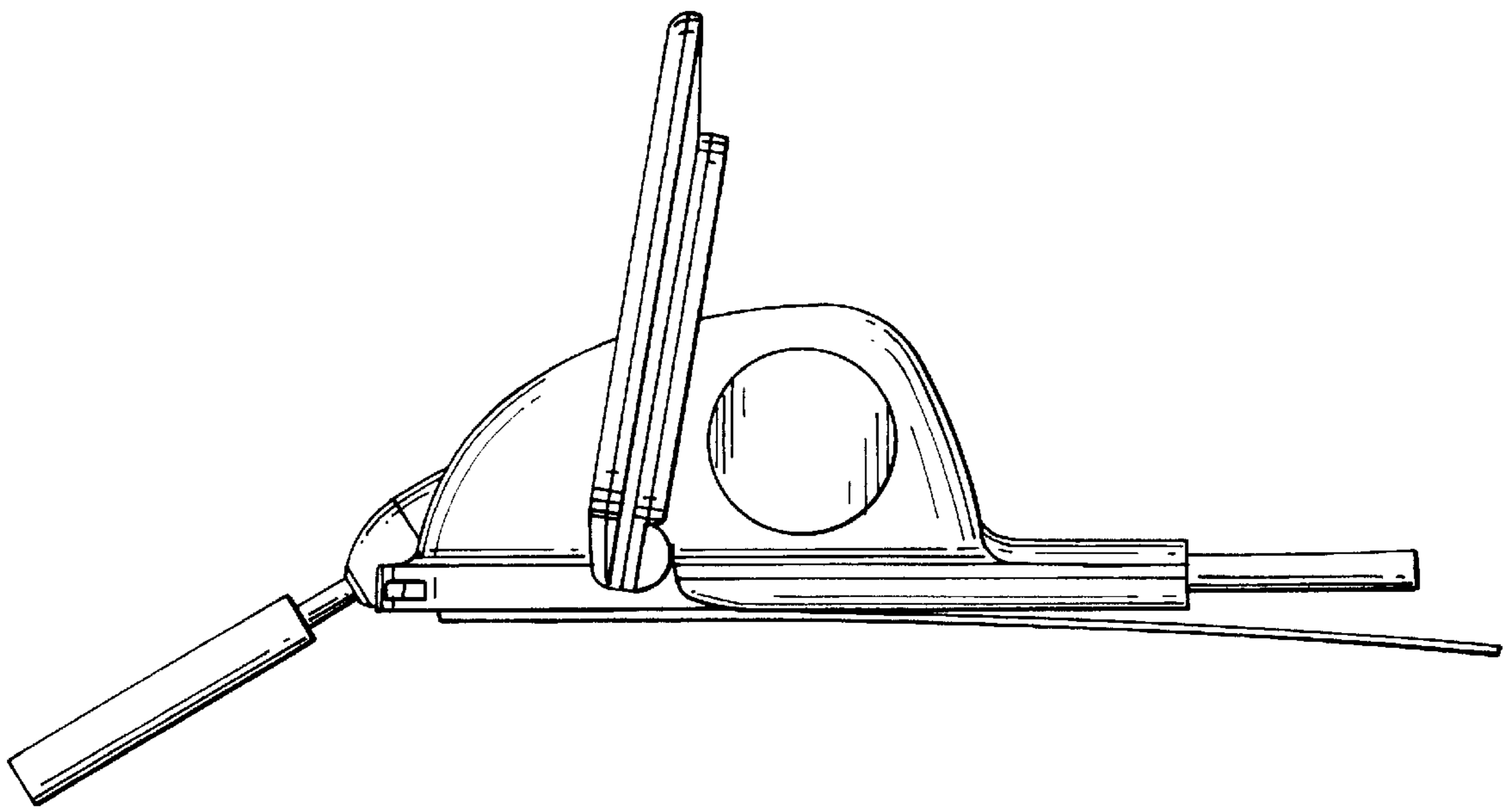


Fig. 6

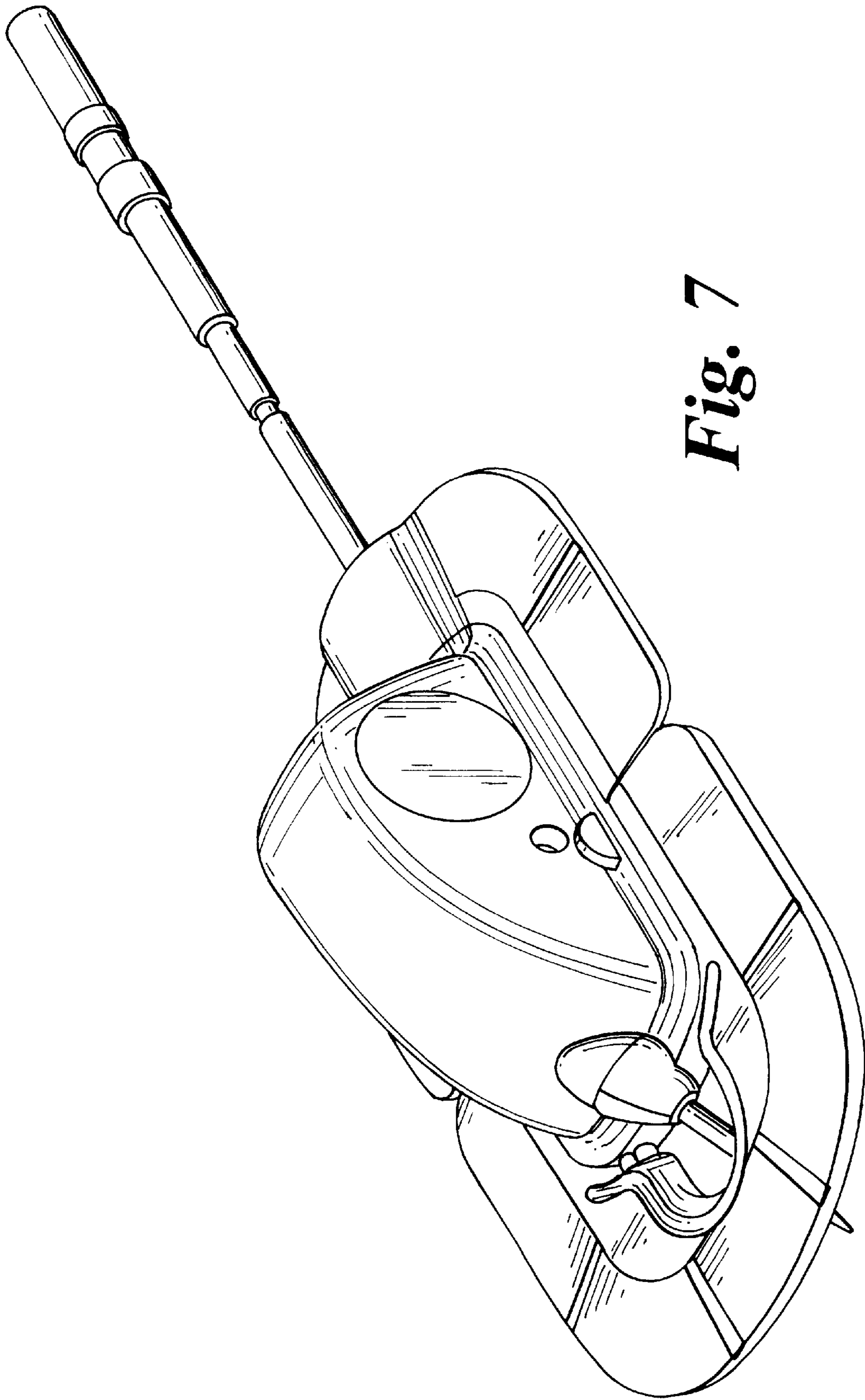


Fig. 7

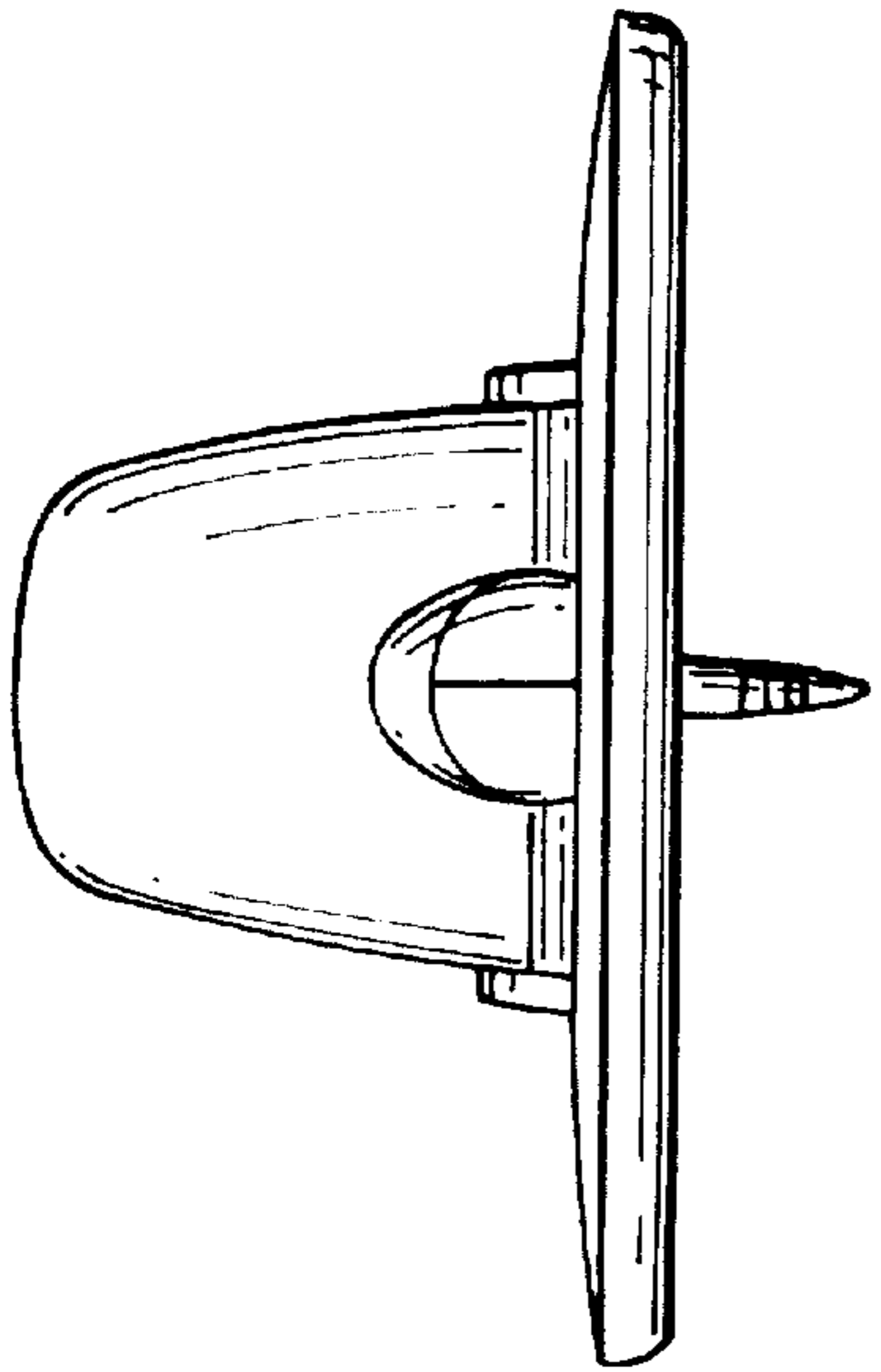


Fig. 8

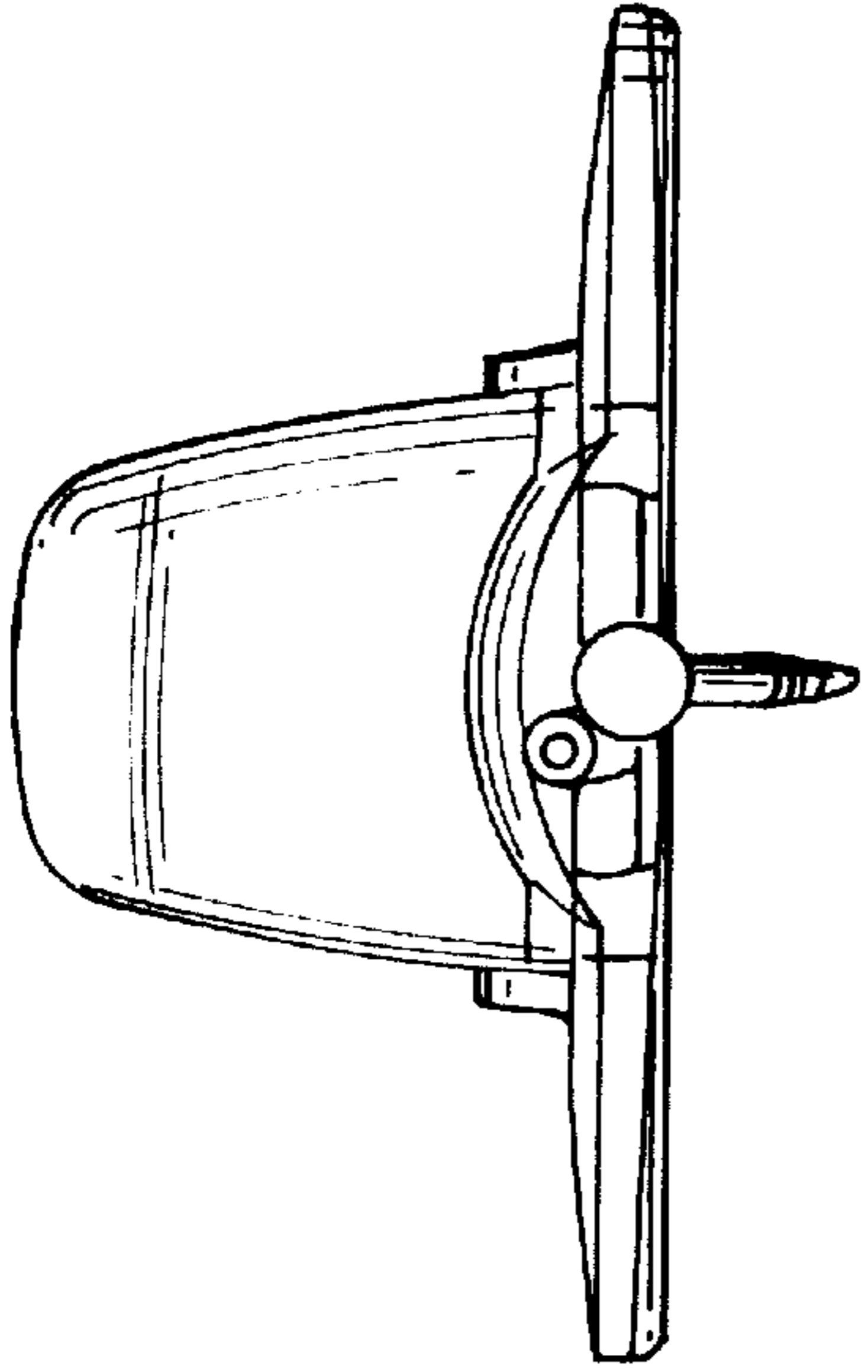


Fig. 9

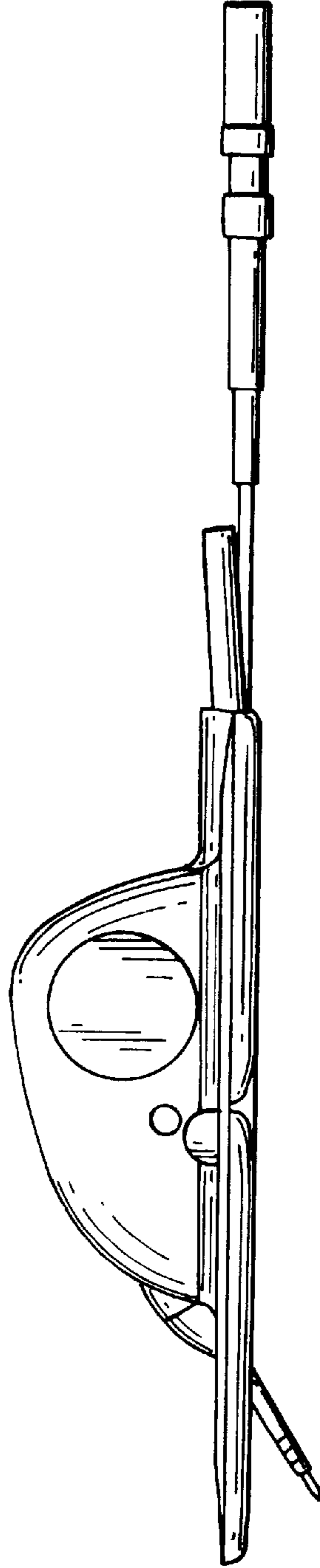


Fig. 10

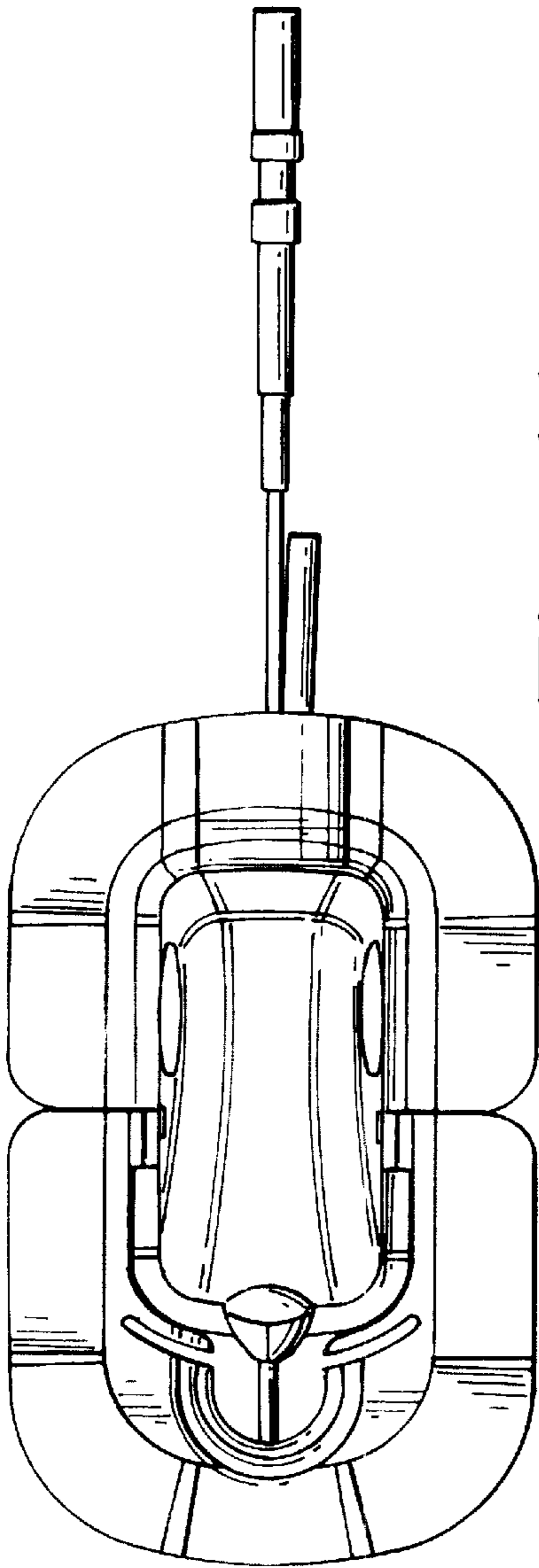


Fig. 11

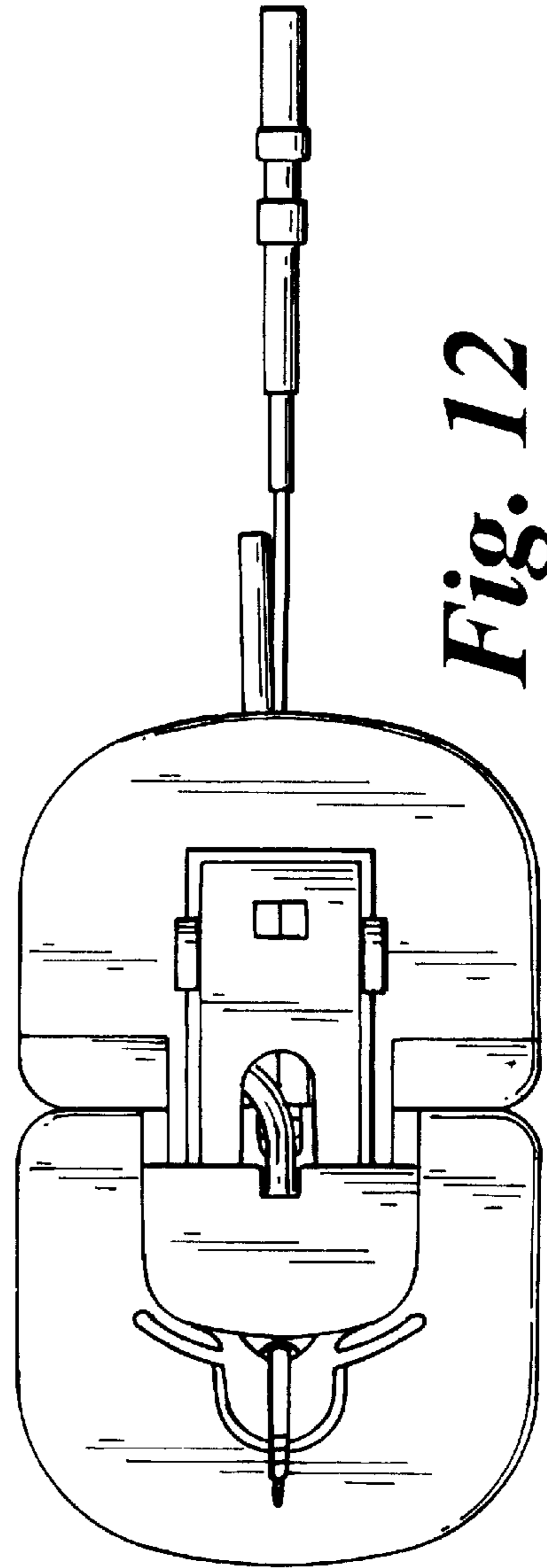


Fig. 12