



US00D467659S

(12) **United States Design Patent** (10) **Patent No.:** **US D467,659 S**
Hörth (45) **Date of Patent:** **** Dec. 24, 2002**

(54) **CARTRIDGE FOR CONTAINING AND MIXING IMPRESSION MATERIAL FOR MAKING DENTAL IMPRESSIONS AND CASTS**

(75) Inventor: **Hans Hörth**, Hamburg (DE)

(73) Assignee: **Ernst Muhlbauer GmbH & Co. KG**, Norderfreidrichskoog (DE)

(**) Term: **14 Years**

(21) Appl. No.: **29/133,558**

(22) Filed: **Dec. 1, 2000**

(30) **Foreign Application Priority Data**

Jun. 10, 2000 (DE) 4 00 05 815

(51) **LOC (7) Cl.** **24-01**

(52) **U.S. Cl.** **D24/152**

(58) **Field of Search** D24/108, 152;
366/602, 110, 139, 209

(56) **References Cited**

U.S. PATENT DOCUMENTS

3,347,530 A	*	10/1967	Platt	366/110
3,411,755 A	*	11/1968	Strauss et al.	366/145
3,749,371 A	*	7/1973	Folkenroth et al.	366/209
4,531,839 A	*	7/1985	Cunisse et al.	366/110
4,577,973 A	*	3/1986	Occelli	366/139
4,889,432 A	*	12/1989	Patterson	366/139

* cited by examiner

Primary Examiner—Stella Reid

(74) *Attorney, Agent, or Firm*—Nils H. Ljungman & Associates

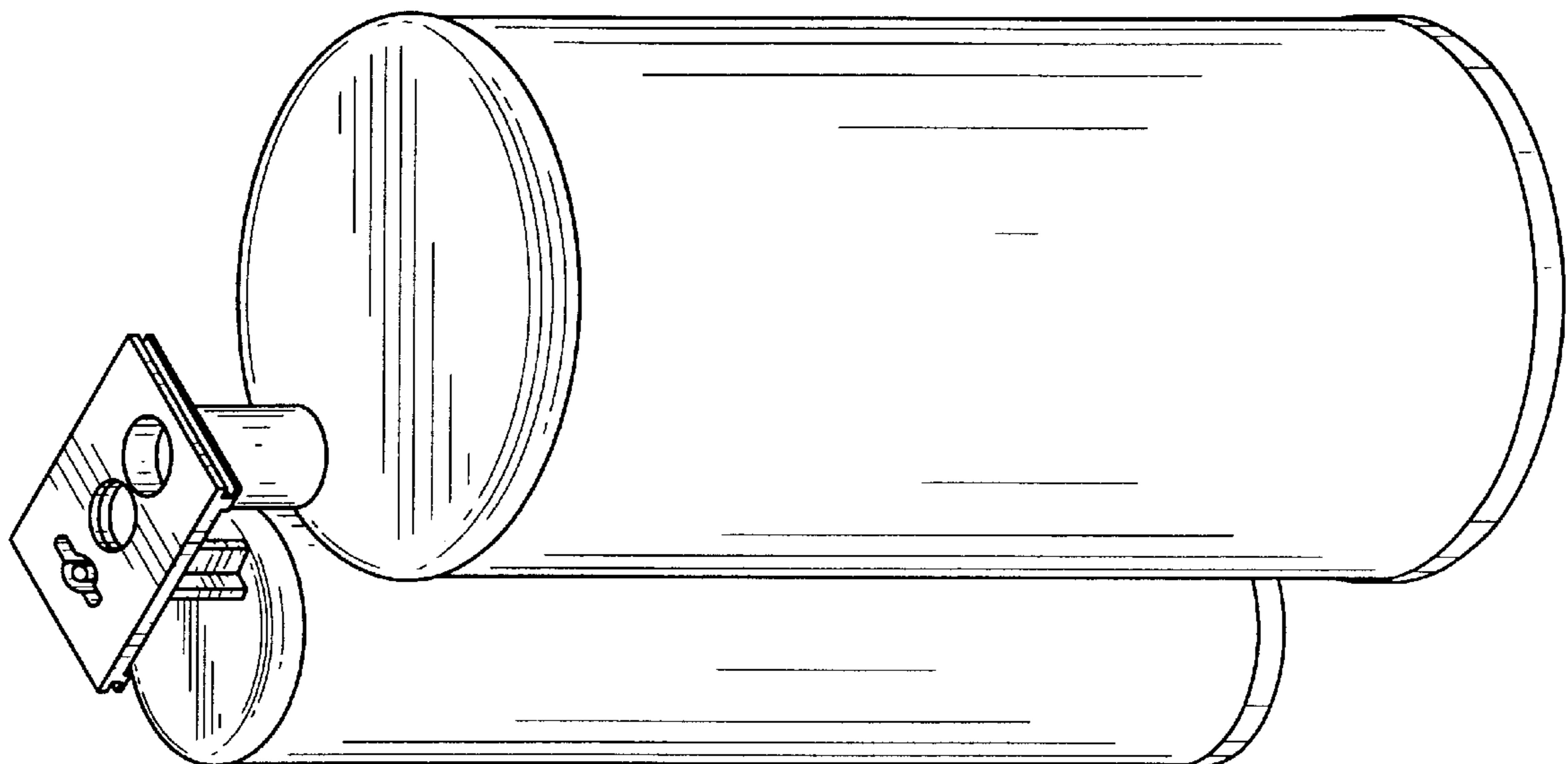
(57) **CLAIM**

The ornamental design for a cartridge for containing and mixing impression material for making dental impressions and casts, as shown and described.

DESCRIPTION

FIG. 1 is a perspective view of the cartridge.
 FIG. 2 is a left side view of the cartridge shown in FIG. 1.
 FIG. 3 is a right side view of the cartridge shown in FIG. 1.
 FIG. 4 is a top view of the cartridge shown in FIG. 1.
 FIG. 5 is a bottom view of the cartridge shown in FIG. 1.
 FIG. 6 is a front view of the cartridge shown in FIG. 1.
 FIG. 7 is a back view of the cartridge shown in FIG. 1.
 FIG. 8 is a perspective view of a locking device for securing a dispensing tip to the cartridge according to at least one embodiment of the present invention.
 FIG. 9 is a perspective view of the cartridge with the locking device connected to it.
 FIG. 10 is a perspective view of a dispensing tip for use with the cartridge according to at least one embodiment of the present invention.
 FIG. 11 is a perspective view of the cartridge with the dispensing tip connected to it by the locking device.
 FIG. 12 is a left side view of the cartridge with the locking device connected to it.
 FIG. 13 is a right side view of the cartridge with the locking device connected to it.
 FIG. 14 is a view of the cartridge as shown in FIG. 12, but with a cover for the openings in the cartridge.
 FIG. 15 is a top view of the cartridge shown in FIG. 14.
 FIG. 16 is a bottom view of the cartridge shown in FIG. 14.
 FIG. 17 is a back view of the cartridge shown in FIG. 14.
 FIG. 18 is a front view of the cover shown in FIG. 14; and,
 FIG. 19 is a back view of the cover shown in FIG. 14.

1 Claim, 19 Drawing Sheets



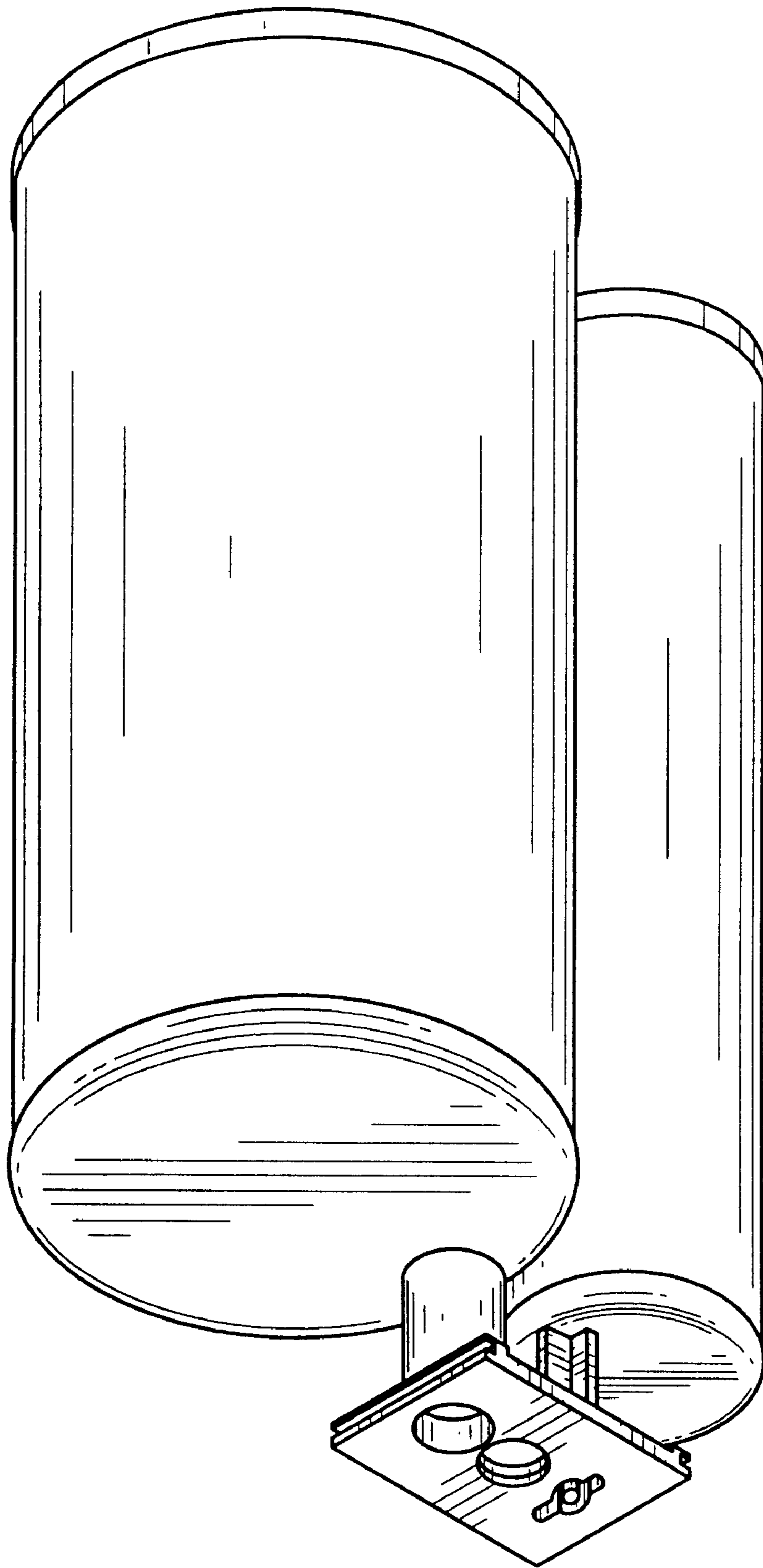


FIG. 1

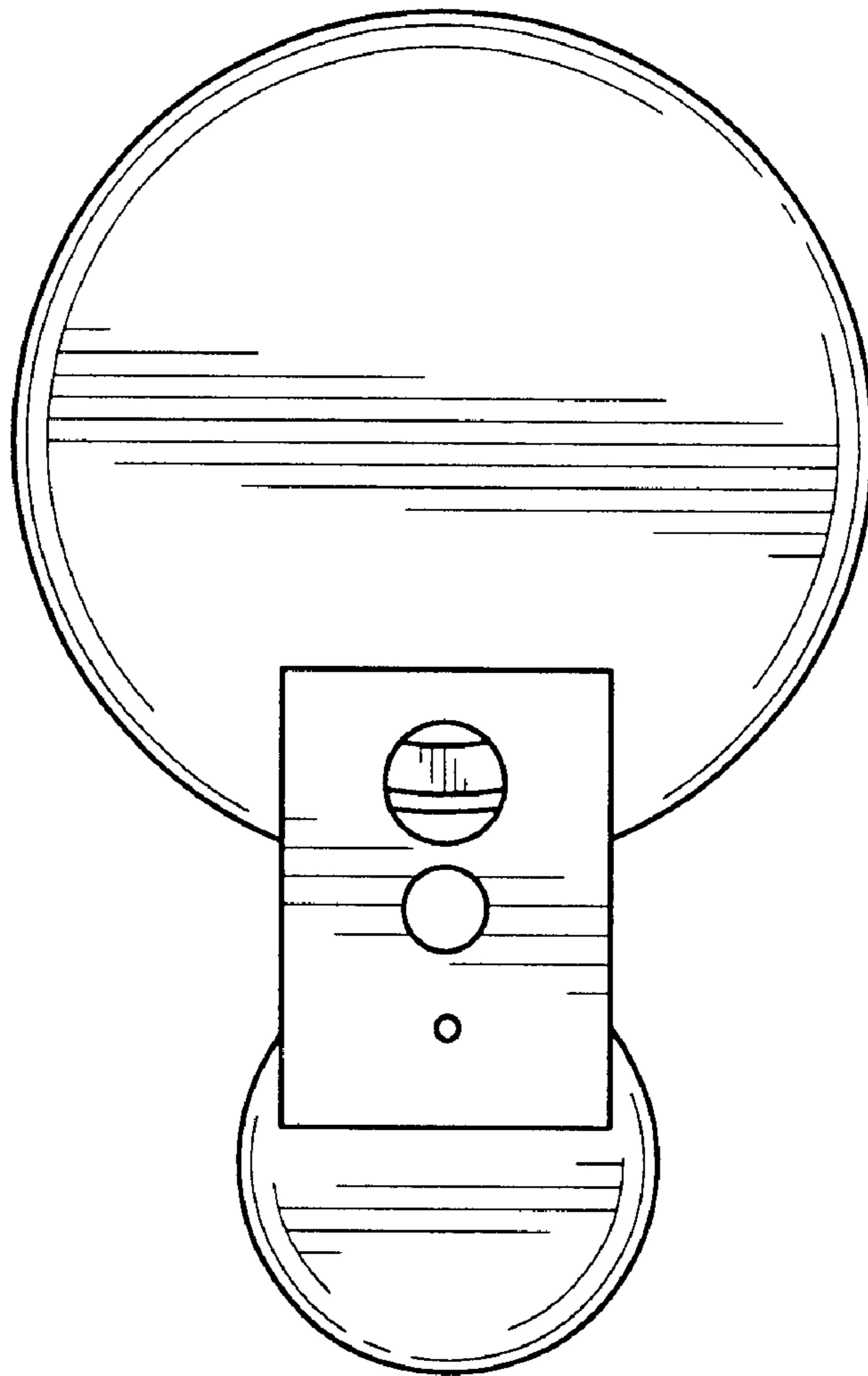


FIG. 2

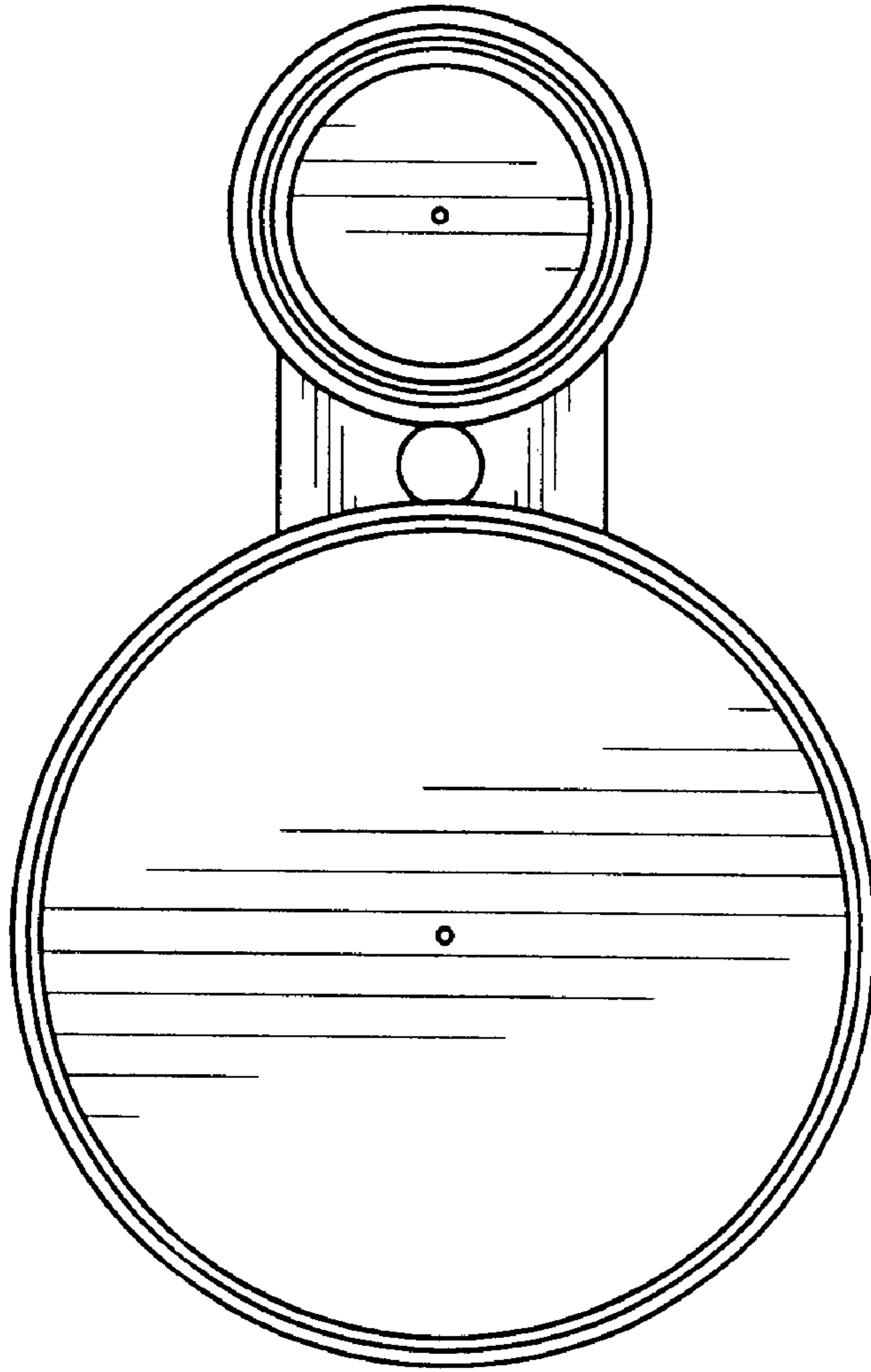


FIG. 3

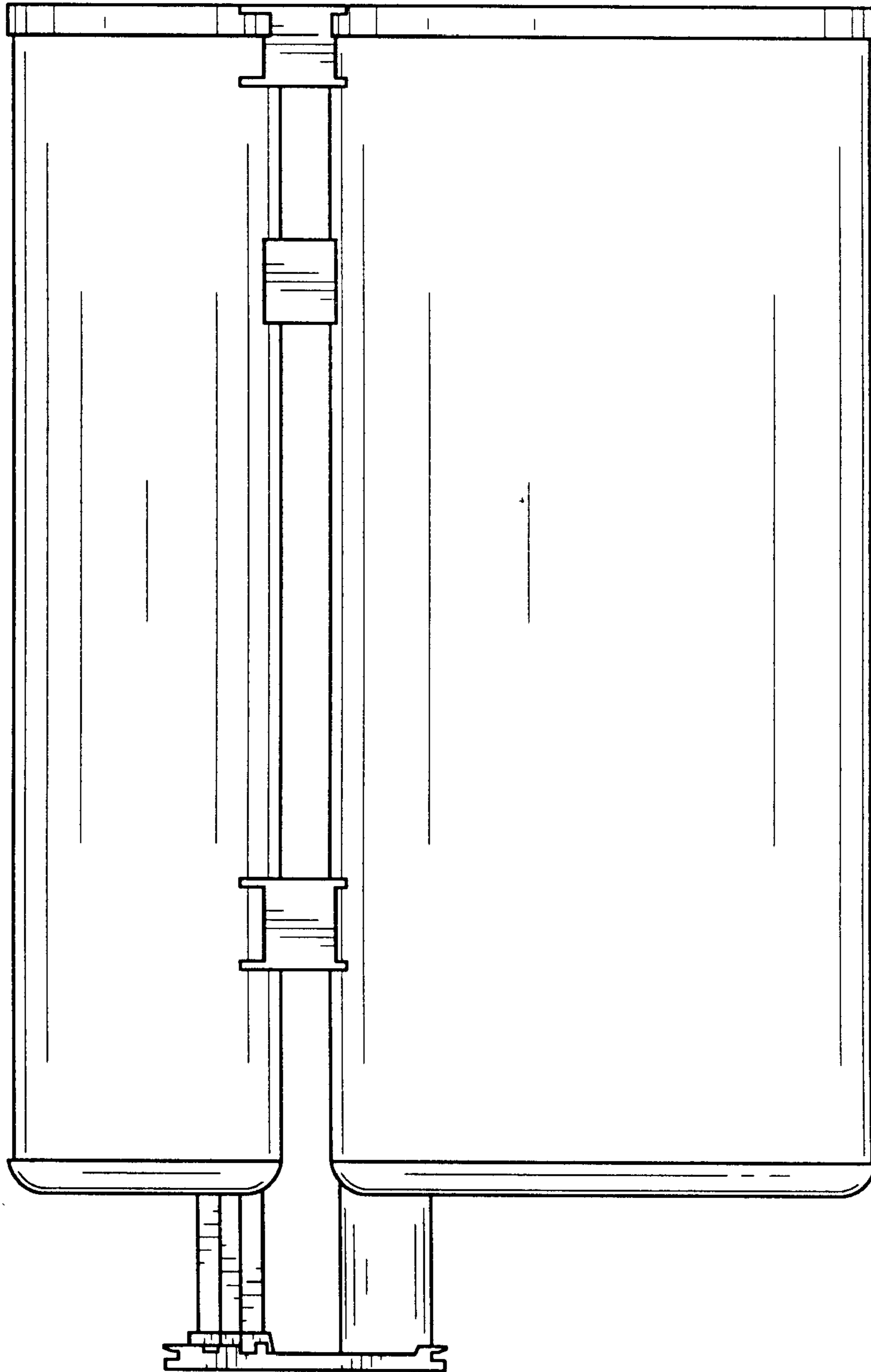


FIG. 4

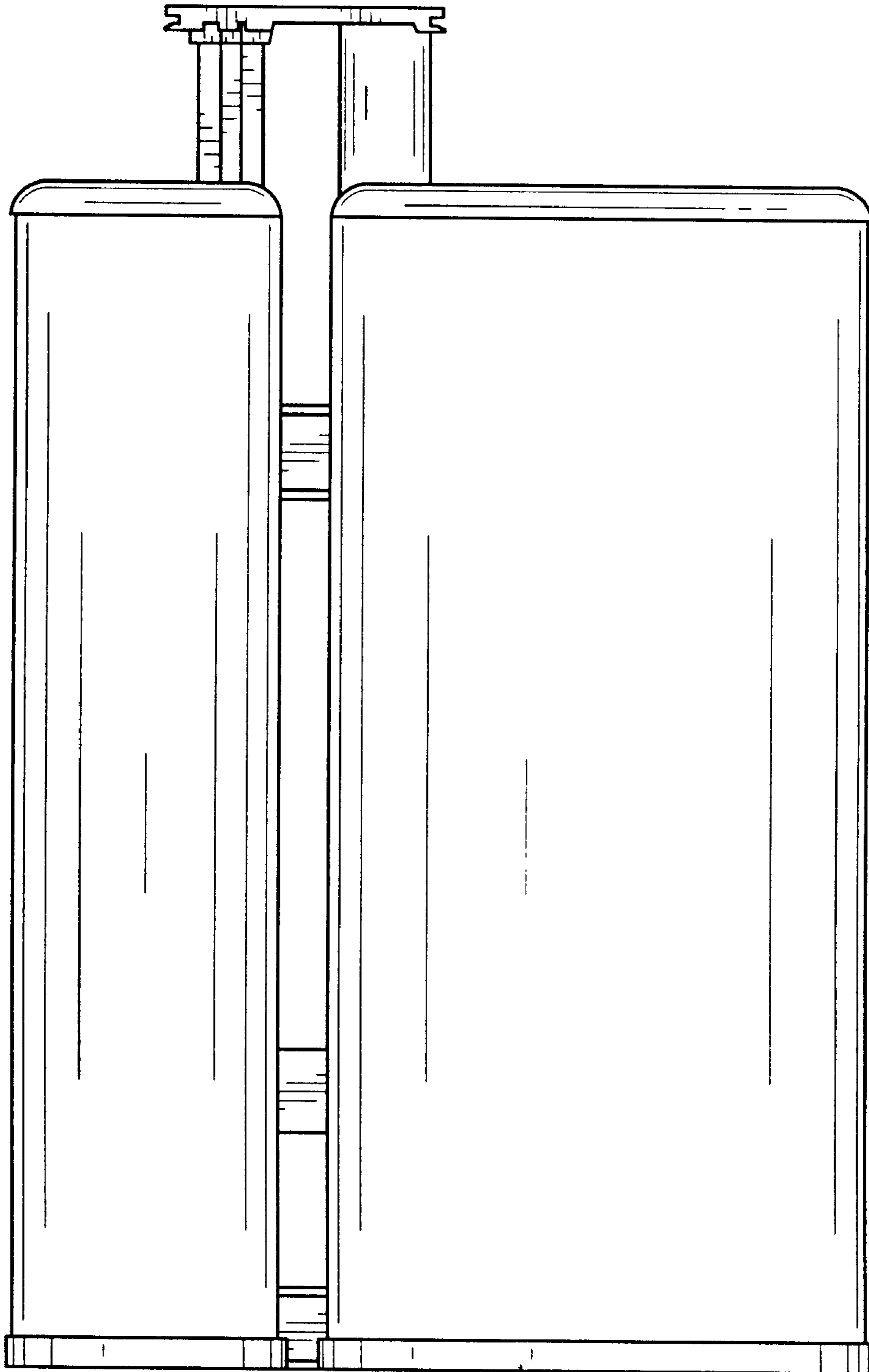


FIG. 5

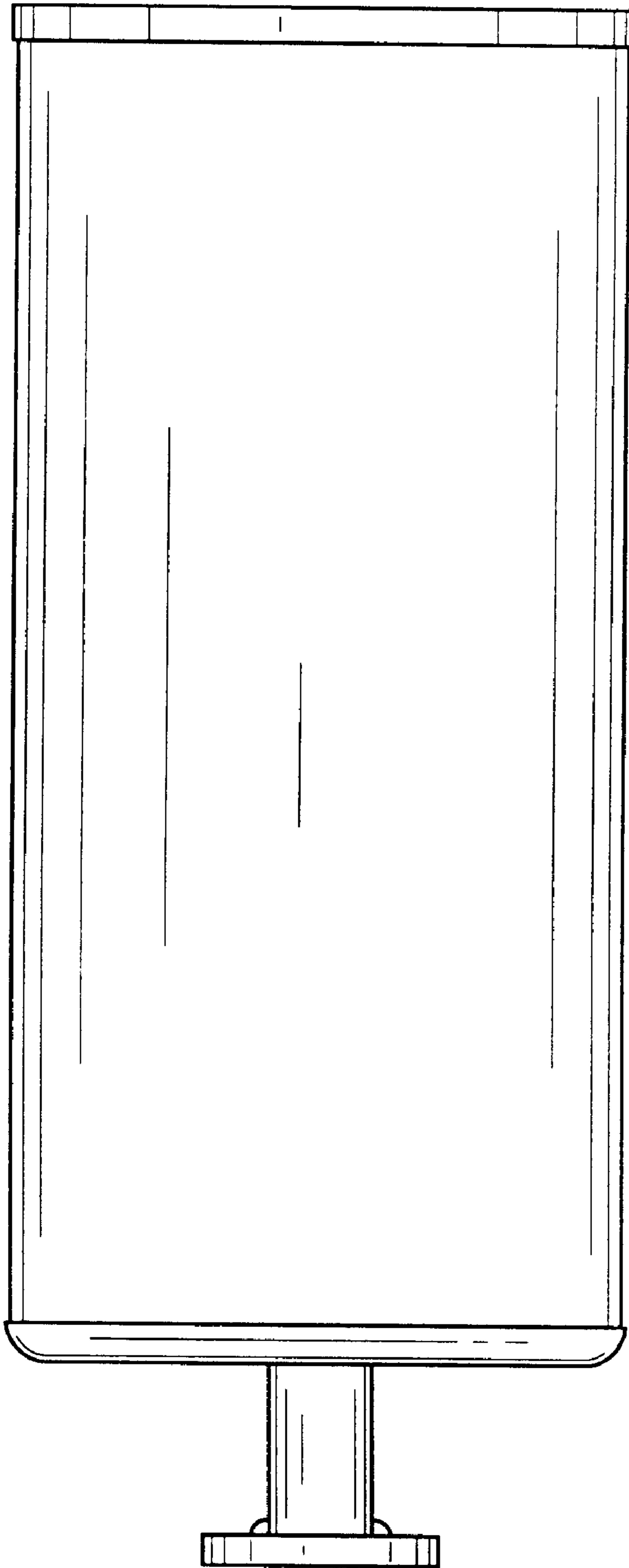


FIG. 6

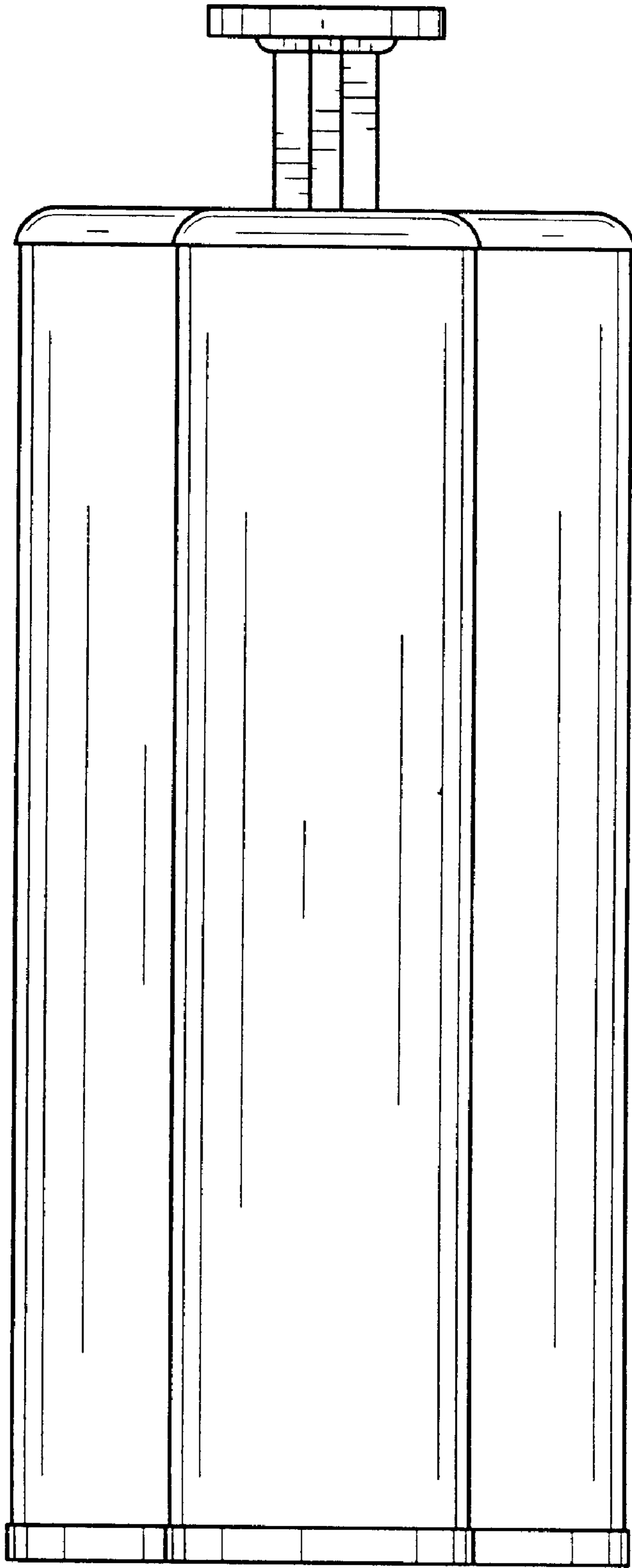


FIG. 7

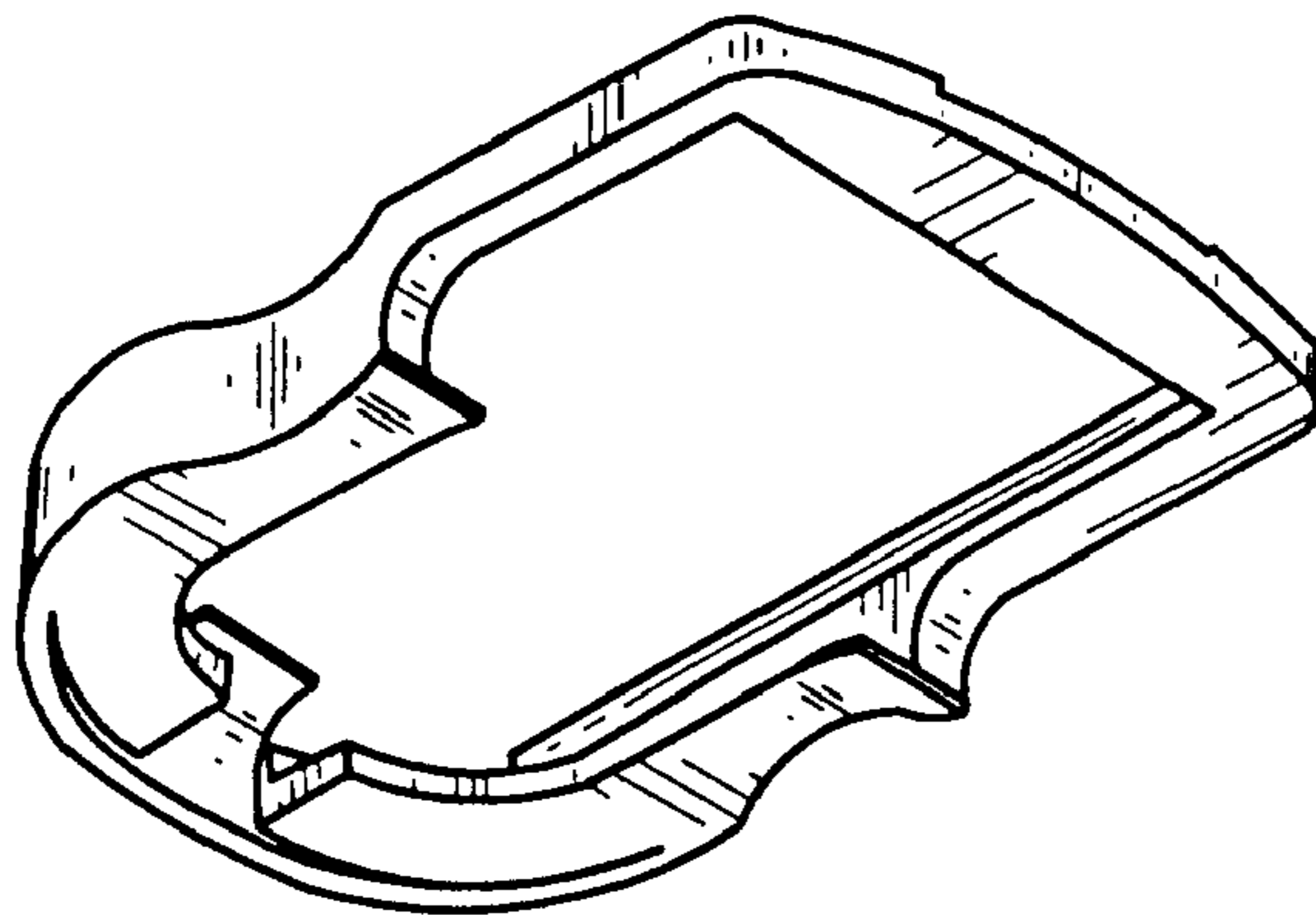


FIG. 8

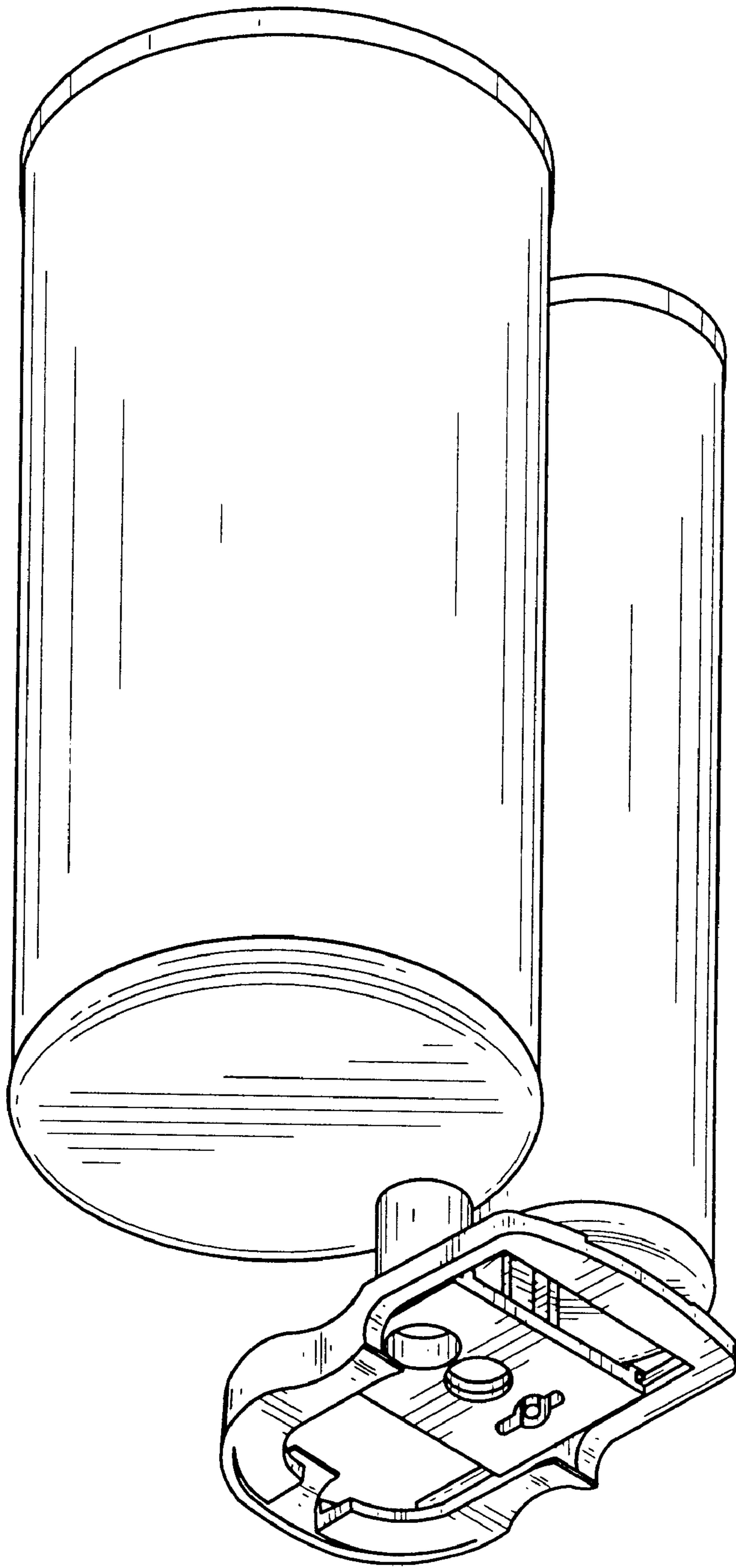


FIG. 9

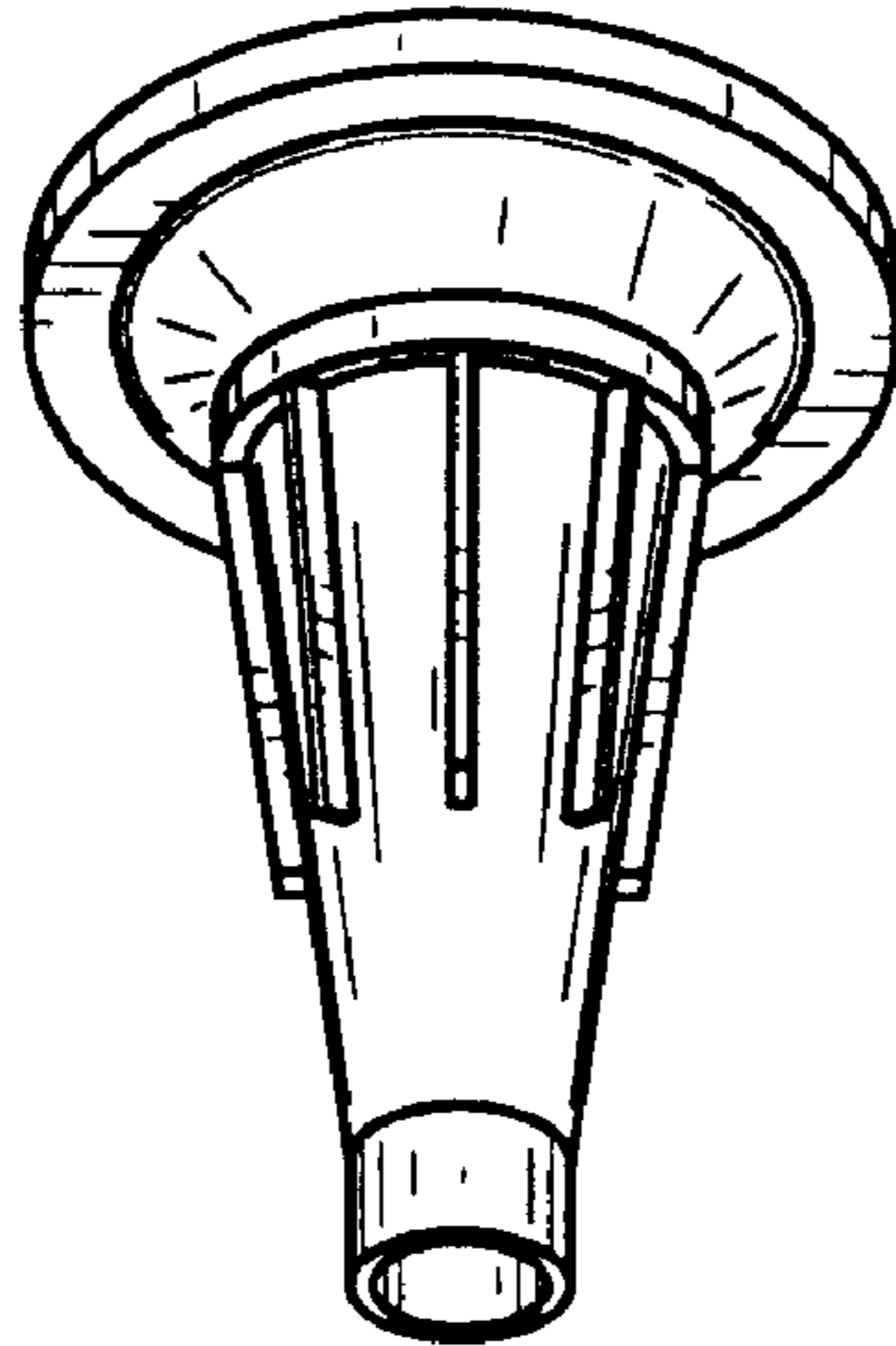


FIG. 10

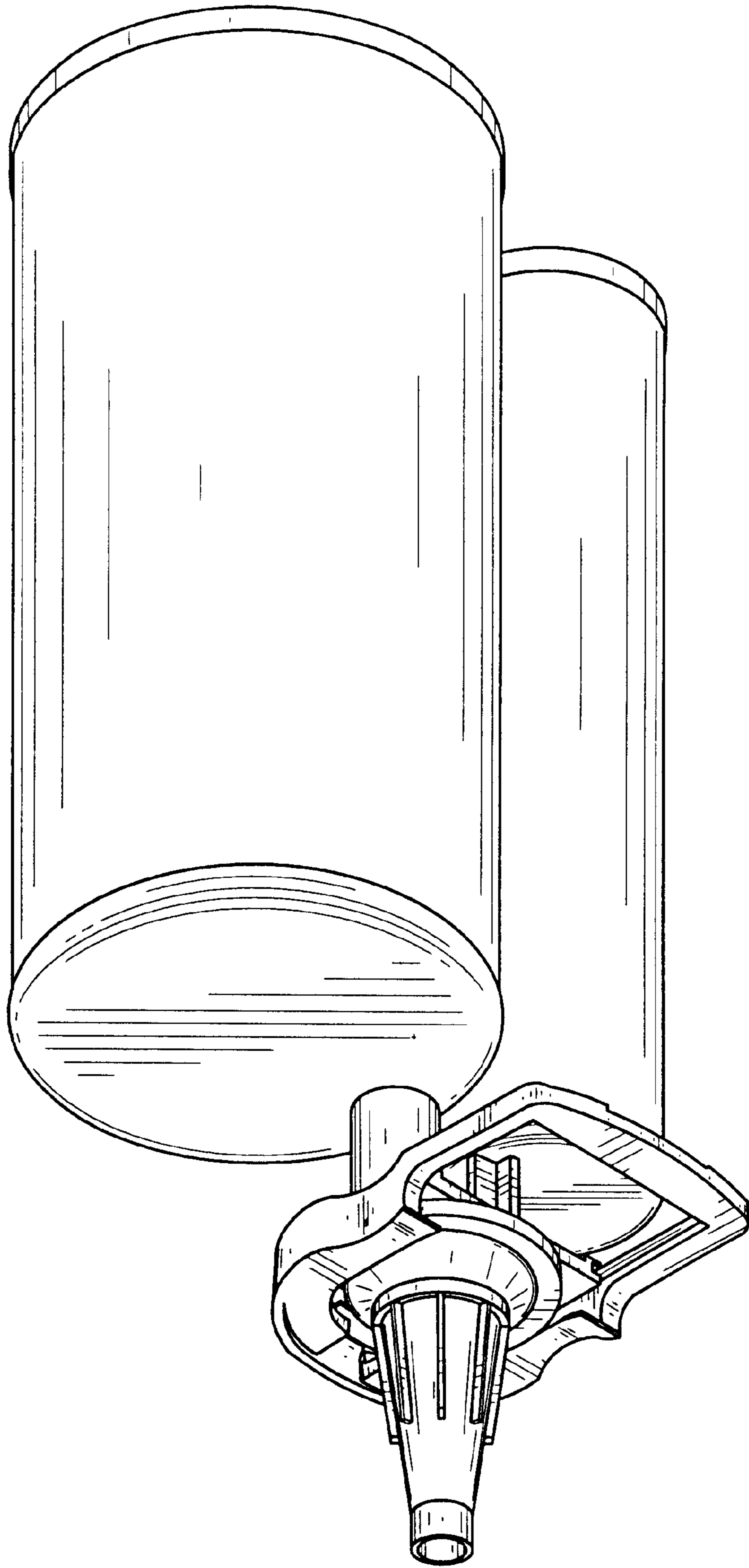


FIG. 11

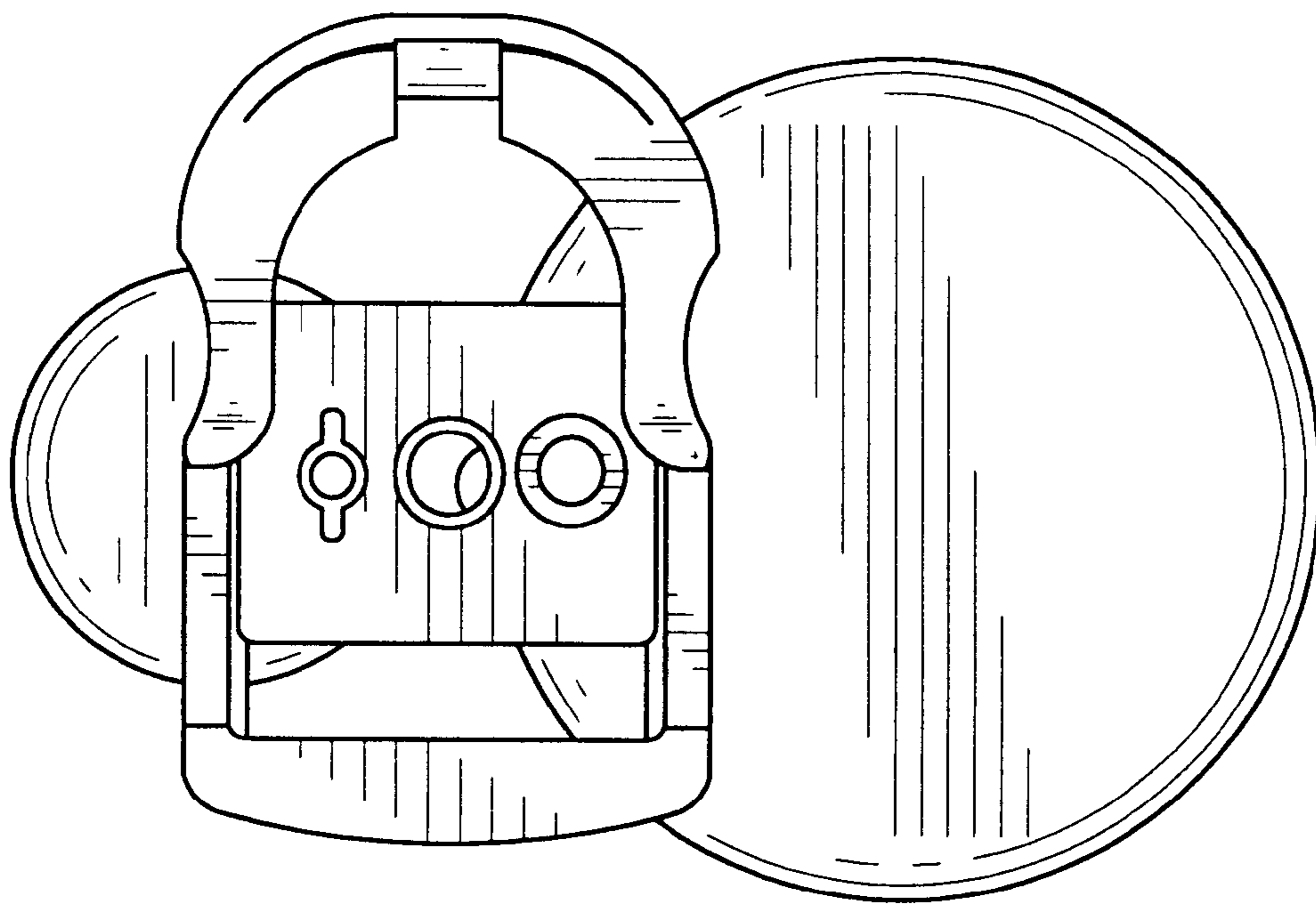


FIG. 12

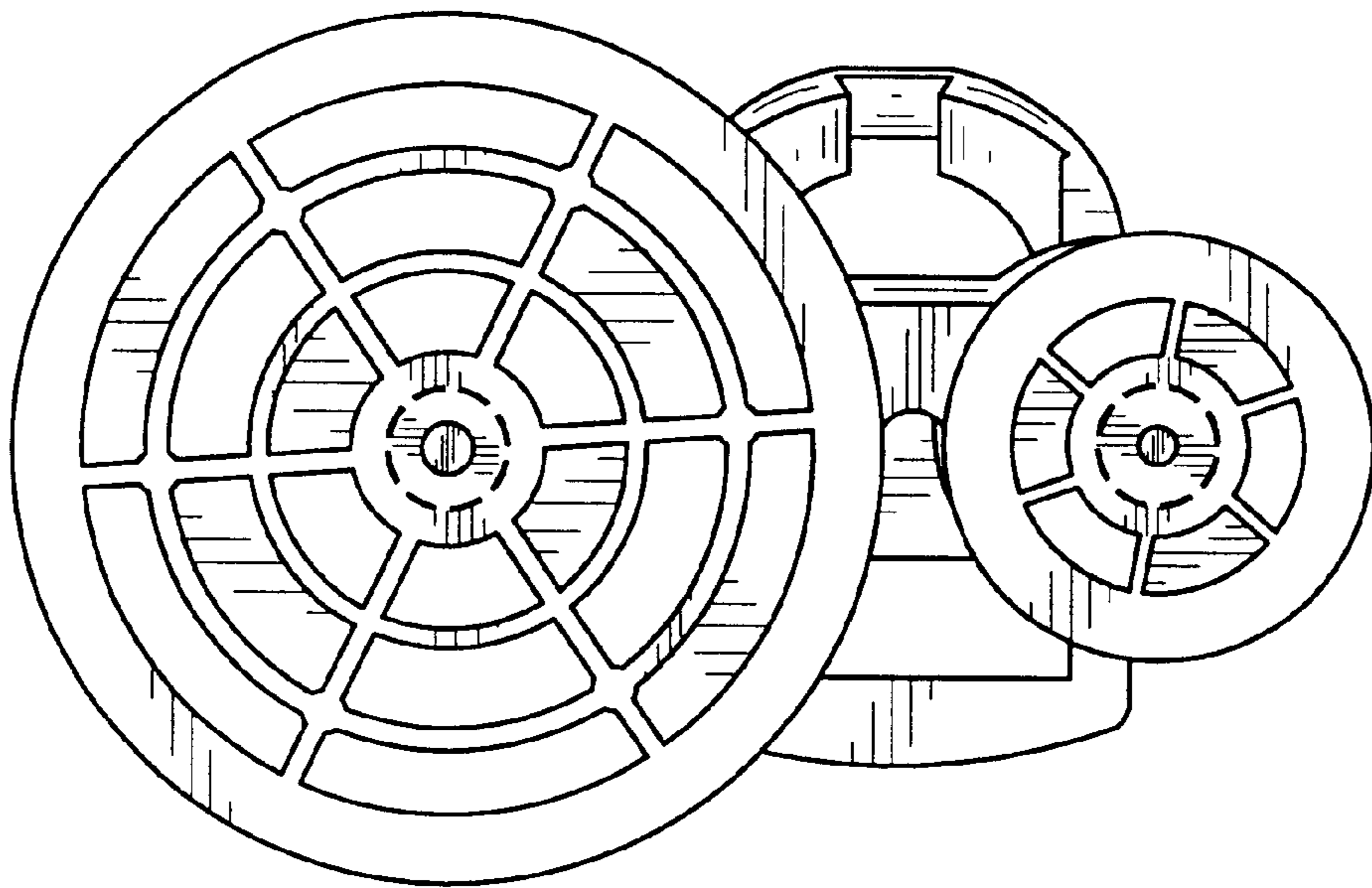


FIG. 13

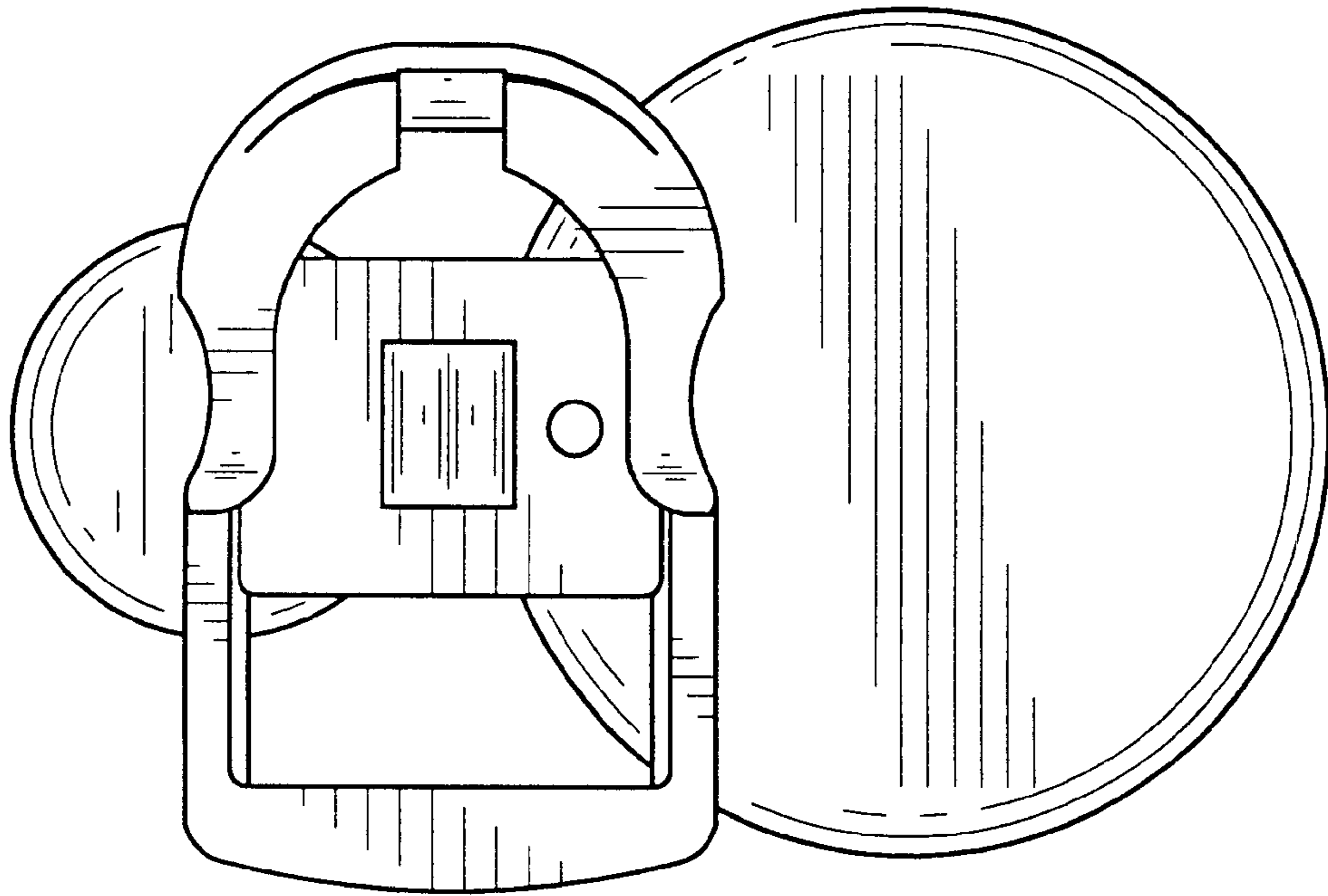


FIG. 14

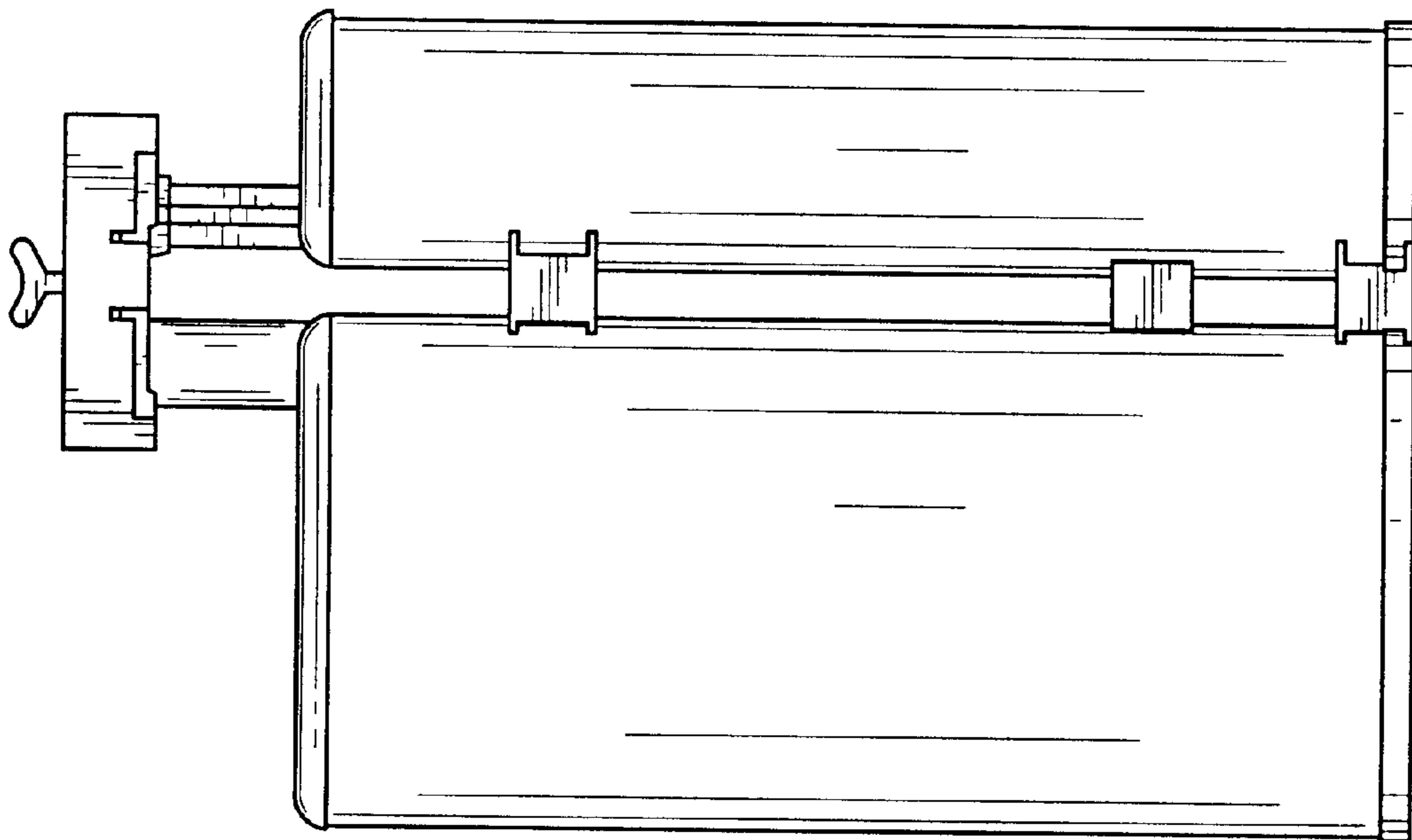


FIG. 15

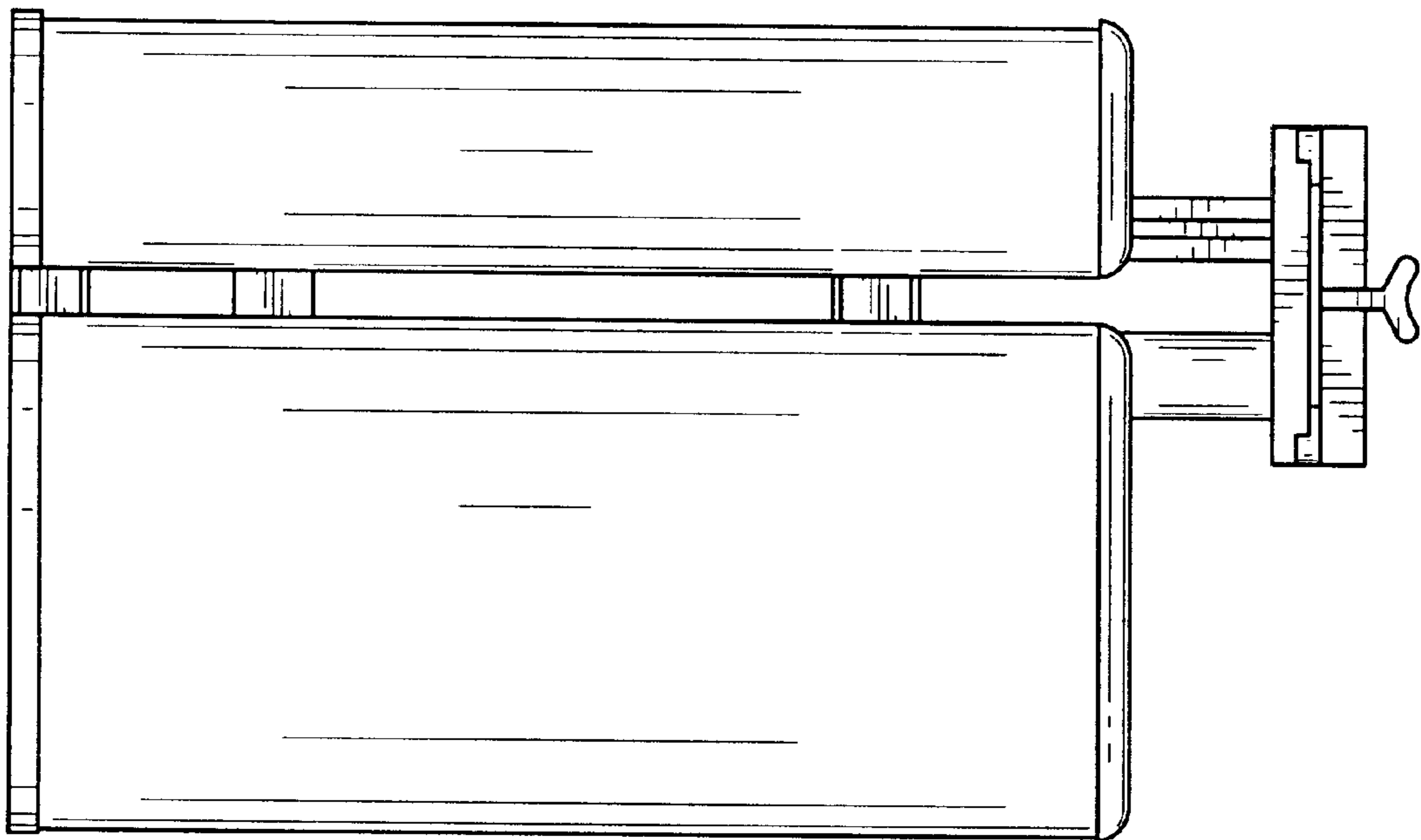


FIG. 16

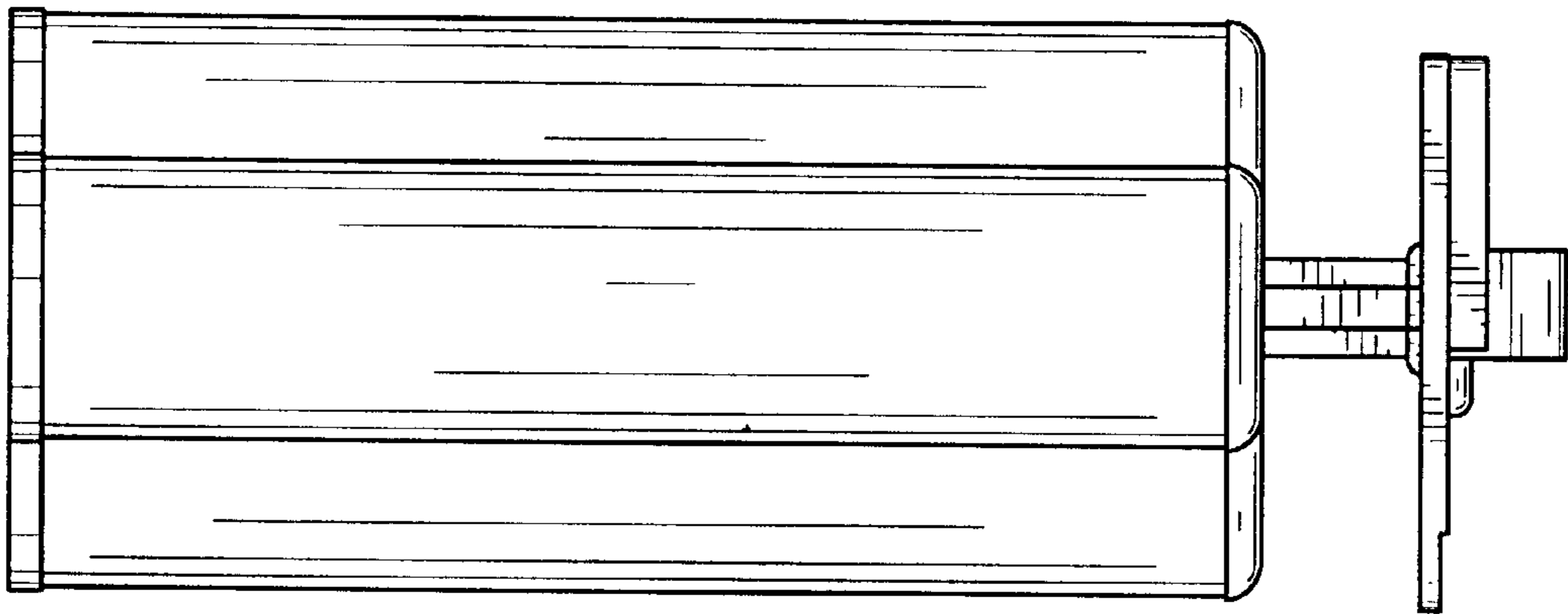


FIG. 17

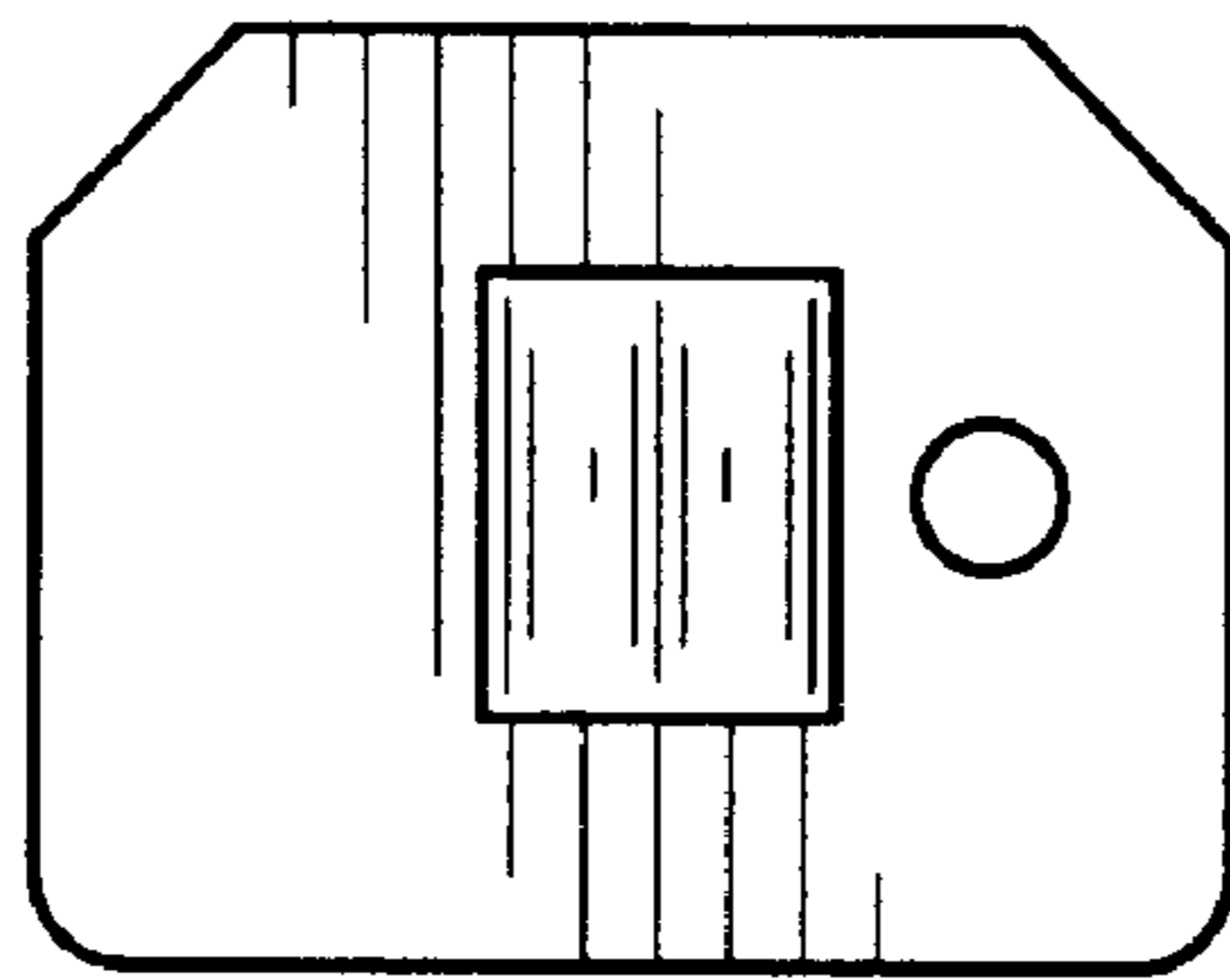


FIG. 18

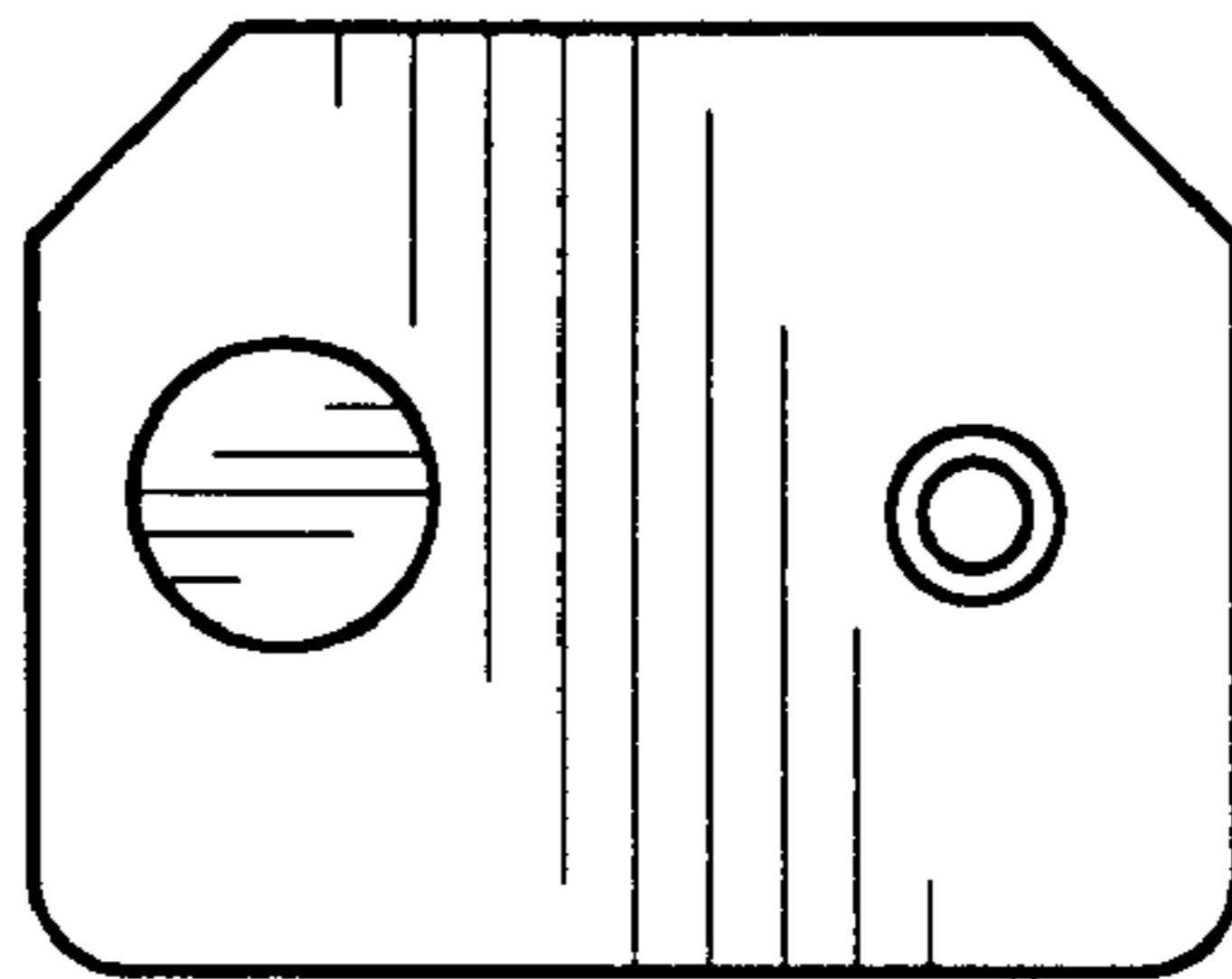


FIG. 19