



US00D467654S

(12) **United States Design Patent**
Klug et al.

(10) **Patent No.:** **US D467,654 S**

(45) **Date of Patent:** **** Dec. 24, 2002**

(54) **AIR FILTER ELEMENT HAVING ATTACHED COVER MEMBER**

(75) Inventors: **Jerry John Klug**, Rosemont, MN (US);
William Michael Nyman, Eagan, MN (US);
Bruce Allen Boehrs, Minneapolis, MN (US)

(73) Assignee: **Donaldson Company, Inc.**,
Minneapolis, MN (US)

(**) Term: **14 Years**

(21) Appl. No.: **29/135,570**

(22) Filed: **Jan. 12, 2001**

Related U.S. Application Data

(63) Continuation-in-part of application No. 29/131,120, filed on Oct. 13, 2000.

(51) **LOC (7) Cl.** **23-04**

(52) **U.S. Cl.** **D23/365**

(58) **Field of Search** D23/365; 55/510,
55/498, 501

(56) **References Cited**

U.S. PATENT DOCUMENTS

4,350,509 A	9/1982	Alseth et al.
5,112,372 A	5/1992	Boeckermann et al.
5,800,581 A	9/1998	Gielink et al.
D401,306 S	11/1998	Ward et al.
D407,475 S	3/1999	Coulonvaux et al.
D412,567 S	8/1999	Ward et al.
D412,568 S	8/1999	Ward et al.
D421,110 S	2/2000	Coulonvaux et al.
6,051,042 A	8/2000	Coulonvaux

Primary Examiner—Lisa Lichtenstein
(74) *Attorney, Agent, or Firm*—Merchant & Gould P.C.

(57) **CLAIM**

The ornamental design for an air filter element having attached cover member, as shown and described.

DESCRIPTION

FIG. 1 is a perspective view of a first embodiment of an air filter element having attached cover member;
FIG. 2 is a perspective view from an end opposite of that depicted in FIG. 1 of the air filter element having attached cover member; the air filter element having a swirl design on a closed end cap;
FIG. 3 is a right side elevational view of the air filter element having attached cover member depicted in FIG. 1;
FIG. 4 is a left side elevational view of the air filter element having attached cover member depicted in FIG. 1;
FIG. 5 is a top plan view of the air filter element having attached cover member depicted in FIG. 1;
FIG. 6 is a bottom plan view of the air filter element having attached cover member depicted in FIG. 1;
FIG. 7 is a front end elevational view of the air filter element having attached cover member depicted in FIG. 1;
FIG. 8 is a rear end elevational view of the air filter element having attached cover member depicted in FIG. 1; and,
FIG. 9 is a left side elevational view of an alternate embodiment of the air filter element having attached cover member; the perspective views being the same as depicted in FIG. 1 and FIG. 2; a right side elevational view being the same as depicted in FIG. 3; a top view being the same as depicted in FIG. 5; a bottom plan view being the same as depicted in FIG. 6; a front end elevational view being the same as depicted in FIG. 7; and a rear end elevational view being the same as depicted in FIG. 8.

1 Claim, 9 Drawing Sheets

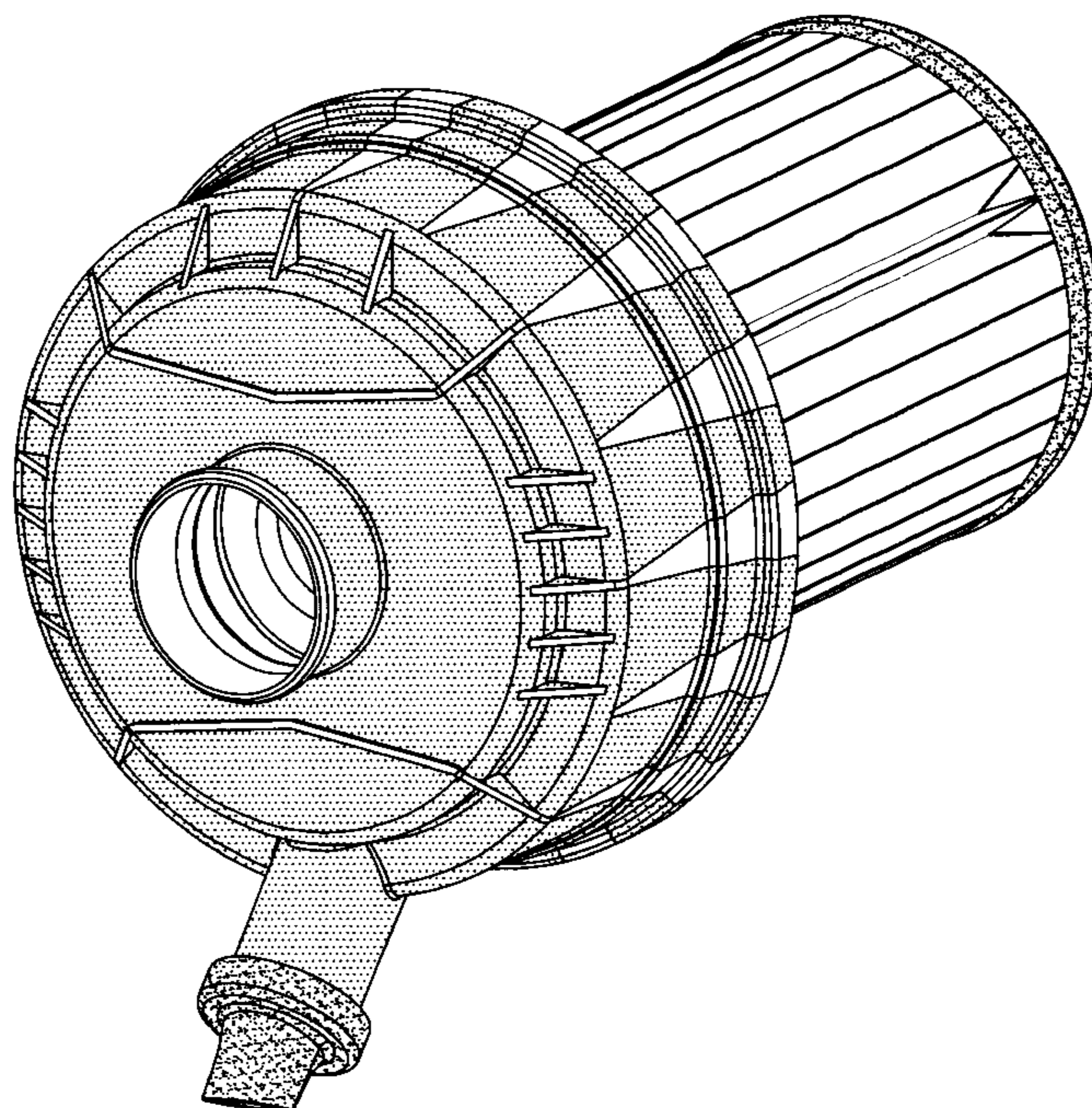
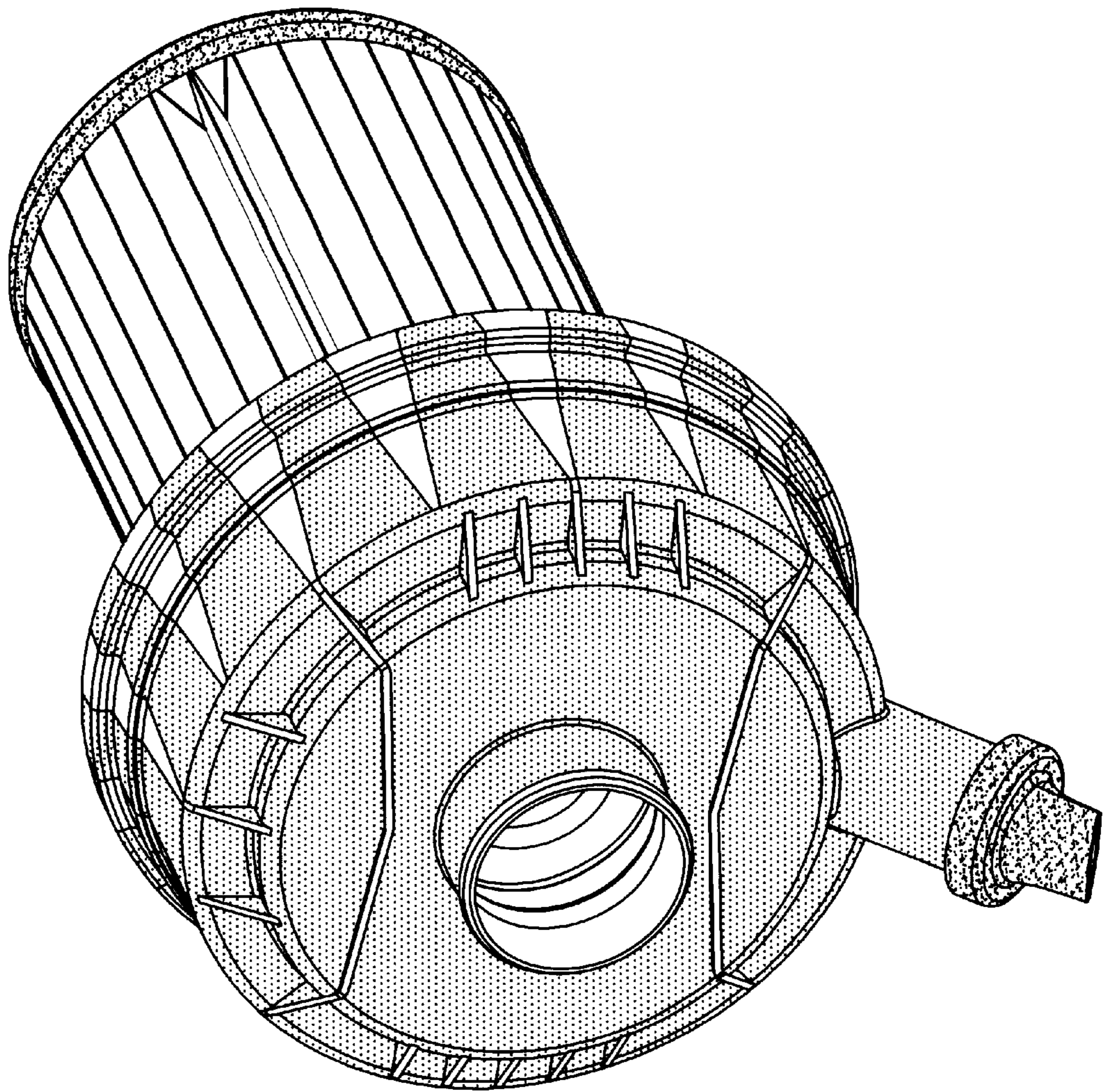


FIG. 1



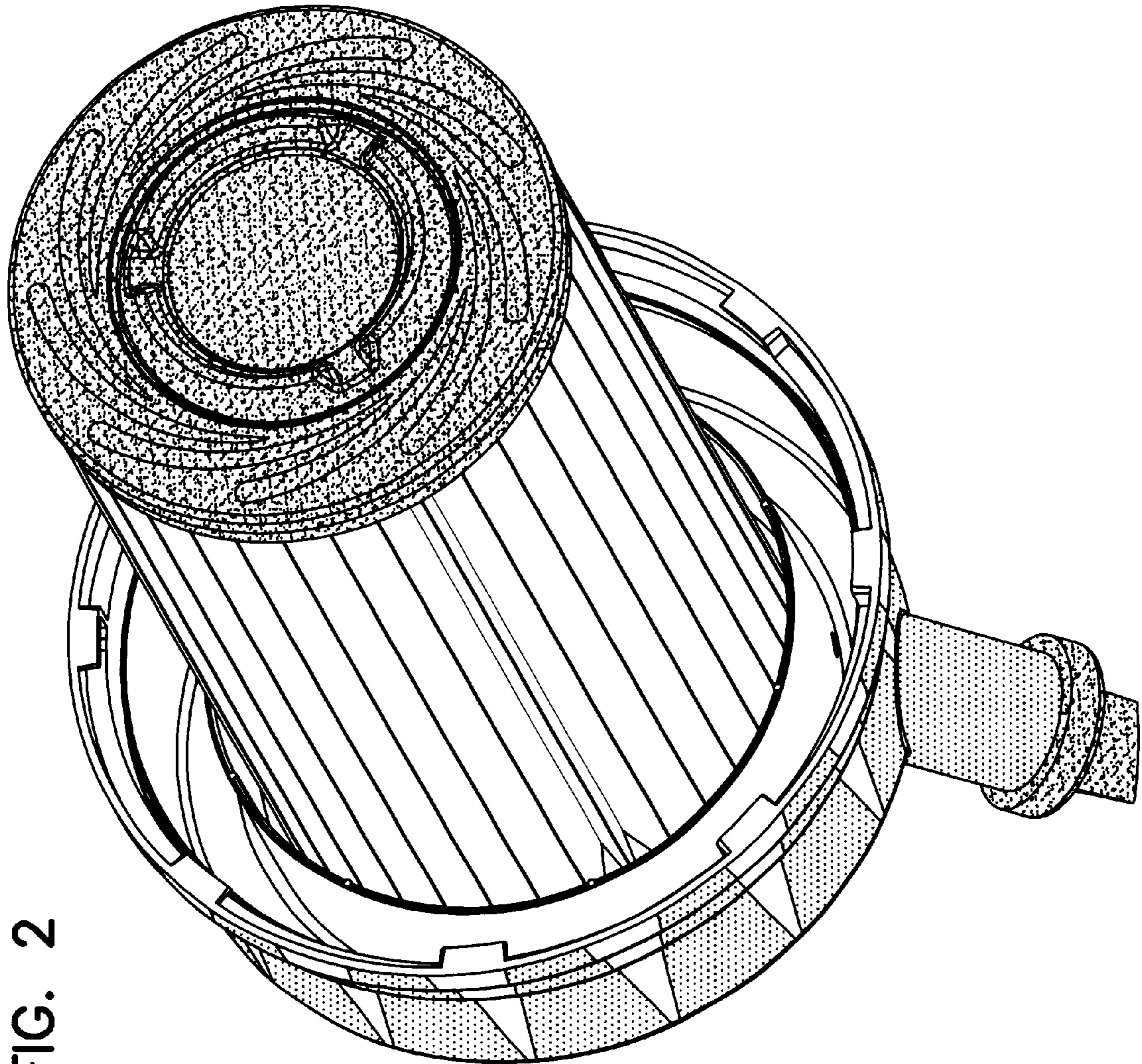
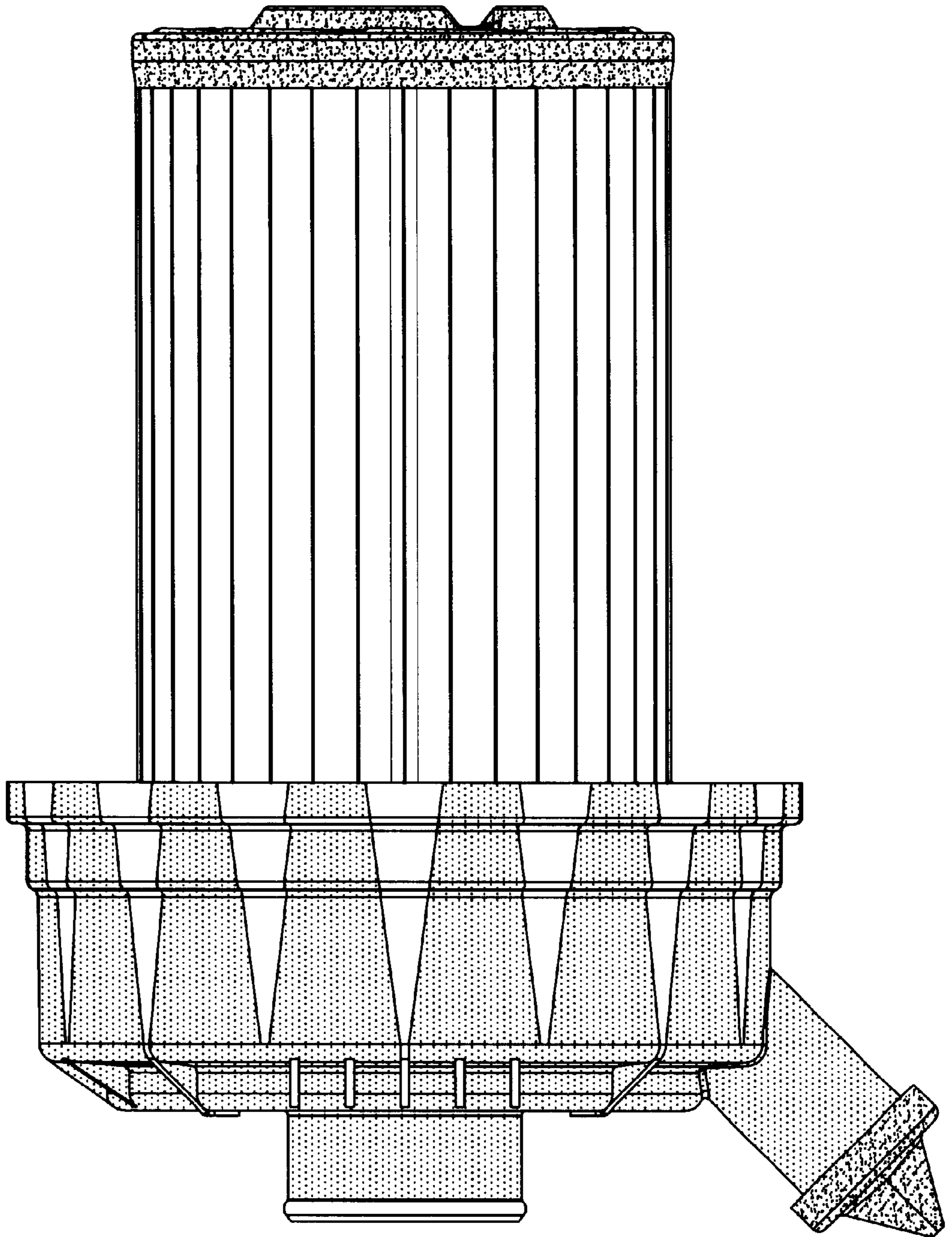


FIG. 2

FIG. 3



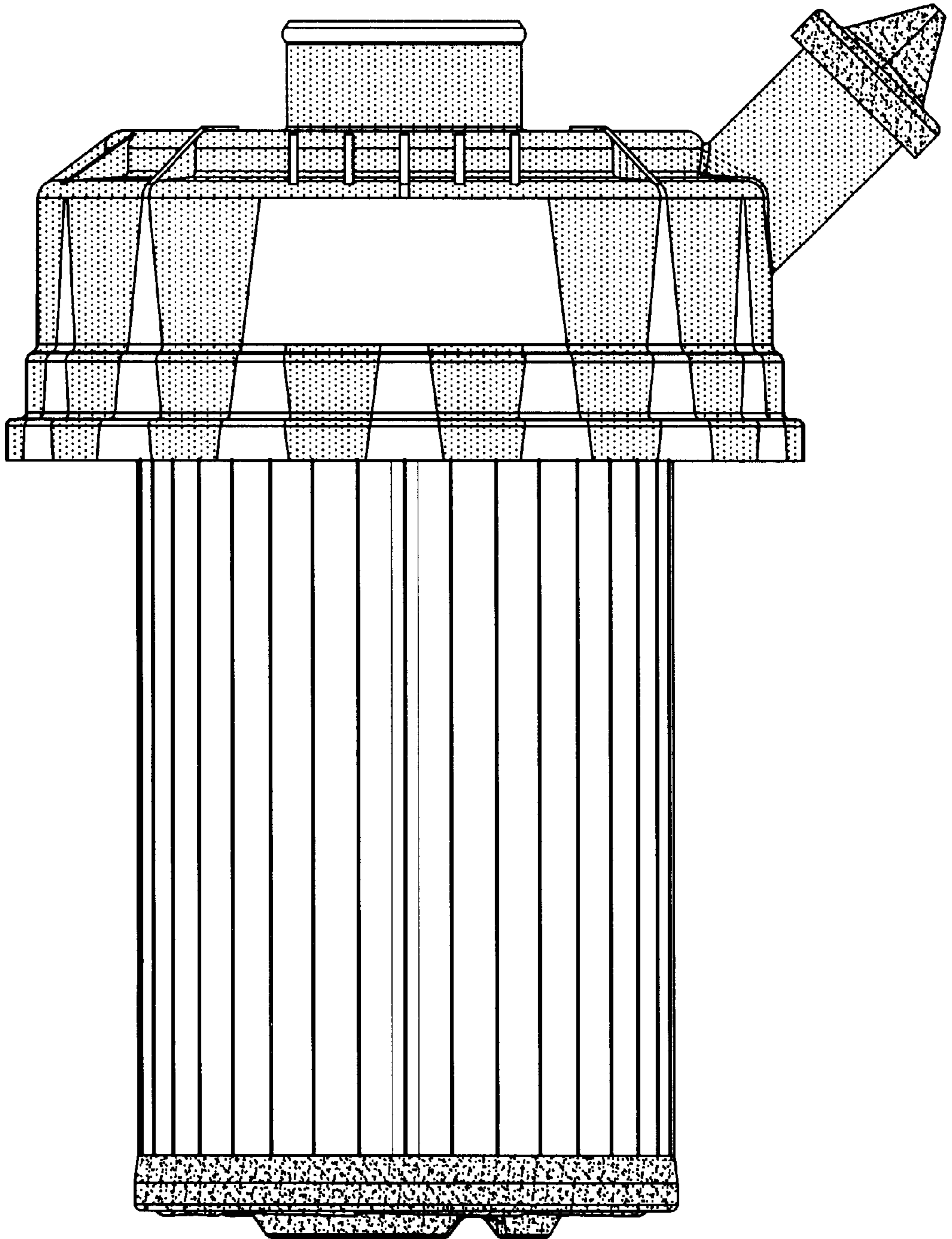


FIG. 4

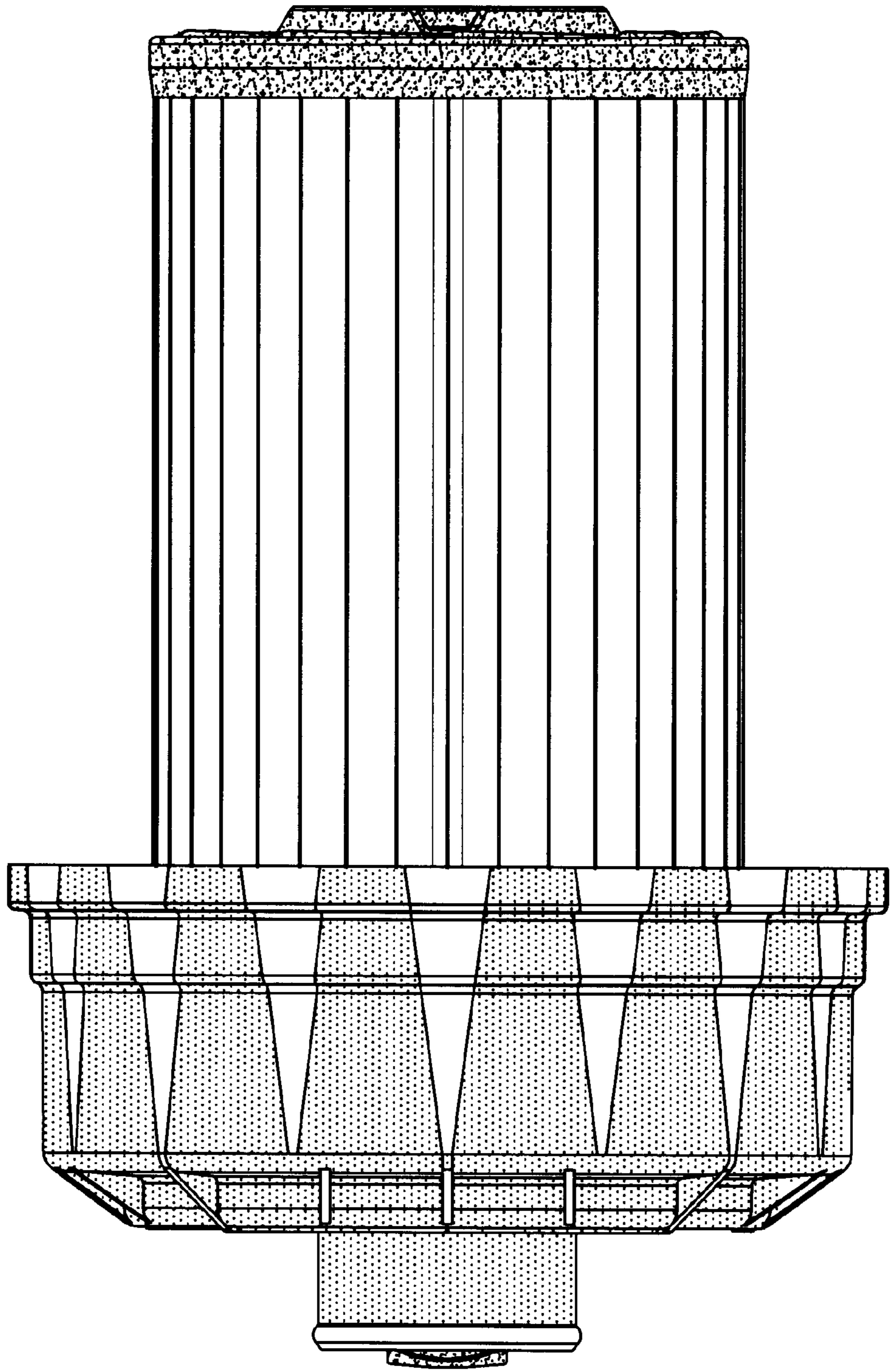


FIG. 5

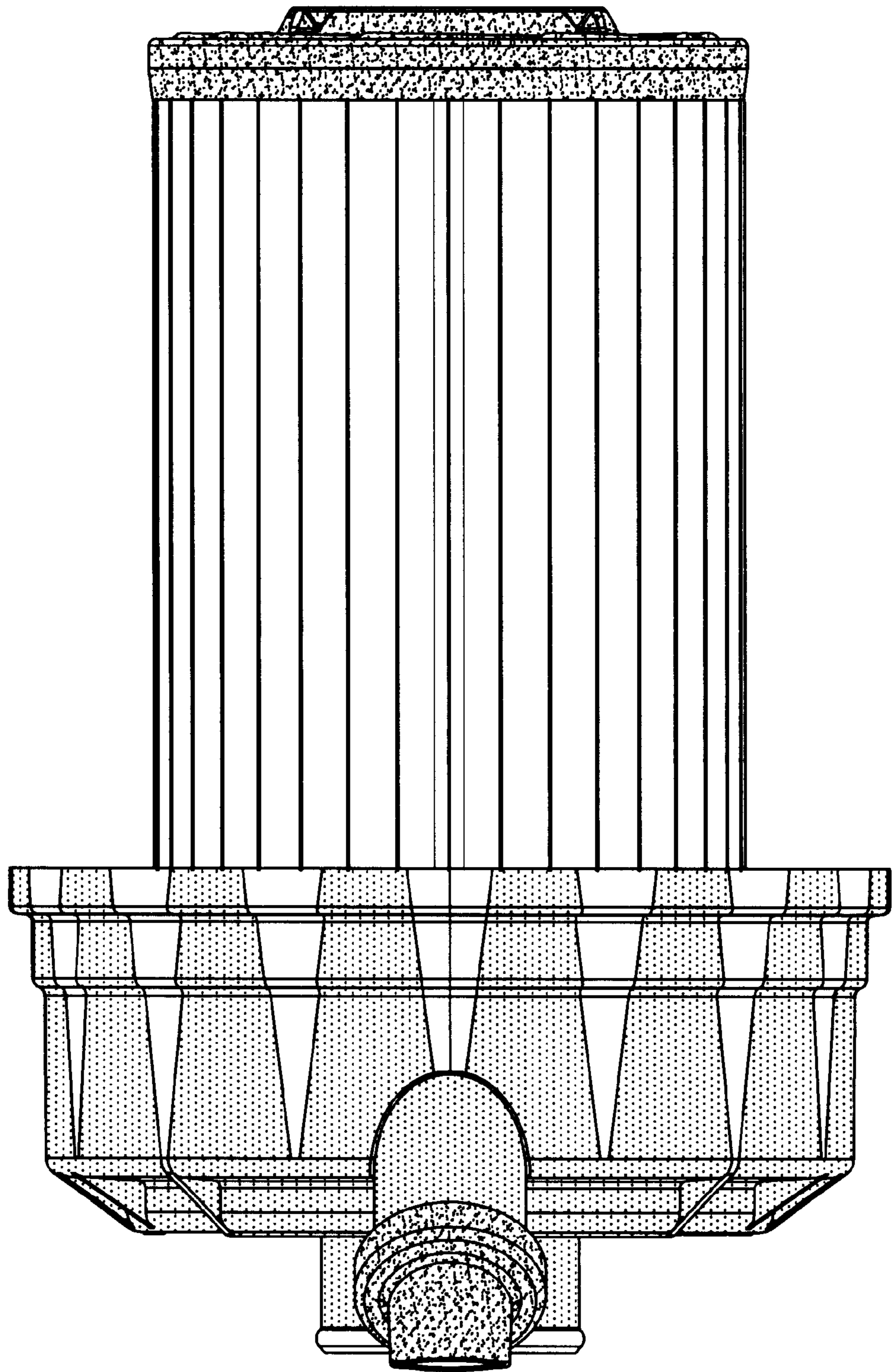
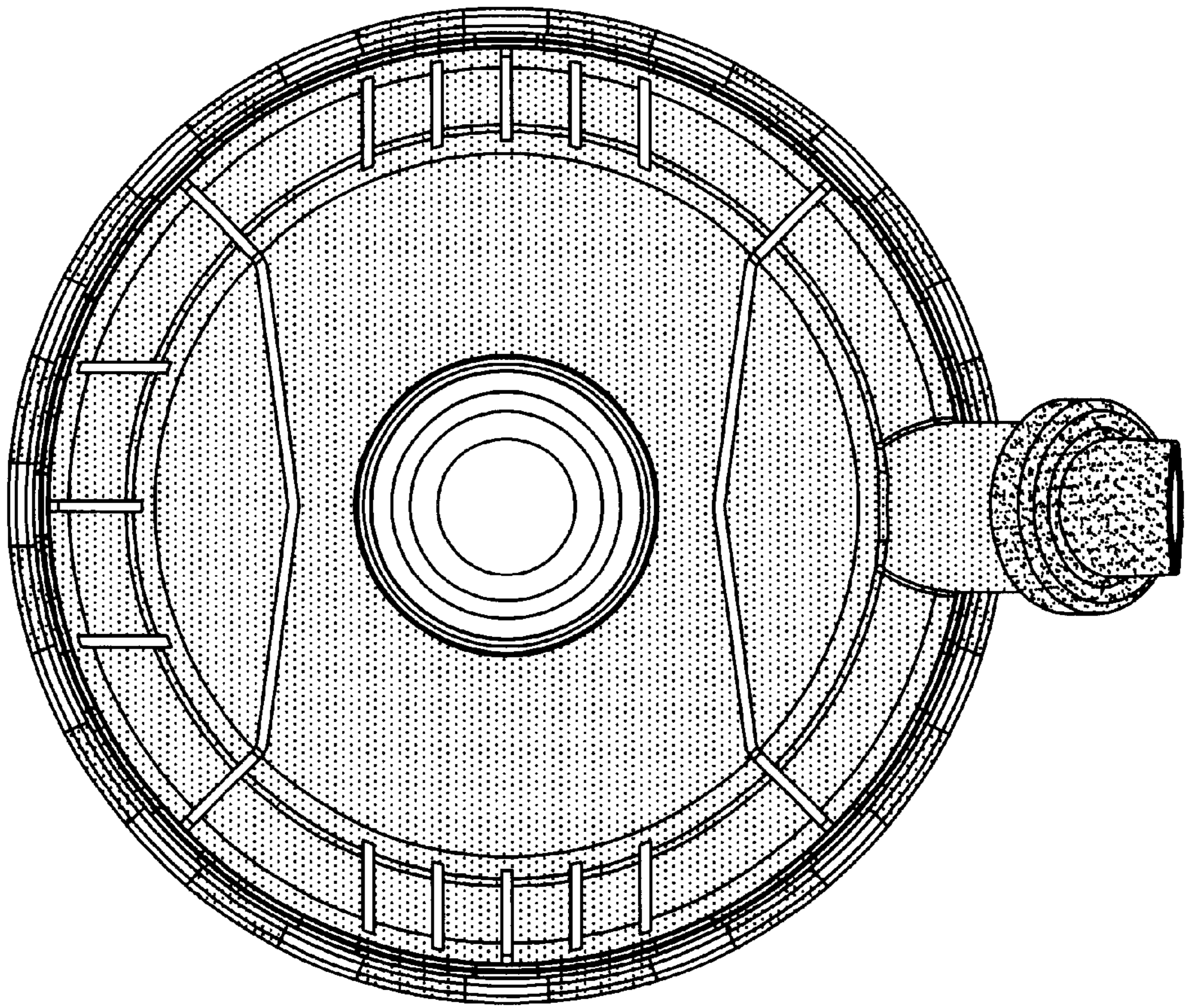


FIG. 6

FIG. 7



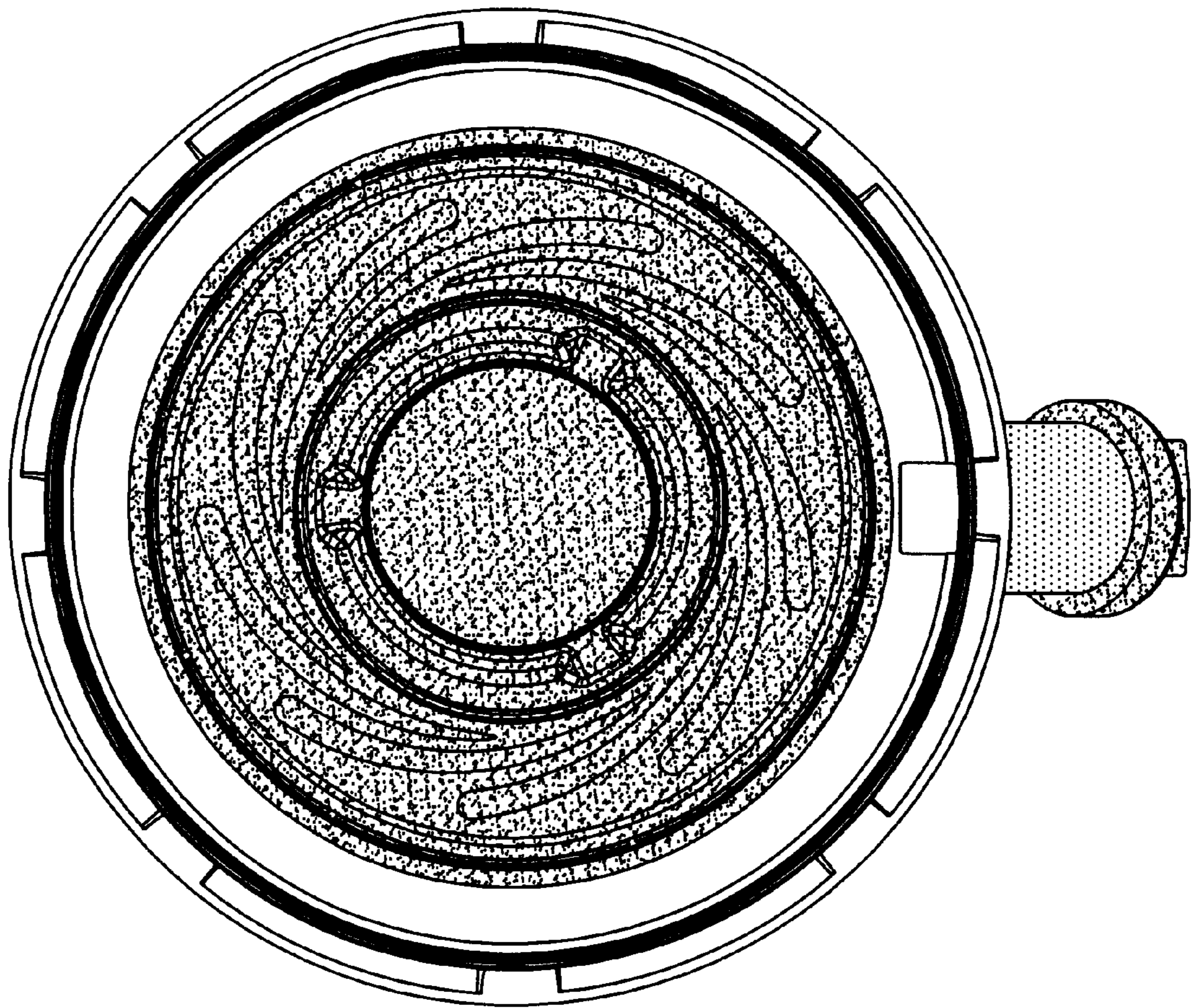


FIG. 8

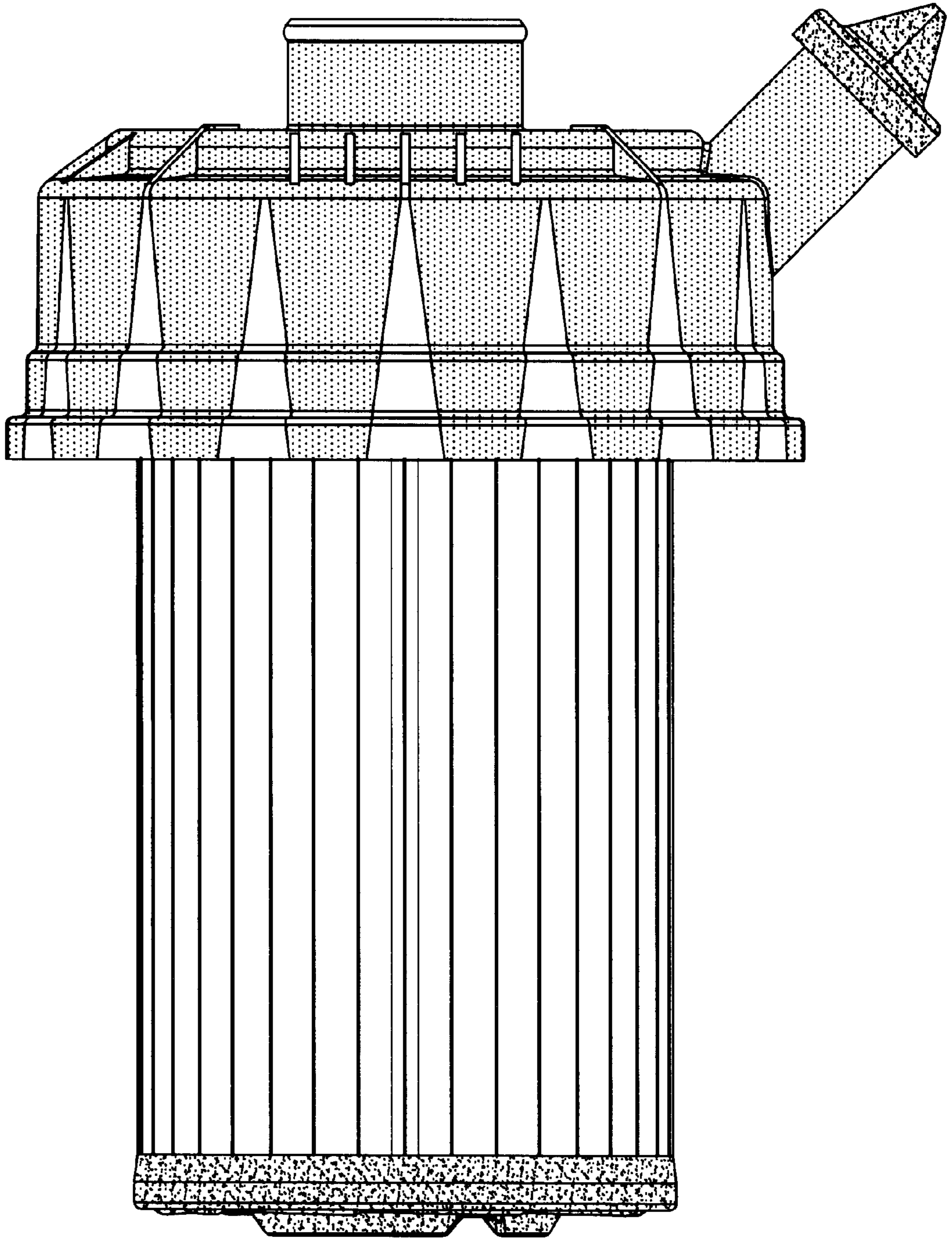


FIG. 9