



US00D467651S

(12) **United States Design Patent**
Ashton

(10) **Patent No.:** **US D467,651 S**

(45) **Date of Patent:** **** Dec. 24, 2002**

(54) **GAS FIREPLACE**

(75) Inventor: **Jerald Ashton, Wichita, KS (US)**

(73) Assignee: **The Coleman Company, Inc., Wichita, KS (US)**

(**) Term: **14 Years**

(21) Appl. No.: **29/146,324**

(22) Filed: **Aug. 7, 2001**

(51) **LOC (7) Cl.** **23-03**

(52) **U.S. Cl.** **D23/332; D23/348**

(58) **Field of Search** D23/342, 332, D23/339, 343, 348; 312/204; 87/323, 334, 332; 431/331, 344, 125; 126/500, 512, 519, 85 R, 90 R, 93; 118/260

(56) **References Cited**

U.S. PATENT DOCUMENTS

- 1,152,263 A * 8/1915 Atkins
- 3,107,663 A * 10/1963 Lambert
- 5,094,223 A * 3/1992 Gonzalez 126/25 R
- 5,359,988 A * 11/1994 Hait 126/9 R
- D379,900 S * 6/1997 Gillam et al. D7/332

5,901,697 A * 5/1999 Oliver et al. 126/519

* cited by examiner

Primary Examiner—B. J. Bullock

(57) **CLAIM**

The ornamental design for a gas fireplace, as shown and described.

DESCRIPTION

FIG. 1 is a front elevation view of gas fireplace showing the new design;

FIG. 2 is a left side elevation view thereof and being substantially the same as the right side elevation view thereof;

FIG. 3 is a rear elevation view thereof;

FIG. 4 is a top plan view thereof;

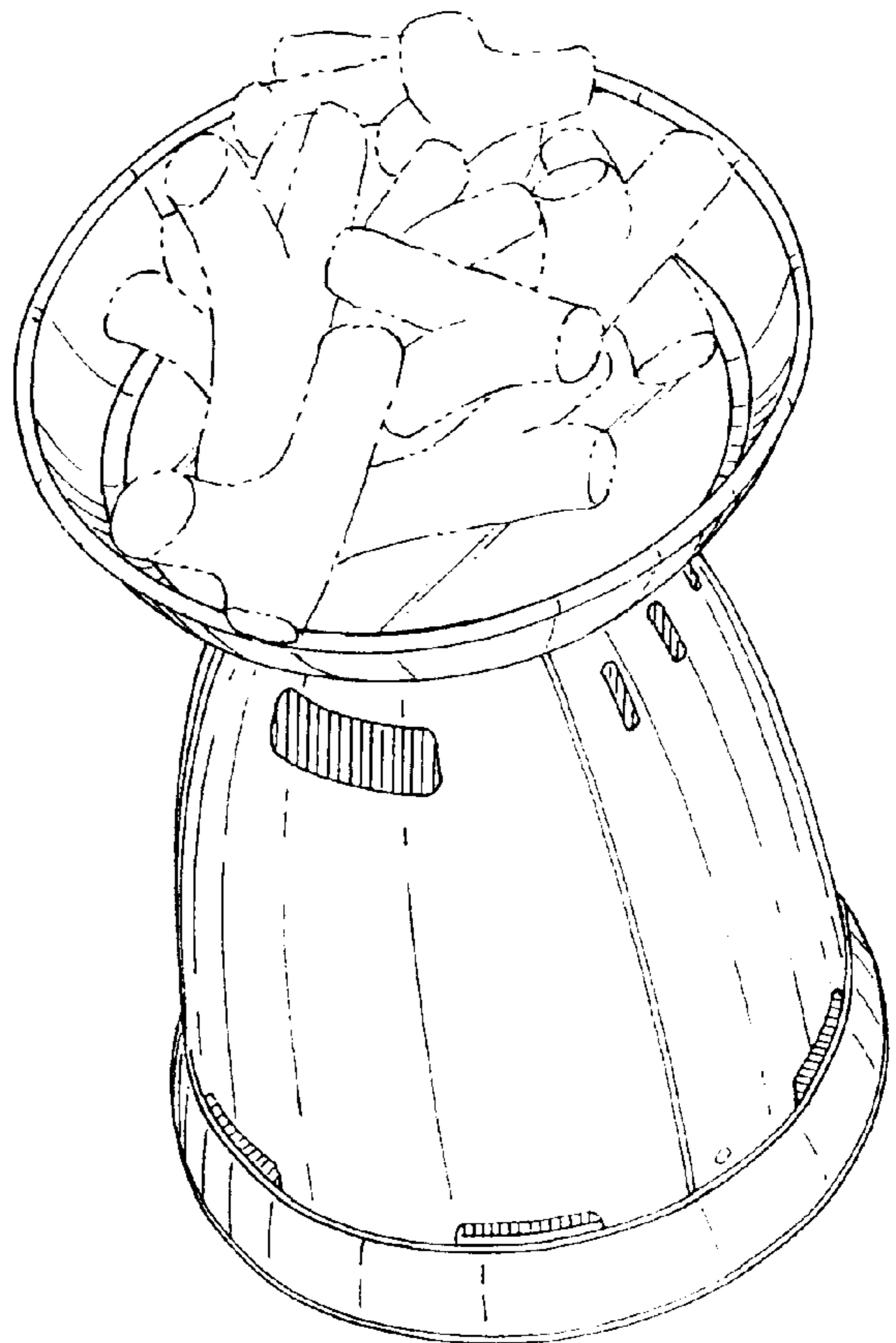
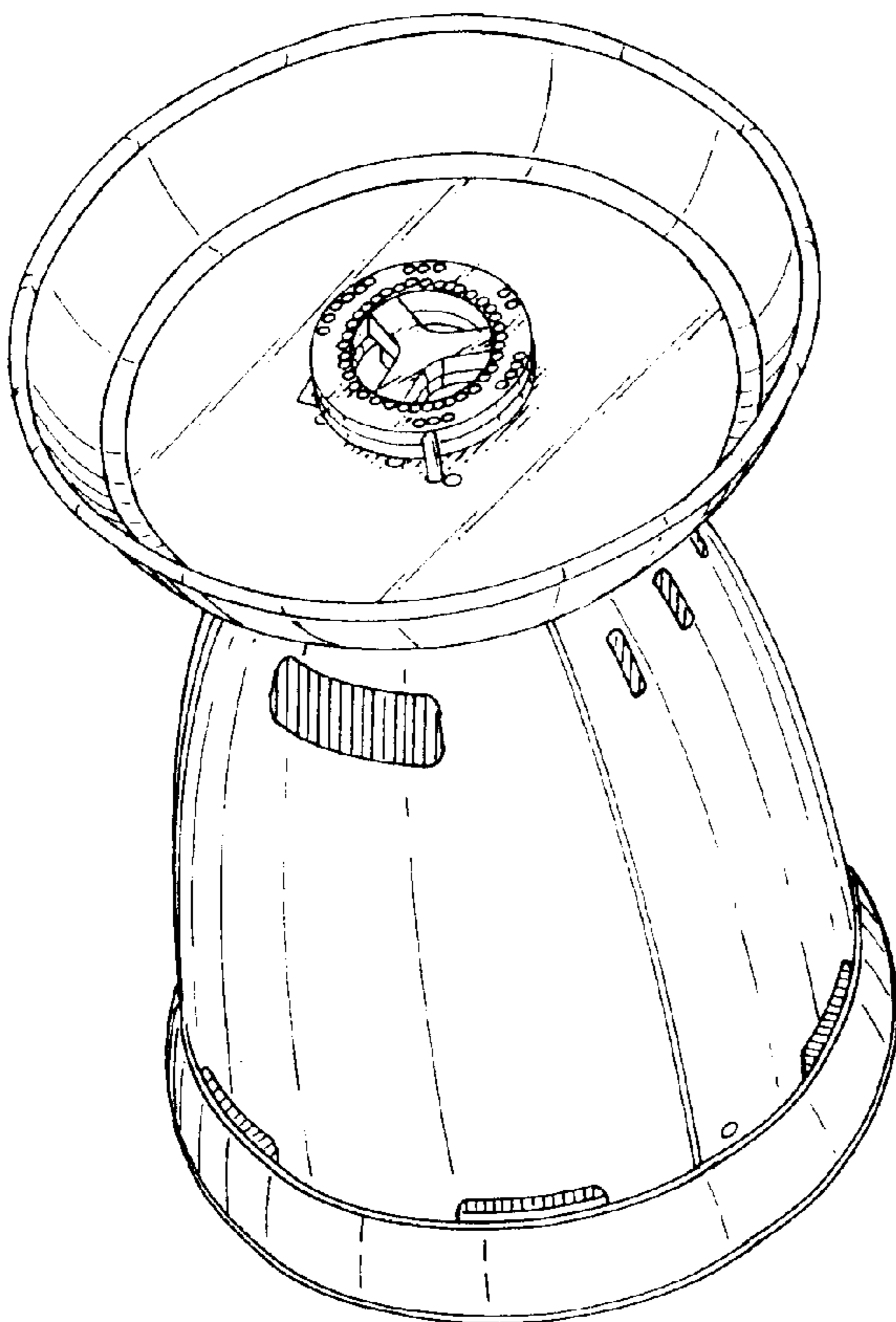
FIG. 5 is a bottom plan view thereof;

FIG. 6 is a top rear perspective view thereof; and,

FIG. 7 is a top rear perspective view thereof with the addition, in phantom, of logs.

The phantom lines are for illustrative purposes only and form no part of the claimed design.

1 Claim, 2 Drawing Sheets



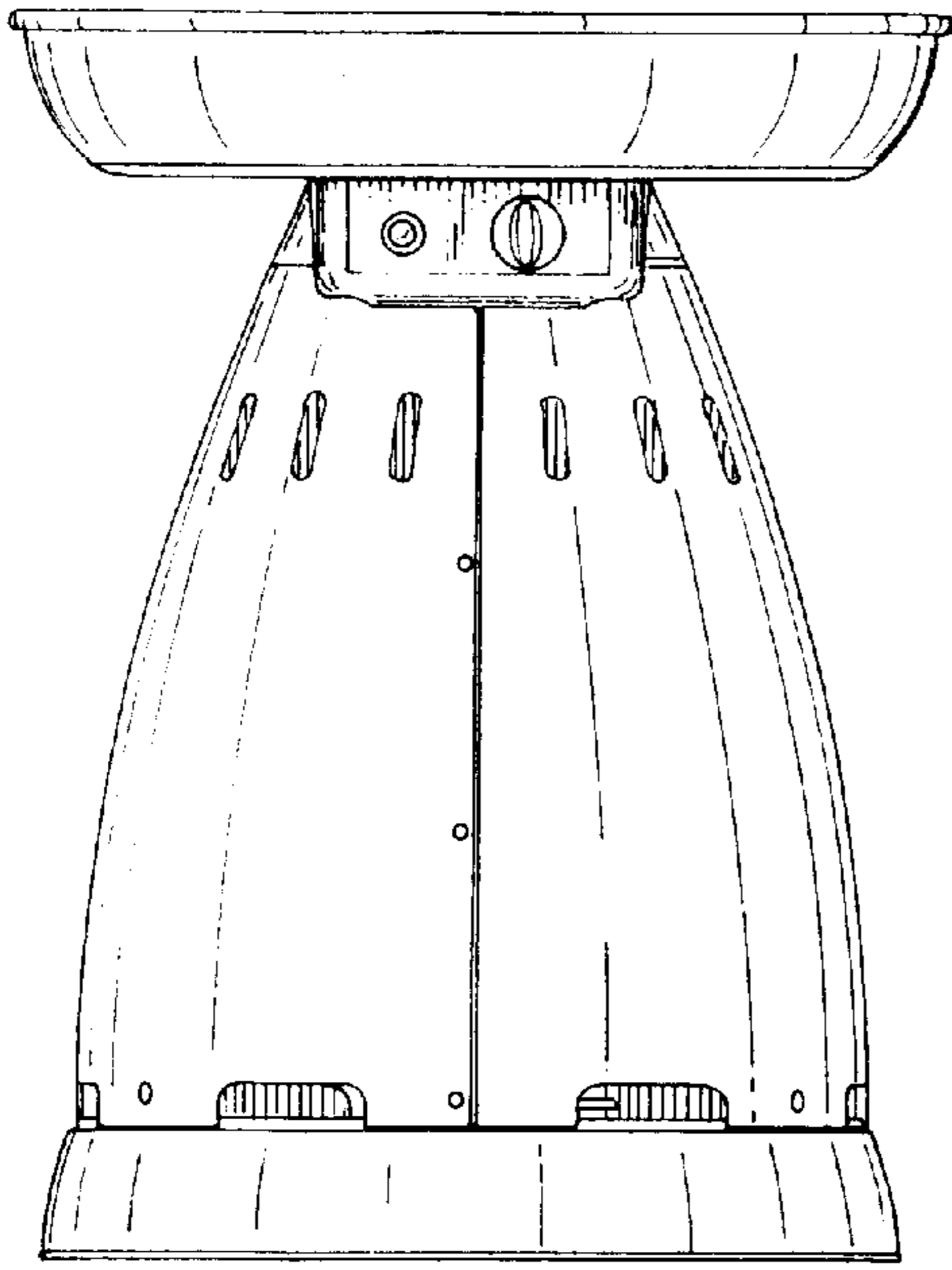


FIG. 1

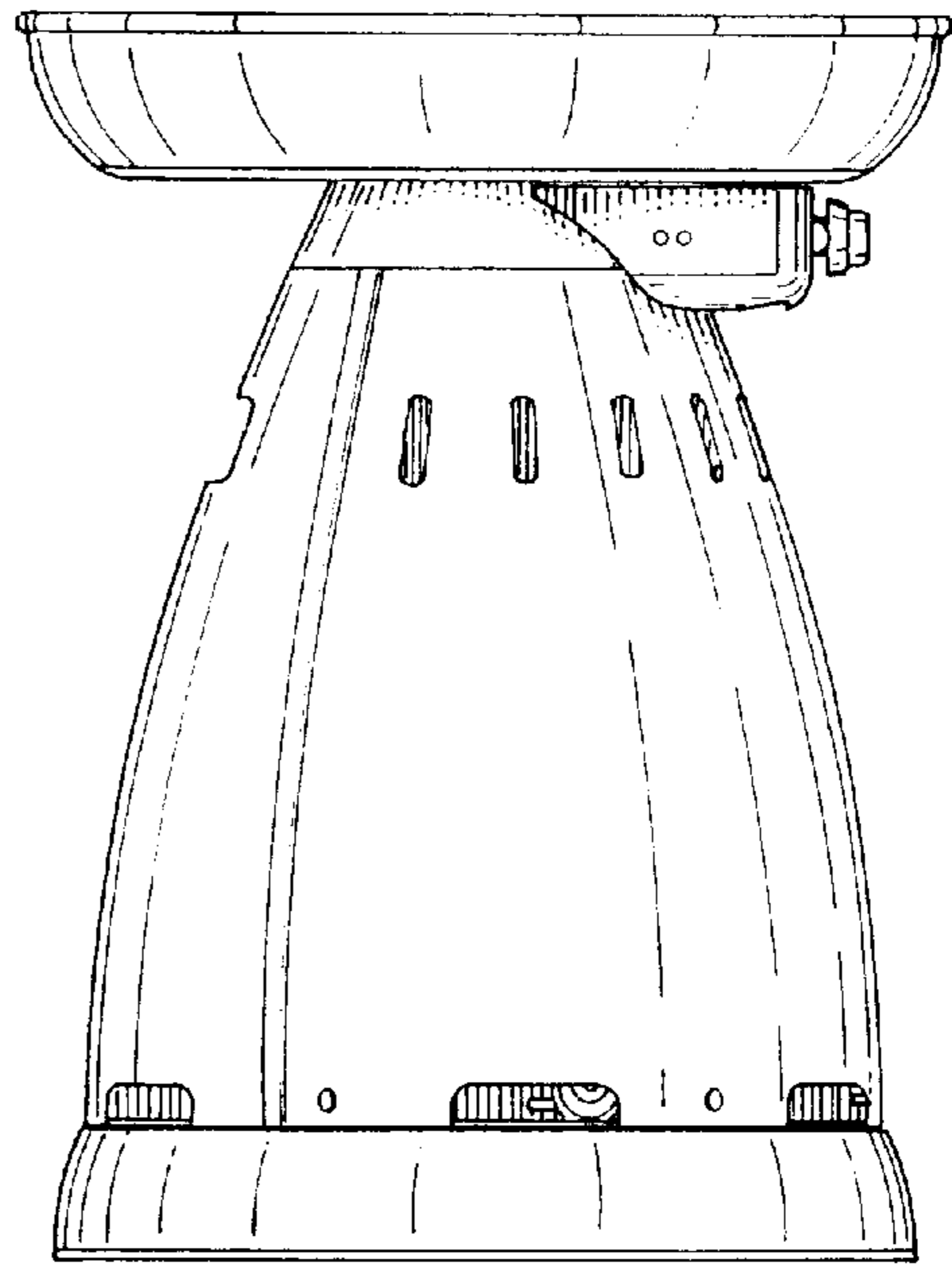


FIG. 2

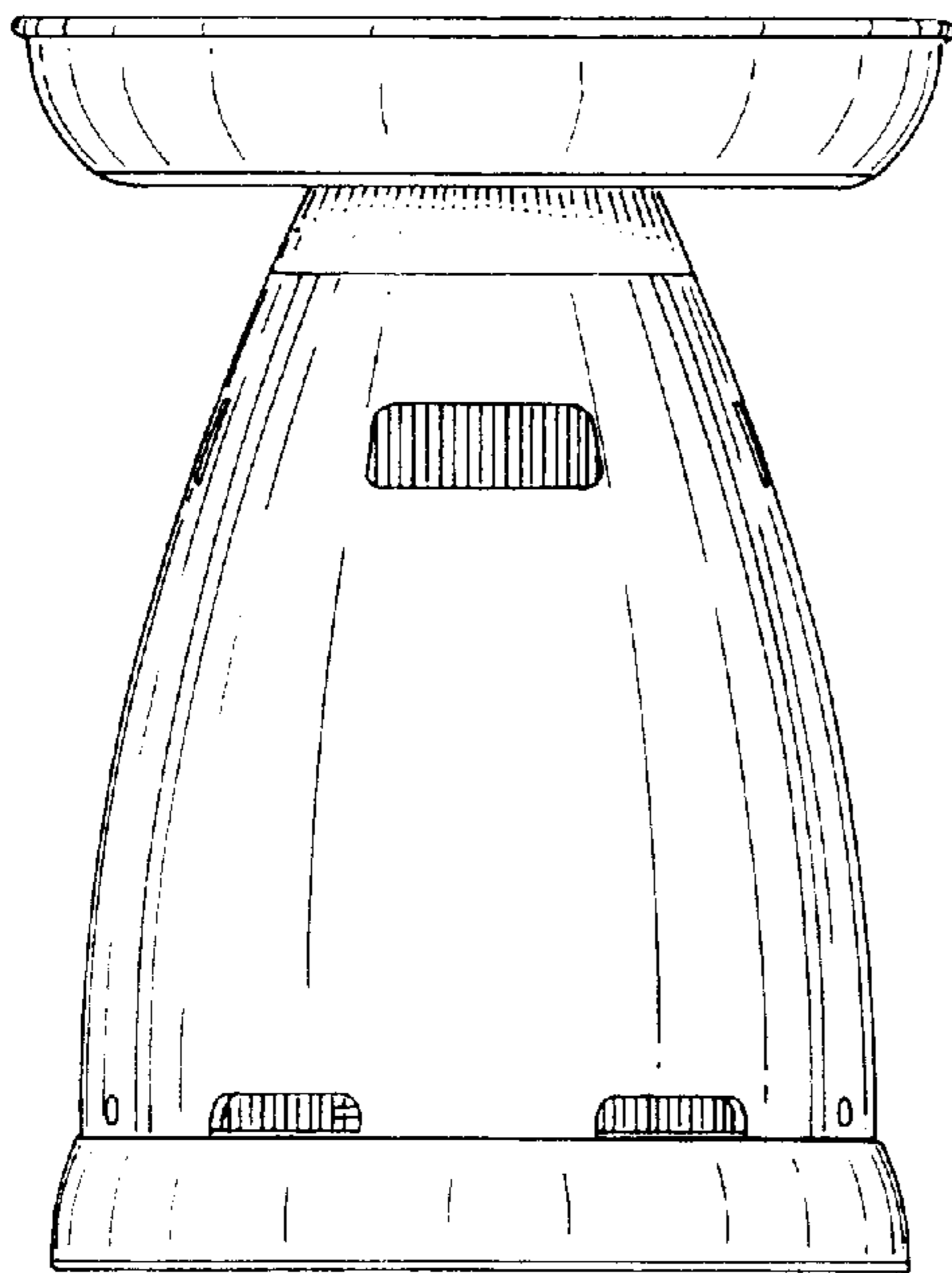


FIG. 3

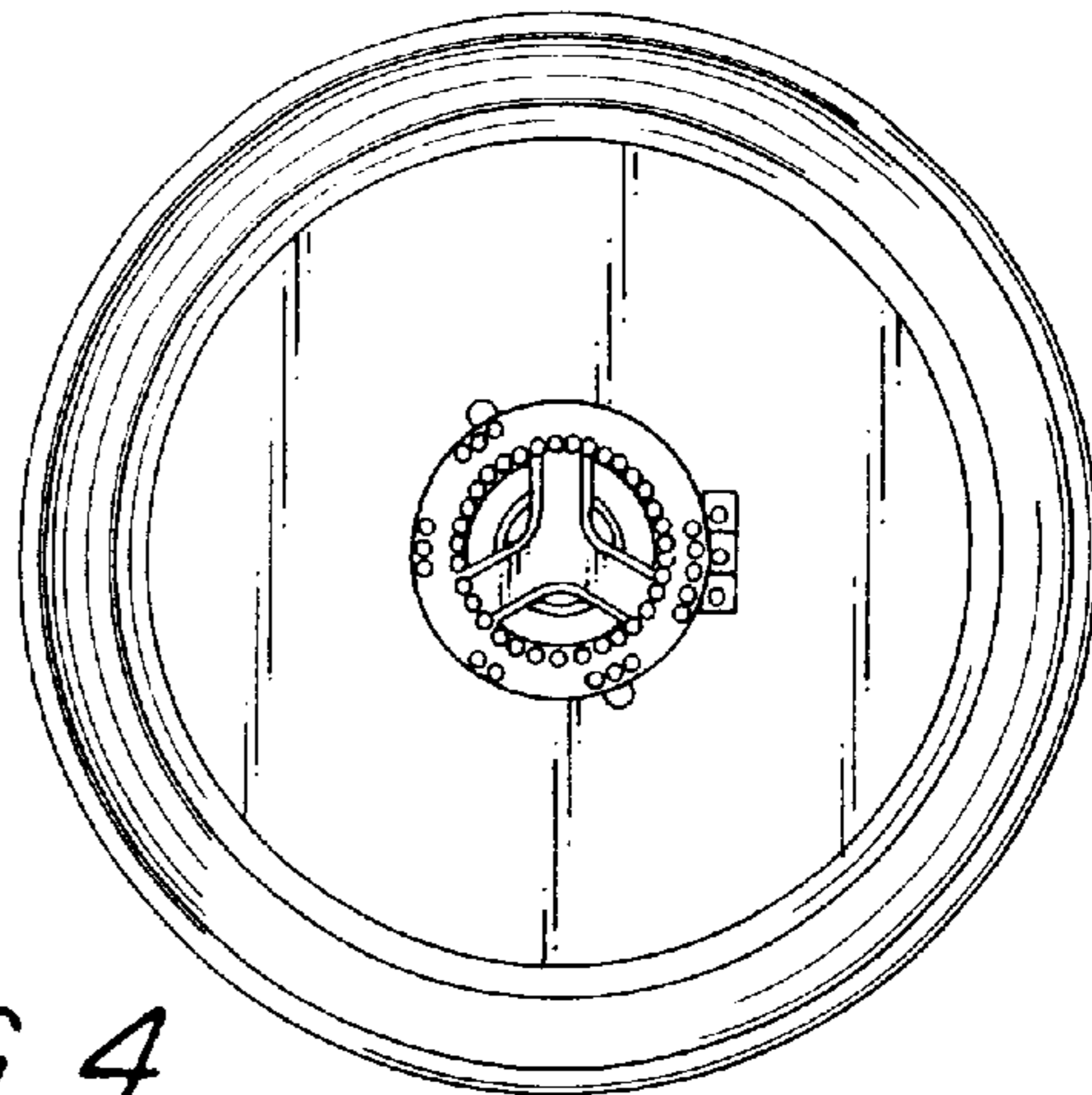


FIG. 4

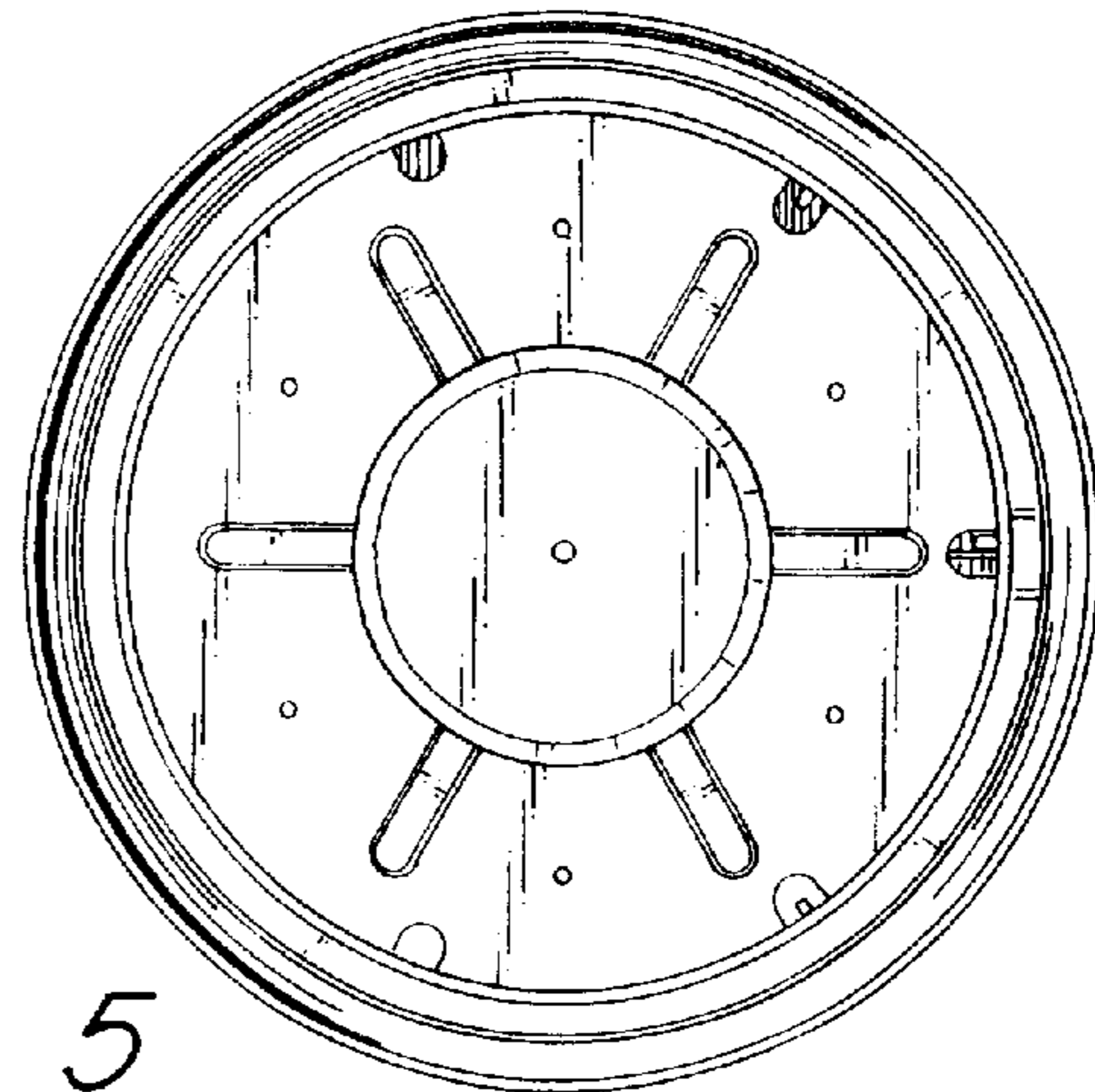


FIG. 5

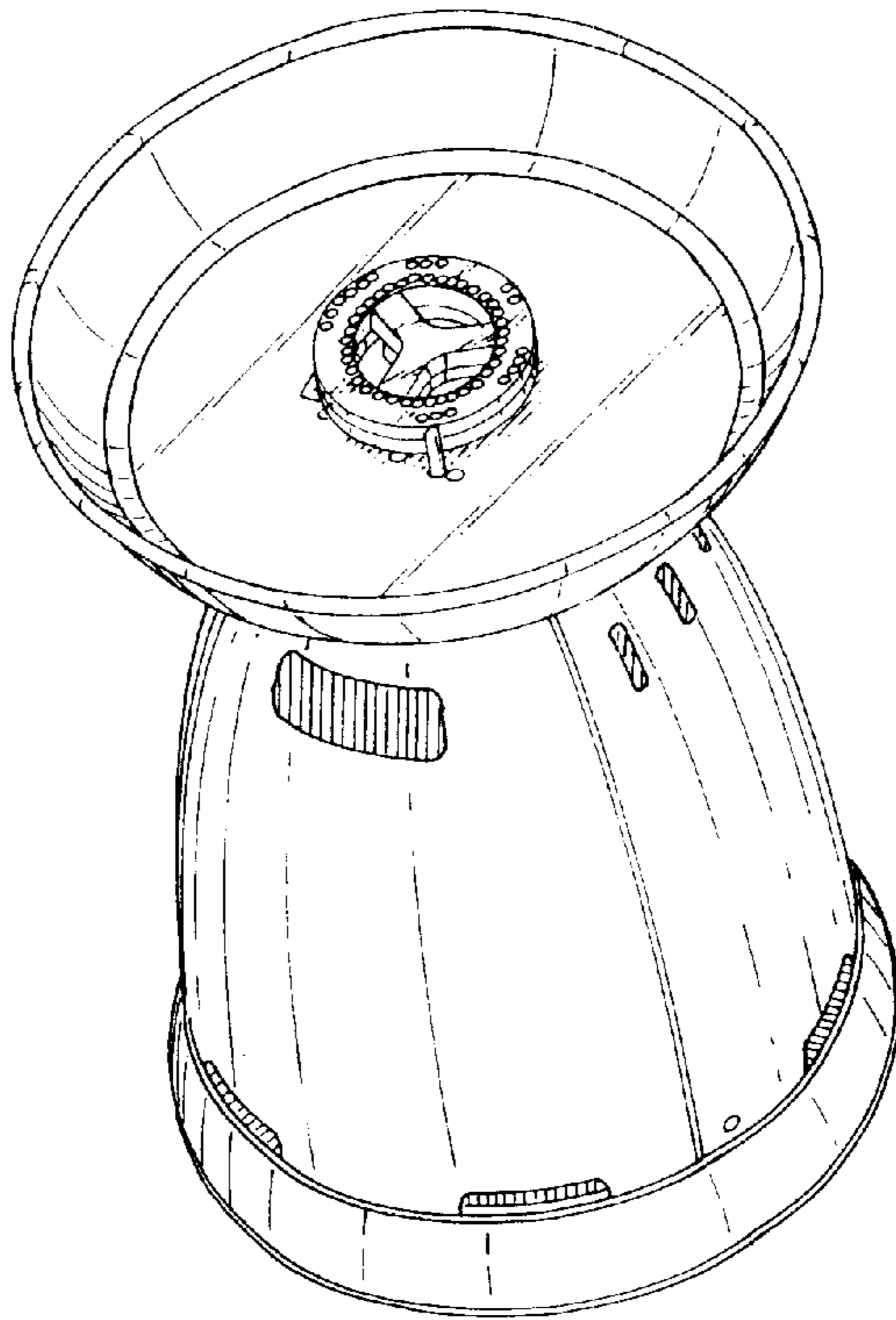


FIG. 6

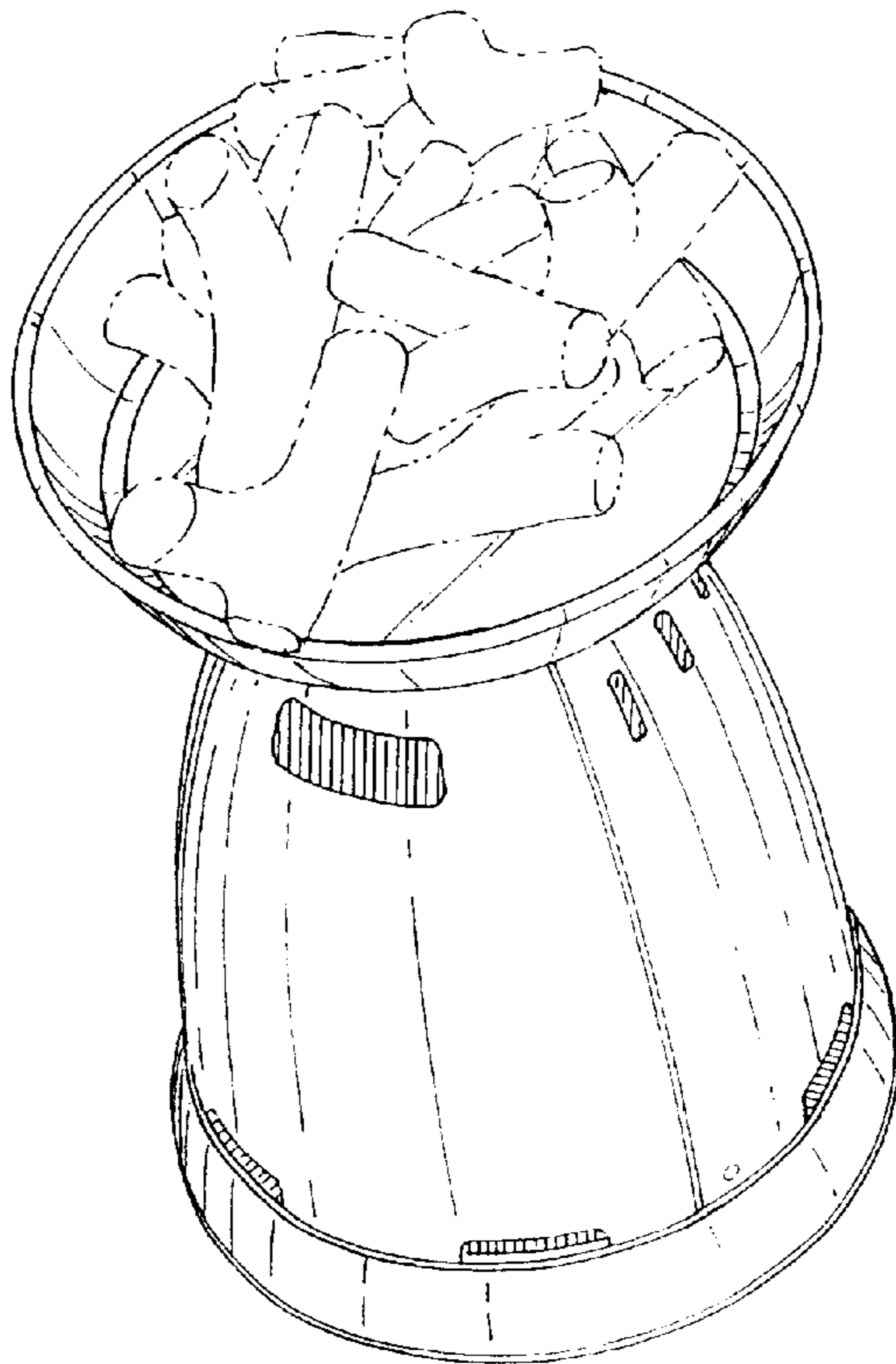


FIG. 7