



US00D467645S

(12) **United States Design Patent**
Panis et al.

(10) **Patent No.:** **US D467,645 S**

(45) **Date of Patent:** **** Dec. 24, 2002**

- (54) **FAUCET**
- (75) **Inventors:** **Pierre-Yves Panis**, North Olmsted, OH (US); **Douglas A. Kemp**, North Ridgeville, OH (US); **Michael J. Painter**, Columbus, OH (US); **Sean W. Svendsen**, Columbus, OH (US)
- (73) **Assignee:** **Moen Incorporated**, North Olmsted, OH (US)
- (**) **Term:** **14 Years**
- (21) **Appl. No.:** **29/159,043**
- (22) **Filed:** **Apr. 15, 2002**
- (51) **LOC (7) Cl.** **23-01**
- (52) **U.S. Cl.** **D23/242; D23/241**
- (58) **Field of Search** **D23/238-243, D23/250-257; 4/675-678; 137/801**

- D433,738 S 11/2000 Lord
- D434,113 S 11/2000 Lord
- D434,472 S 11/2000 Lord
- D437,394 S 2/2001 Mark et al.
- D438,602 S 3/2001 Milrud et al.
- D439,635 S 3/2001 Robbins
- D440,635 S 4/2001 Fleischmann
- D441,428 S 5/2001 Donell
- D441,434 S 5/2001 Dretzka
- D443,031 S 5/2001 Strader et al.
- D444,539 S 7/2001 Ker
- D444,851 S 7/2001 Sturgeon
- D444,856 S 7/2001 Green et al.
- D445,880 S 7/2001 Wen
- D446,843 S 8/2001 Martinez
- D447,541 S 9/2001 Dretzka
- D447,542 S 9/2001 Dretzka
- D448,065 S * 9/2001 Pitsch et al. D23/241
- D448,068 S 9/2001 Lord
- D448,833 S 10/2001 Pitsch

* cited by examiner

(56) **References Cited**
U.S. PATENT DOCUMENTS

- D25,950 S 8/1896 Totham
- D46,032 S 6/1914 Mueller et al.
- D81,026 S 4/1930 Schnell
- D149,379 S 4/1948 Sayre
- D235,099 S 5/1975 Doman
- D235,546 S * 6/1975 Landell D23/241
- D291,590 S 8/1987 Bengtsson
- D349,328 S 8/1994 Bollenbacher
- D355,578 S 2/1995 Mark et al.
- D381,404 S * 7/1997 Doughty et al. D23/241
- D398,040 S * 9/1998 Ko D23/252
- D405,160 S * 2/1999 Lord D23/241
- D408,505 S 4/1999 Garcia
- D416,608 S 11/1999 Warshawsky et al.
- D418,579 S 1/2000 Pitsch et al.
- D420,102 S 2/2000 Warshawsky et al.
- D433,736 S 11/2000 Lord

Primary Examiner—Louis S. Zarfaz
Assistant Examiner—Gregory Andoll
(74) *Attorney, Agent, or Firm*—Cook, Alex, McFarron, Manzo, Cummings & Mehler, Ltd.

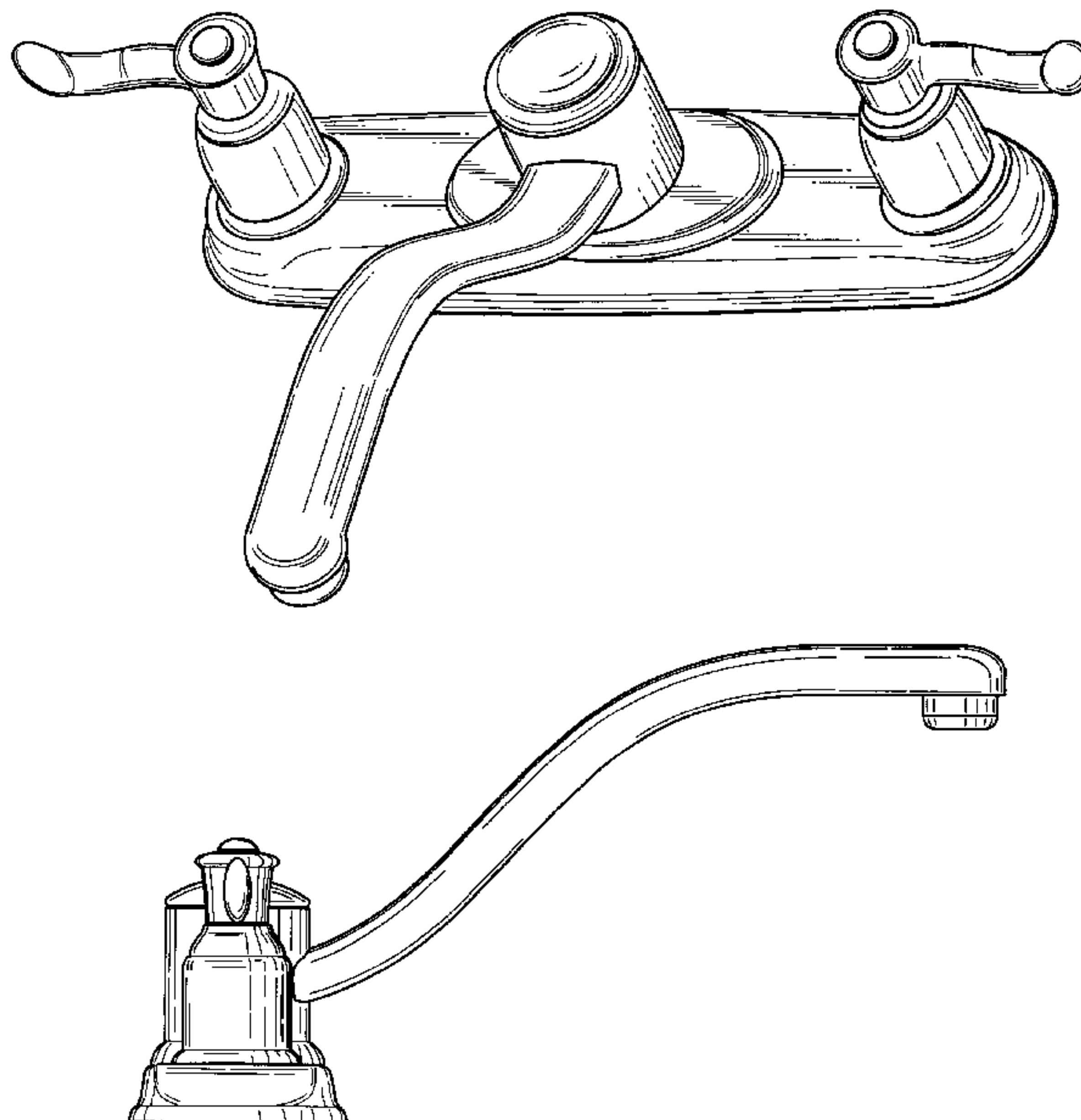
(57) **CLAIM**

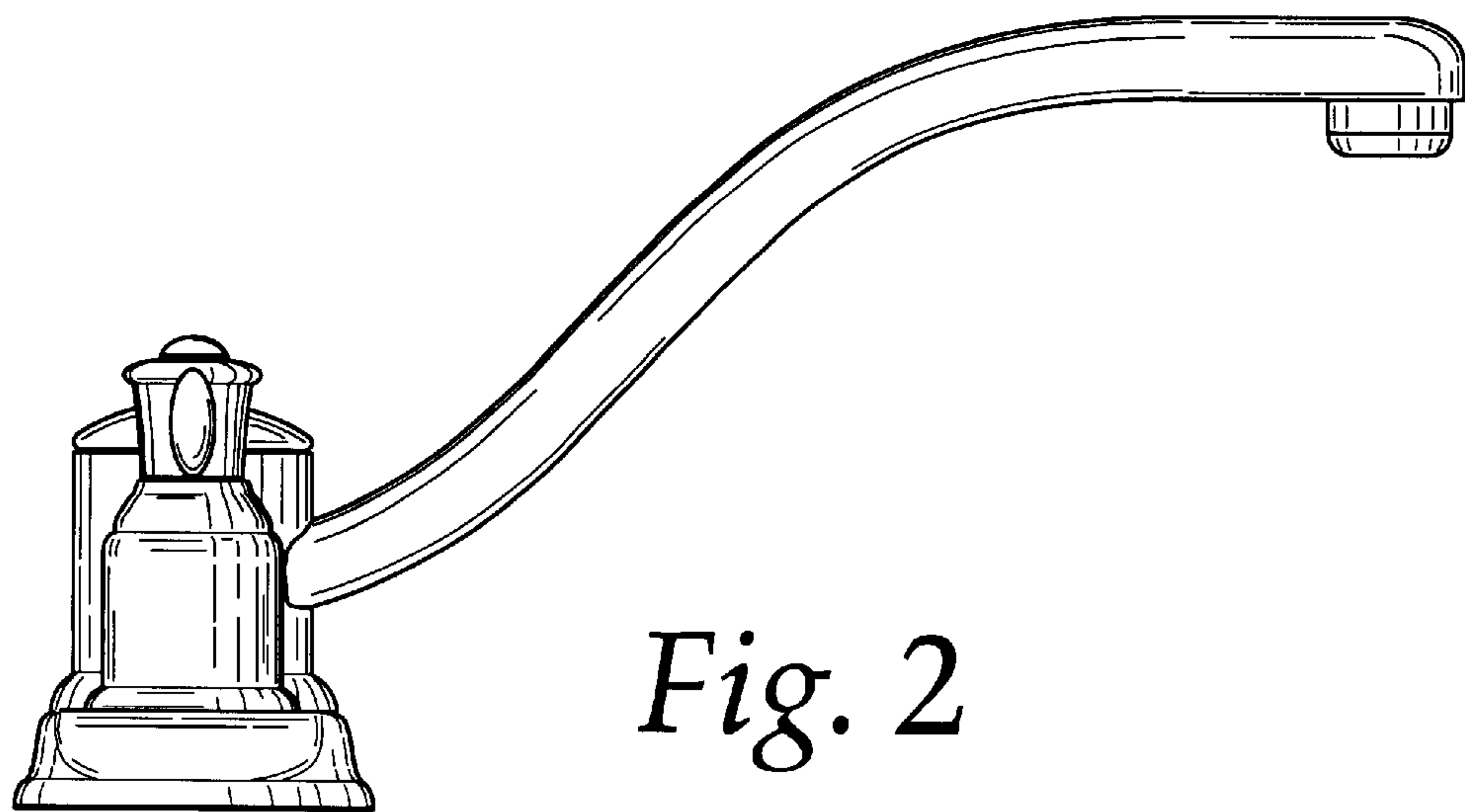
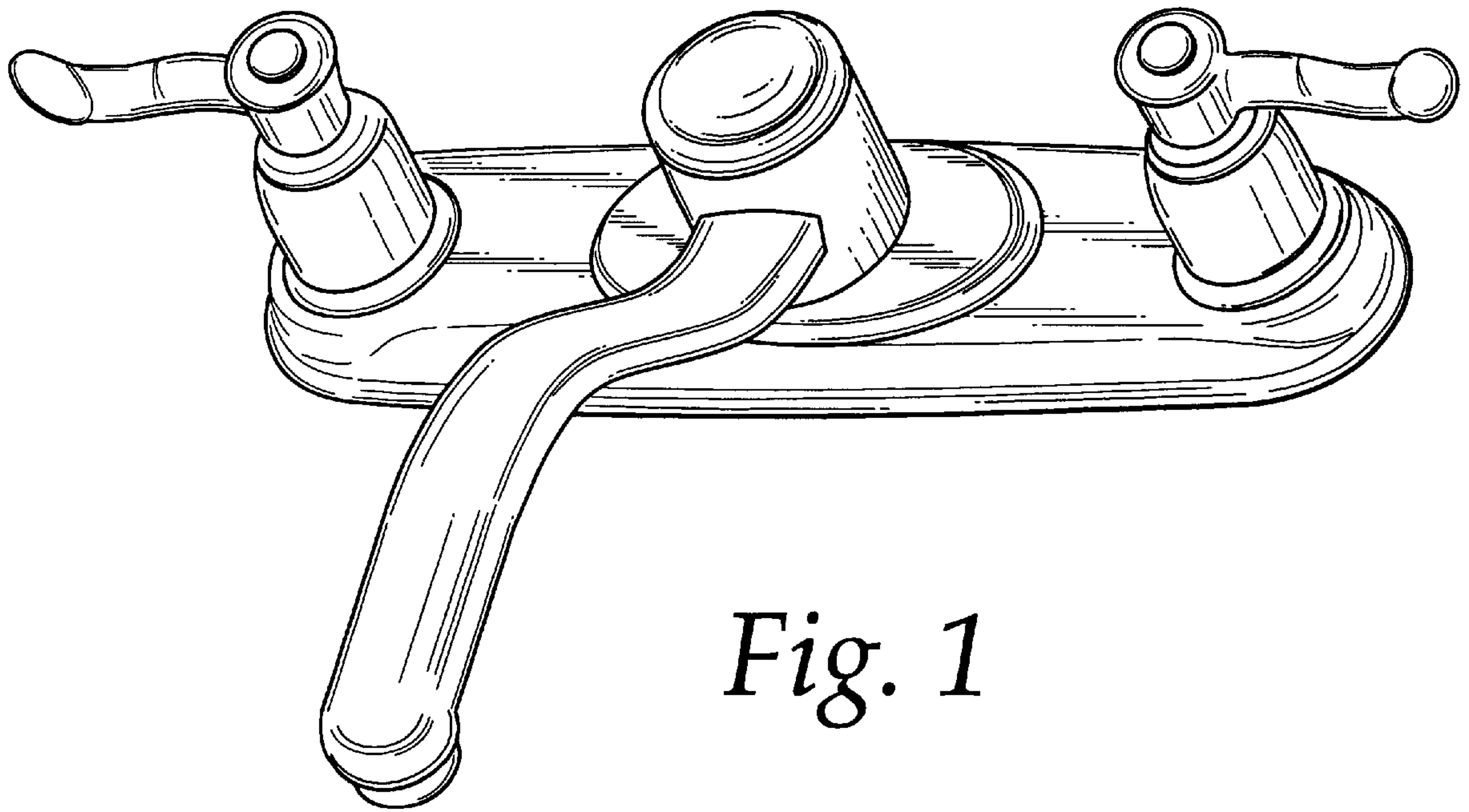
The ornamental design for a faucet, as shown and described.

DESCRIPTION

FIG. 1 is a front perspective view of our new design for a faucet;
FIG. 2 is a left side view thereof, the right side being a mirror image of the left side;
FIG. 3 is a front view thereof;
FIG. 4 is a top view thereof; and,
FIG. 5 is a rear view thereof.

1 Claim, 3 Drawing Sheets





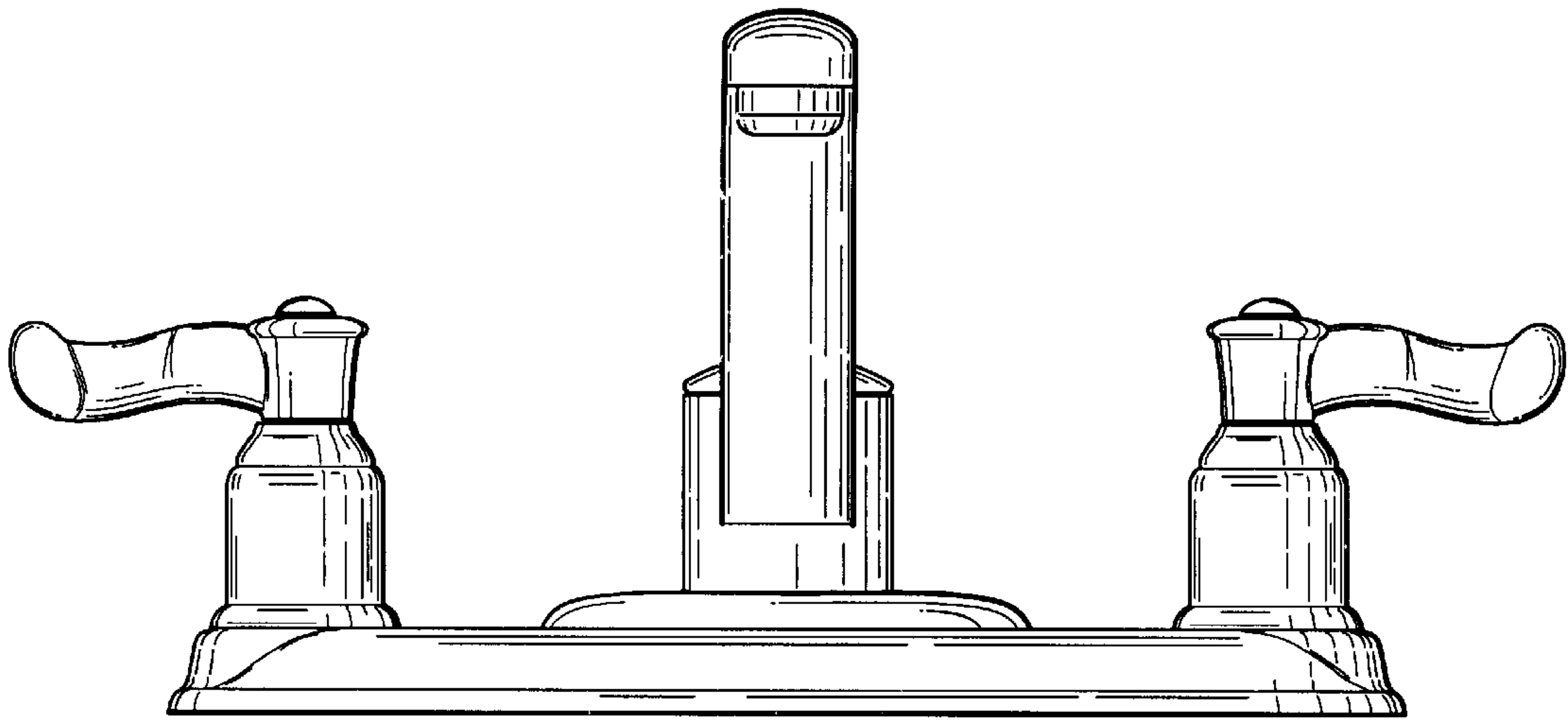


Fig. 3

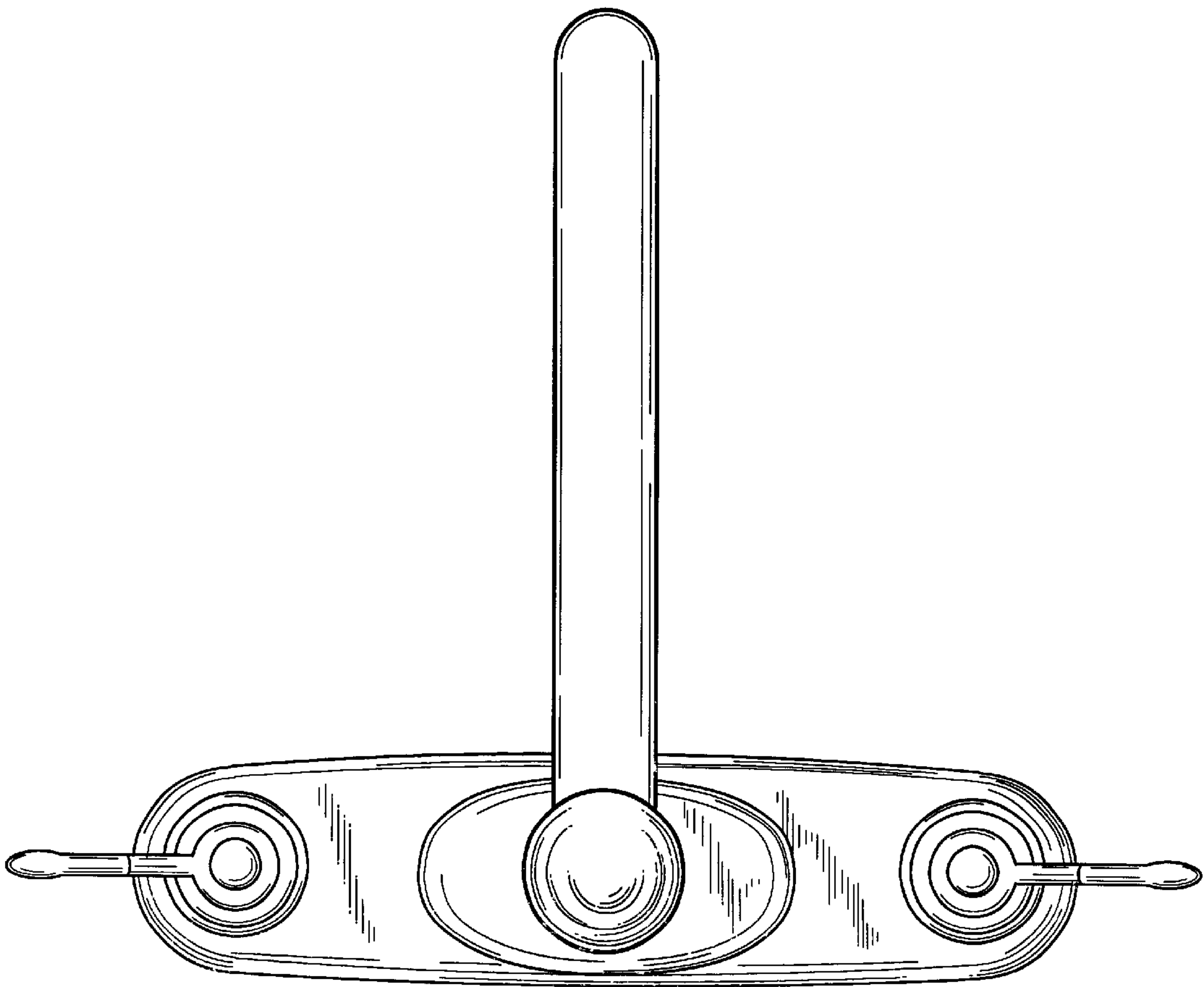


Fig. 4

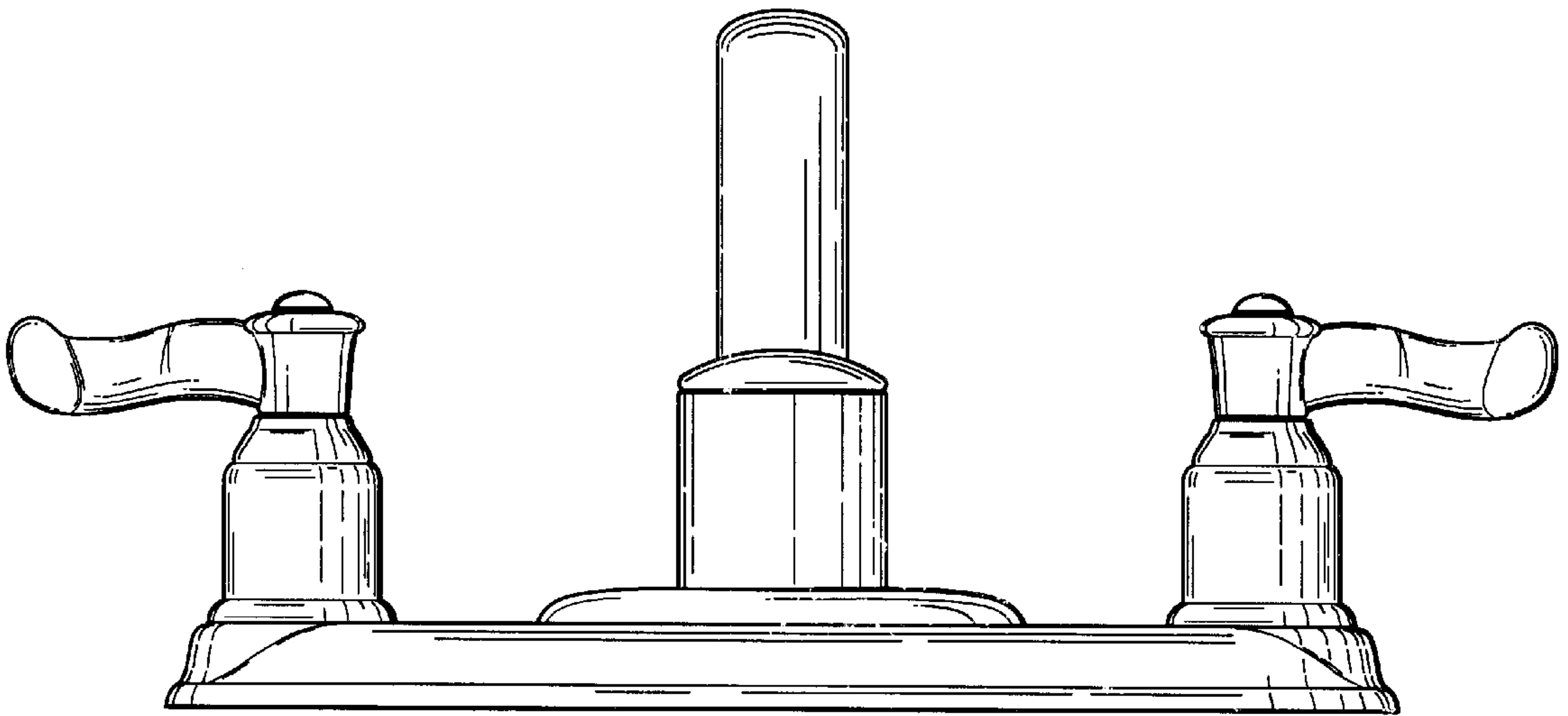


Fig. 5