



US00D467644S

(12) **United States Design Patent**
Panis et al.

(10) **Patent No.:** **US D467,644 S**

(45) **Date of Patent:** **** *Dec. 24, 2002**

(54) **FAUCET**

(75) Inventors: **Pierre-Yves Panis**, North Olmsted, OH (US); **Douglas A. Kemp**, North Ridgeville, OH (US); **Michael J. Painter**, Columbus, OH (US); **Sean W. Svendsen**, Columbus, OH (US)

(73) Assignee: **Moen Incorporated**, North Olmsted, OH (US)

(*) Notice: This patent is subject to a terminal disclaimer.

(**) Term: **14 Years**

(21) Appl. No.: **29/159,038**

(22) Filed: **Apr. 15, 2002**

(51) **LOC (7) Cl.** **23-01**

(52) **U.S. Cl.** **D23/242; D23/241**

(58) **Field of Search** **D23/238-243, D23/250-257; 4/675-678; 137/801**

D377,516 S	*	1/1997	Doughty et al.	D23/241
D377,517 S		1/1997	Doughty et al.		
D378,230 S		2/1997	Doughty et al.		
D384,402 S	*	9/1997	Doughty et al.	D23/241
D390,921 S		2/1998	Steffes et al.		
D398,040 S	*	9/1998	Ko	D23/252
D406,318 S	*	3/1999	Lord	D23/241
D406,876 S		3/1999	Ko		
D406,880 S		3/1999	Doughty et al.		
D409,288 S	*	5/1999	Hyde	D23/250
D409,726 S		5/1999	Formgren		
D412,025 S		7/1999	Mark et al.		
D416,981 S		11/1999	Warshawsky et al.		
D416,982 S		11/1999	Warshawsky et al.		
D418,202 S		12/1999	Warshawsky et al.		
D418,578 S		1/2000	Warshawsky et al.		
D428,118 S		7/2000	McKeone		
D430,269 S		8/2000	Lord		
D430,270 S		8/2000	Lord		
D430,271 S		8/2000	Lord		
D430,648 S		9/2000	Lord		
D430,920 S		9/2000	Lord		
D431,281 S		9/2000	Lord		
D431,282 S		9/2000	Lord		

(List continued on next page.)

(56) **References Cited**

U.S. PATENT DOCUMENTS

D59,399 S		10/1921	Wuesthoff		
D202,095 S	*	8/1965	Kelly	D23/255
D263,991 S	*	4/1982	Fleischmann et al.	D23/257
D285,597 S		9/1986	Miller et al.		
D289,318 S		4/1987	Yost		
D290,496 S		6/1987	Ryan		
D293,362 S	*	12/1987	Hill et al.	D23/241
D299,161 S		12/1988	Frattini		
D314,813 S		2/1991	Jans		
D317,196 S		5/1991	Robbins		
D318,906 S		8/1991	Spangler		
D332,135 S		12/1992	Bonnell		
D350,390 S		9/1994	Bollenbacher		
D356,631 S		3/1995	Kolada		
D357,526 S		4/1995	Jans		
D363,974 S		11/1995	Doughty et al.		
D366,517 S		1/1996	Doughty et al.		
D368,302 S		3/1996	Doughty et al.		

Primary Examiner—Louis S. Zarfaz
Assistant Examiner—Gregory Andoll
(74) *Attorney, Agent, or Firm*—Cook, Alex, McFarron, Manzo, Cummings & Mehler, Ltd.

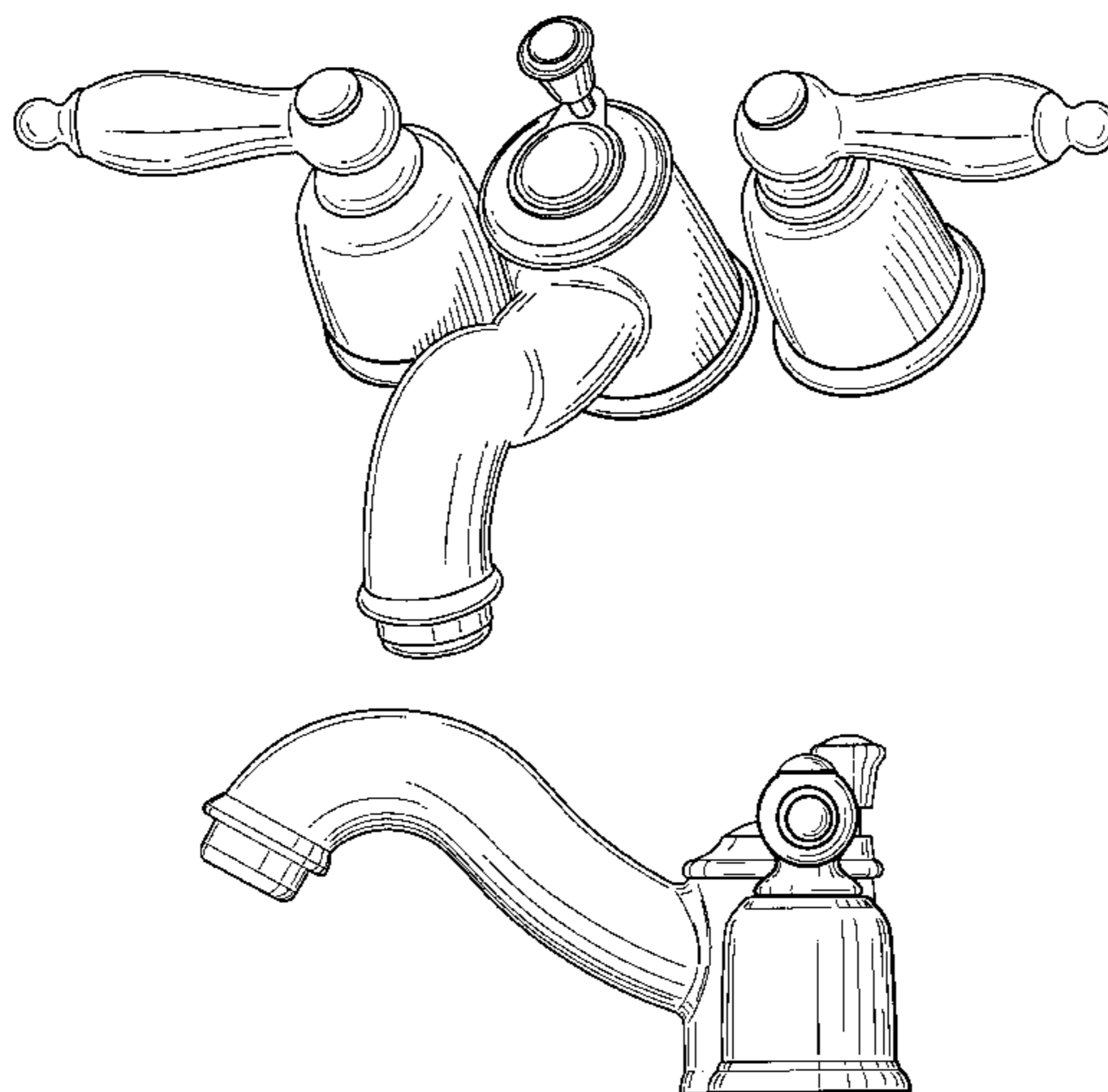
(57) **CLAIM**

The ornamental design for a faucet, as shown and described.

DESCRIPTION

FIG. 1 is a front perspective view of our new design for a faucet;
FIG. 2 is a right side view thereof, the left side being a mirror image of the right side;
FIG. 3 is a front view thereof;
FIG. 4 is a top view thereof; and,
FIG. 5 is a rear view thereof.

1 Claim, 3 Drawing Sheets



US D467,644 S

Page 2

U.S. PATENT DOCUMENTS

D431,630 S	10/2000	Lord	D443,031 S	5/2001	Strader et al.
D432,631 S	10/2000	Lord	D444,539 S	7/2001	Ker
D437,032 S	1/2001	Ko	D444,851 S	7/2001	Sturgeon
D437,394 S	2/2001	Mark et al.	D444,856 S	7/2001	Green et al.
D438,602 S	3/2001	Milrud et al.	D445,880 S	7/2001	Wen
D439,635 S	3/2001	Robbins	D446,843 S	8/2001	Martinez
D440,633 S	4/2001	Fleischmann	D447,541 S	9/2001	Dretzka
D440,635 S	4/2001	Fleischmann	D447,542 S	9/2001	Dretzka
D441,428 S	5/2001	Donell	D448,068 S	9/2001	Lord
D441,430 S	* 5/2001	Dretzka D23/241	D448,833 S	10/2001	Pitsch
D441,434 S	5/2001	Dretzka			

* cited by examiner

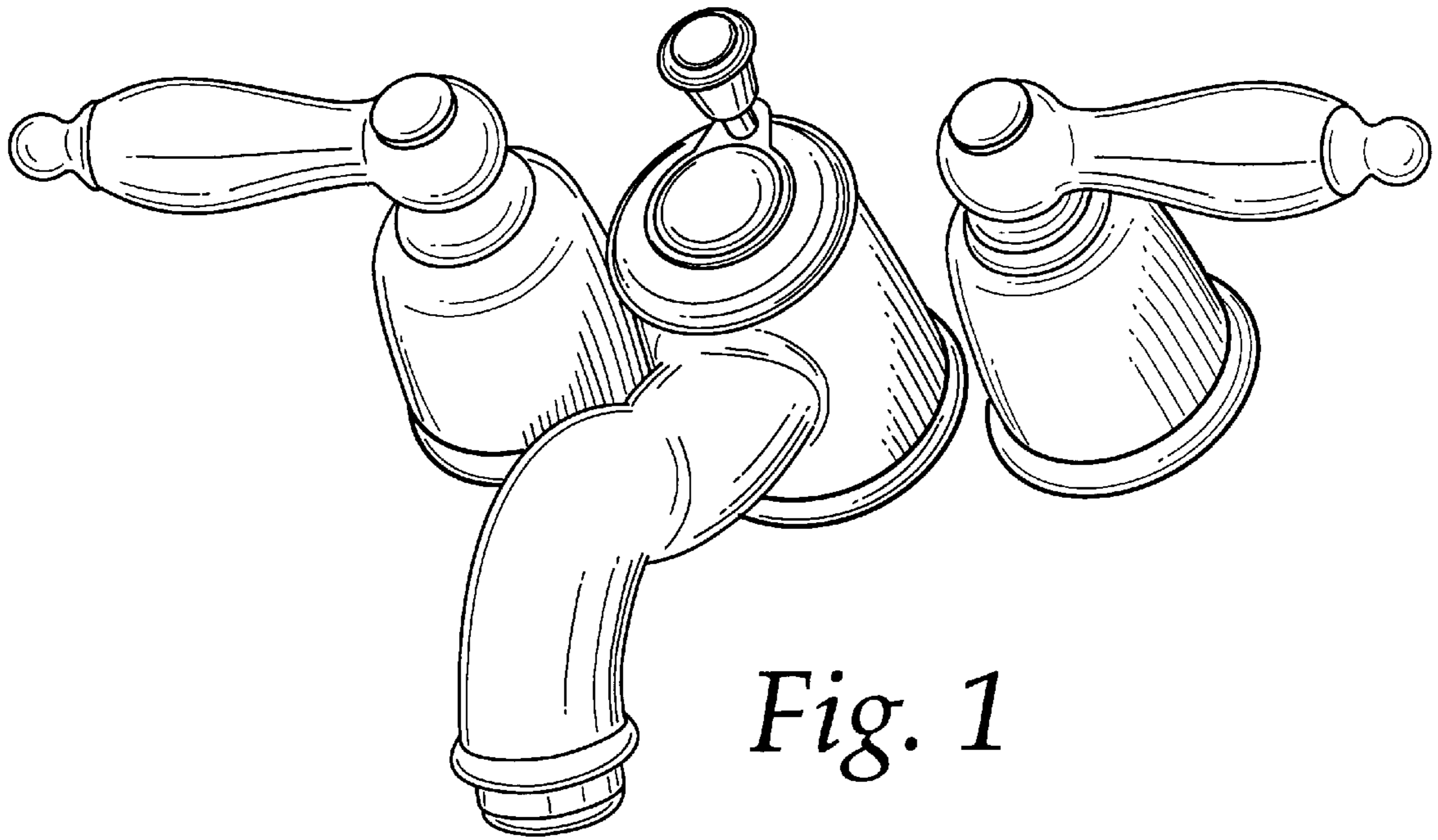


Fig. 1

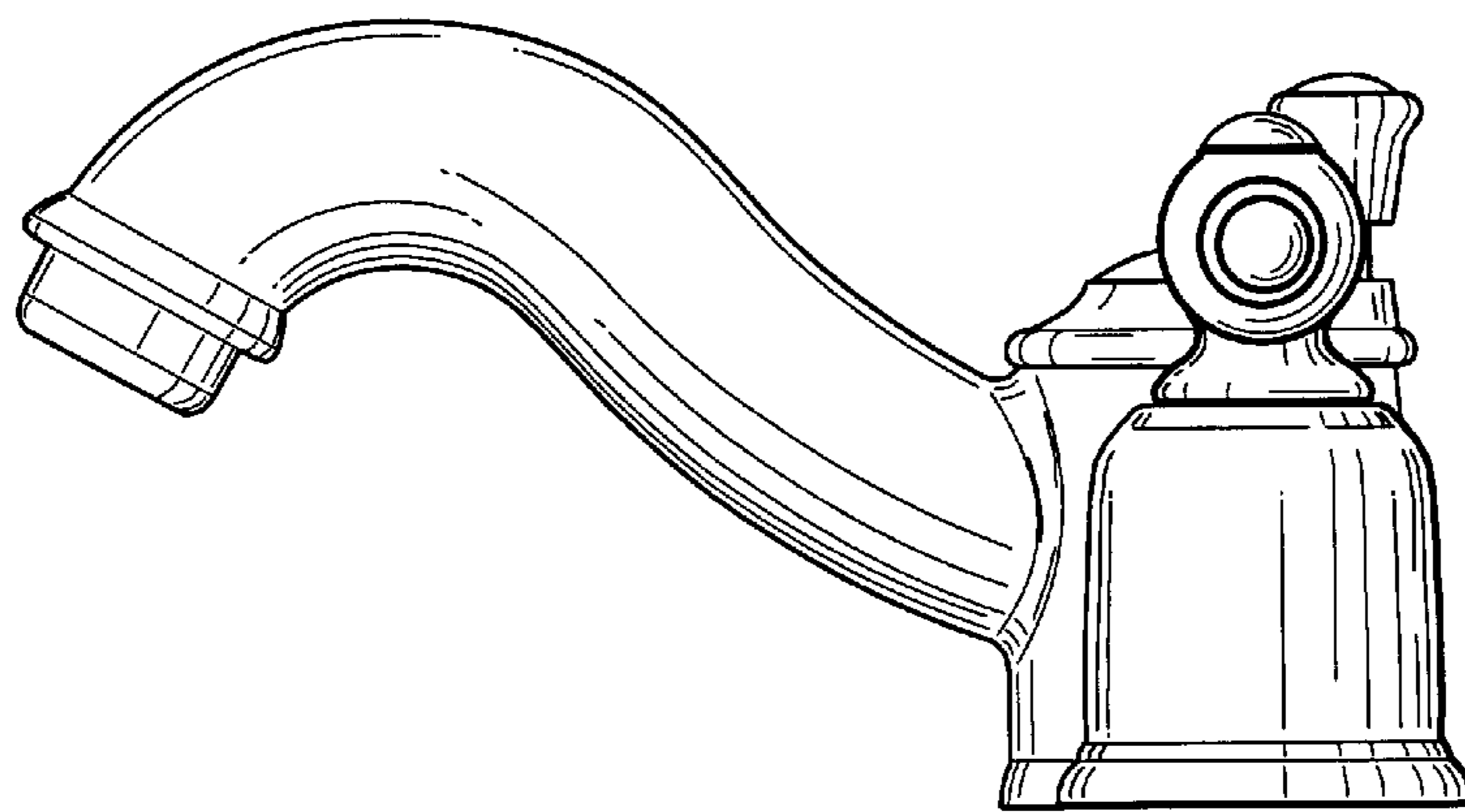


Fig. 2

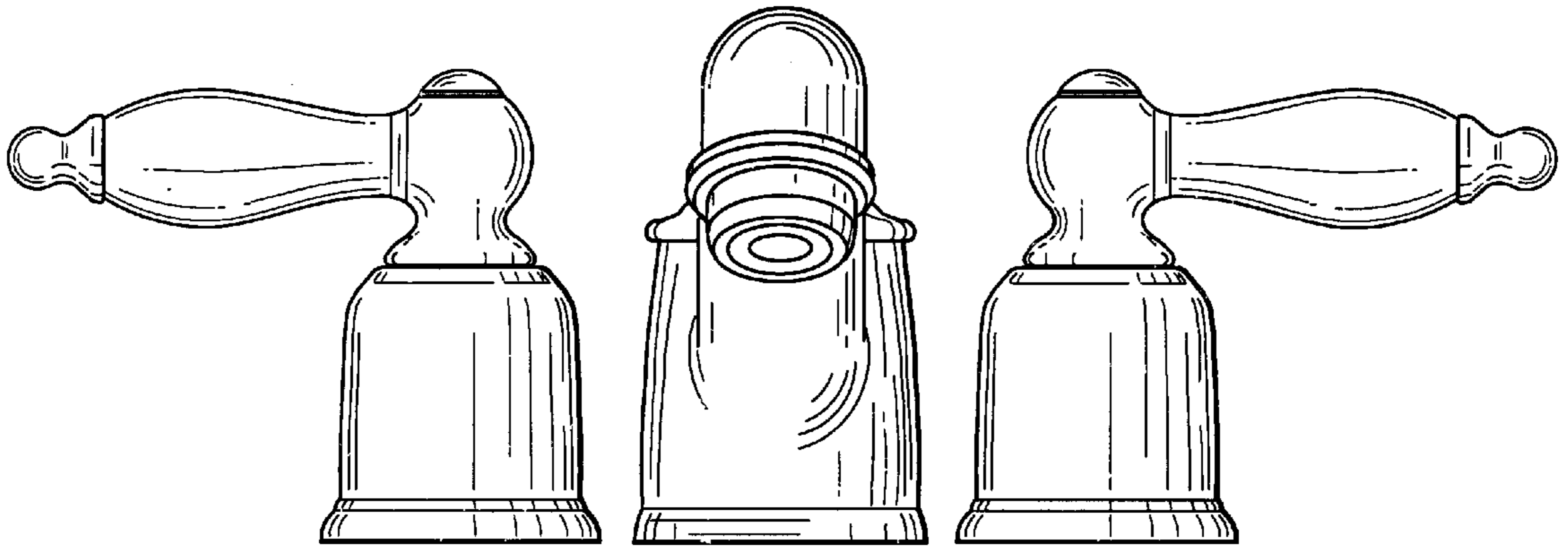


Fig. 3

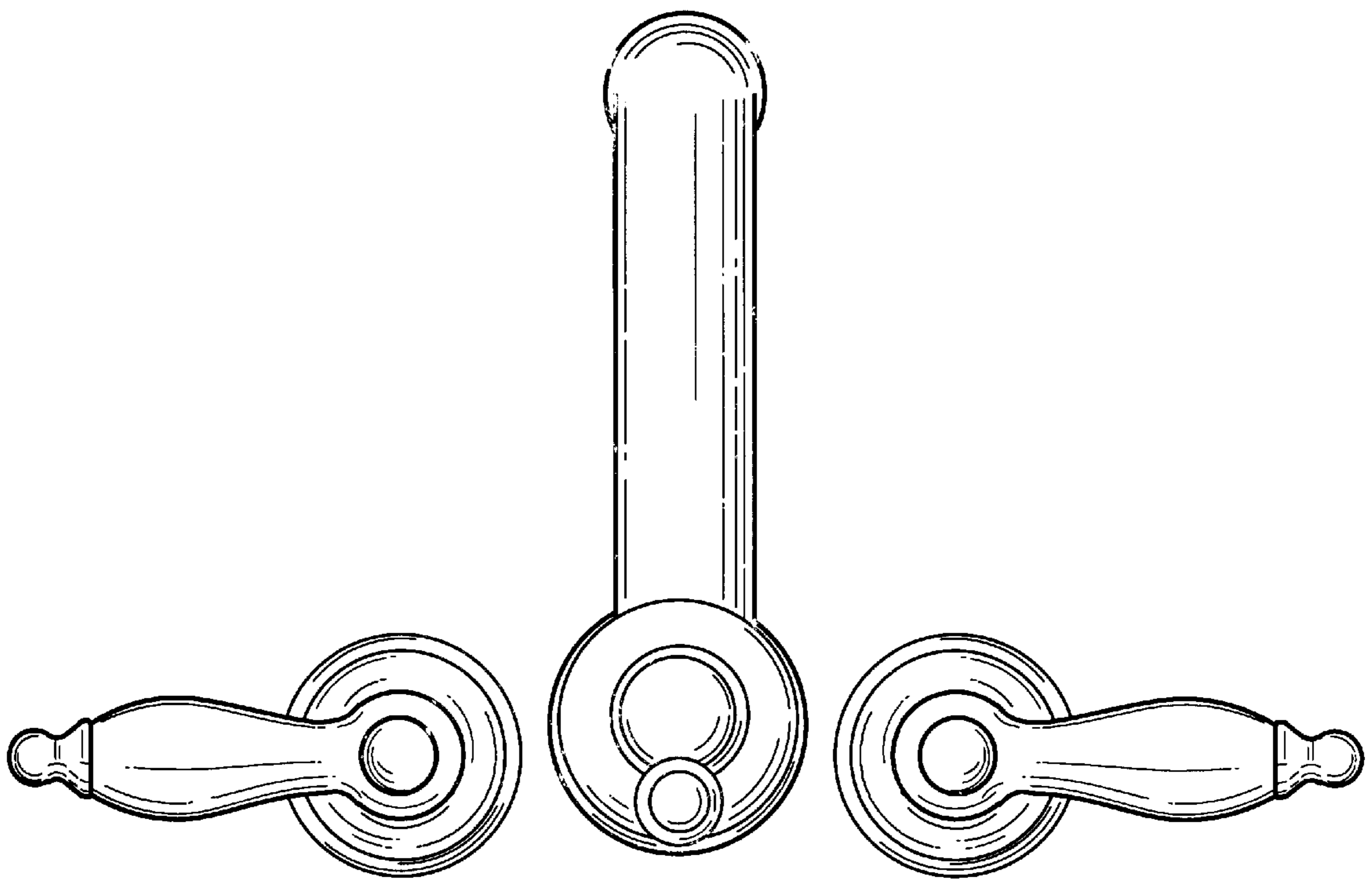


Fig. 4

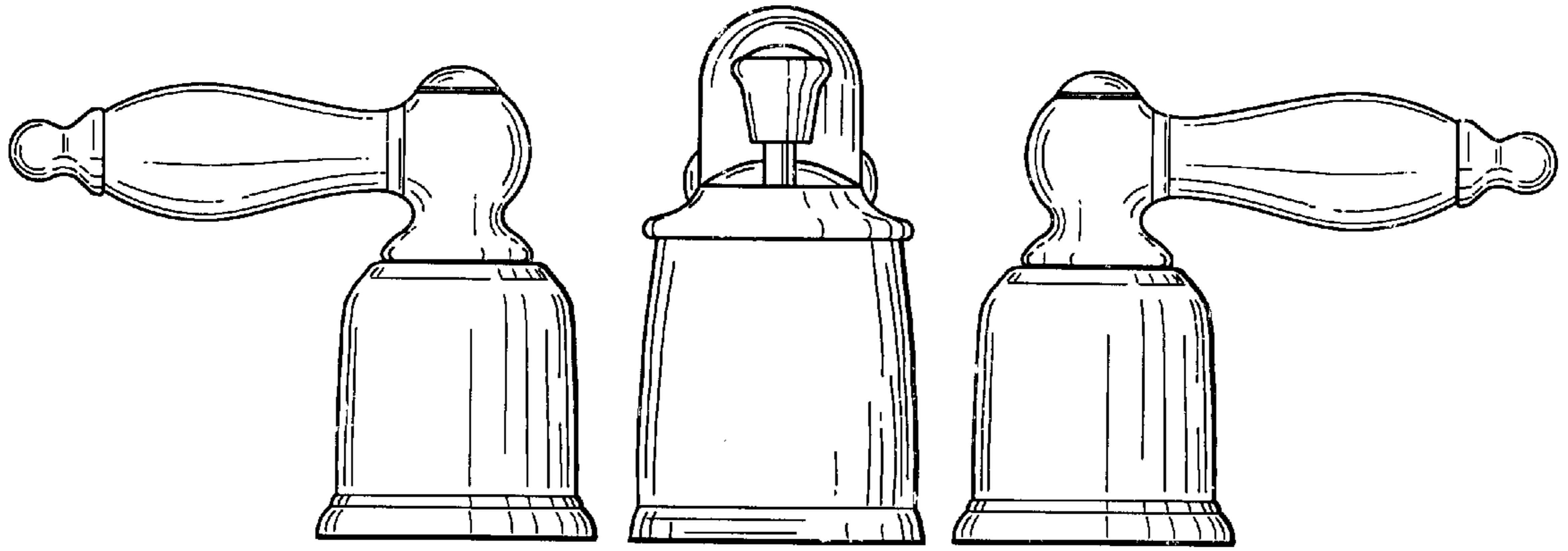


Fig. 5