



US00D467641S

(12) **United States Design Patent**
Lord

(10) **Patent No.:** **US D467,641 S**

(45) **Date of Patent:** **** *Dec. 24, 2002**

(54) **SINGLE HANDLE FAUCET WITH PULL-OUT SPOUT**

D444,851 S * 7/2001 Sturgeon D23/238

* cited by examiner

(75) Inventor: **Judd A. Lord**, Carmel, IN (US)

Primary Examiner—Ian Simmons

Assistant Examiner—Gregory Andoll

(73) Assignee: **Masco Corporation of Indiana**, Indianapolis, IN (US)

(74) *Attorney, Agent, or Firm*—Myron B. Kapustij; Lloyd D. Doigan

(*) Notice: This patent is subject to a terminal disclaimer.

(57) **CLAIM**

(**) Term: **14 Years**

The ornamental design for a single handle faucet with pull-out spout, as shown and described.

(21) Appl. No.: **29/152,051**

DESCRIPTION

(22) Filed: **Dec. 13, 2001**

FIG. 1 is a front perspective view of the single handle faucet with pull-out spout showing my new design;

(51) **LOC (7) Cl.** **23-01**

FIG. 2 is a rear perspective view thereof;

(52) **U.S. Cl.** **D23/238**

FIG. 3 is a top plan view thereof;

(58) **Field of Search** D23/223, 238–243, D23/250–257, 226, 249; 4/675–678; 137/801

FIG. 4 is a right side elevational view thereof;

FIG. 5 is a front elevational view thereof;

FIG. 6 is a left side elevational view thereof;

FIG. 7 is a rear elevational view thereof; and,

FIG. 8 is a bottom plan view thereof.

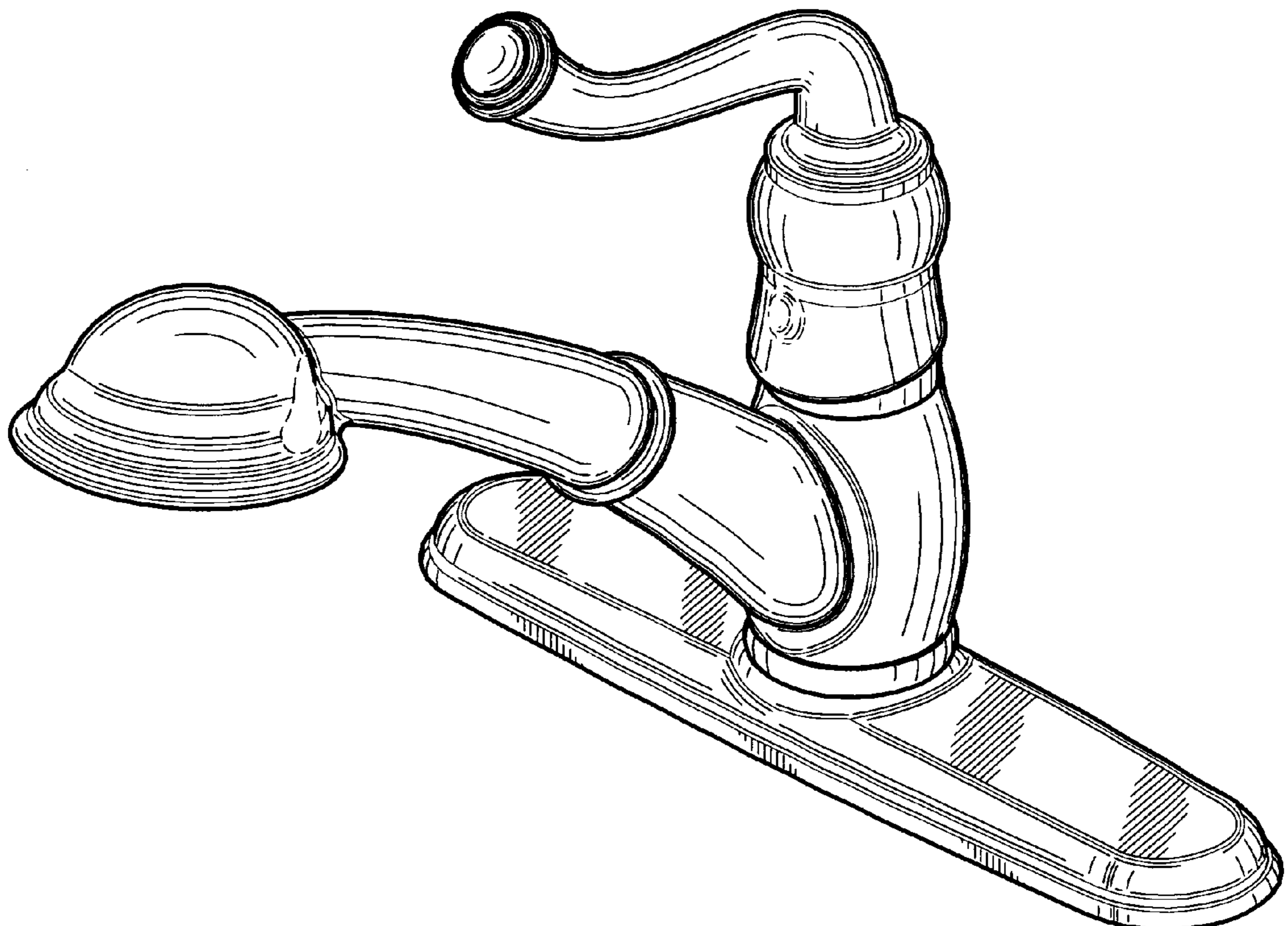
(56) **References Cited**

U.S. PATENT DOCUMENTS

D290,492 S	*	6/1987	Hill et al.	D23/238
D343,227 S	*	1/1994	Dannenberg et al.	D23/238
D368,764 S	*	4/1996	Hill et al.	D23/238
D411,871 S	*	7/1999	Lord	D23/241
D432,215 S	*	10/2000	Spangler	D23/249
D433,739 S	*	11/2000	Lord	D23/252

The broken line showing of the handle set screw in FIG. 1, of the on-off button in FIGS. 1–4, 6 and 7, and of the face plate with spray apertures in FIG. 8 are for purposes of illustration only and form no part of the claimed design.

1 Claim, 8 Drawing Sheets



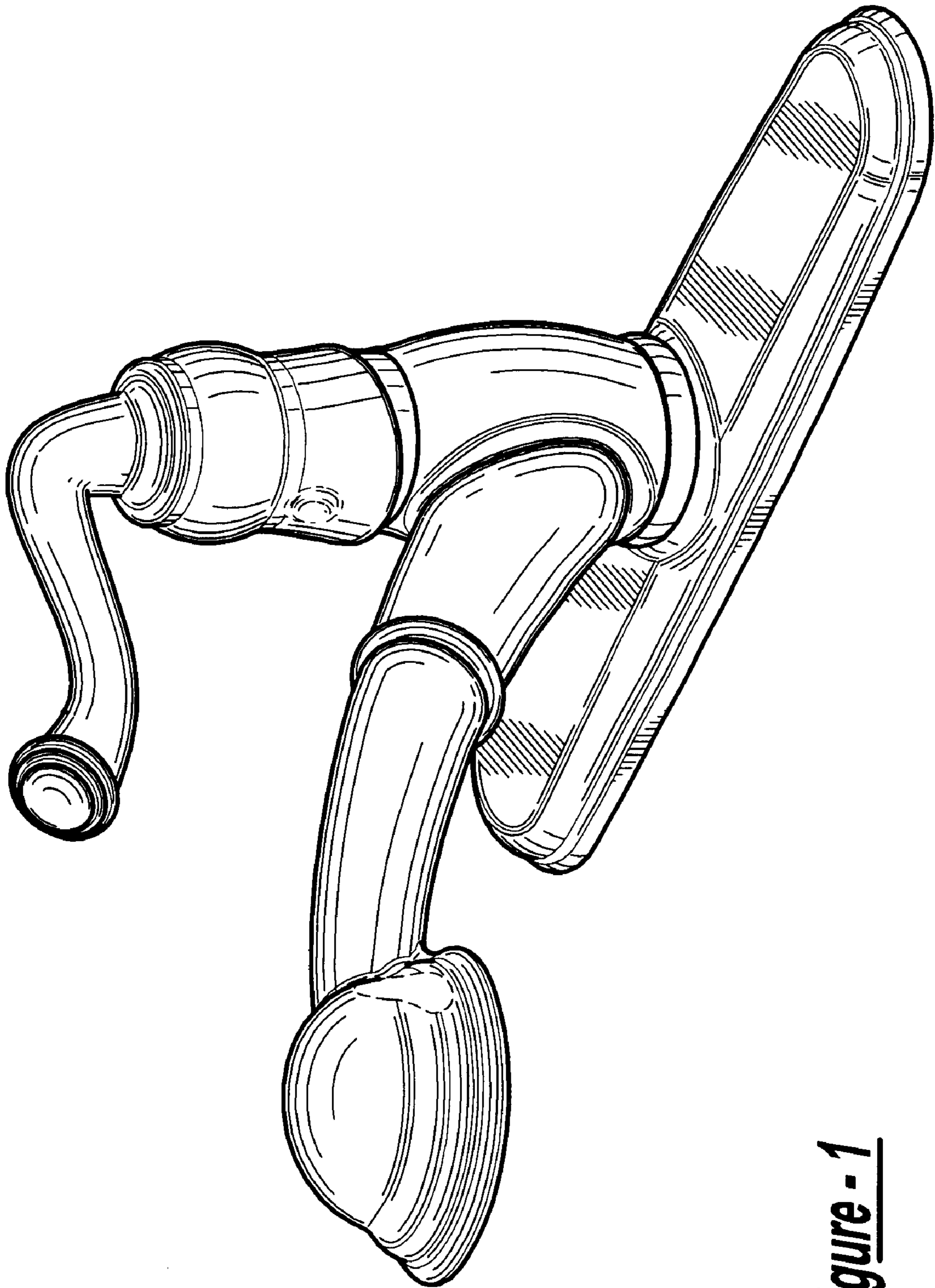
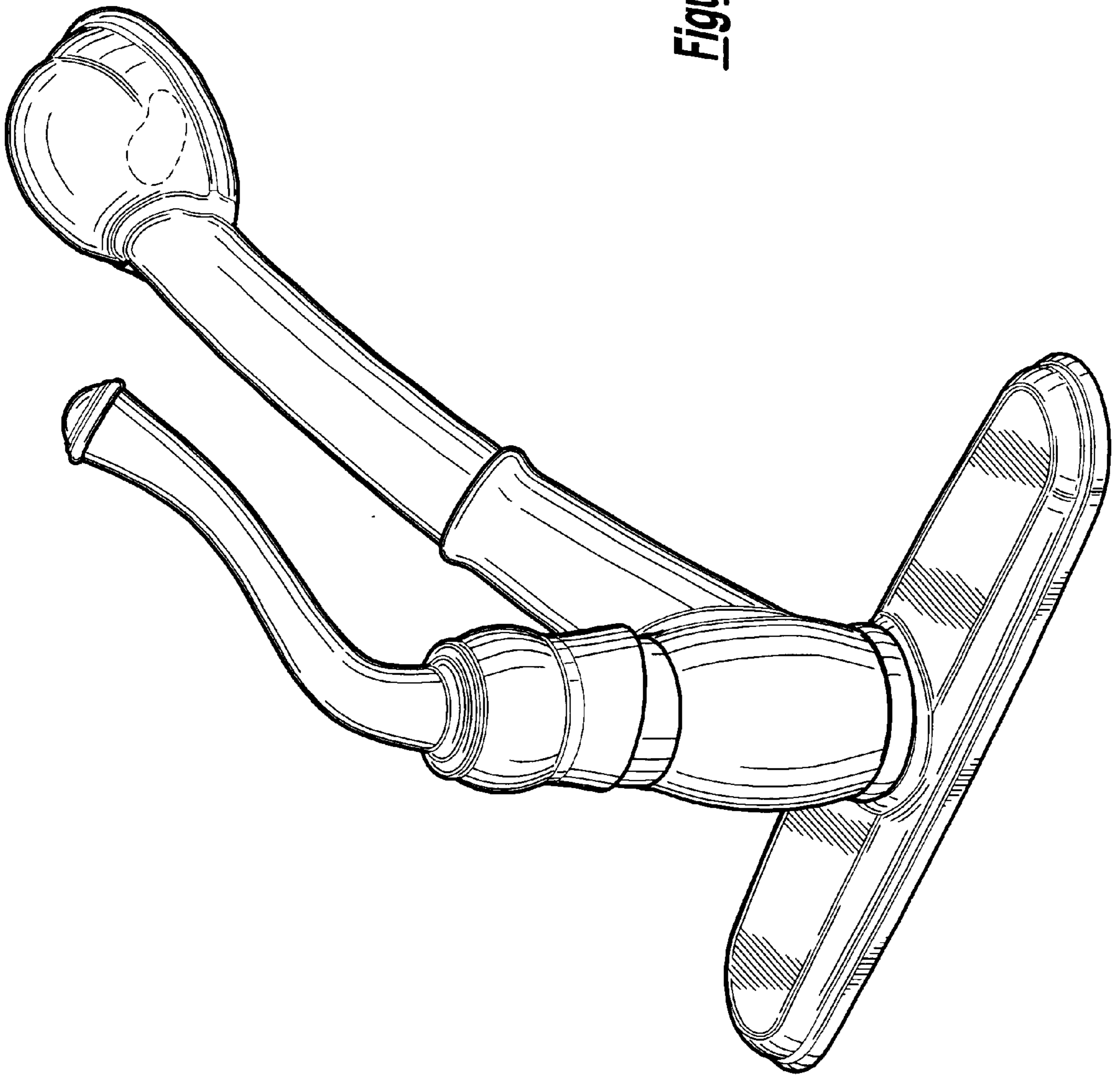


Figure - 1

Figure - 2



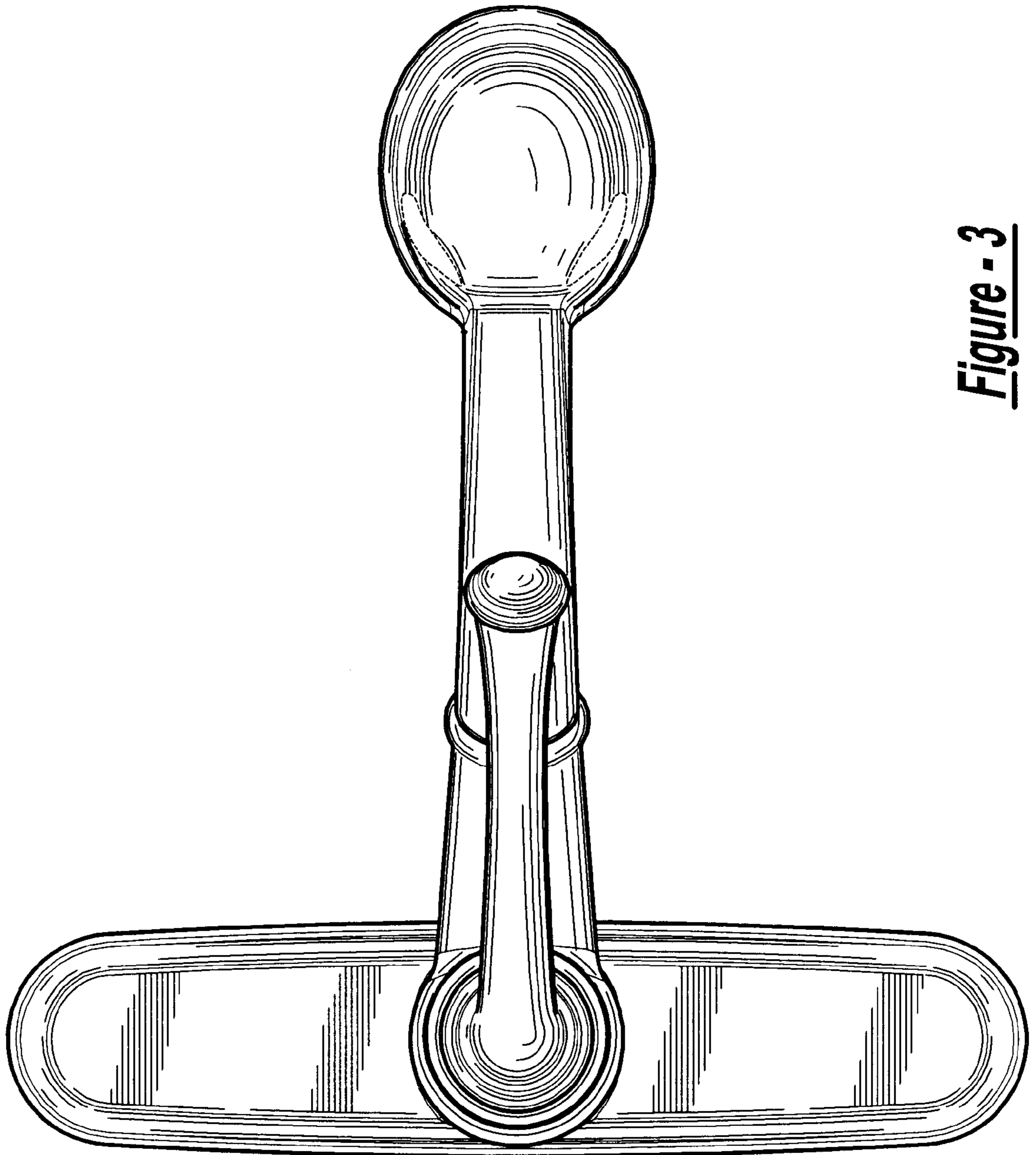


Figure - 3

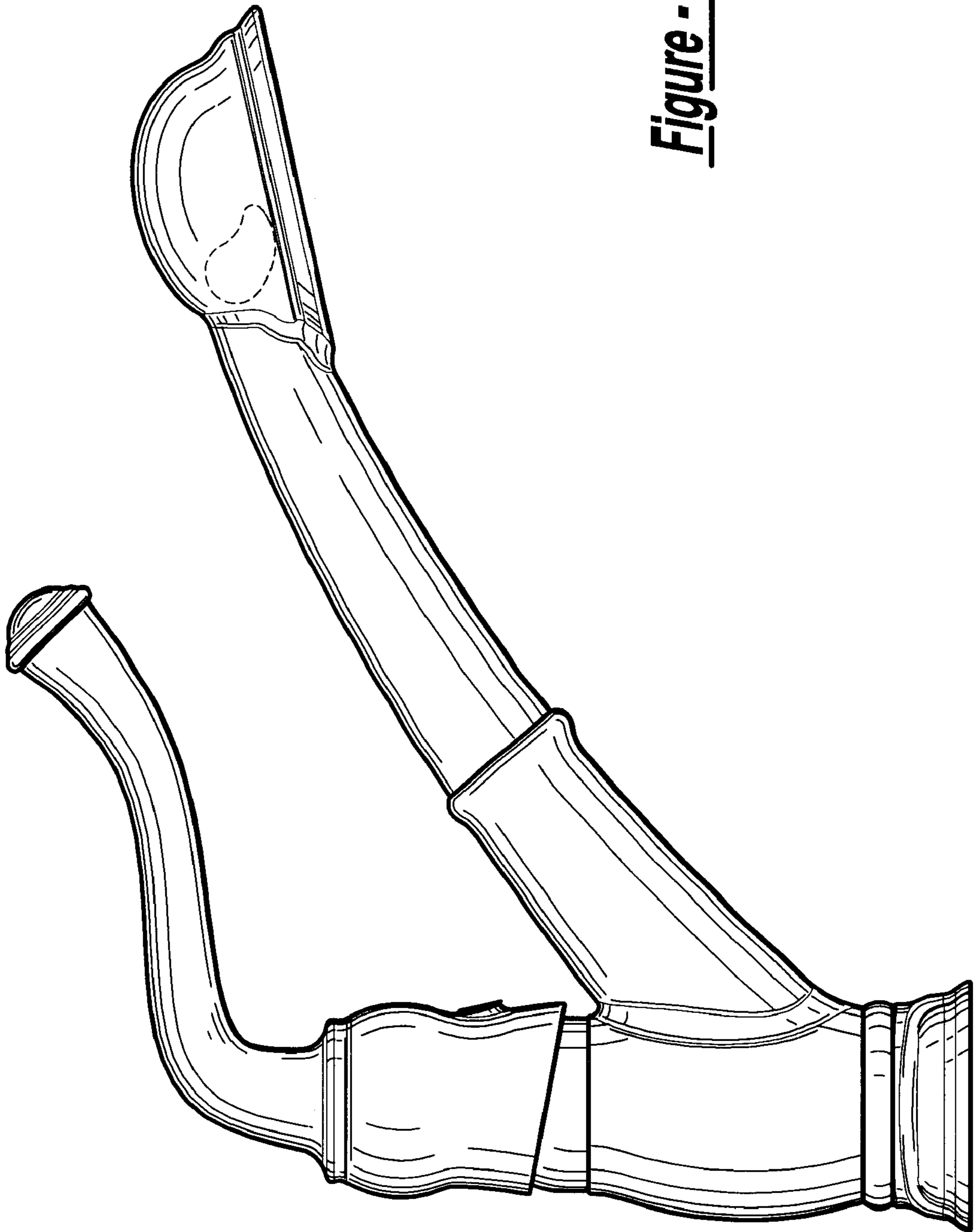
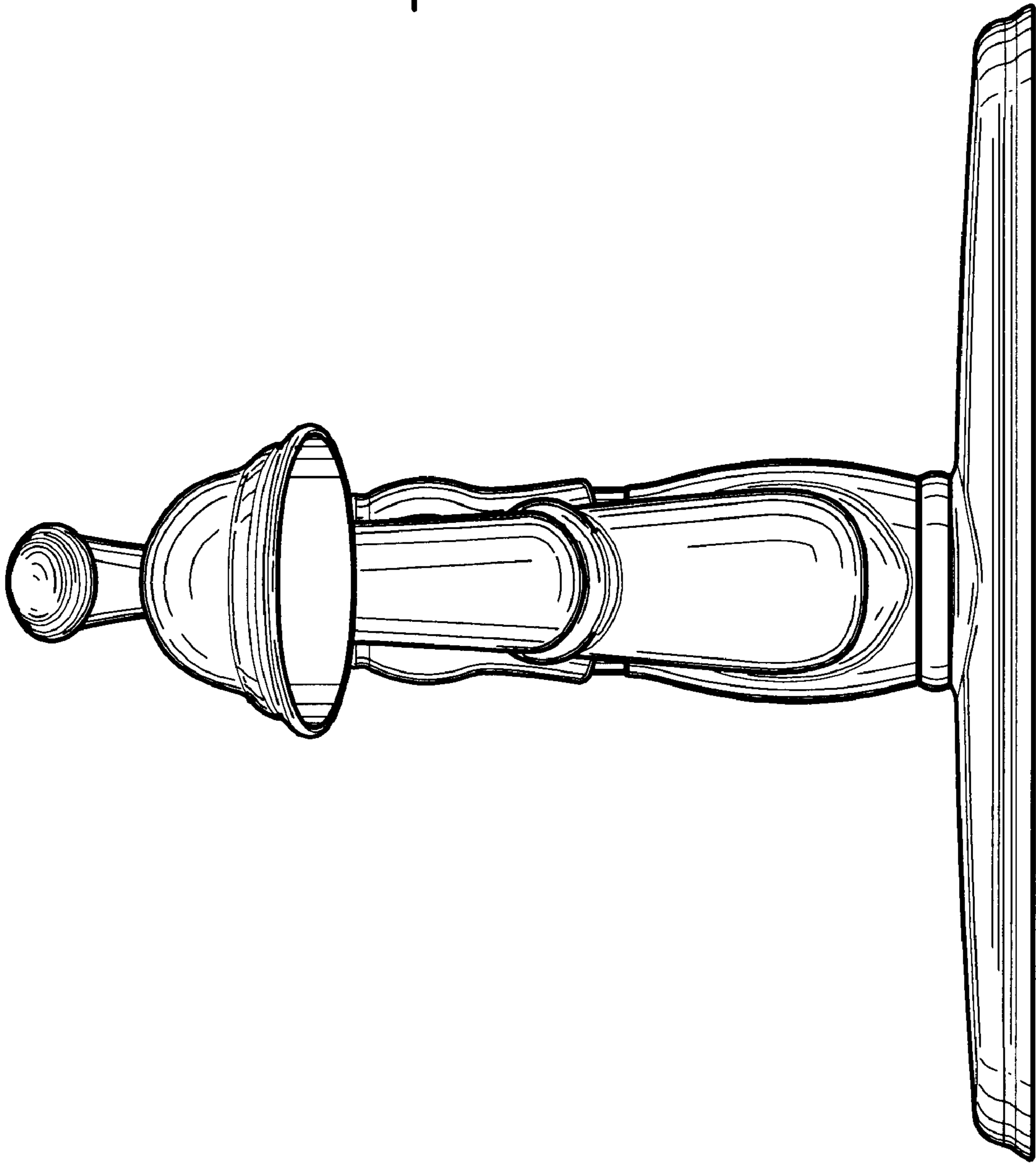


Figure - 4

Figure - 5



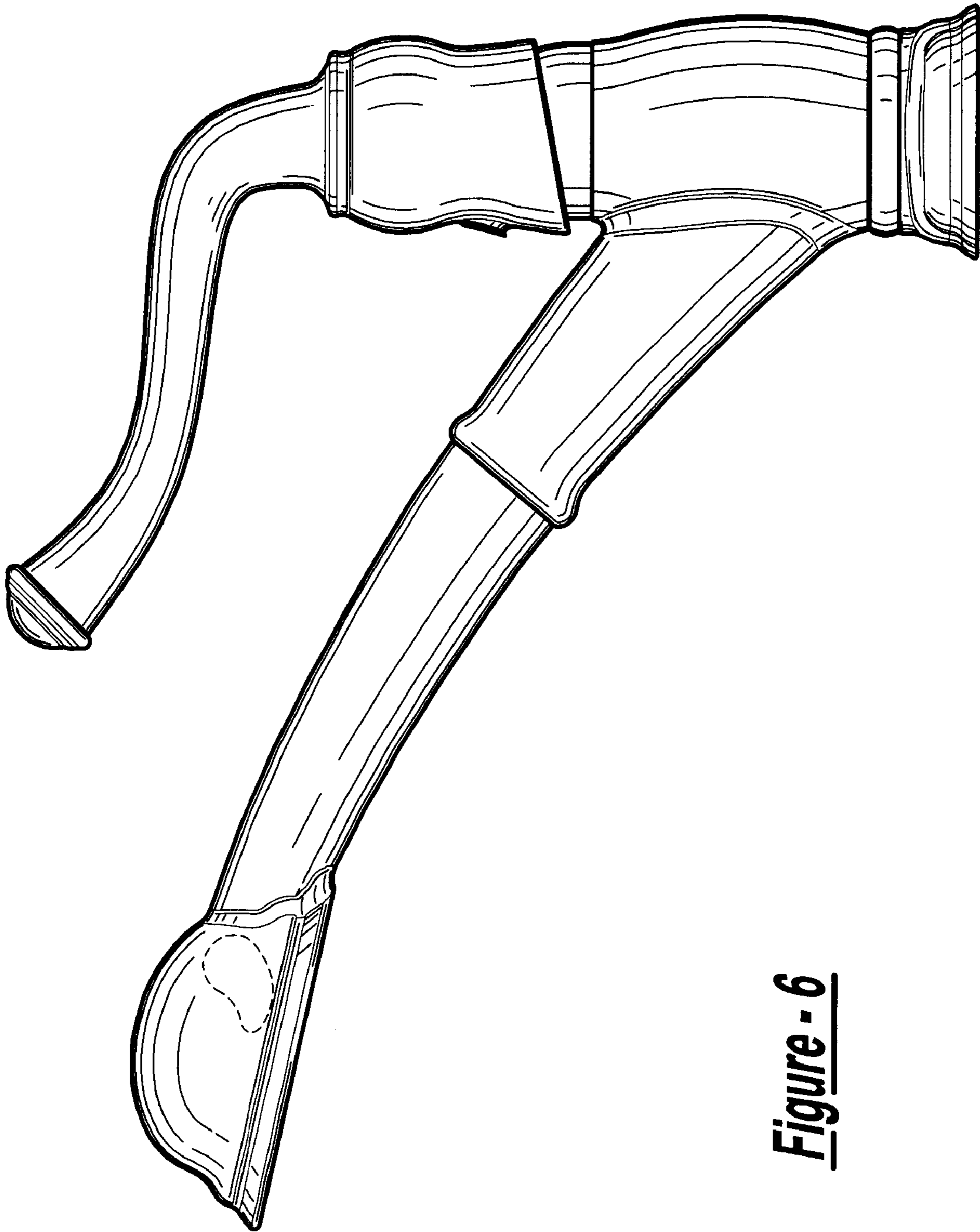


Figure - 6

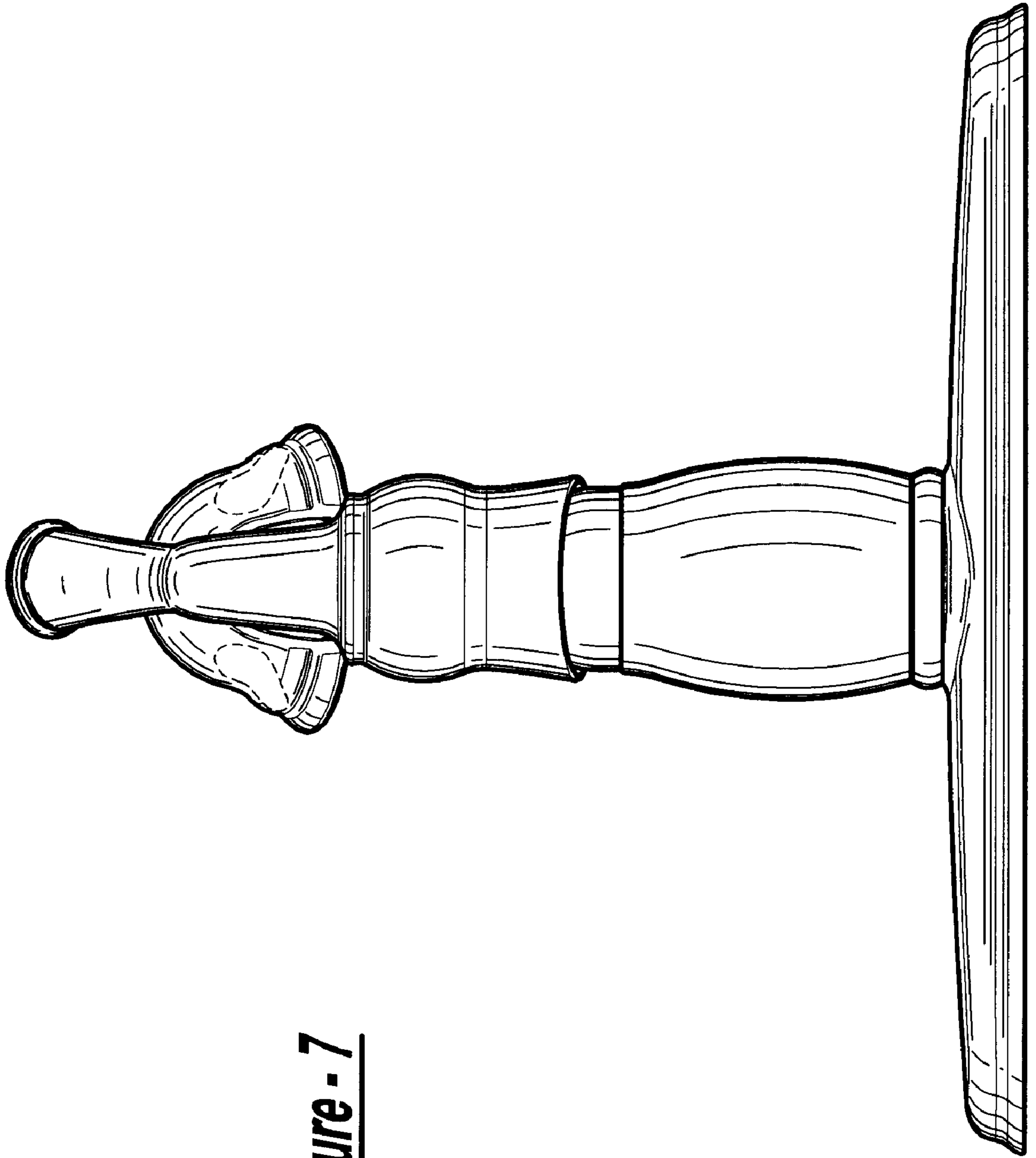


Figure - 7

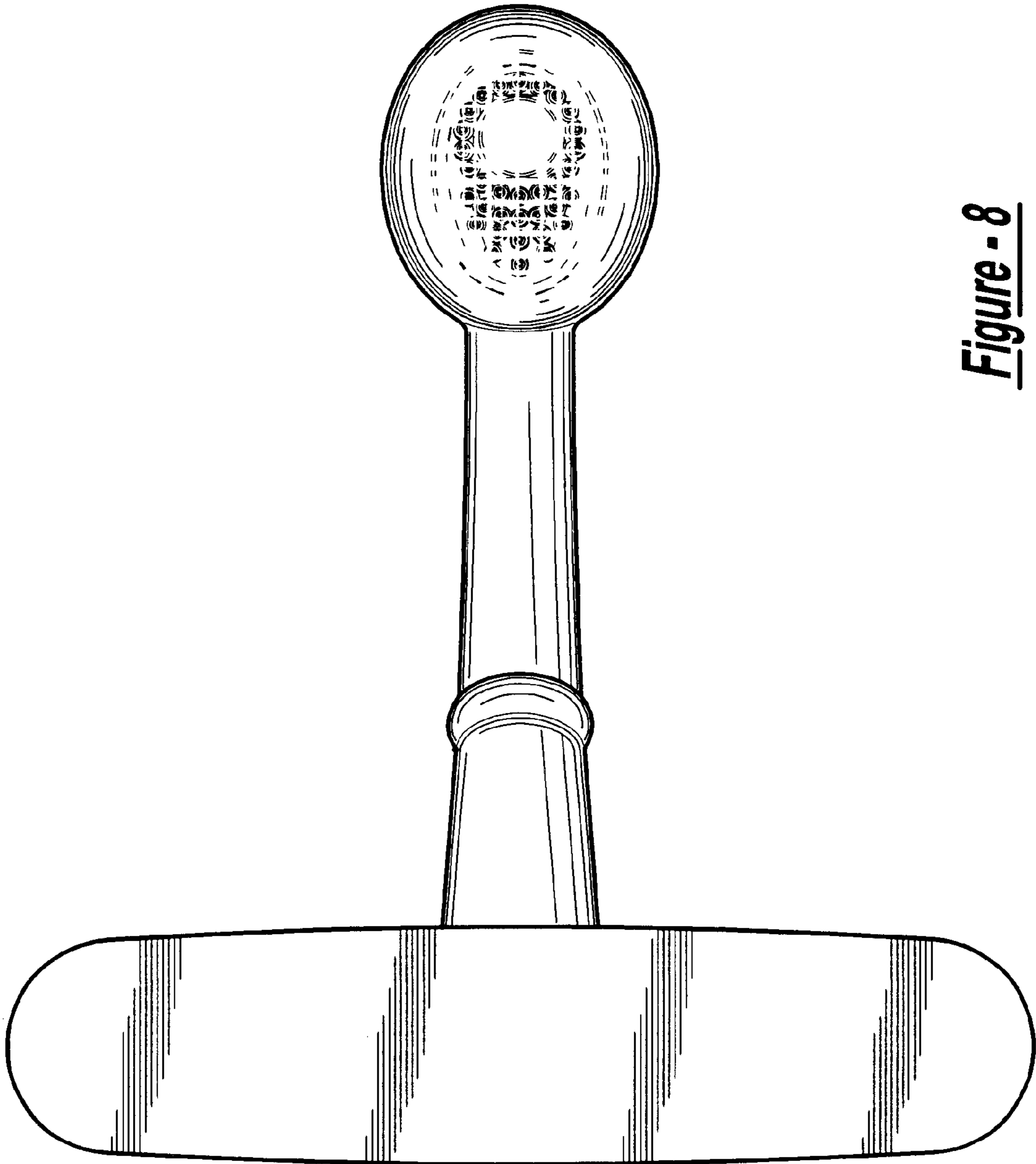


Figure - 8