



US00D467640S

(12) **United States Design Patent**
Lord

(10) **Patent No.:** **US D467,640 S**

(45) **Date of Patent:** **** Dec. 24, 2002**

(54) **SINGLE HANDLE FAUCET WITH
PULL-OUT SPOUT**

D444,851 S * 7/2001 Sturgeon D23/238

* cited by examiner

(75) Inventor: **Judd A. Lord**, Carmel, IN (US)

Primary Examiner—Ian Simmons

Assistant Examiner—Gregory Andoll

(73) Assignee: **Masco Corporation of Indiana**,
Indianapolis, IN (US)

(74) *Attorney, Agent, or Firm*—Myron B. Kapustij; Lloyd
D. Doigan

(*) Notice: This patent is subject to a terminal dis-
claimer.

(57) **CLAIM**

(**) Term: **14 Years**

The ornamental design for a single handle faucet with
pull-out spout, as shown and described.

(21) Appl. No.: **29/151,947**

DESCRIPTION

(22) Filed: **Dec. 13, 2001**

FIG. 1 is a front perspective view of the single handle faucet
with pull-out spout showing my new design;
FIG. 2 is a top rear perspective view thereof;
FIG. 3 is a top plan view thereof;
FIG. 4 is a right side elevational view thereof;
FIG. 5 is a front elevational view thereof;
FIG. 6 is a left side elevational view thereof;
FIG. 7 is a rear elevational view thereof; and,
FIG. 8 is a bottom plan view thereof.

(51) **LOC (7) Cl.** **23-01**

(52) **U.S. Cl.** **D23/238**

(58) **Field of Search** D23/223, 238–243,
D23/250–257, 226, 249; 4/675–678; 137/801

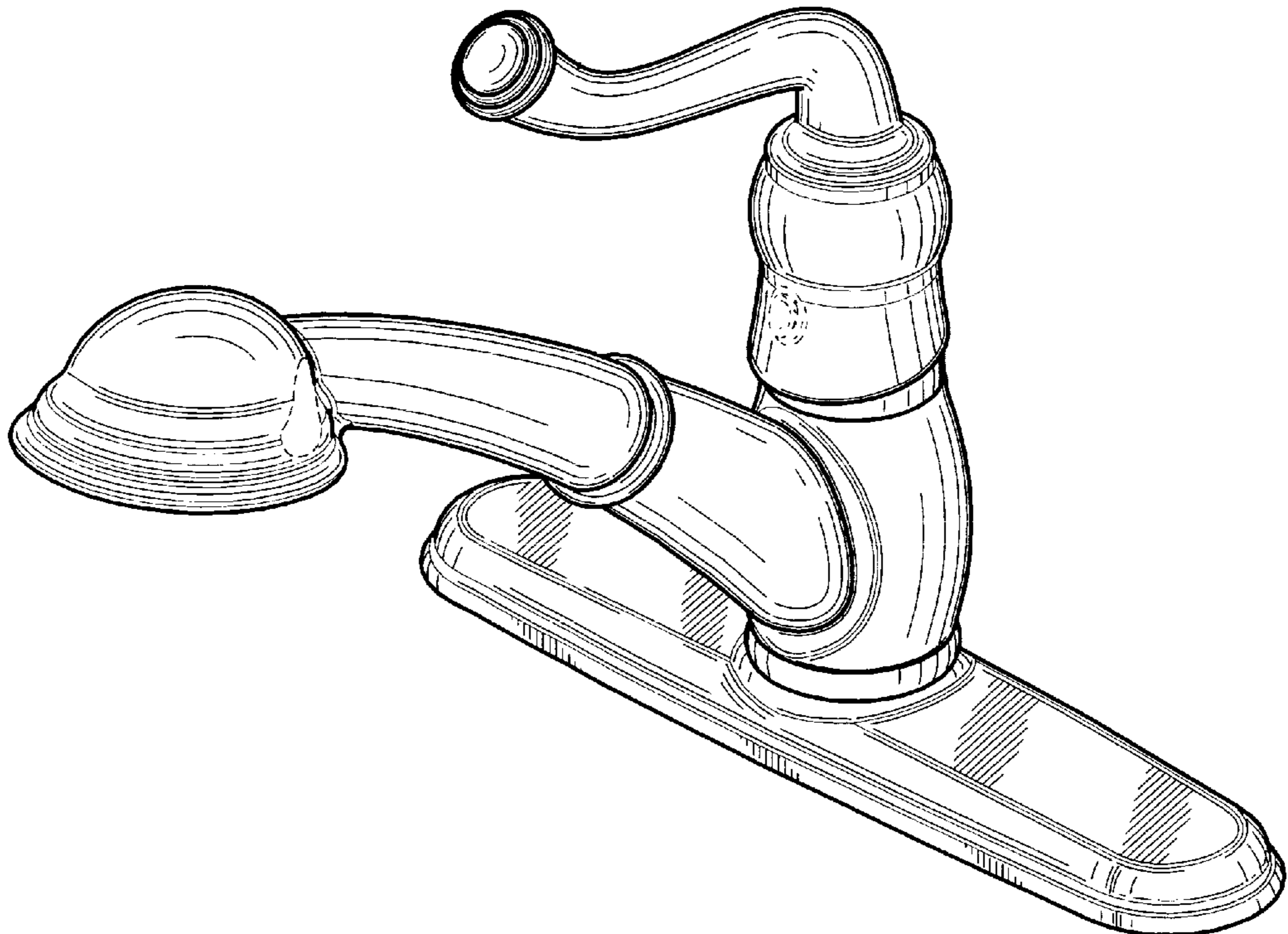
The broken line showing of the handle set screw in FIG. 1
and of the spray pattern selector button in FIGS. 1–4, 6 and
7 are for purposes of illustration only and form no part of the
claimed design.

(56) **References Cited**

U.S. PATENT DOCUMENTS

D290,492 S	*	6/1987	Hill et al.	D23/238
D343,227 S	*	1/1994	Dannenberg et al.	D23/238
D368,764 S	*	4/1996	Hill et al.	D23/238
D411,871 S	*	7/1999	Lord	D23/241
D432,215 S	*	10/2000	Spangler	D23/249
D433,739 S	*	11/2000	Lord	D23/252

1 Claim, 8 Drawing Sheets



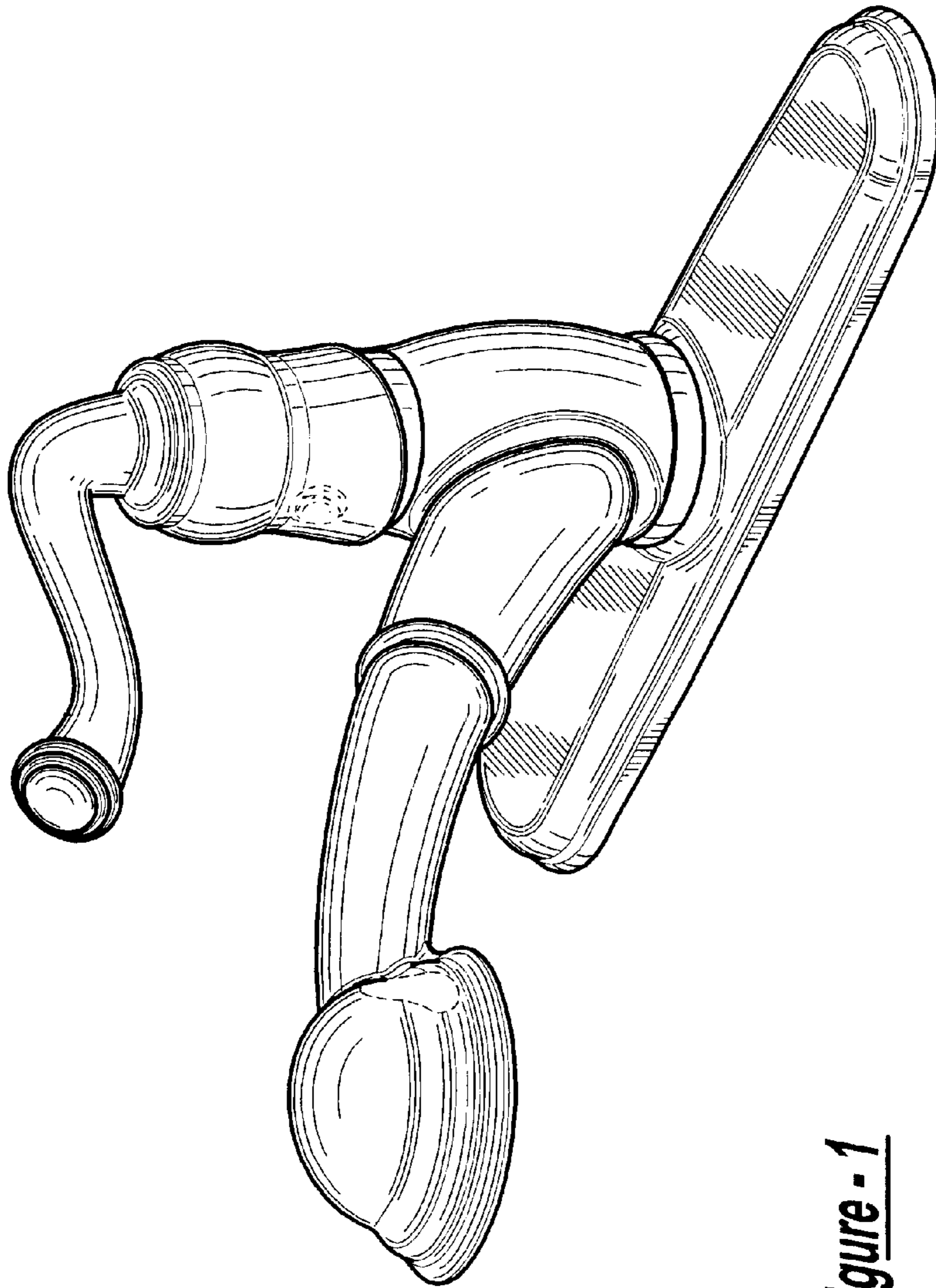
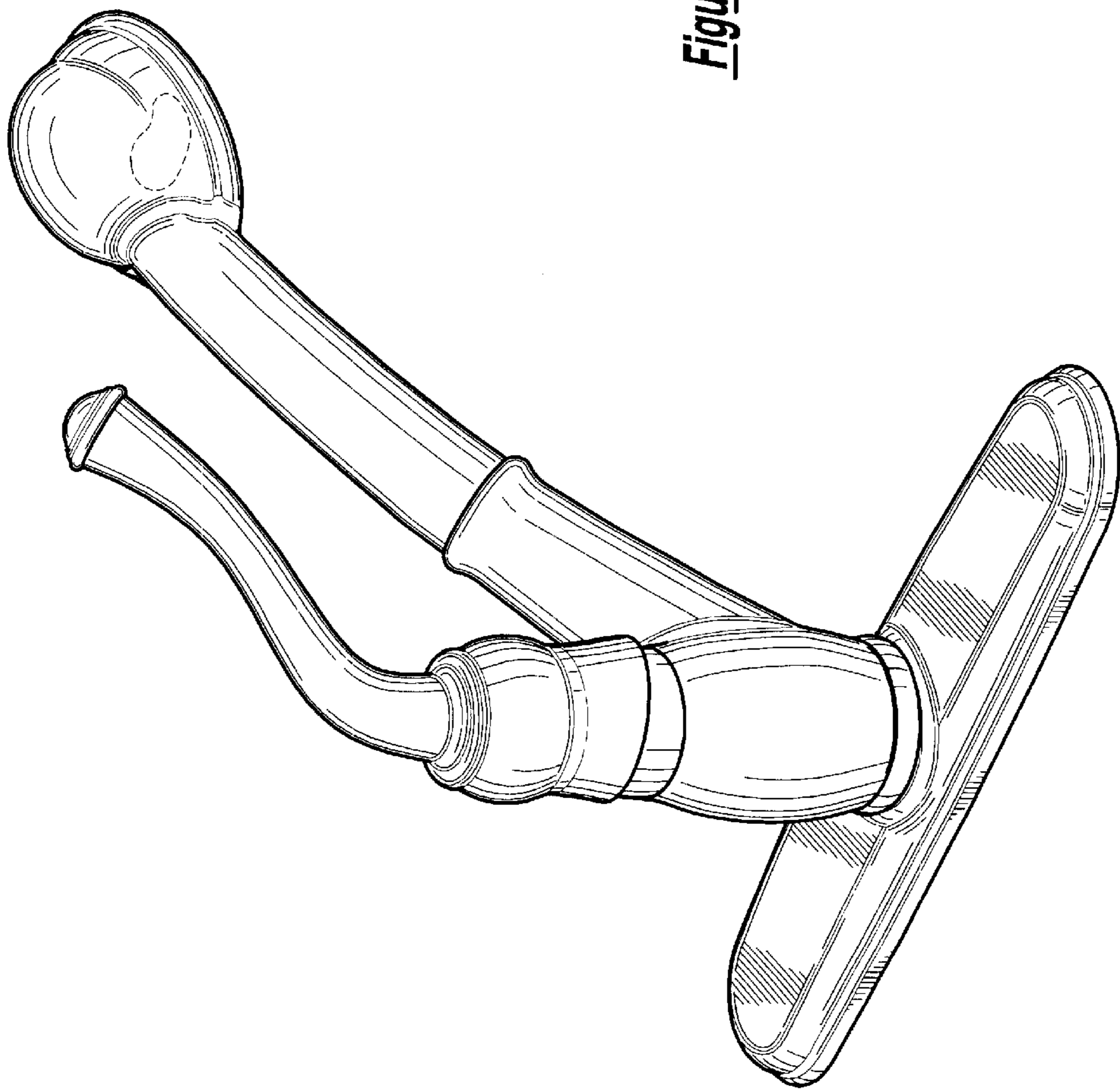


Figure - 1

Figure - 2



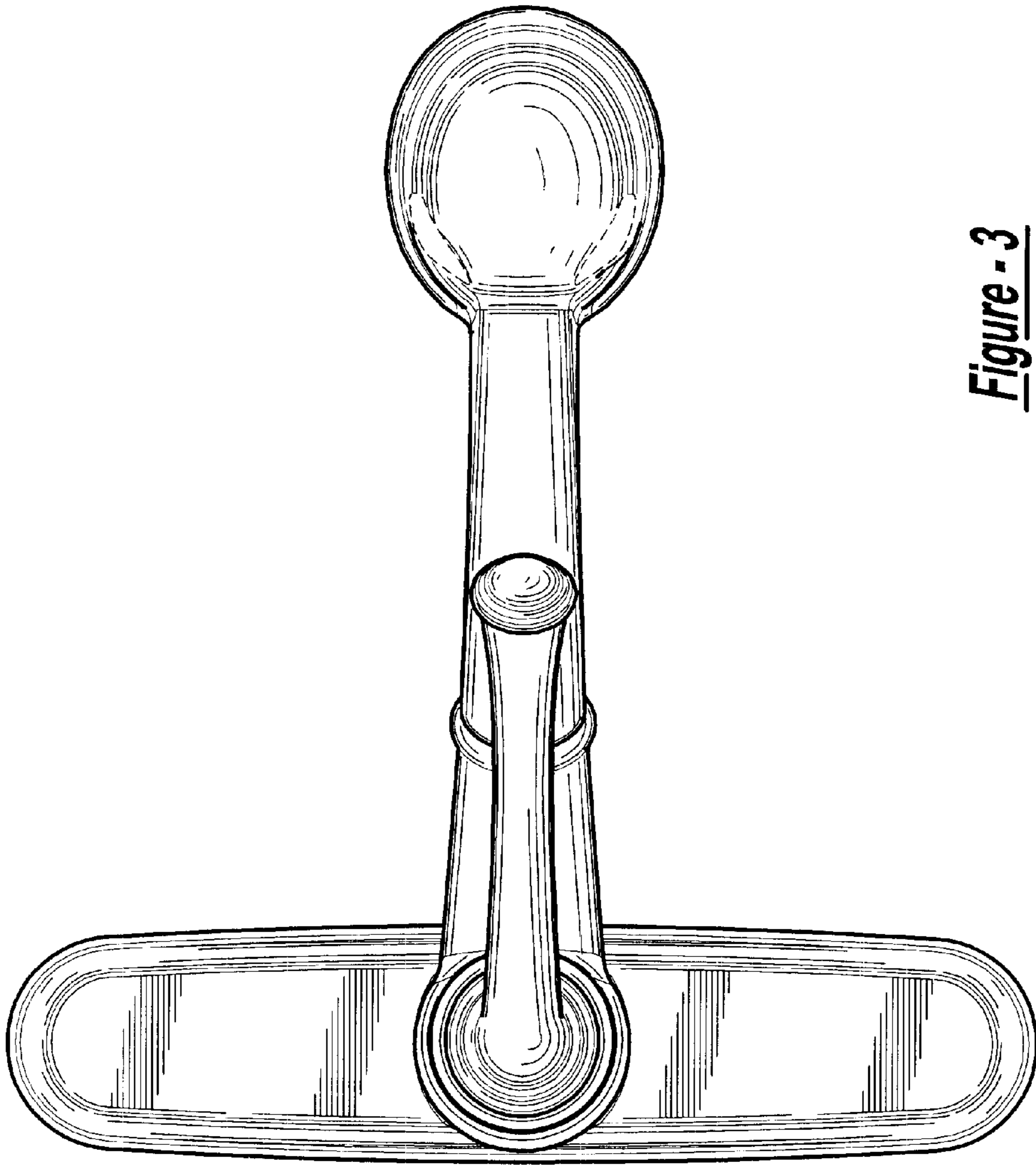


Figure - 3

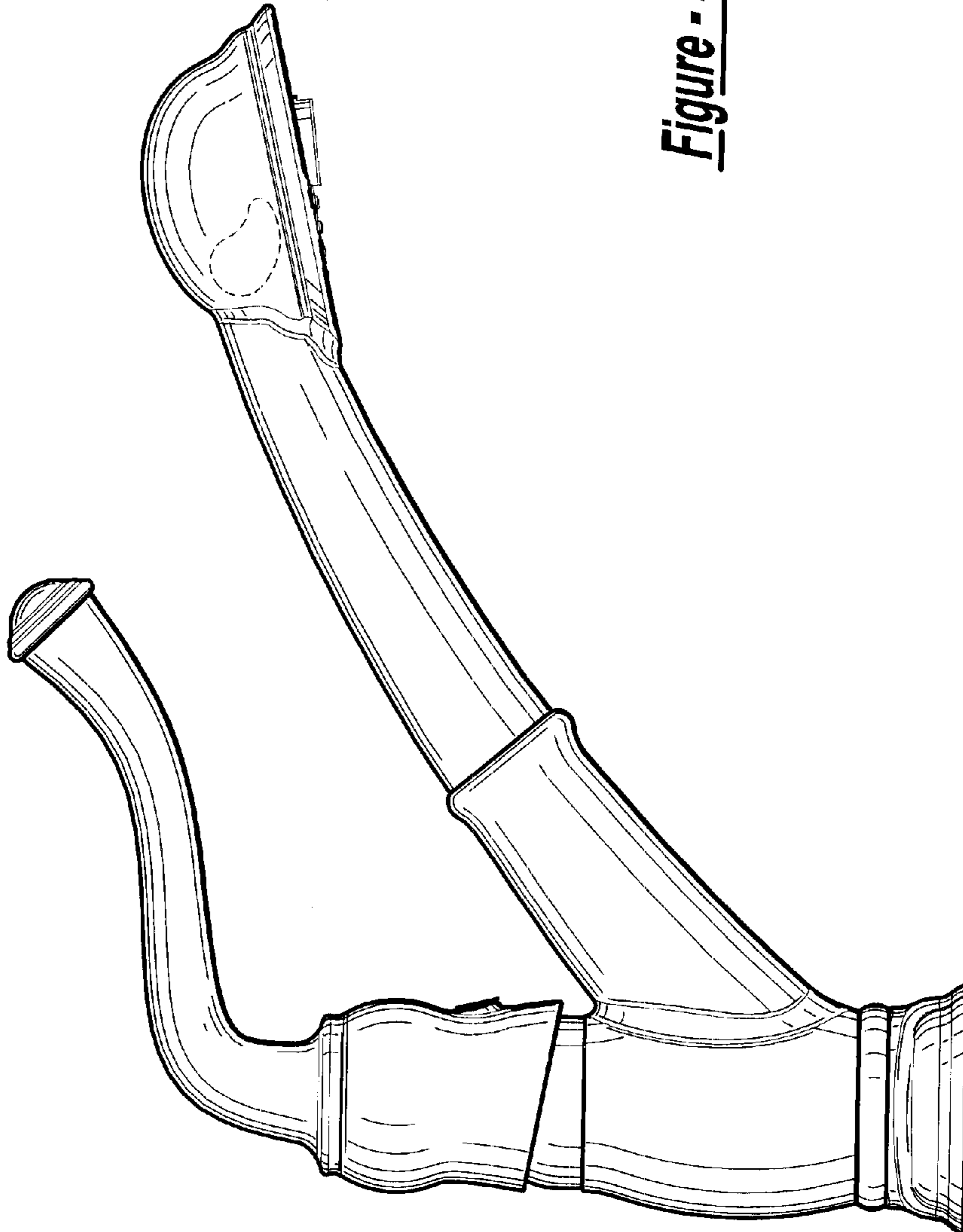
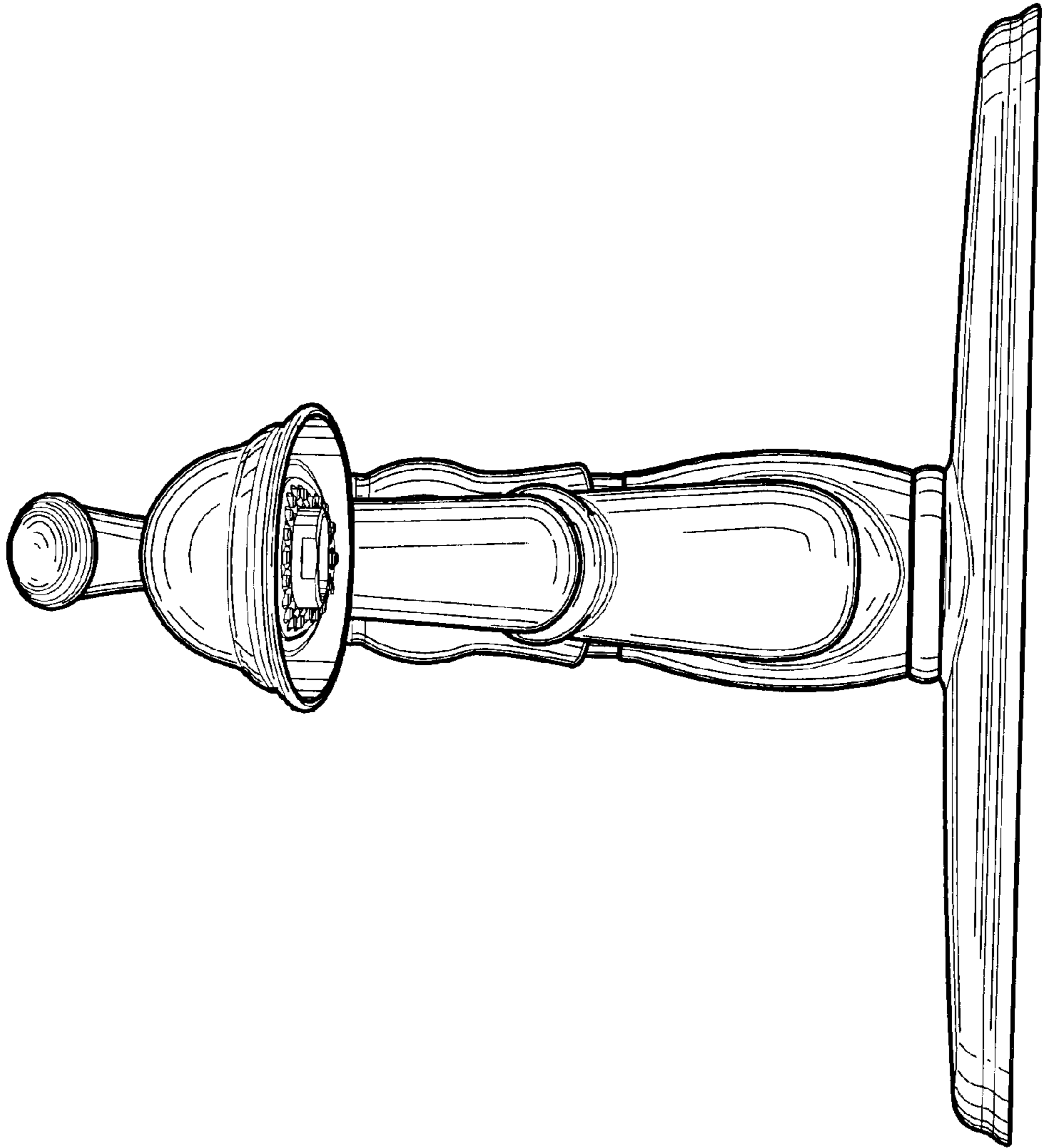


Figure - 4

Figure - 5



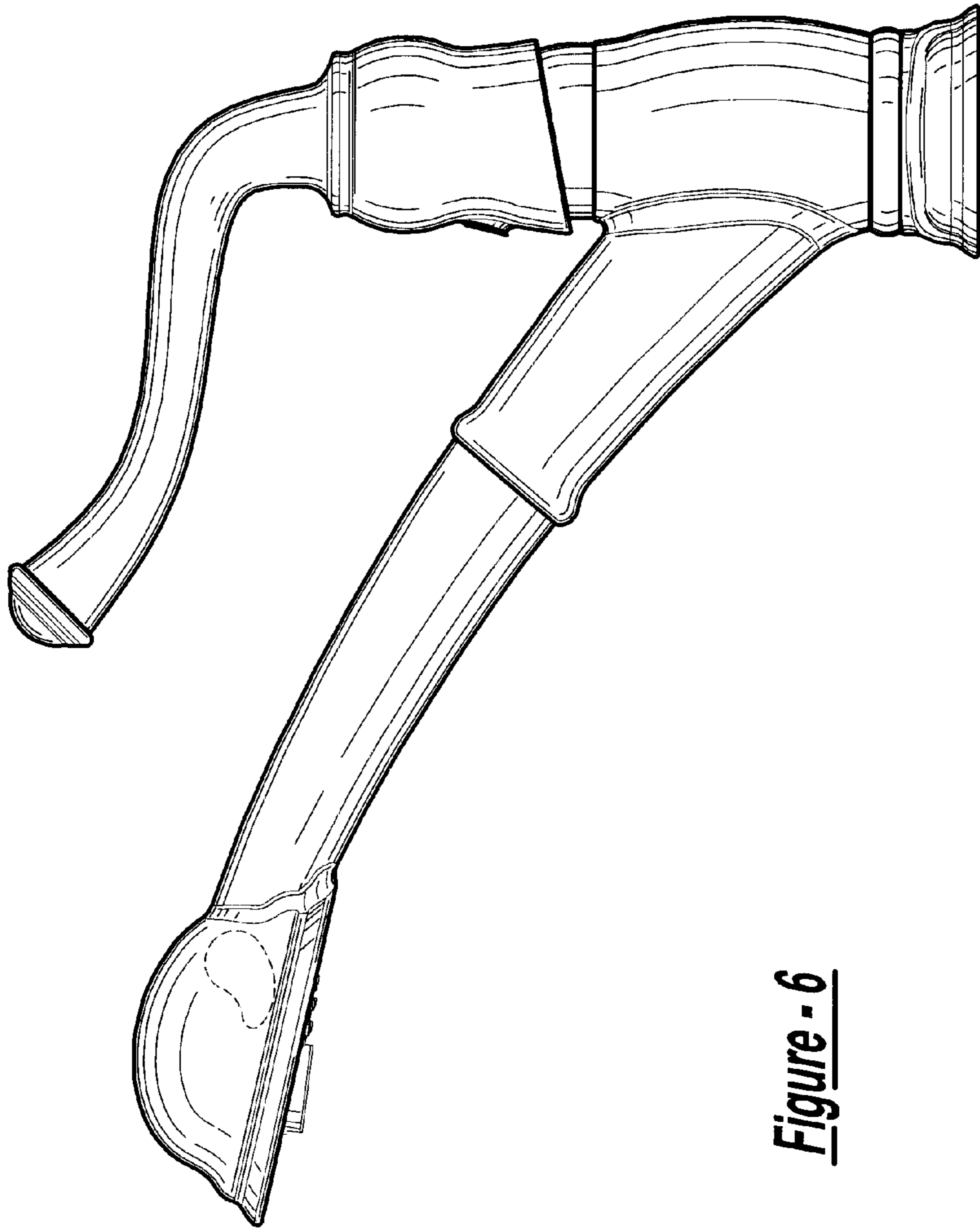


Figure - 6

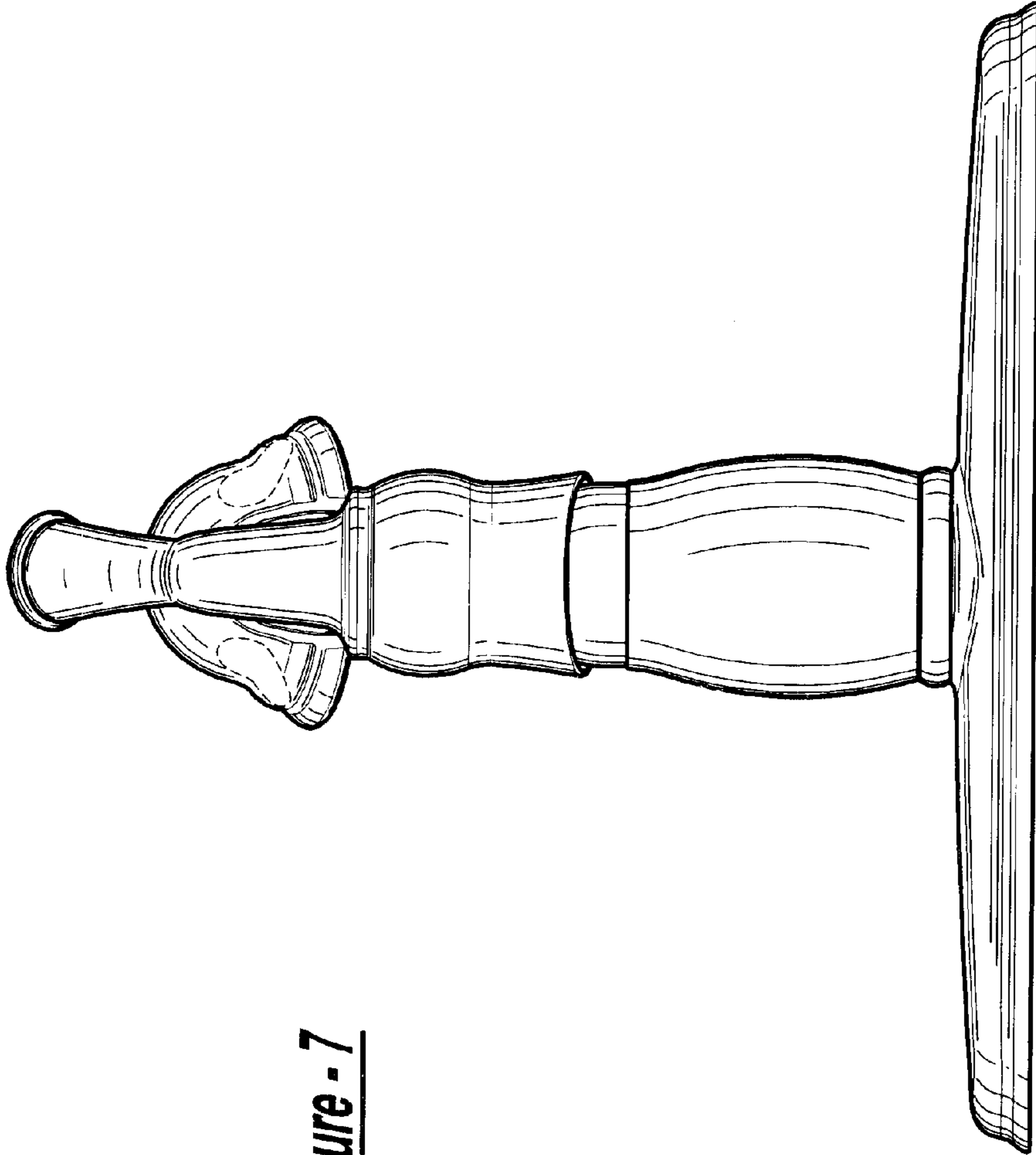


Figure - 7

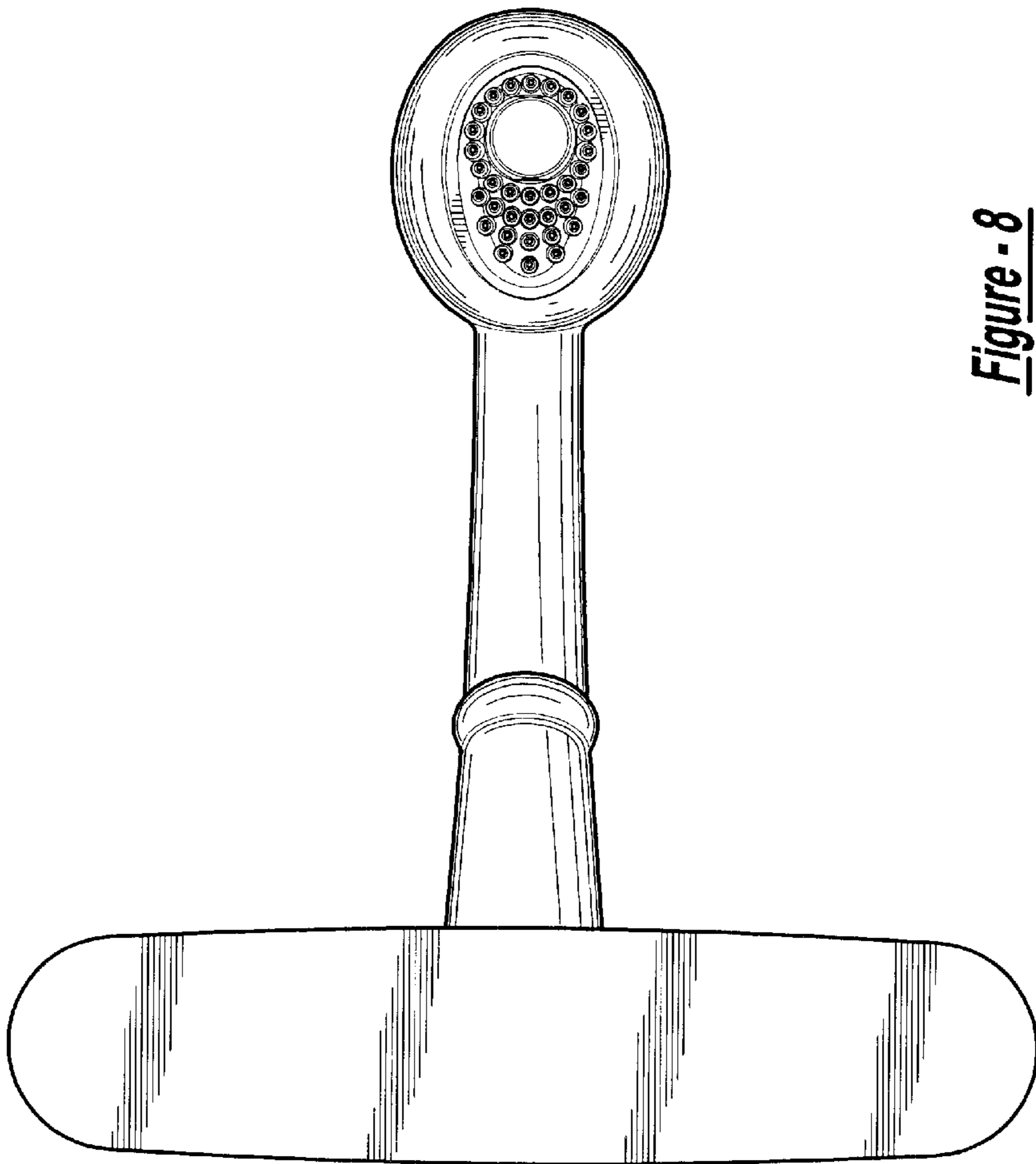


Figure - 8