



US00D467639S

(12) **United States Design Patent**
Singtoroj

(10) **Patent No.:** **US D467,639 S**

(45) **Date of Patent:** **** Dec. 24, 2002**

(54) **BODYSPRAY**

(75) **Inventor:** **Yos Singtoroj, Anaheim, CA (US)**

(73) **Assignee:** **Emhart LLC, Newark, DE (US)**

(**) **Term:** **14 Years**

(21) **Appl. No.:** **29/158,396**

(22) **Filed:** **Apr. 3, 2002**

(51) **LOC (7) Cl.** **23-01**

(52) **U.S. Cl.** **D23/229**

(58) **Field of Search** **D23/213, 229,**
D23/230; 239/282, 283

| | | | |
|-------------|-----------|---------------|---------------|
| D298,048 S | 10/1988 | Nelson | |
| D299,050 S | 12/1988 | Gonzalez | |
| D309,496 S | * 7/1990 | Ramsey et al. | D23/230 |
| D311,948 S | 11/1990 | Milol | |
| D325,769 S | * 4/1992 | Haug et al. | D23/213 |
| D361,120 S | 8/1995 | Fan | |
| D369,851 S | 5/1996 | Huang | |
| D370,961 S | 6/1996 | Soule | |
| D385,335 S | * 10/1997 | Caroen et al. | D23/230 |
| D387,413 S | 12/1997 | Andrus | |
| D415,246 S | 10/1999 | Marshall | |
| 6,076,747 A | 6/2000 | Ming-Yuan | |
| D443,021 S | 5/2001 | Maddox et al. | |

* cited by examiner

Primary Examiner—Robin V. Taylor

(74) *Attorney, Agent, or Firm*—Richard J. Veltman; John D. Del Ponti

(56) **References Cited**

U.S. PATENT DOCUMENTS

| | | | |
|-------------|----------|-----------------|---------------|
| D77,442 S | 1/1929 | Smith | |
| D87,961 S | 10/1932 | Ferguson | |
| D95,823 S | 6/1935 | Hathaway et al. | |
| D98,006 S | 12/1935 | Landgarten | |
| 2,085,854 A | 7/1937 | Hathaway et al. | |
| D113,042 S | 1/1939 | Landgarten | |
| D134,562 S | 12/1942 | Murphy | |
| D143,737 S | 2/1946 | Klein | |
| D153,490 S | * 4/1949 | Beebee | D23/213 |
| D164,822 S | 10/1951 | Russell | |
| D177,790 S | 5/1956 | Bucknell | |
| 2,888,210 A | 5/1959 | McLean | |
| D192,906 S | 5/1962 | Gross | |
| D208,526 S | 9/1967 | Delamater | |
| D234,197 S | 1/1975 | Lieberman | |
| D238,671 S | 2/1976 | Rosenberger | |
| D251,983 S | * 5/1979 | Dunkin | D23/229 |
| D253,245 S | 10/1979 | Allenbaugh, Jr. | |
| D263,865 S | * 4/1982 | Yamin | D23/229 |
| D268,205 S | 3/1983 | Smith | |

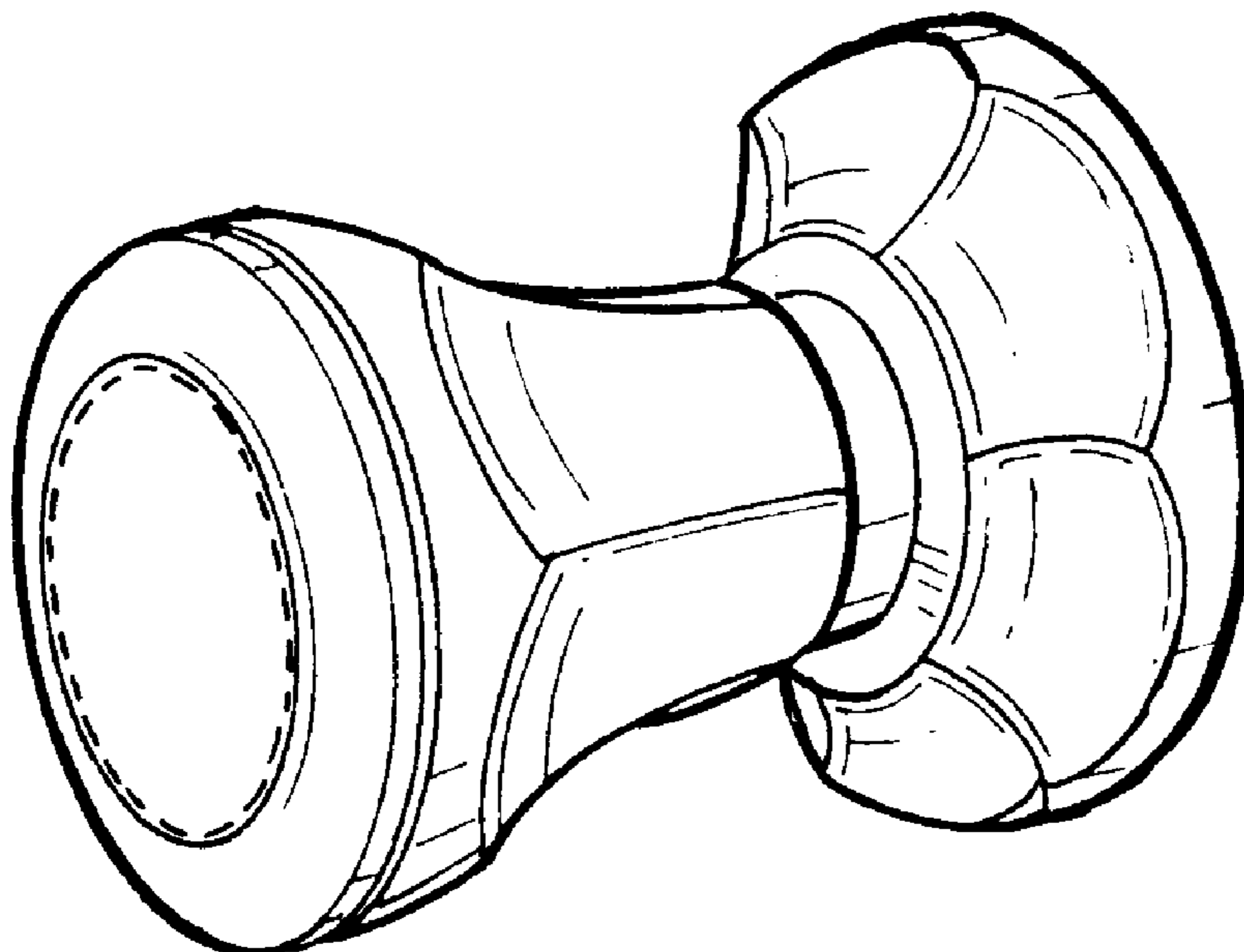
(57) **CLAIM**

The ornamental design for a bodyspray, as shown.

DESCRIPTION

FIG. 1 is a perspective view of the new design for a bodyspray;
 FIG. 2 is a front elevational view of the new design for a bodyspray;
 FIG. 3 is a rear elevational view of the new design for a bodyspray;
 FIG. 4 is a top plan view of the new design for a bodyspray;
 FIG. 5 is a bottom plan view of the new design for a bodyspray;
 FIG. 6 is a right side elevational view of the new design for a bodyspray; and,
 FIG. 7 is a left side elevational view of the new design for a bodyspray.

1 Claim, 1 Drawing Sheet



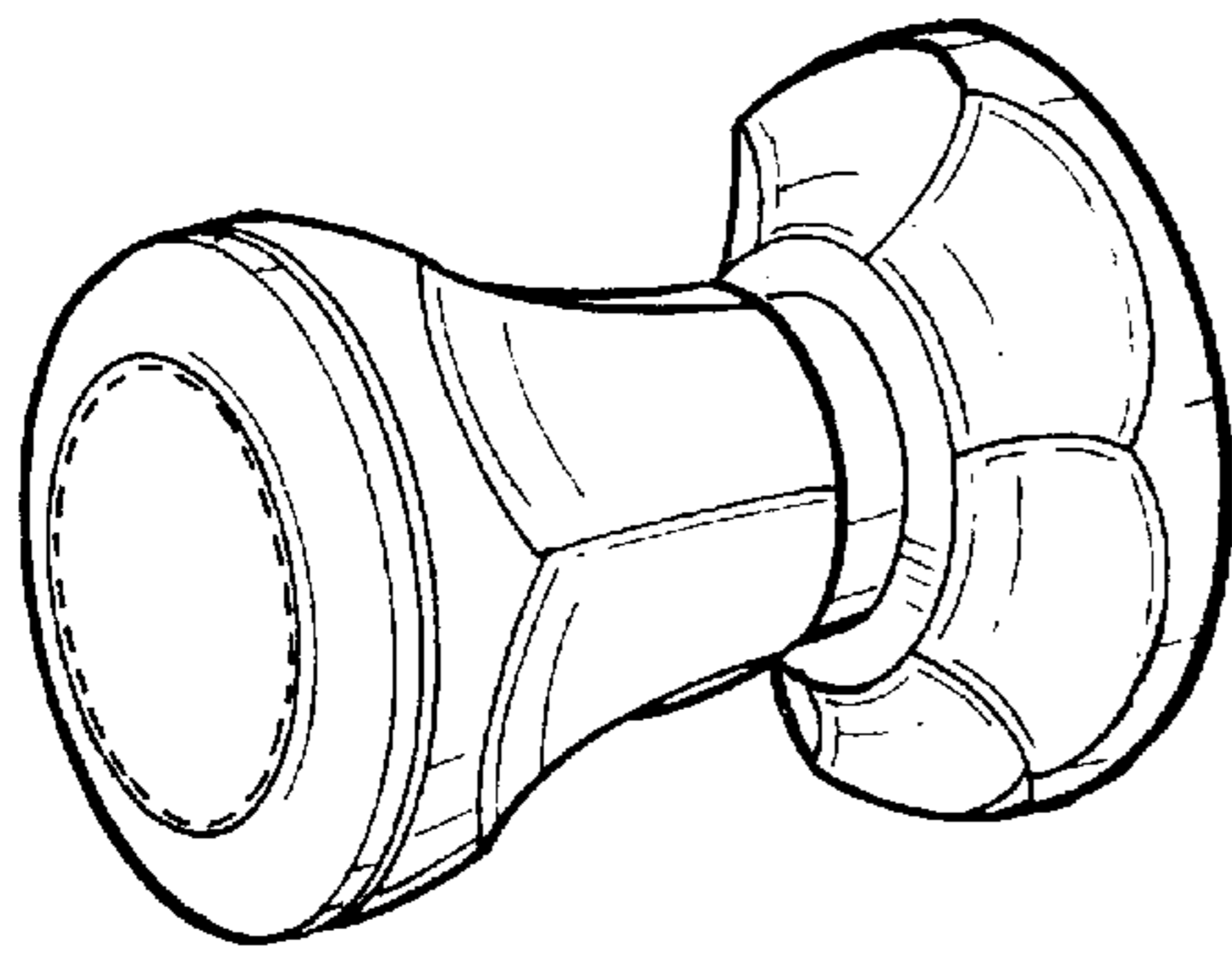


FIG. 1

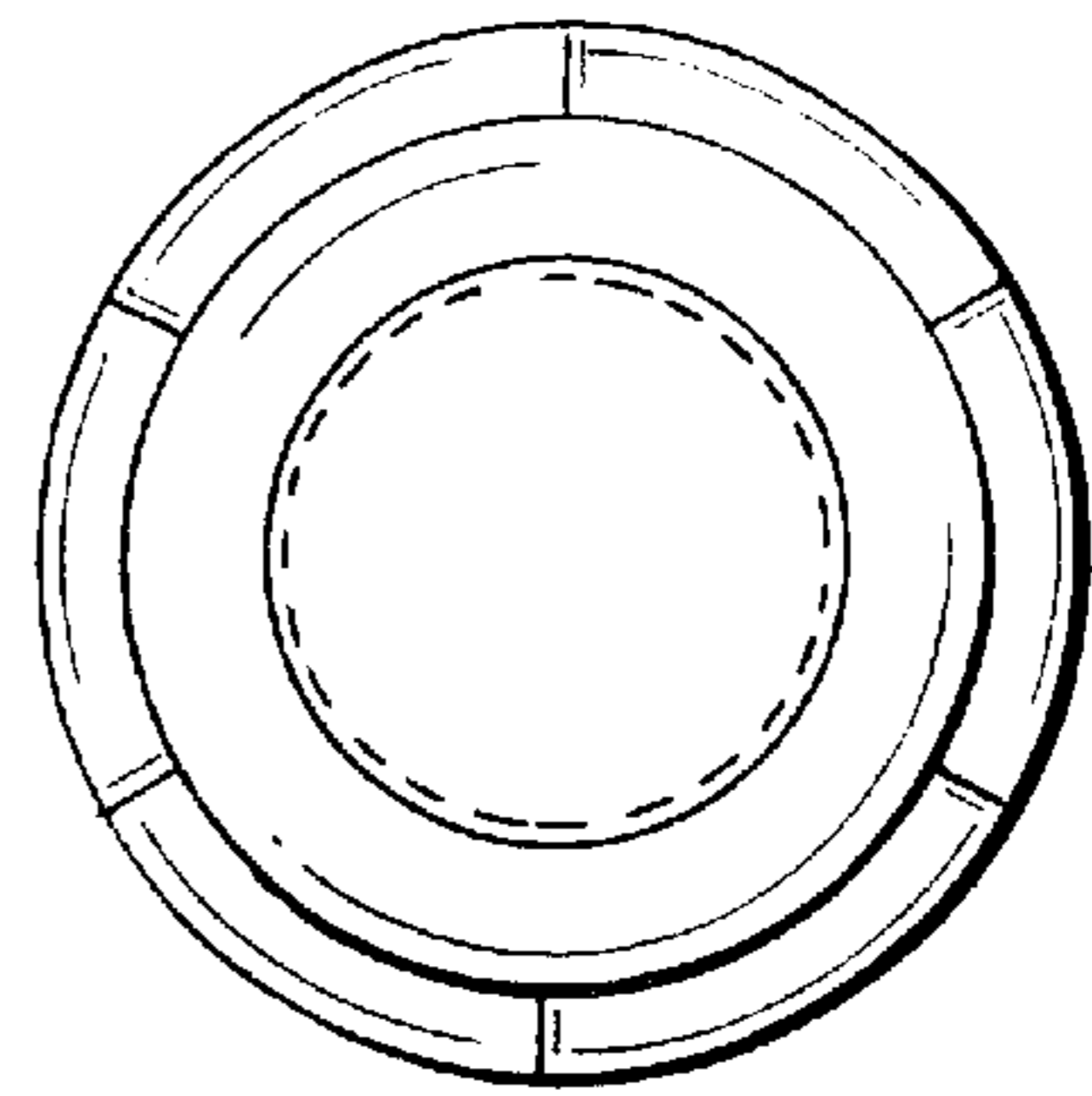


FIG. 2

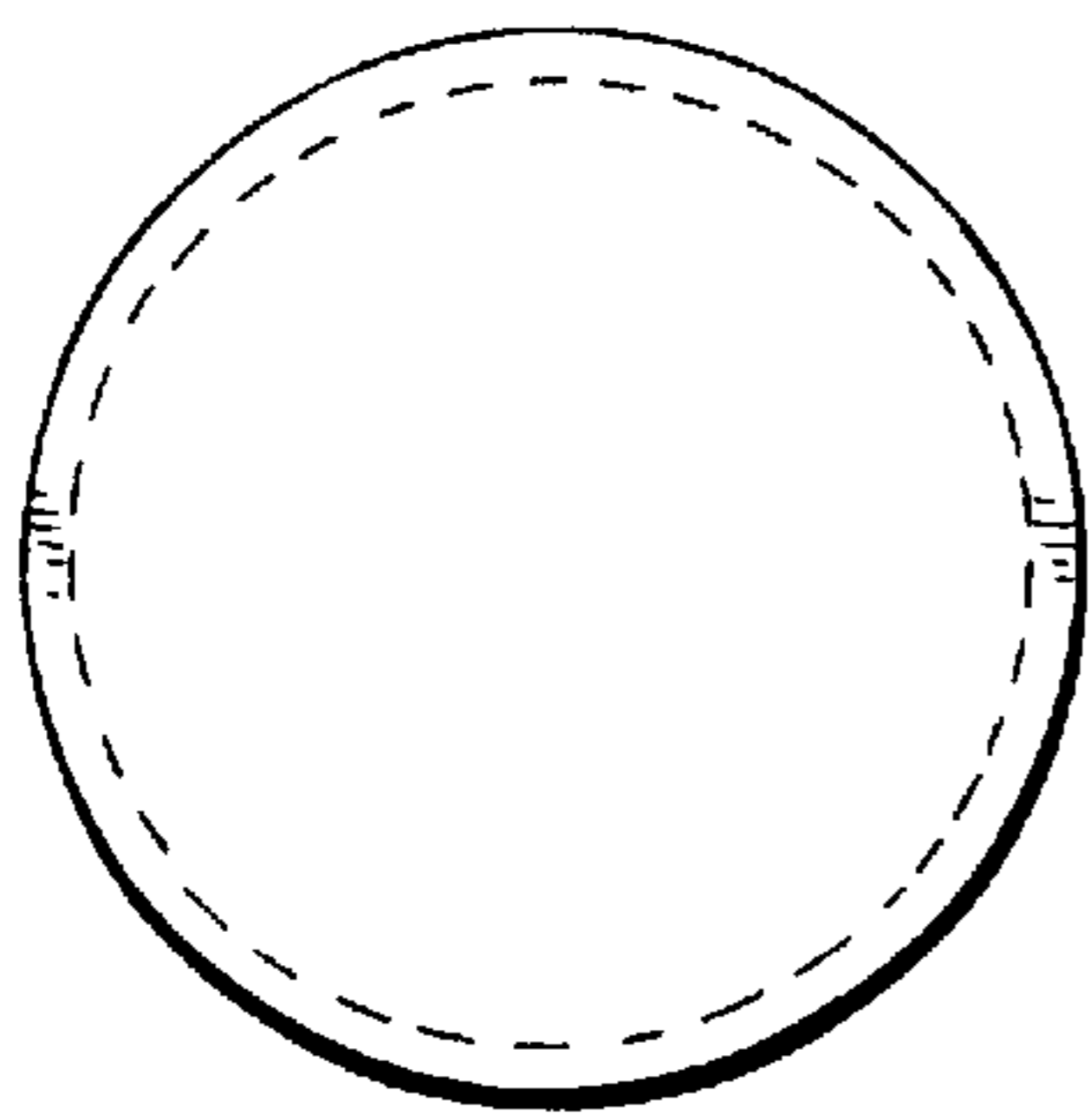


FIG. 3

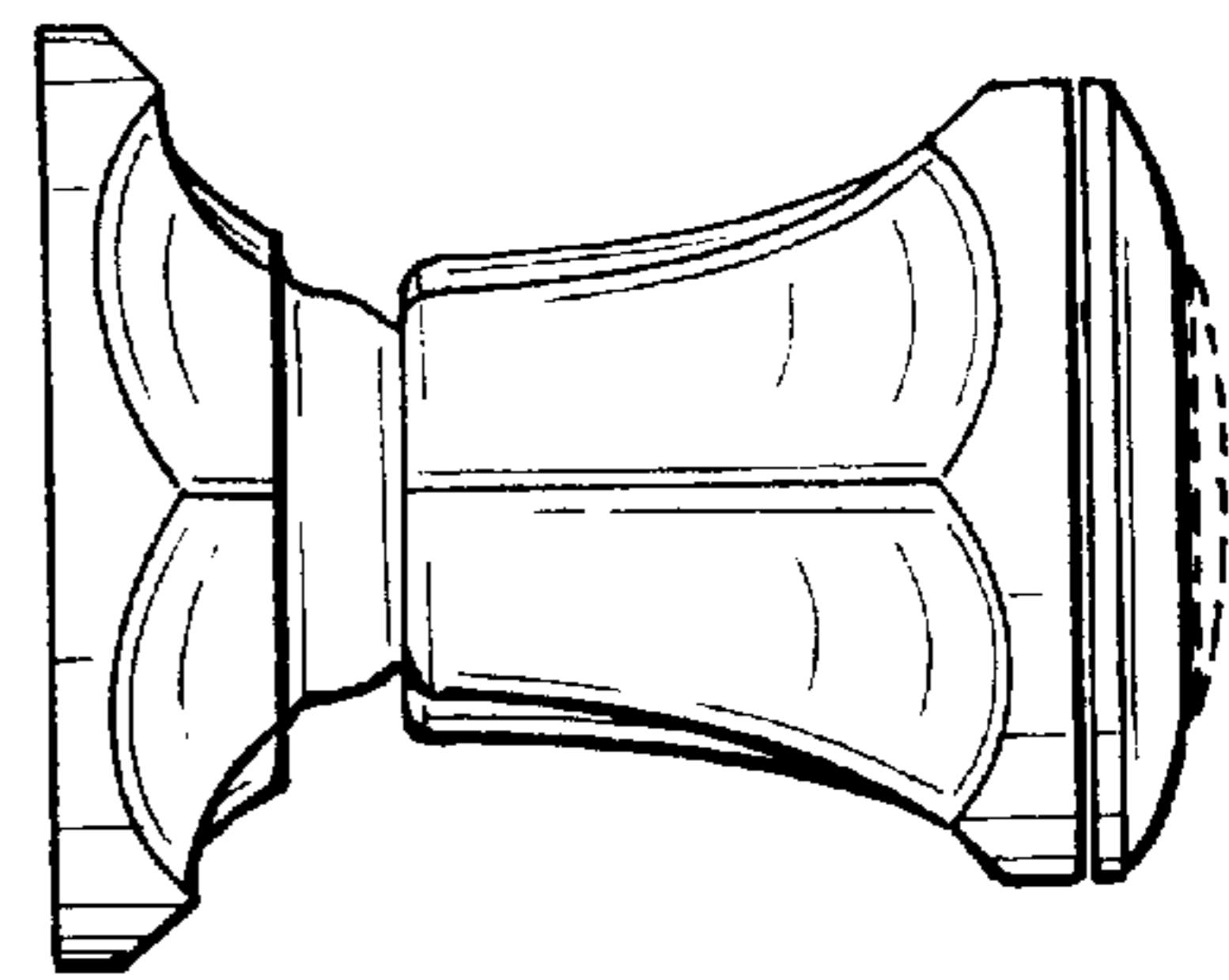


FIG. 4

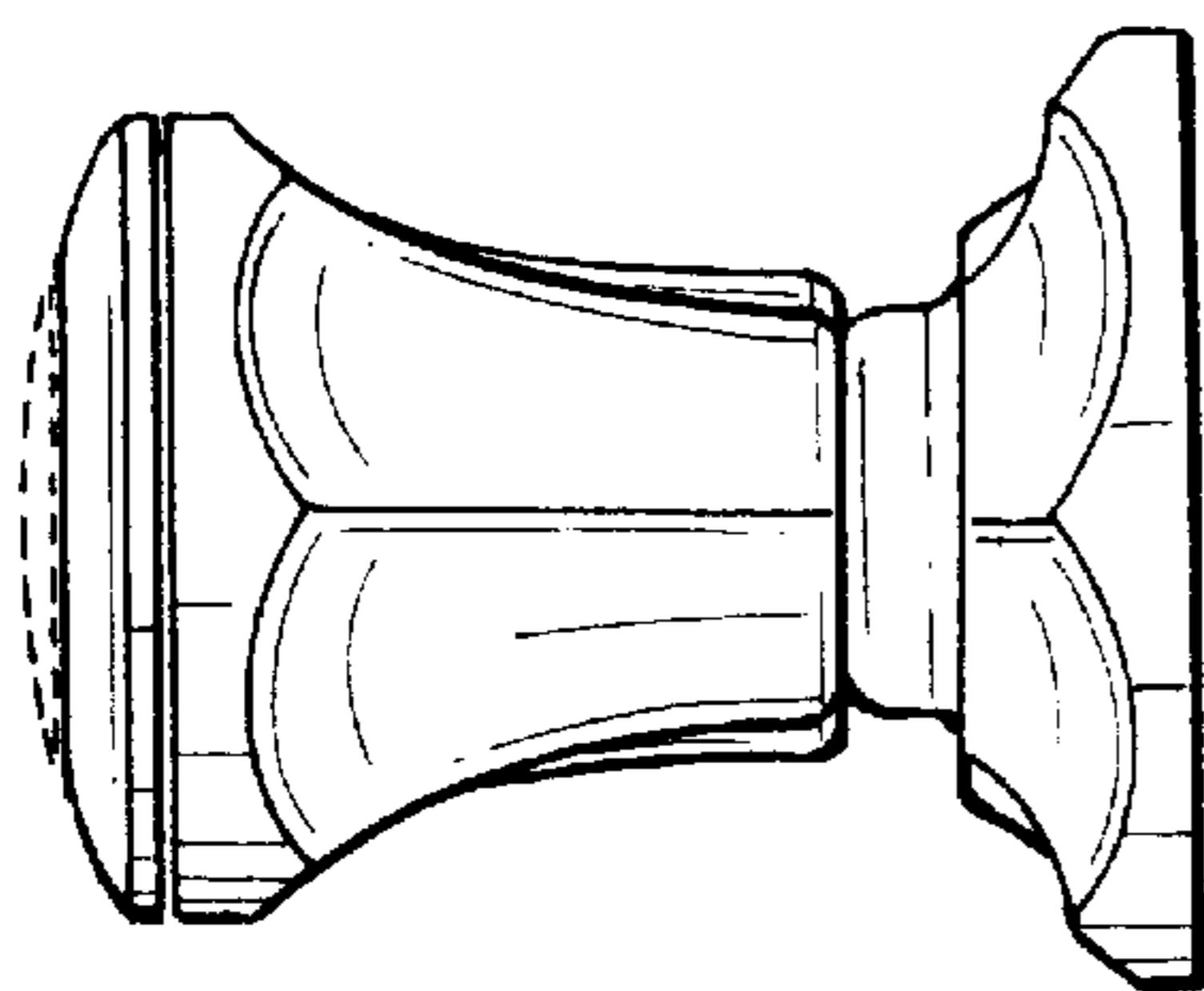


FIG. 5

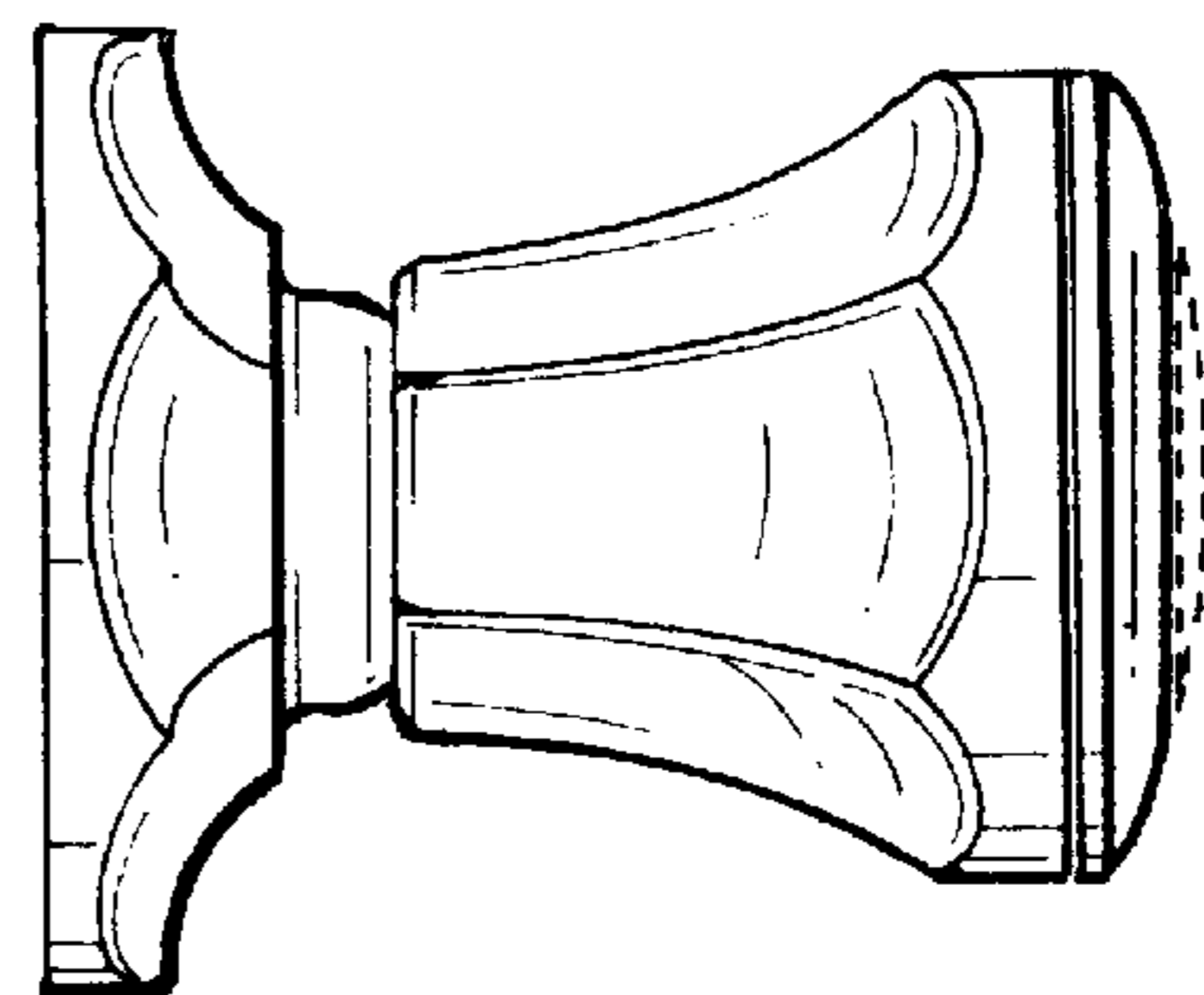


FIG. 6

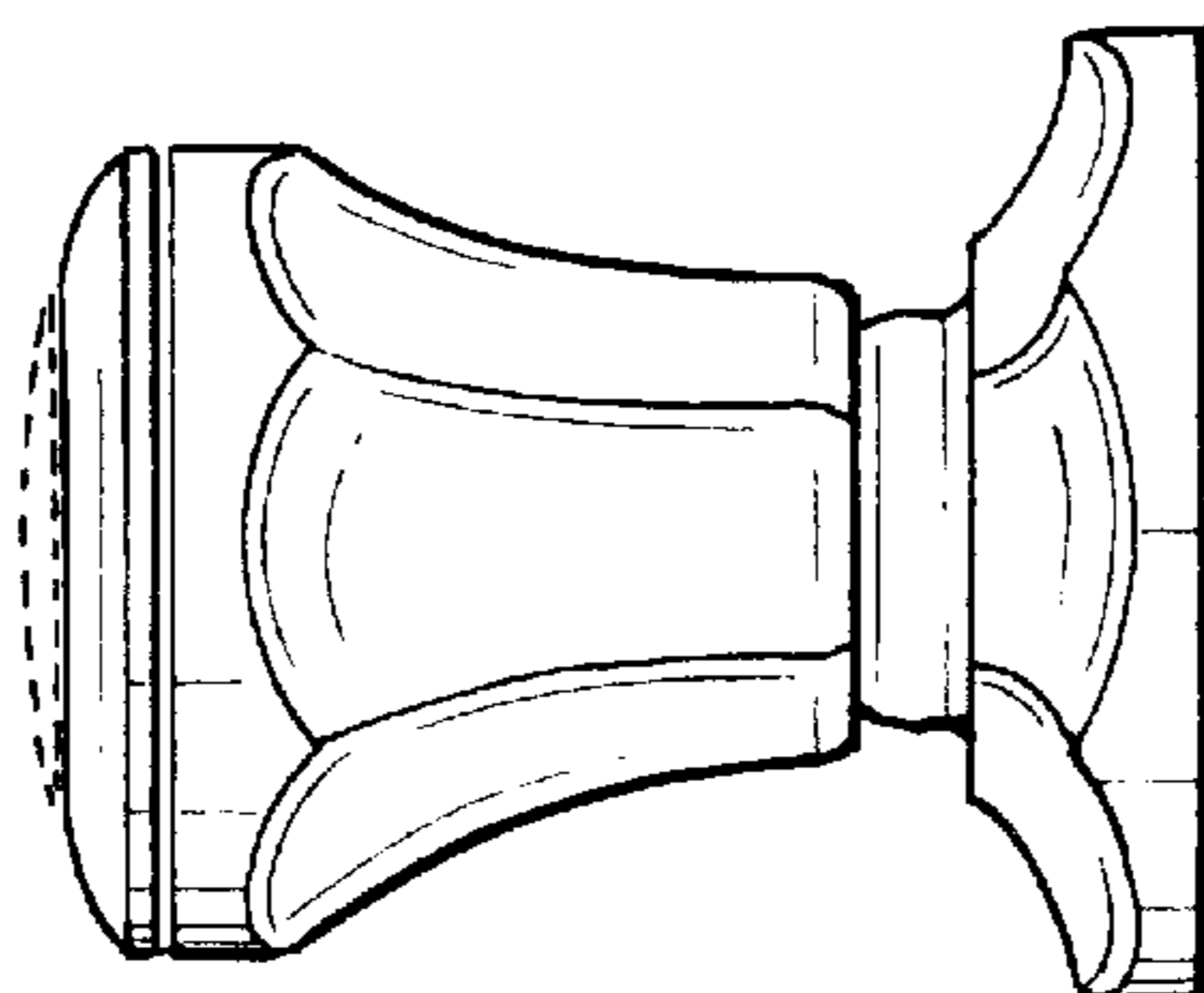


FIG. 7