



US00D467638S

(12) **United States Design Patent**
Lord

(10) **Patent No.:** **US D467,638 S**

(45) **Date of Patent:** **** *Dec. 24, 2002**

(54) **SHOWERHEAD**

(75) **Inventor:** **Judd A. Lord, Carmel, IN (US)**

(73) **Assignee:** **Masco Corporation of Indiana, Indianapolis, IN (US)**

(*) **Notice:** This patent is subject to a terminal disclaimer.

(**) **Term:** **14 Years**

(21) **Appl. No.:** **29/136,770**

(22) **Filed:** **Feb. 7, 2001**

(51) **LOC (7) Cl.** **23-01**

(52) **U.S. Cl.** **D23/229**

(58) **Field of Search** D23/213, 223,
D23/229, 228-230; 239/449, 394, 462,
381; 4/615

(56) **References Cited**

U.S. PATENT DOCUMENTS

1,295,250	A	*	2/1919	Yeiser	239/381
D143,738	S	*	2/1946	Klein	D23/229
D145,085	S	*	6/1946	Isenberg	D23/229
D408,499	S		4/1999	Marshall		
D408,891	S	*	4/1999	Marshall	D23/229
D408,892	S		4/1999	Marshall		
D412,737	S		8/1999	Marshall		
D413,158	S		8/1999	Marshall		
D415,246	S		10/1999	Marshall		

D430,267	S	*	8/2000	Milrud et al.	D23/229
D447,214	S		8/2001	Taylor		
D454,621	S		3/2002	Lord		
D454,938	S		3/2002	Lord		

OTHER PUBLICATIONS

Hansgrohe catalog 1999; showerhead; design digest.*

* cited by examiner

Primary Examiner—Robin V. Taylor

(74) *Attorney, Agent, or Firm*—Myron B. Kapustij; Lloyd D. Doigan

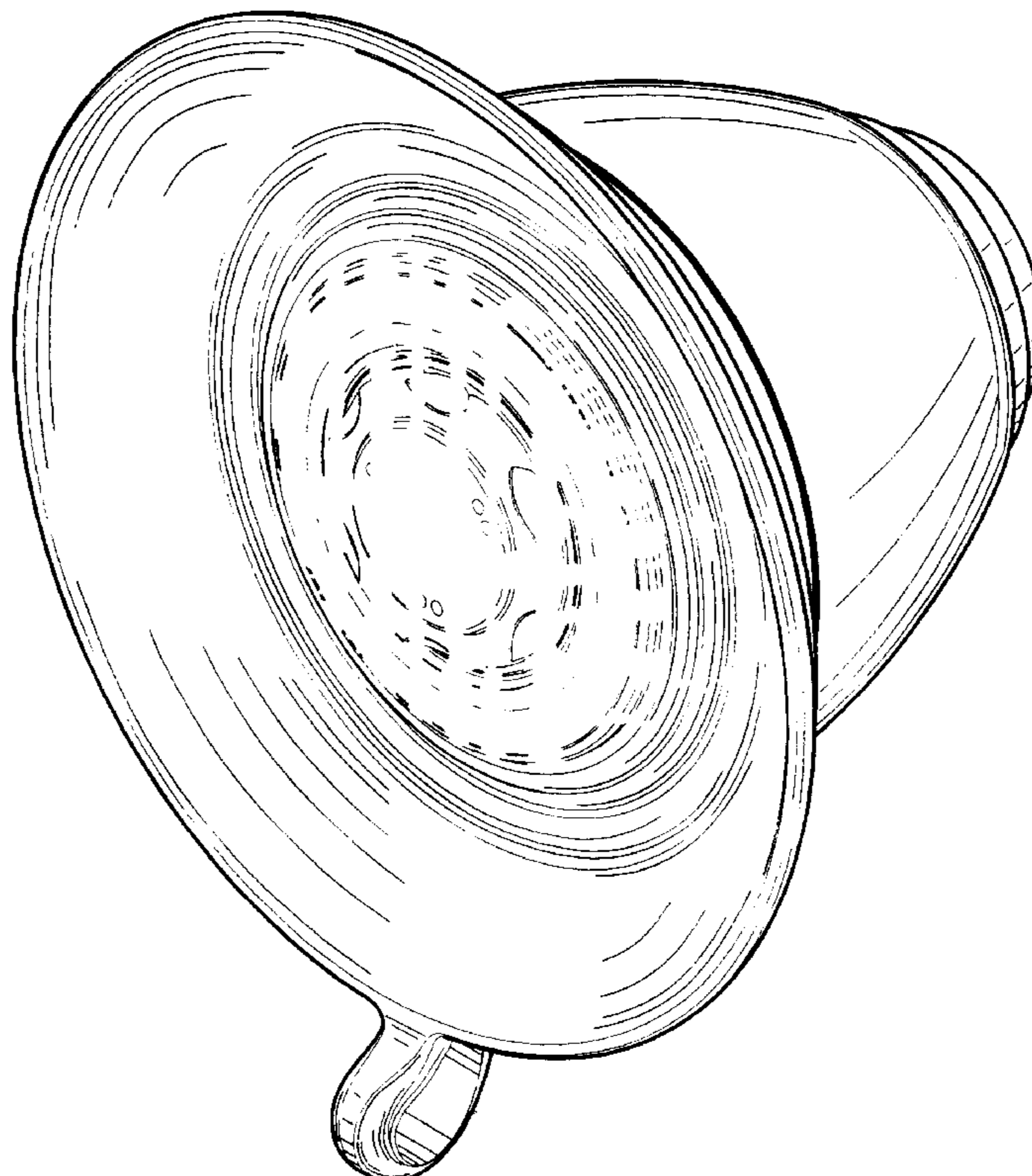
(57) **CLAIM**

The ornamental design for a showerhead, as shown and described.

DESCRIPTION

FIG. 1 is a front perspective view of the showerhead showing my new design;
 FIG. 2 is a rear perspective view thereof;
 FIG. 3 is a front elevational view thereof;
 FIG. 4 is a top plan view thereof;
 FIG. 5 is a bottom plan view thereof;
 FIG. 6 is a left side elevational view thereof, the right side being a mirror image; and,
 FIG. 7 is a rear elevational view thereof.
 The broken line showing of the face plate in FIGS. 1 and 3 is for purposes of illustration only and forms no part of the claimed design.

1 Claim, 6 Drawing Sheets



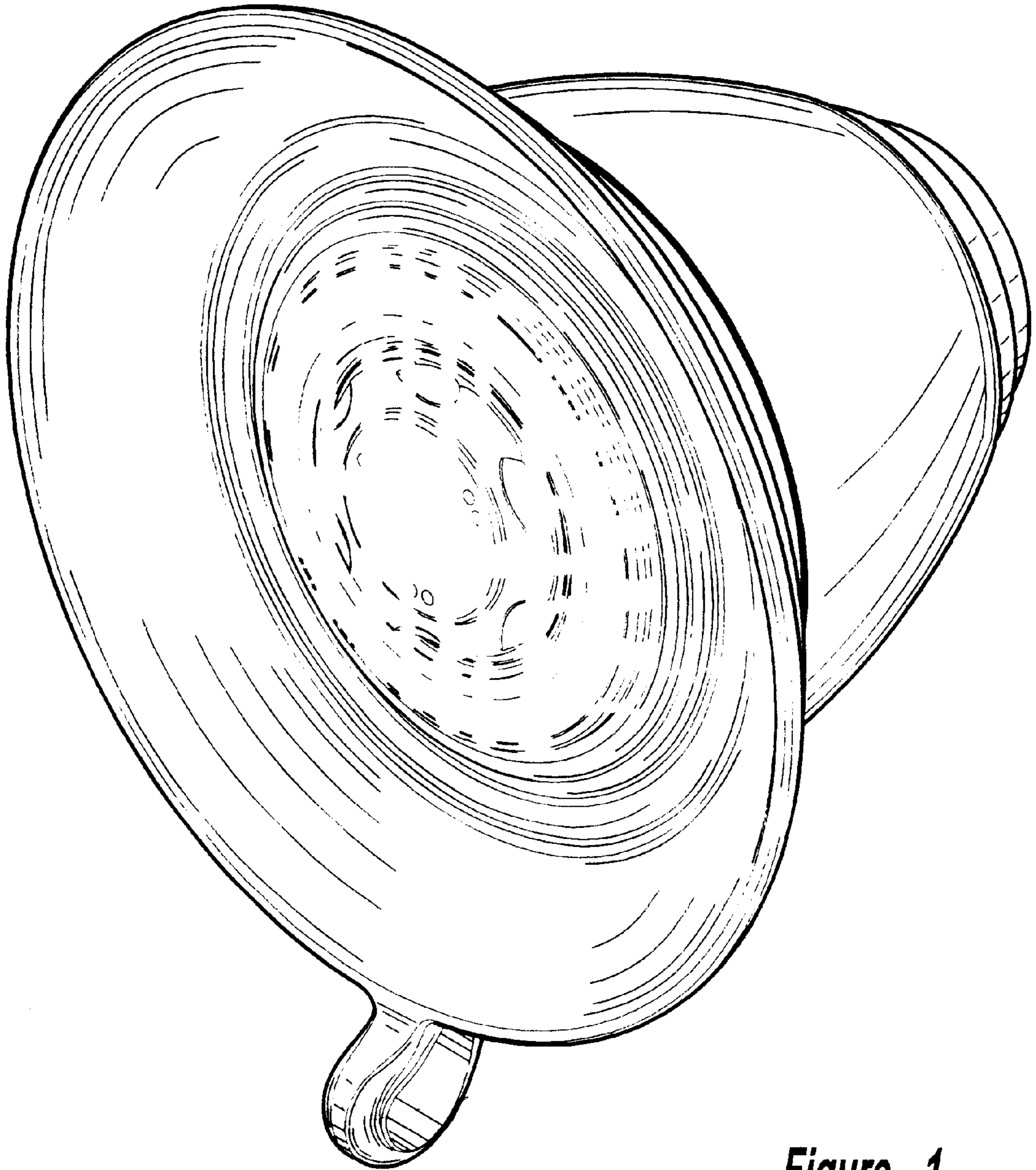


Figure - 1

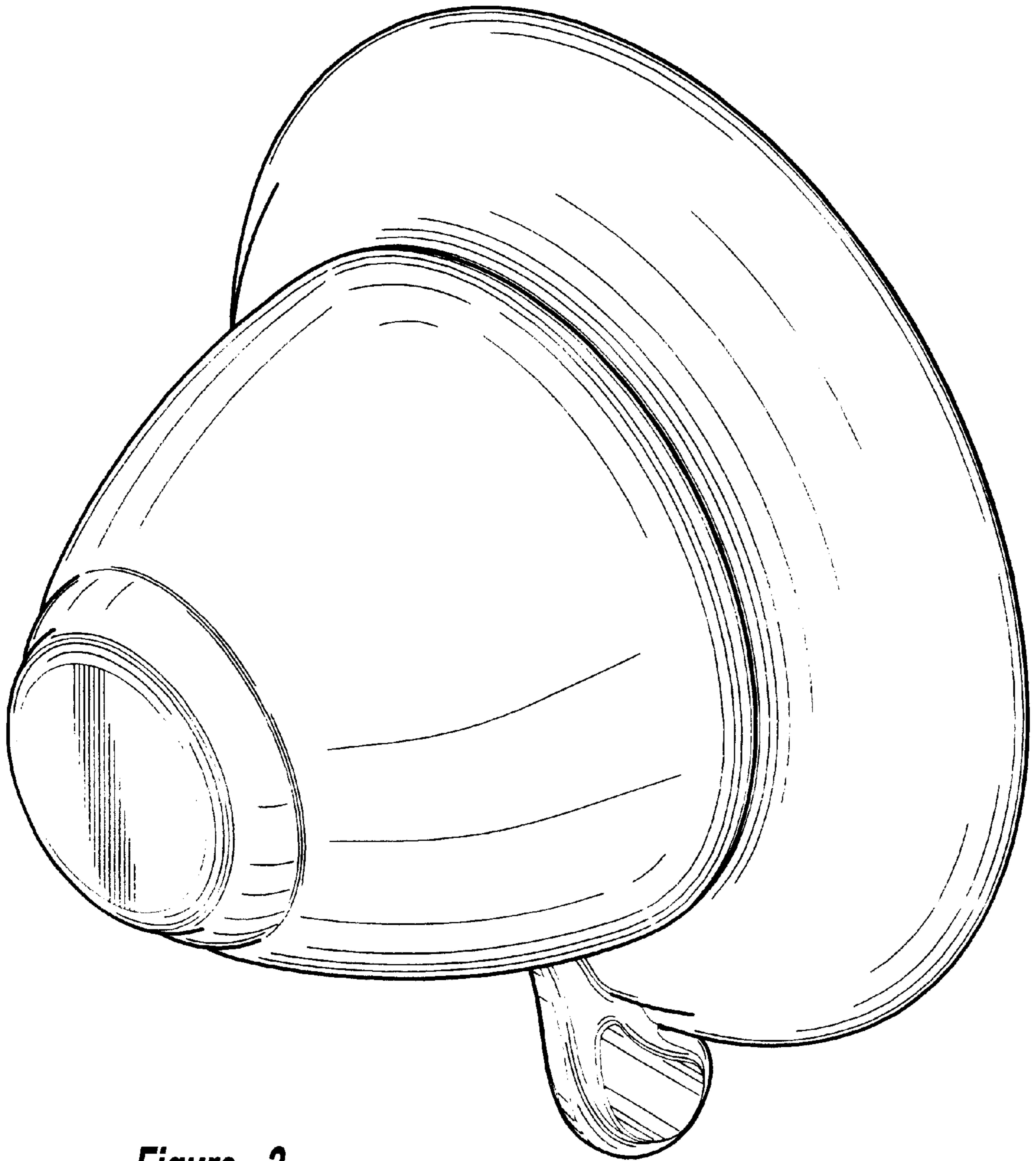


Figure - 2

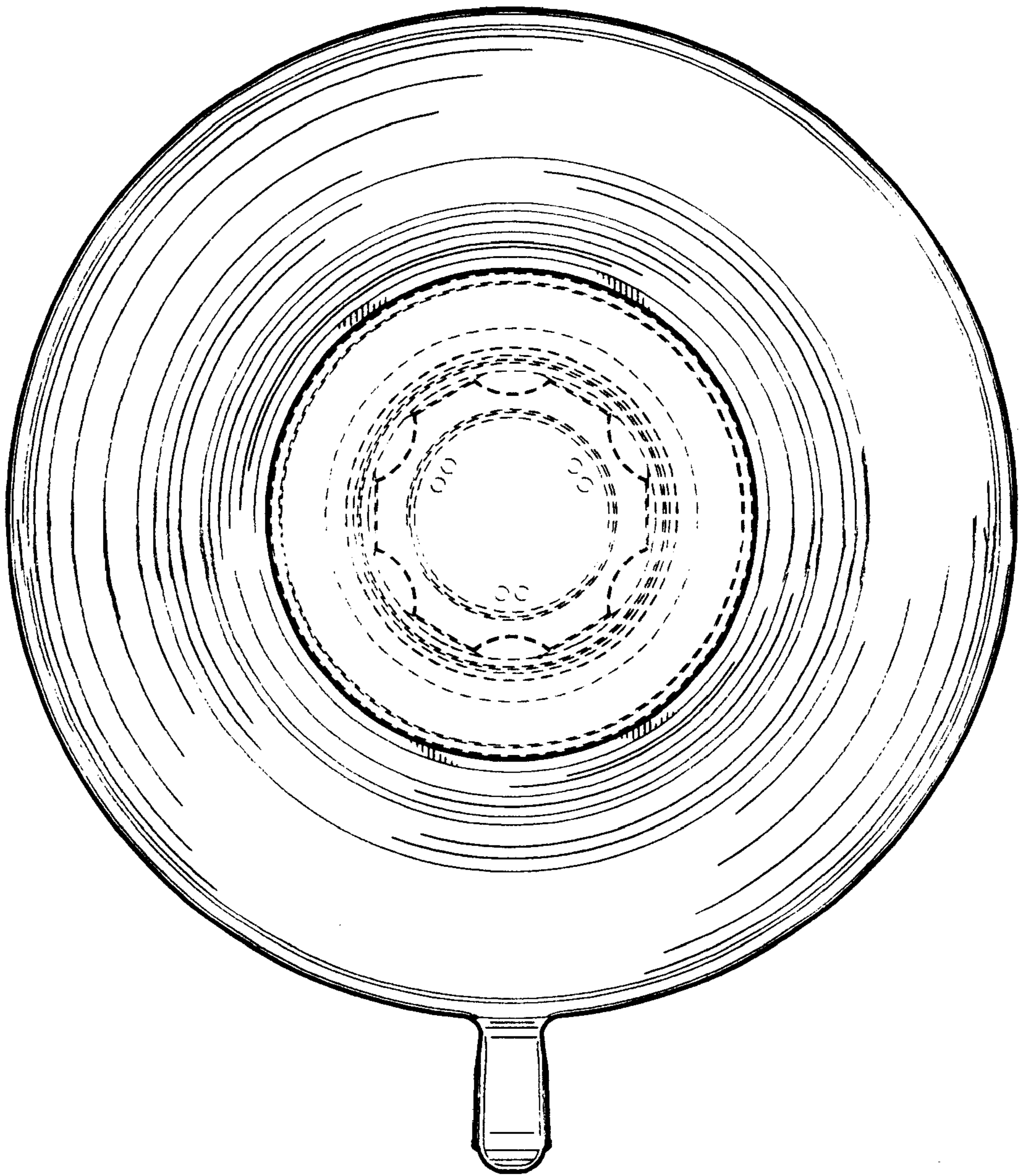


Figure - 3

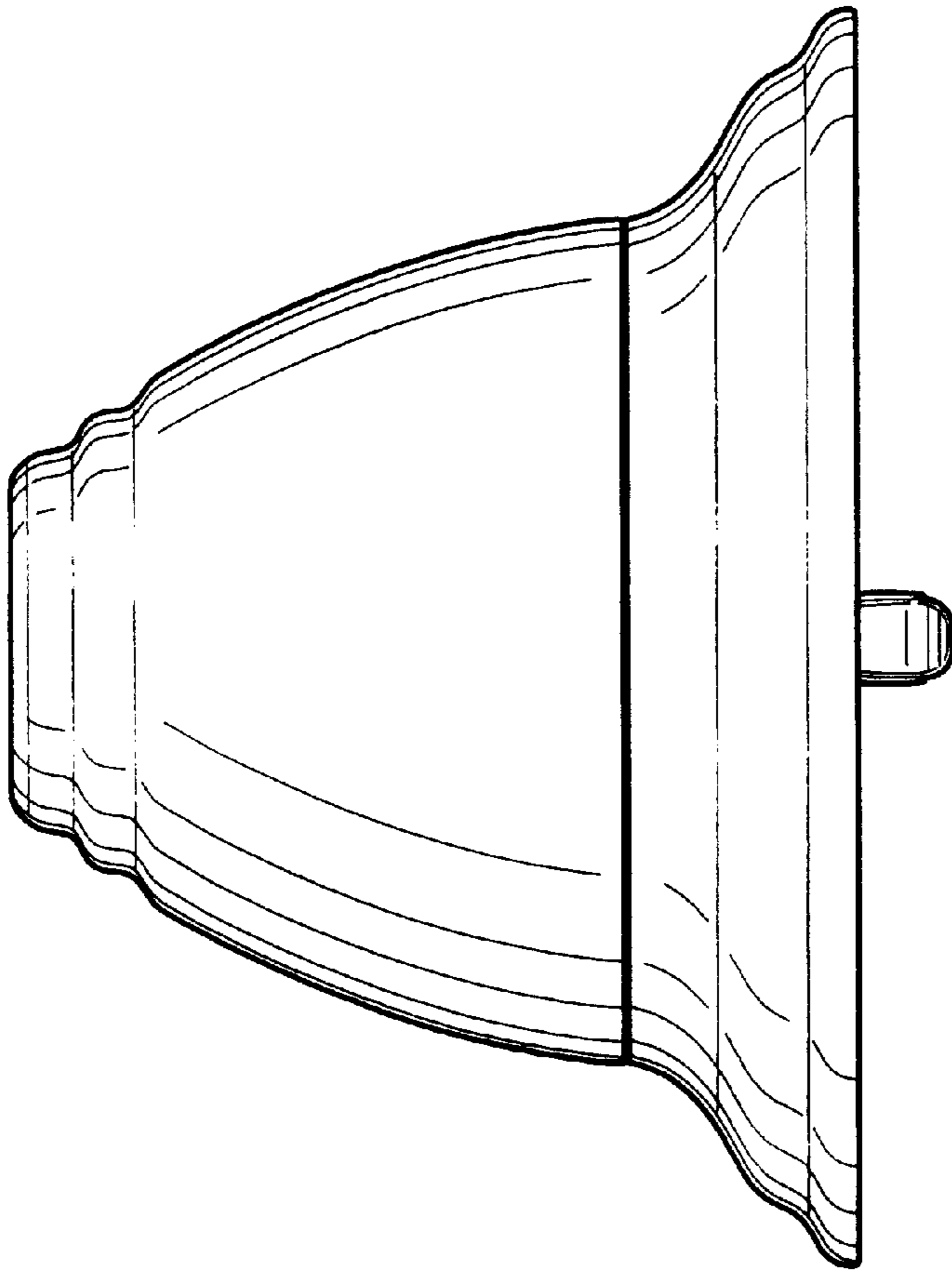


Figure - 4

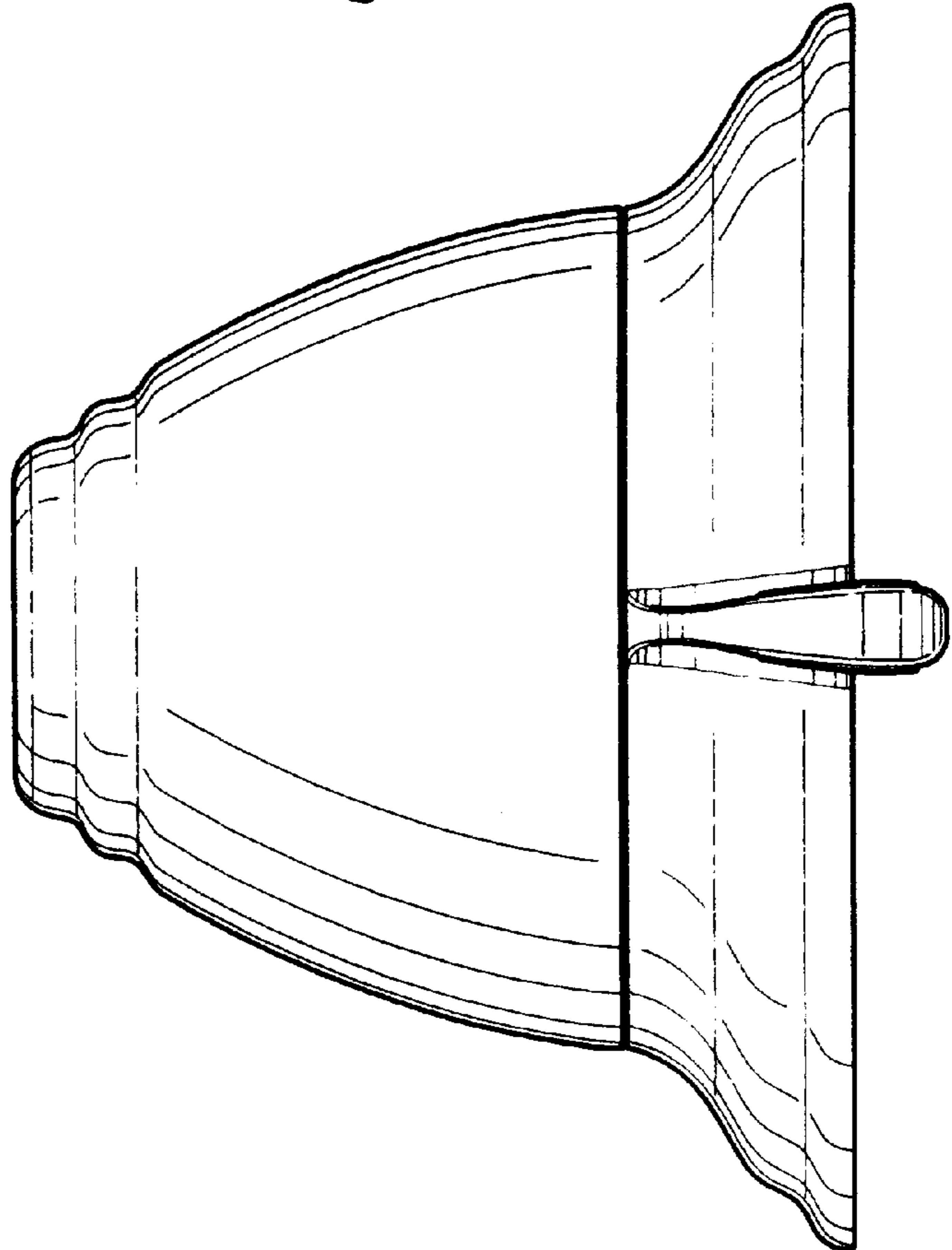


Figure - 5

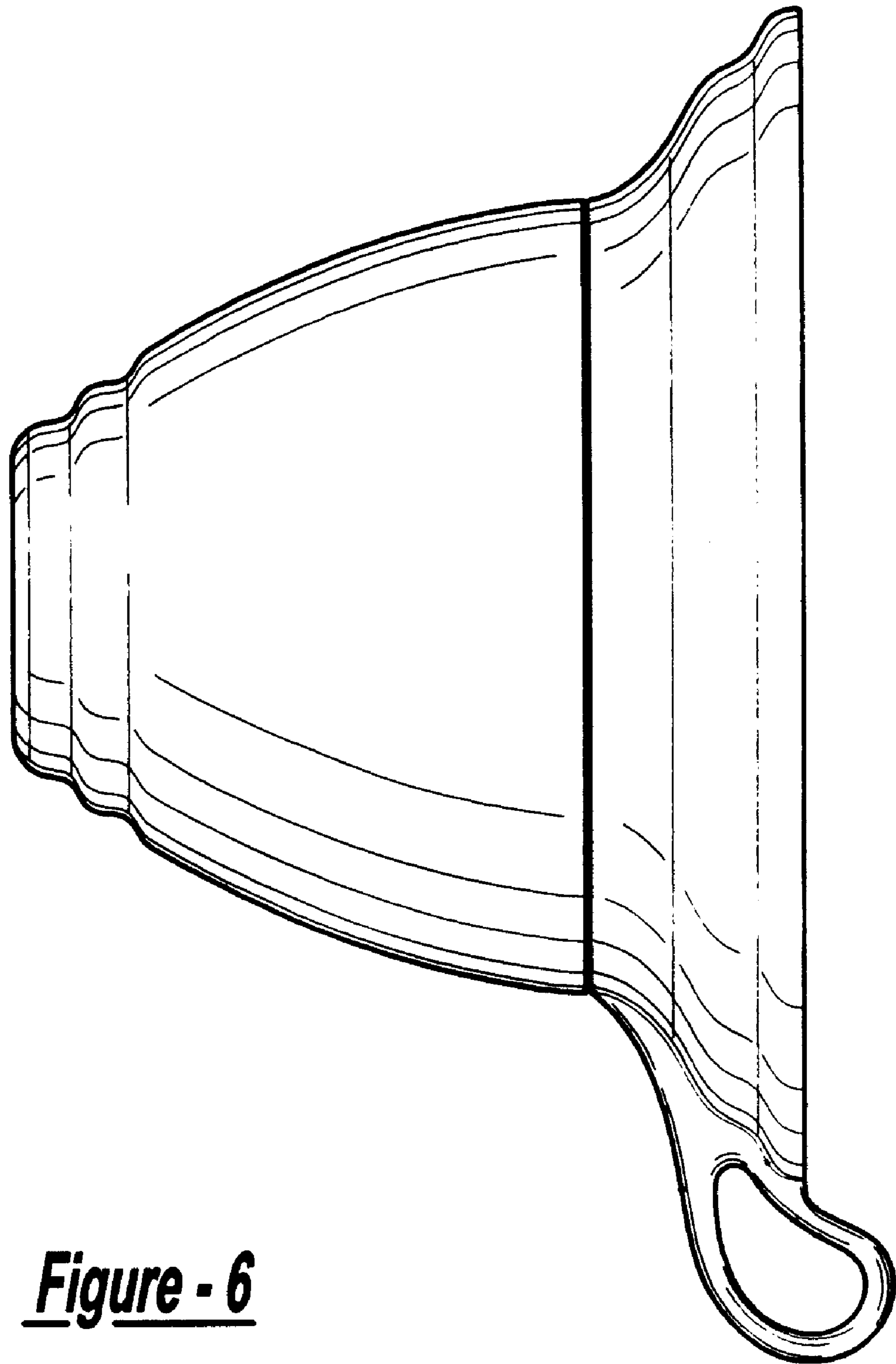


Figure - 6

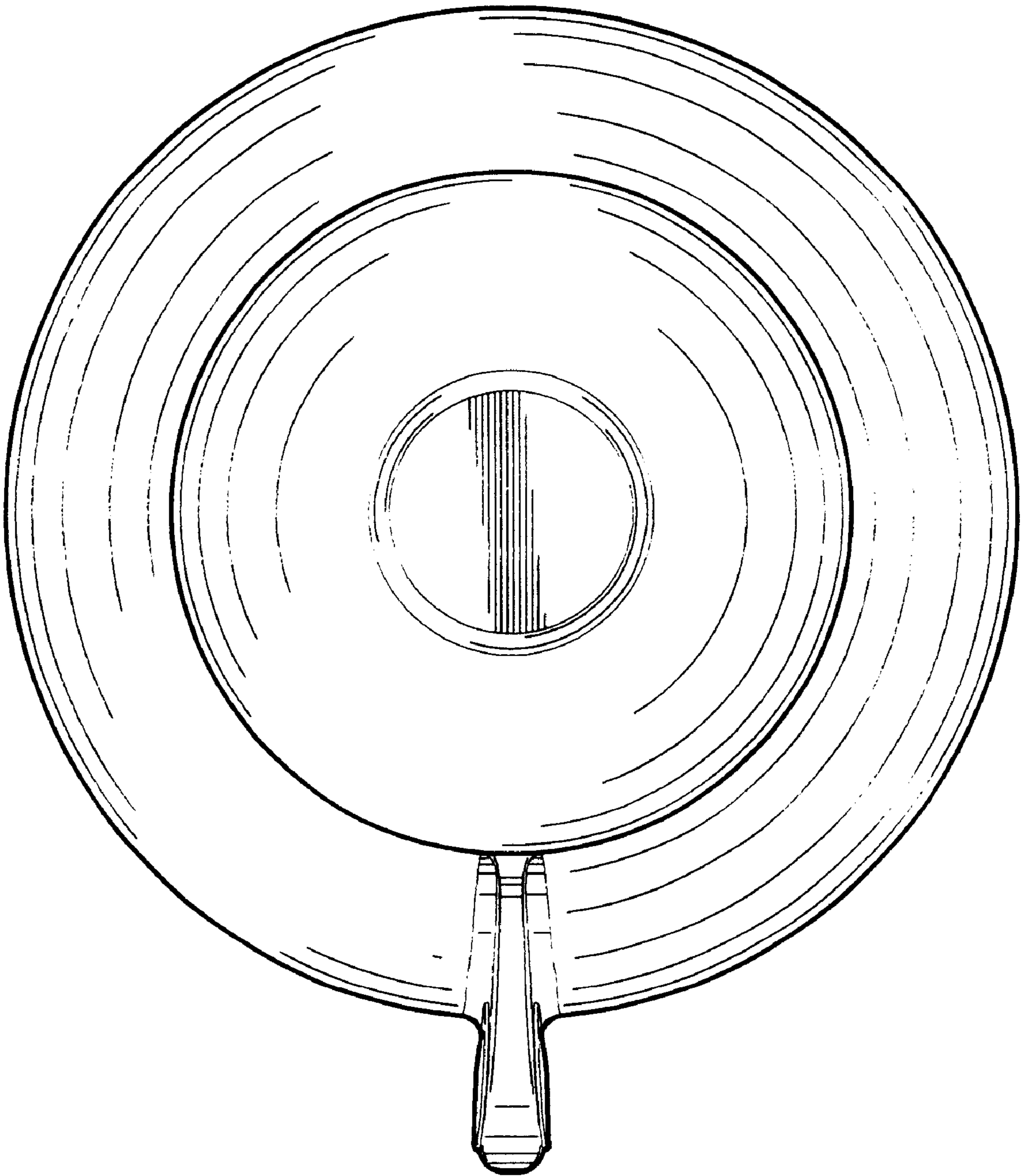


Figure - 7