



US00D467636S

(12) **United States Design Patent**
Boesch

(10) **Patent No.:** **US D467,636 S**

(45) **Date of Patent:** **** Dec. 24, 2002**

(54) **SHOWER HEAD**

(75) Inventor: **Paul Boesch**, Ebnat-Kappel (CH)

(73) Assignee: **Weidman Plastics Technology AG**,
Rapperswil (CH)

(**) Term: **14 Years**

(21) Appl. No.: **29/156,847**

(22) Filed: **Mar. 11, 2002**

(30) **Foreign Application Priority Data**

Sep. 11, 2001 (XH) DM/057 479

(51) **LOC (7) Cl.** **23-01**

(52) **U.S. Cl.** **D23/223**

(58) **Field of Search** D23/213, 223,
D23/226; 239/530, 525, 526

(56) **References Cited**

U.S. PATENT DOCUMENTS

D348,505 S * 7/1994 Bosio D23/223

D416,979 S * 11/1999 Bosio D23/223

D432,623 S * 10/2000 Sawhney et al. D23/223

D446,842 S * 8/2001 Green et al. D23/223

* cited by examiner

Primary Examiner—Robin V. Taylor

(74) *Attorney, Agent, or Firm*—Sughrue Mion, PLLC

(57) **CLAIM**

The ornamental design for a shower head, as shown.

DESCRIPTION

FIG. 1 is a perspective view of the top, one side and one end of a shower head showing my new design;

FIG. 2 is a top plan view thereof;

FIG. 3 is a bottom plan view thereof;

FIG. 4 is a side elevational view of the opposite side thereof;

FIG. 5 is an end elevational view of said one end; and,

FIG. 6 is an end elevational view of the opposite end thereof.

1 Claim, 6 Drawing Sheets

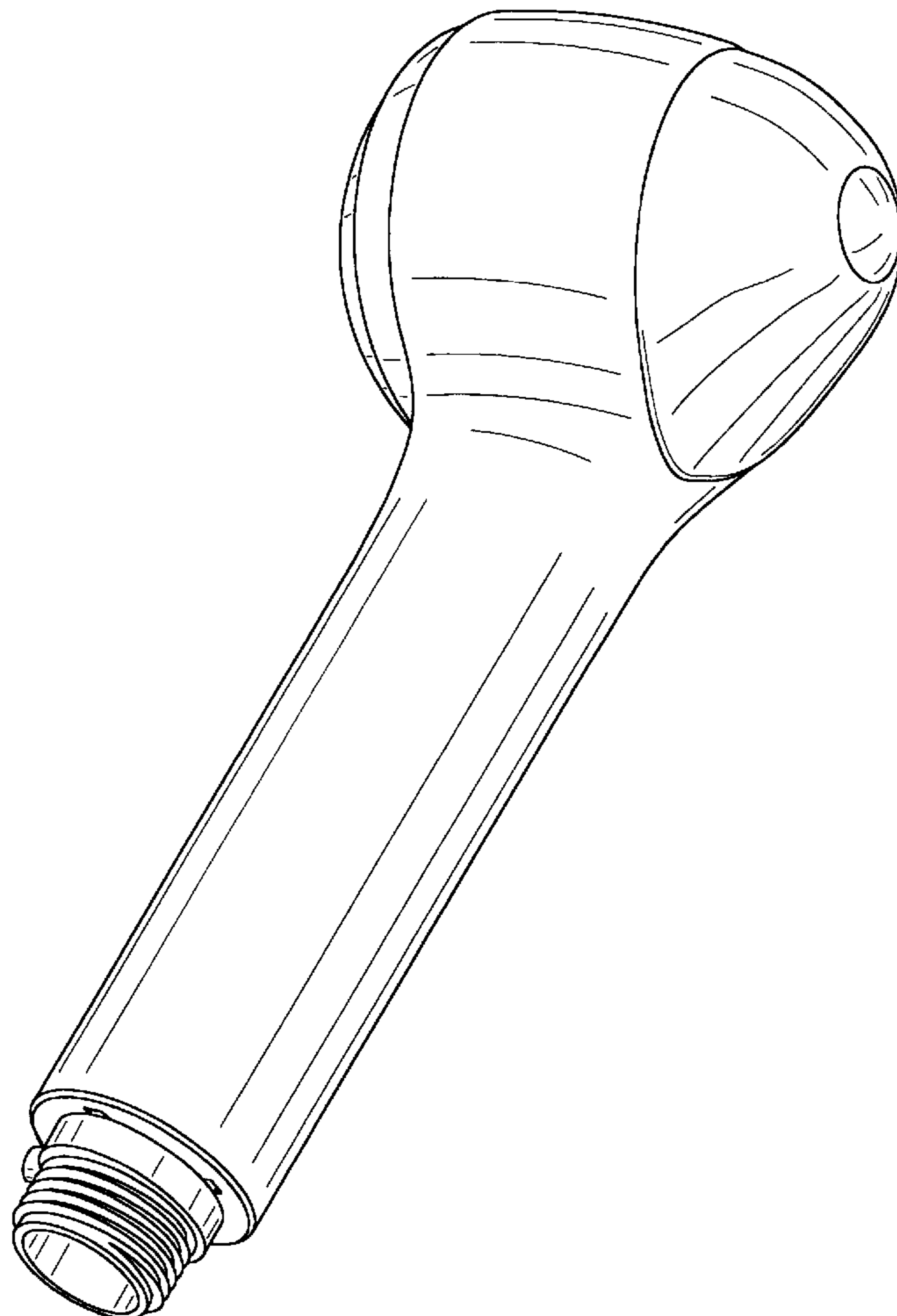


FIG. 1

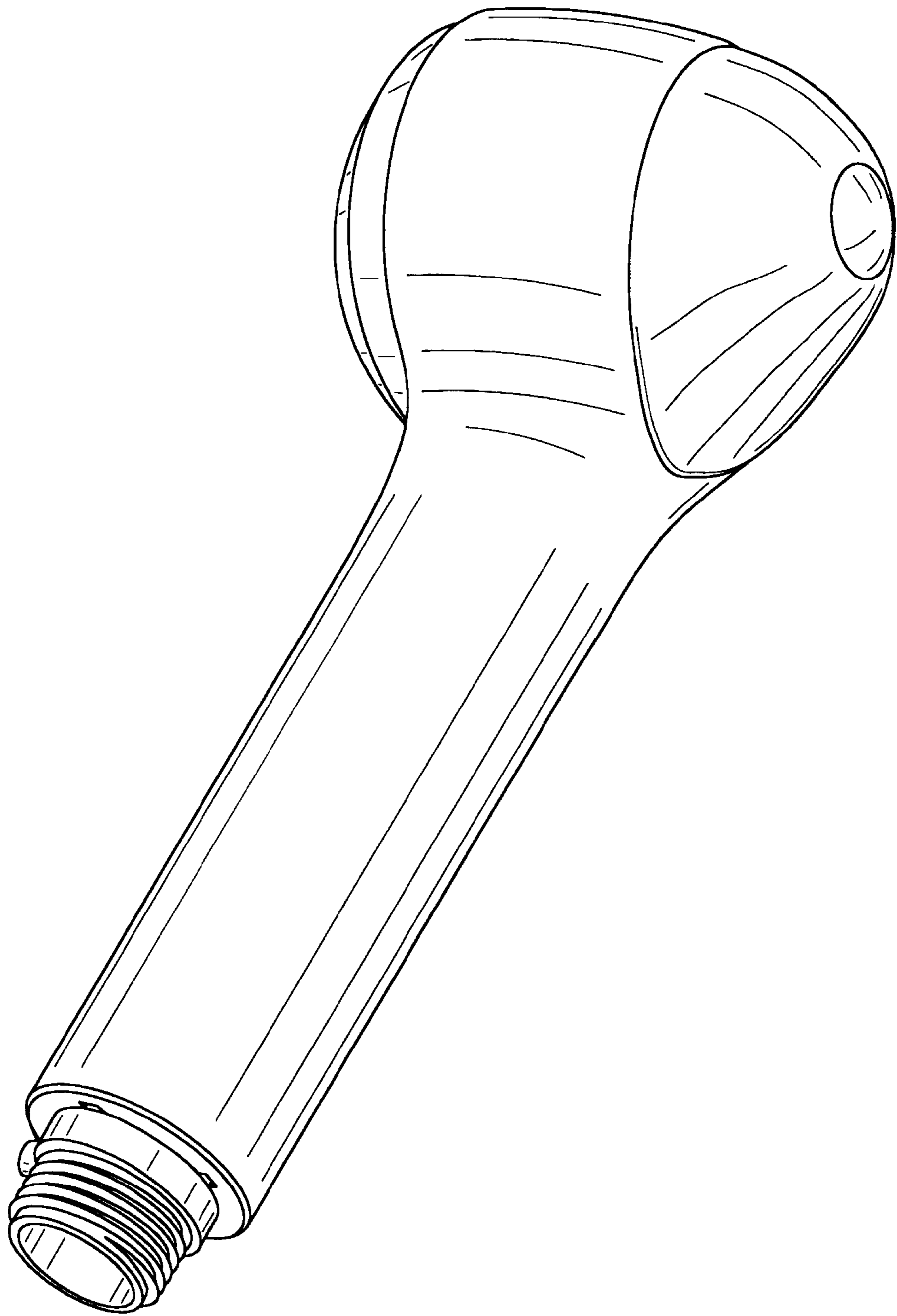


FIG. 2

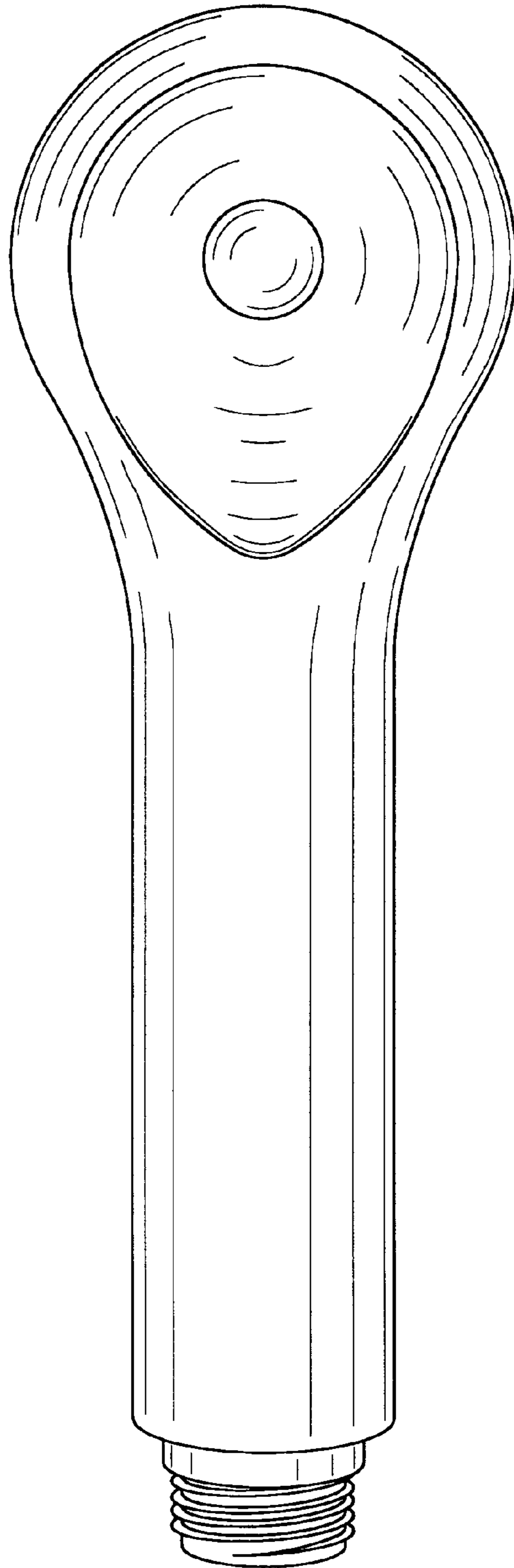


FIG. 3

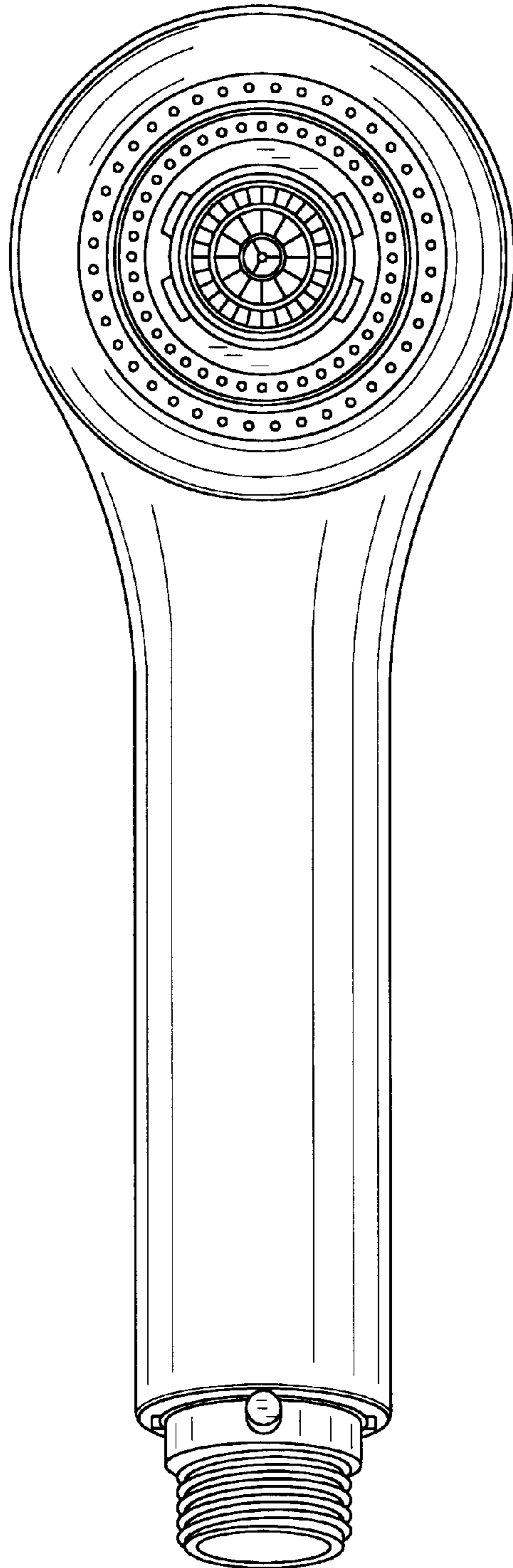


FIG. 4

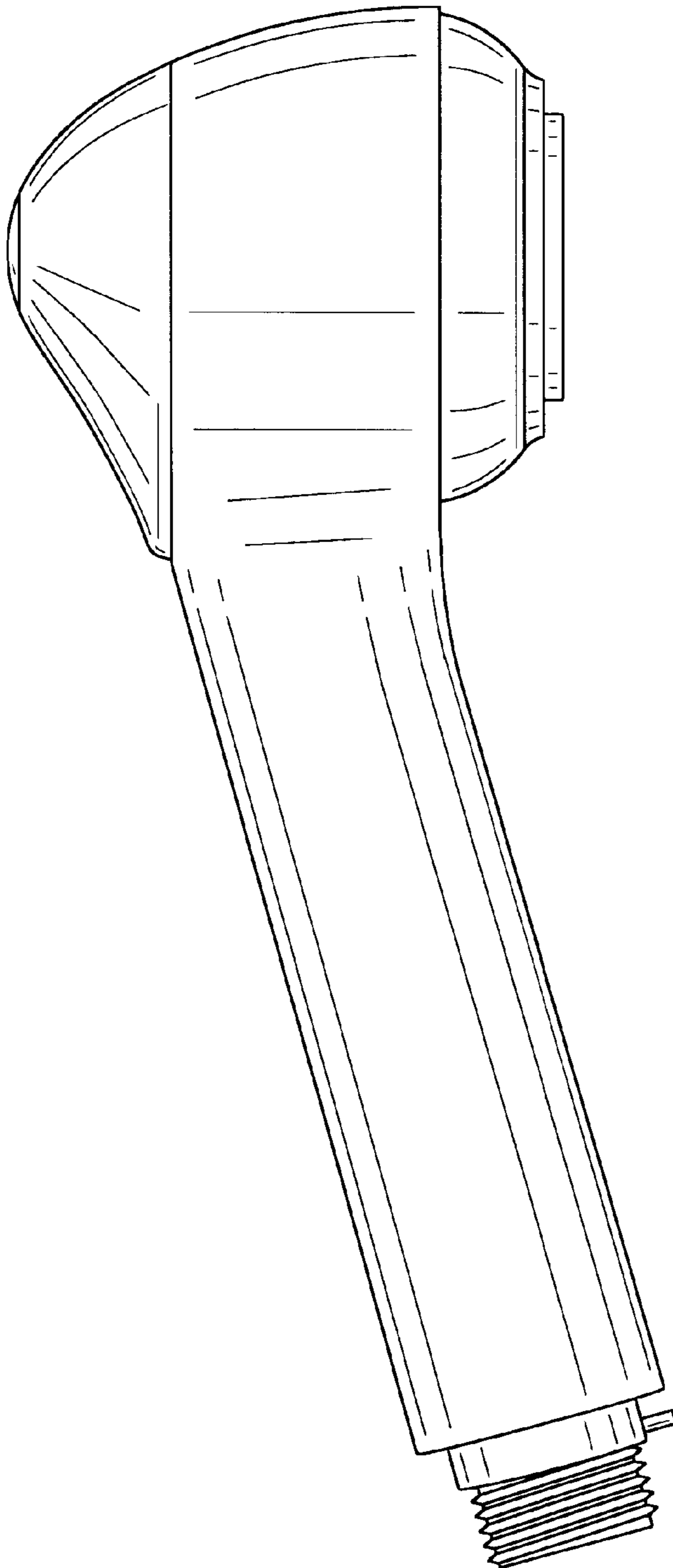


FIG. 5

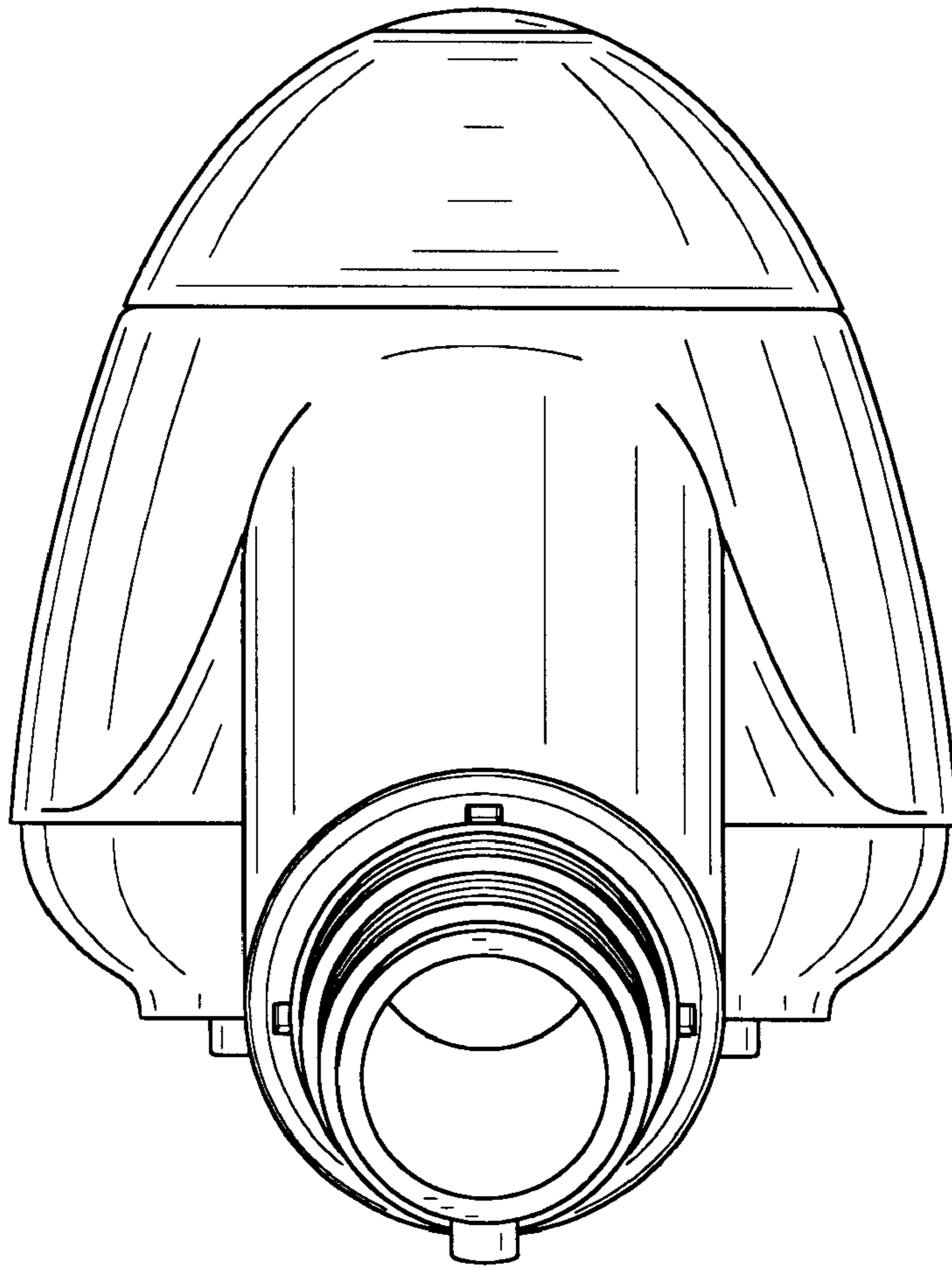


FIG. 6

