



US00D467634S

(12) **United States Design Patent**  
**Eickhorn**

(10) **Patent No.:** **US D467,634 S**

(45) **Date of Patent:** **\*\* Dec. 24, 2002**

(54) **MULTIFUNCTIONAL TOOL**

(76) **Inventor:** **Jörg Eickhorn**, Oberhattenberg 33A,  
42655, Solingen (DE)

(\*\*) **Term:** **14 Years**

(21) **Appl. No.:** **29/143,020**

(22) **Filed:** **Jun. 6, 2001**

(51) **LOC (7) Cl.** ..... **22-02**

(52) **U.S. Cl.** ..... **D22/118**

(58) **Field of Search** ..... D3/220; D22/118;  
224/191, 192, 232, 253; 30/151, 153, 155,  
162

(56) **References Cited**

**U.S. PATENT DOCUMENTS**

D128,614 S	*	8/1941	Beckwith	.....	D3/220
D170,417 S	*	9/1953	Knapp	.....	D3/220
D205,769 S	*	9/1966	Beckwith	.....	D3/220
D369,673 S	*	5/1996	Morton et al.	.....	D3/220

\* cited by examiner

*Primary Examiner*—Catherine R. Oliver

(74) *Attorney, Agent, or Firm*—Schweitzer Cornman Gross  
& Bondell LLP

(57) **CLAIM**

The ornamental design for a multifunctional tool, as shown and described.

**DESCRIPTION**

FIG. 1 is a perspective view of the multifunctional tool of the invention, showing a bayonet-like knife sheathed in a scabbard with an integral external tool portion;

FIG. 2 is a fragmentary view of the opposite side of the scabbard of FIG. 1;

FIG. 3 is a perspective of the knife and scabbard of FIG. 1;

FIG. 4 is a side elevational view of the knife of FIG. 1;

FIG. 5 is an enlarged fragmentary perspective view of the handle of the knife of FIG. 1;

FIG. 6 is a further enlarged fragmentary perspective view of the end of the handle of the knife of FIG. 1;

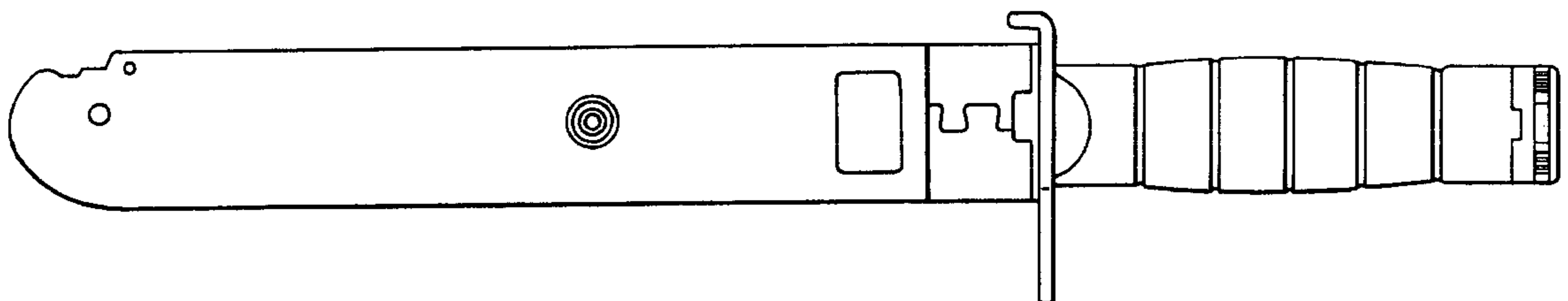
FIG. 7 is a side elevational view of the scabbard of FIG. 1;

FIG. 8 is an enlarged perspective view of the bottom end of the scabbard of FIG. 1;

FIG. 9 is an enlarged perspective view of the top end of the scabbard of FIG. 1; and,

FIG. 10 is a fragmentary enlarged side elevational view of the top end of the scabbard of FIG. 1.

**1 Claim, 10 Drawing Sheets**



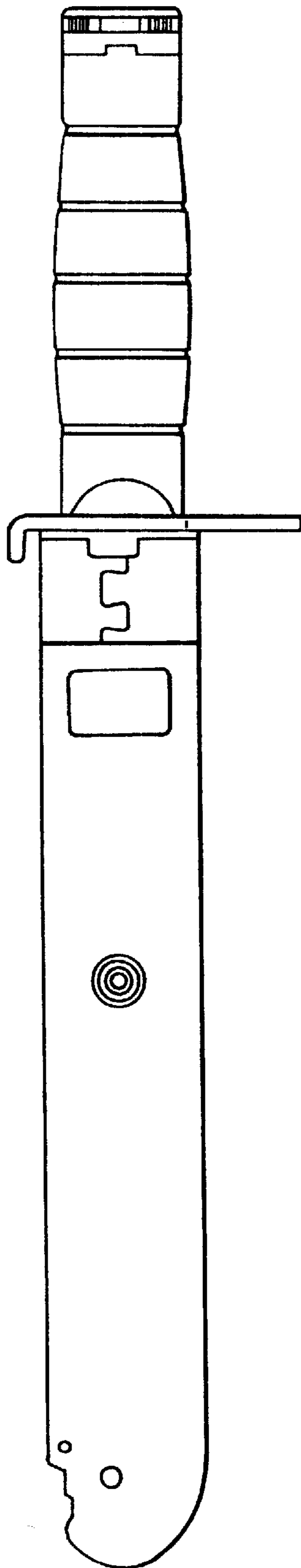


FIG.1

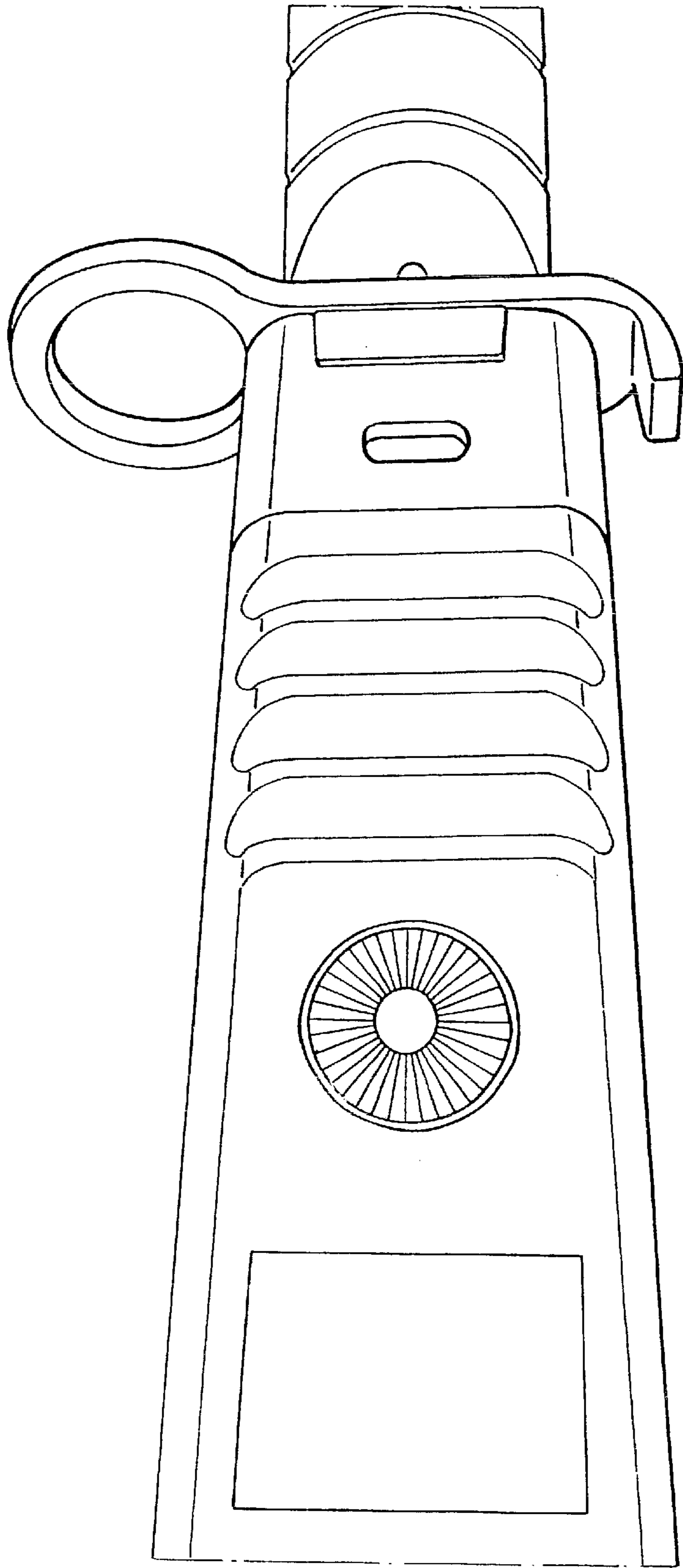


FIG. 2

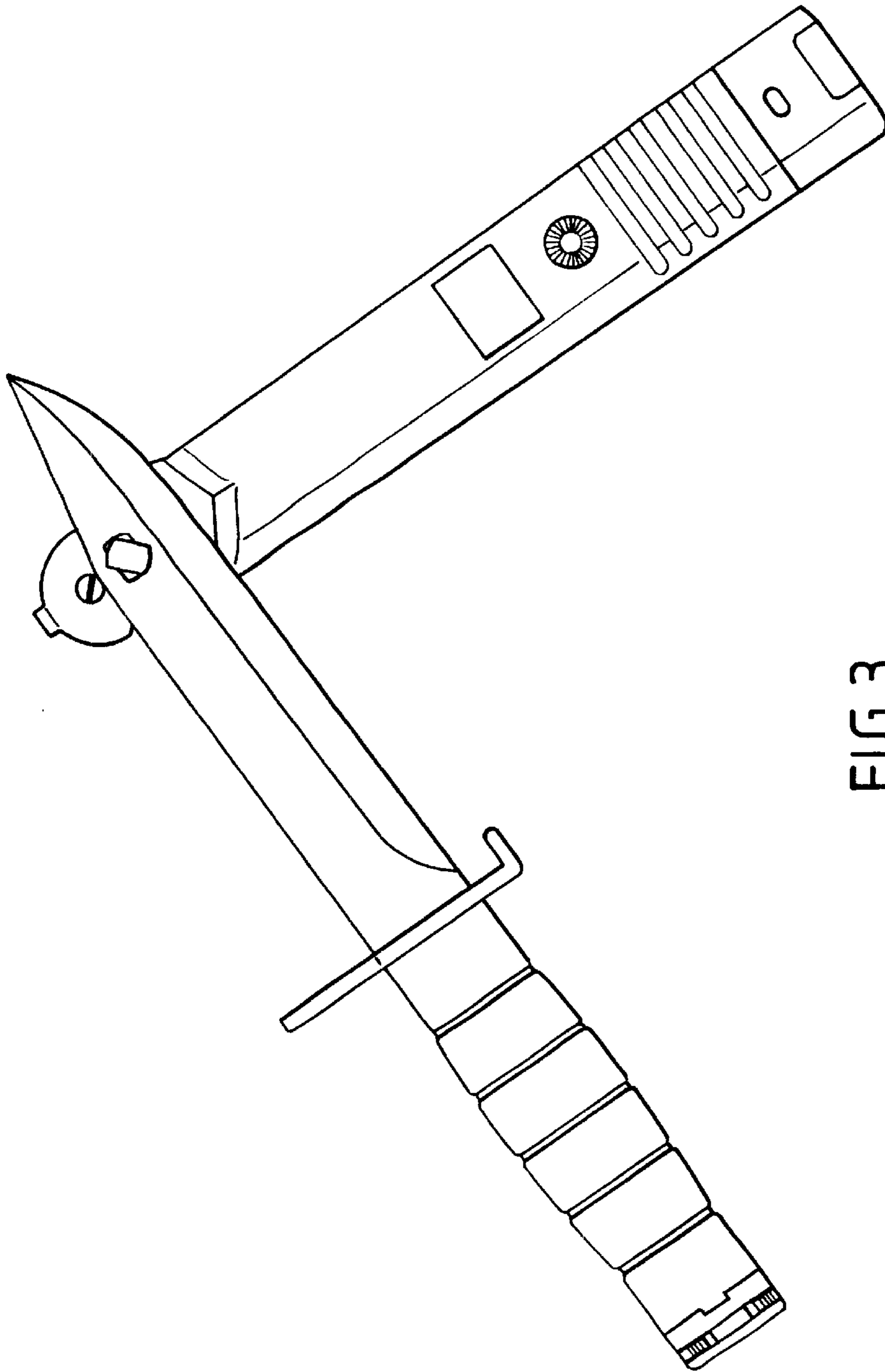


FIG.3

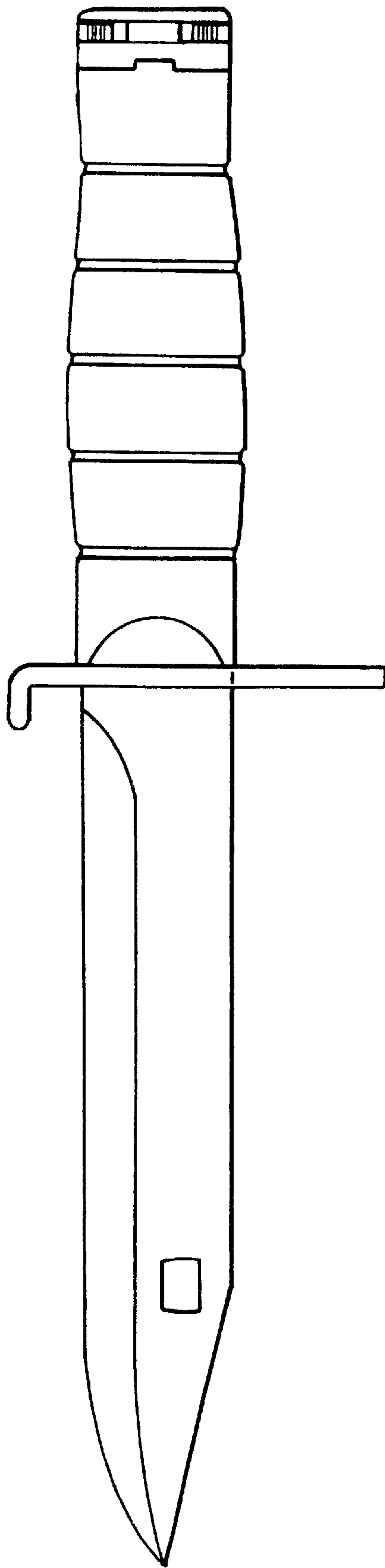


FIG.4

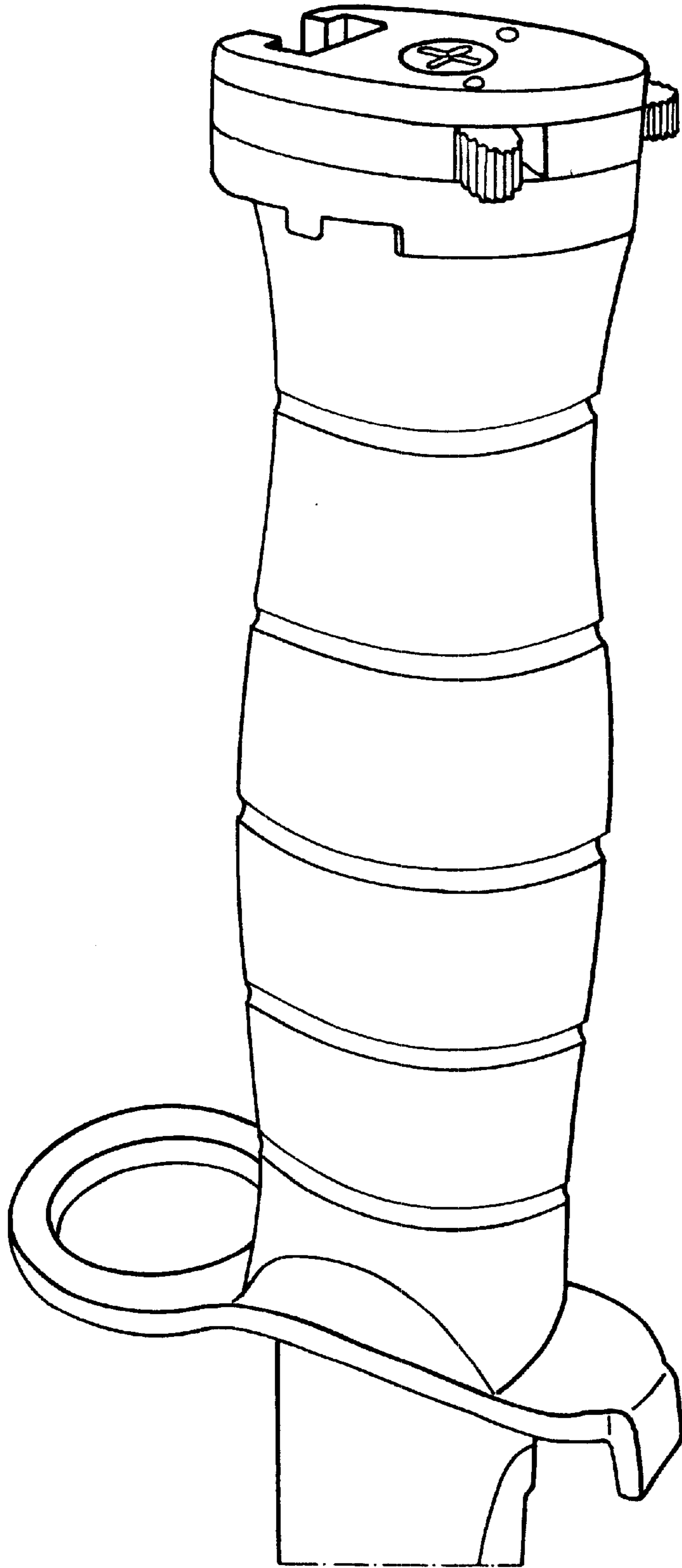


FIG. 5

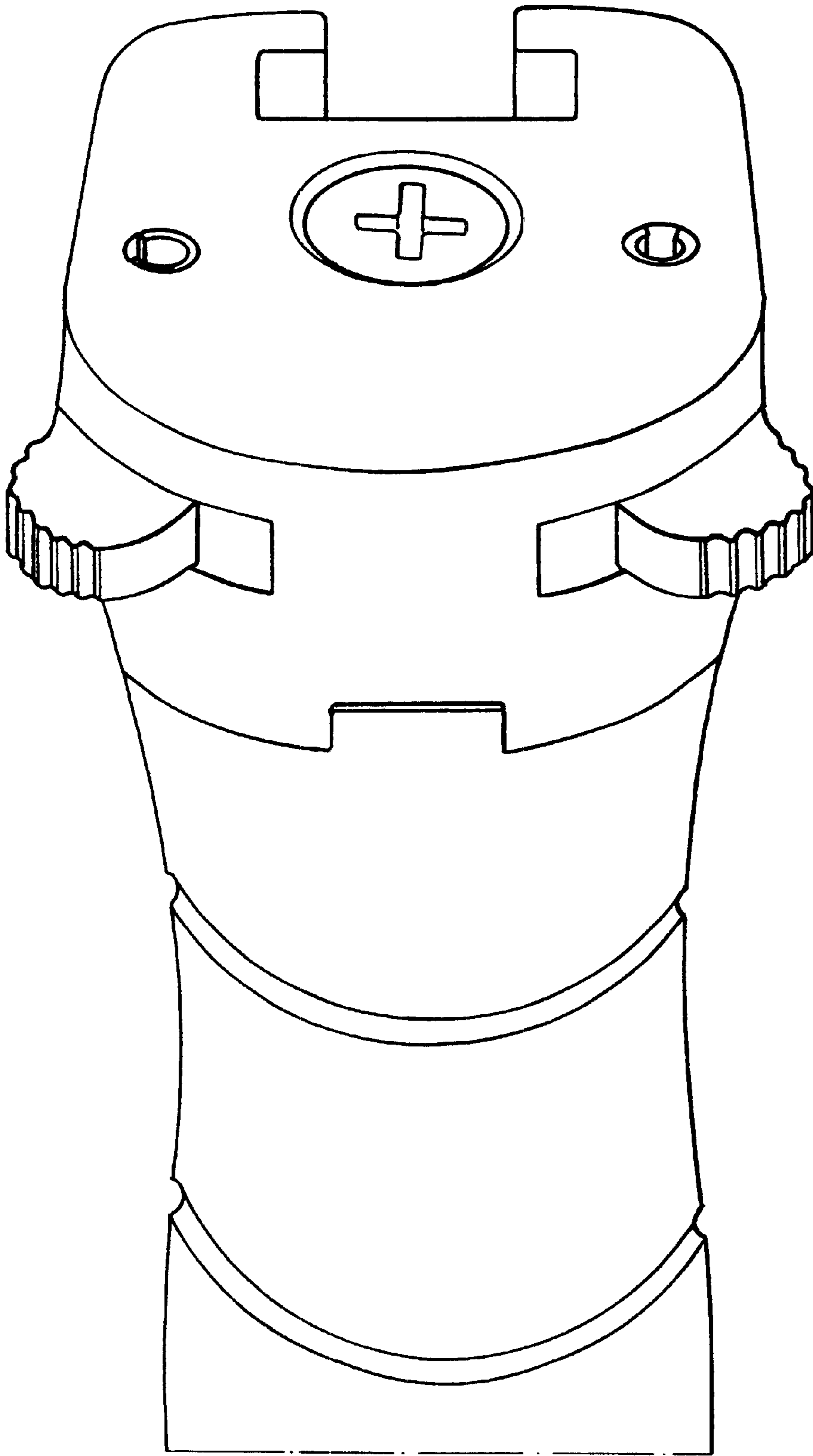


FIG. 6

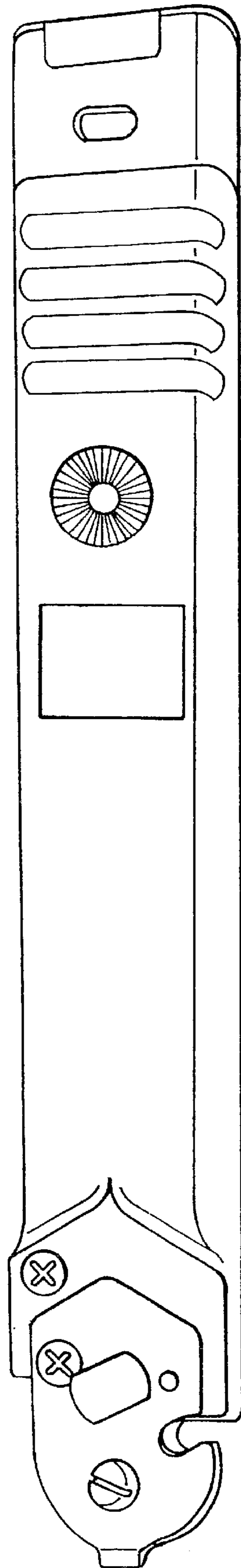


FIG.7



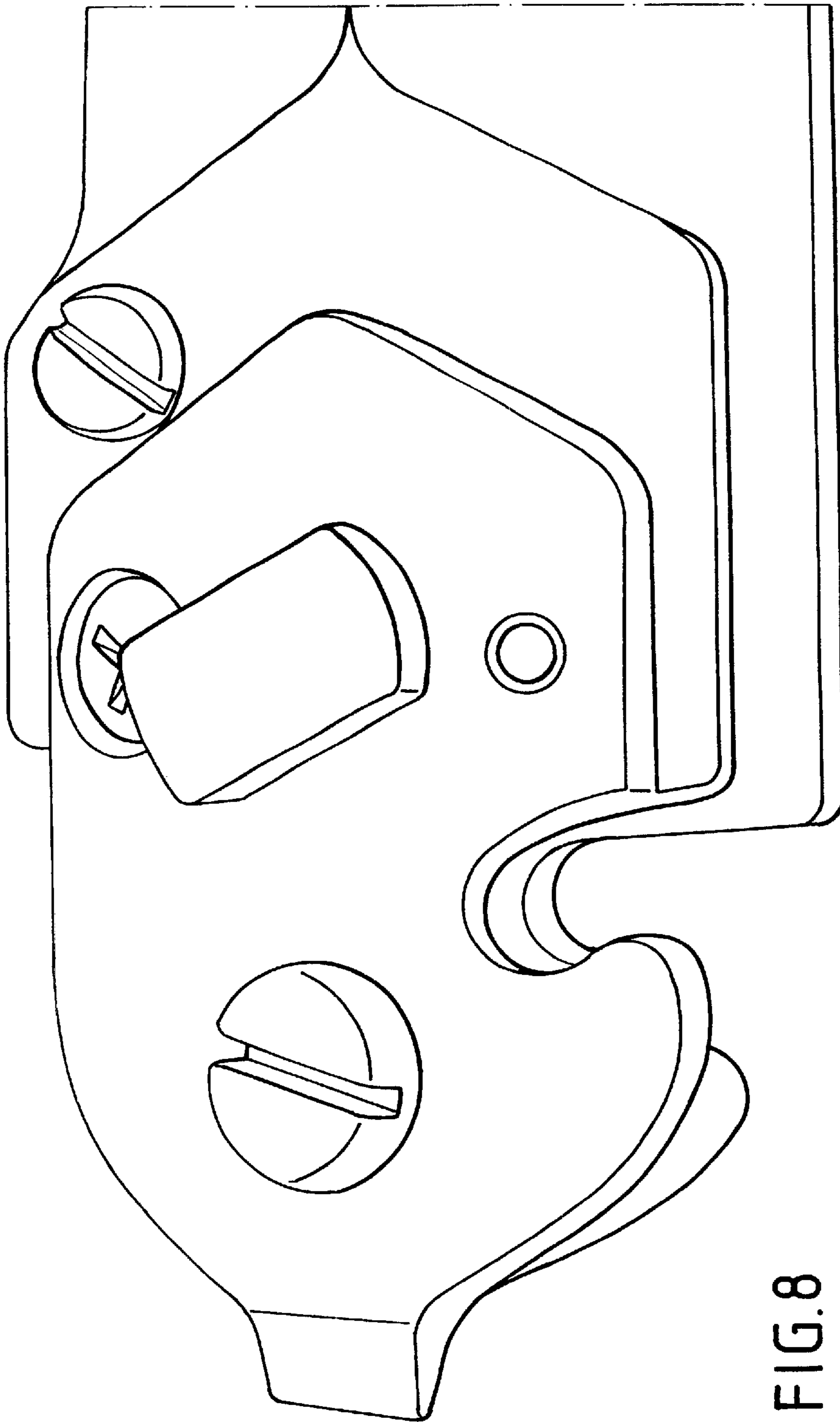


FIG. 8

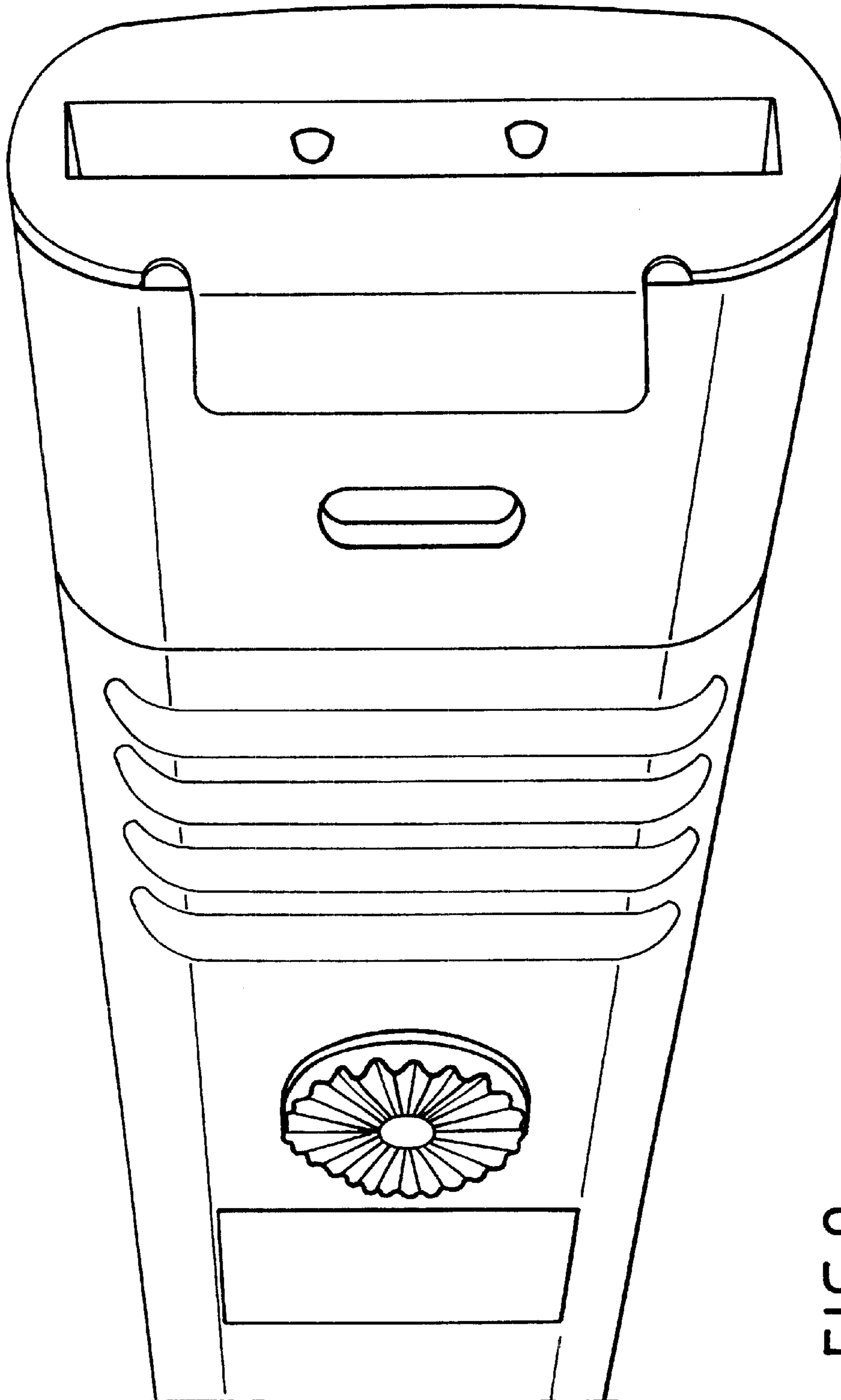


FIG. 9

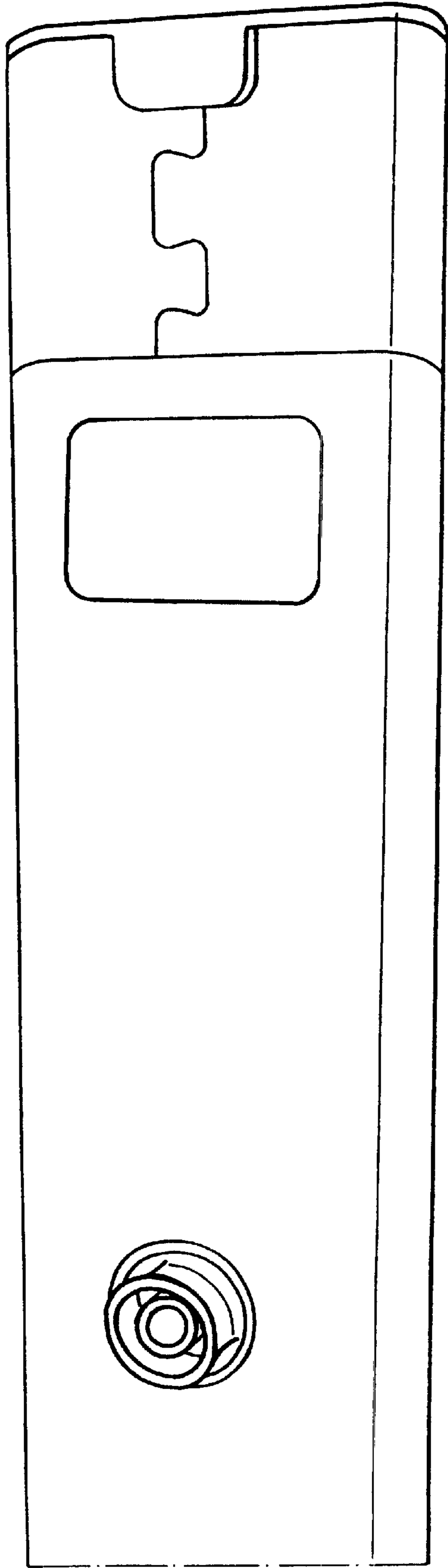


FIG.10