



US00D467632S

(12) **United States Design Patent**  
**Berns**

(10) **Patent No.:** **US D467,632 S**

(45) **Date of Patent:** **\*\* Dec. 24, 2002**

(54) **EXERCISE DEVICE**

(75) Inventor: **Jeffery Berns**, New York, NY (US)

(73) Assignee: **GT Merchandising & Licensing Corp.**, New York, NY (US)

(\*\*) Term: **14 Years**

(21) Appl. No.: **29/149,434**

(22) Filed: **Oct. 10, 2001**

(51) **LOC (7) Cl.** ..... **21-02**

(52) **U.S. Cl.** ..... **D21/662; D21/692**

(58) **Field of Search** ..... **D21/662, 692, D21/676, 686, 690; 482/121, 123, 126, 129, 130, 138**

(56) **References Cited**

**U.S. PATENT DOCUMENTS**

5,261,864 A	*	11/1993	Fitzpatrick	.....	482/123
D347,868 S	*	6/1994	Hill	.....	D21/662
5,352,176 A	*	10/1994	Huang	.....	482/123
D353,419 S	*	12/1994	Sprague	.....	D21/686
5,391,134 A	*	2/1995	Heatwole	.....	482/123
5,540,642 A	*	7/1996	Sprague	.....	482/123

\* cited by examiner

*Primary Examiner*—Philip S. Hyder

(74) *Attorney, Agent, or Firm*—Schweitzer Cornman Gross & Bondell LLP

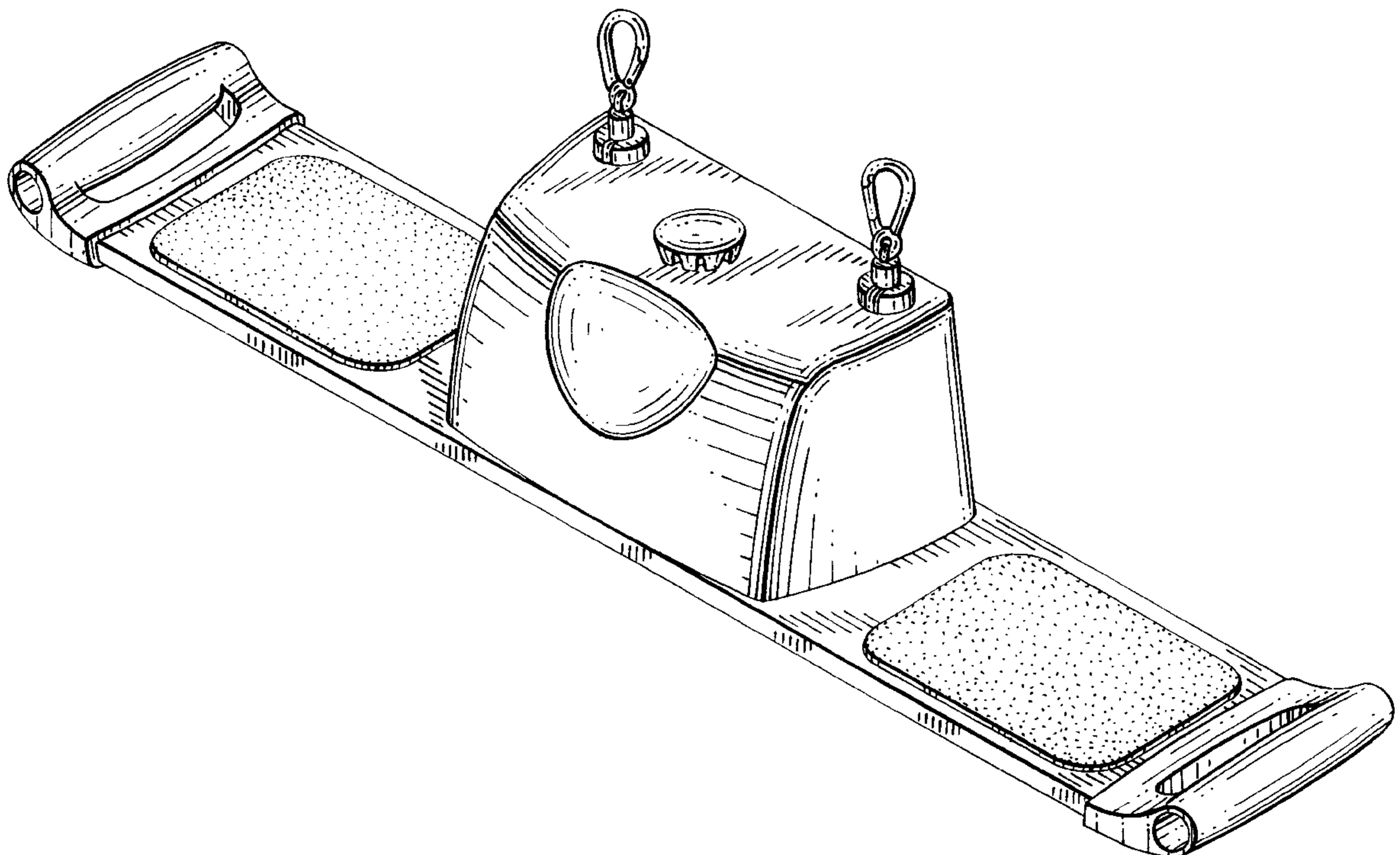
(57) **CLAIM**

The ornamental design for an exercise device, as shown and described.

**DESCRIPTION**

FIG. 1 is perspective view of a first embodiment of the invention;  
 FIG. 2. is a top plan view of the embodiment of FIG. 1;  
 FIG. 3 is a front elevation view of the embodiment of FIG. 1;  
 FIG. 4 is a rear elevation view of the embodiment of FIG. 1;  
 FIG. 5 is an end elevation view of the embodiment of FIG. 1, the other end being a mirror image;  
 FIG. 6 is perspective view of a second embodiment of the invention;  
 FIG. 7. is a top plan view of the embodiment of FIG. 6;  
 FIG. 8 is a front elevation view of the embodiment of FIG. 6;  
 FIG. 9 is a rear elevation view of the embodiment of FIG. 6; and,  
 FIG. 10 is an end elevation view of the embodiment of FIG. 6, the other end being a mirror image.  
 The bottom of the device forms no part of the claimed design.

**1 Claim, 6 Drawing Sheets**



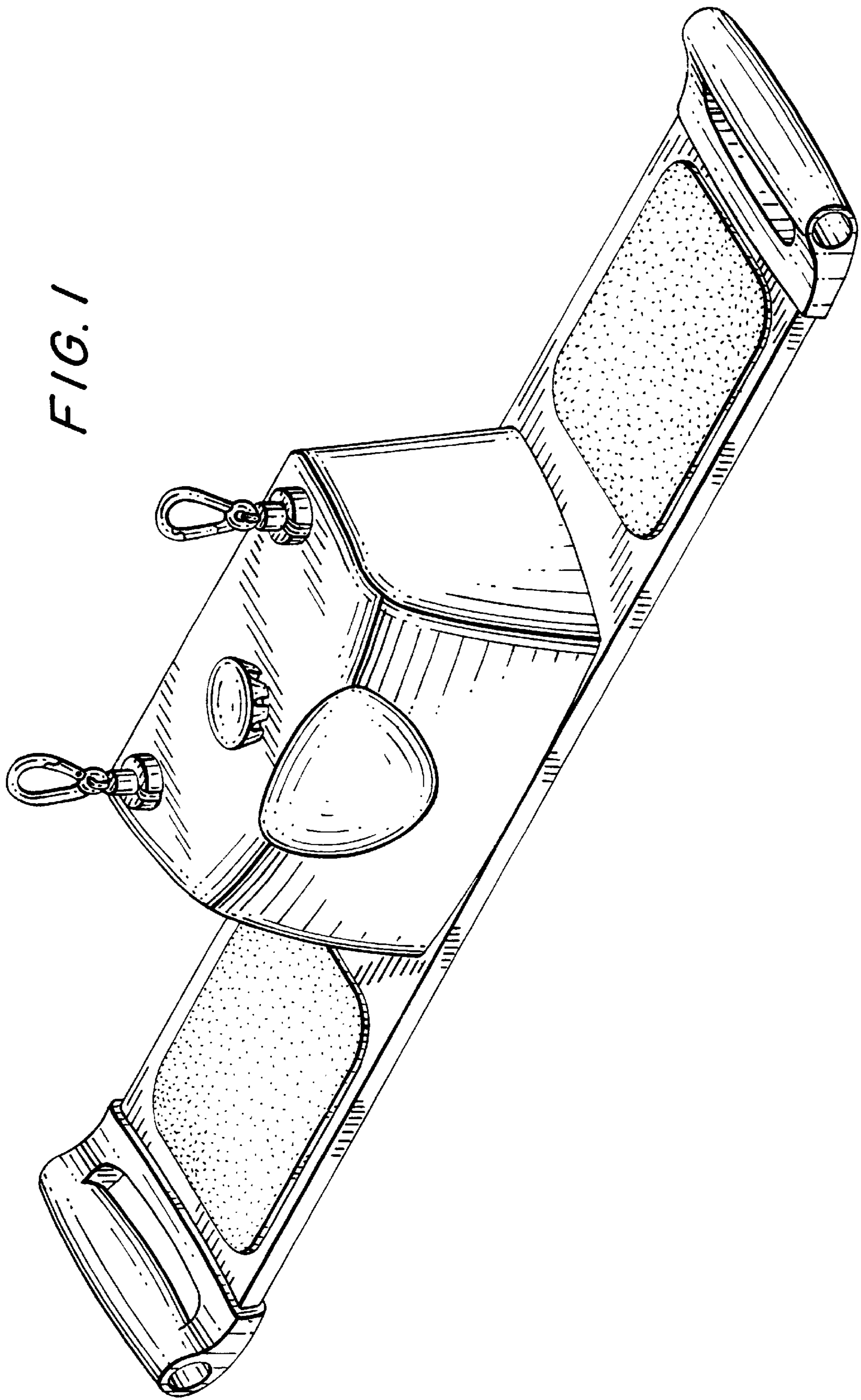


FIG. 1

FIG. 2

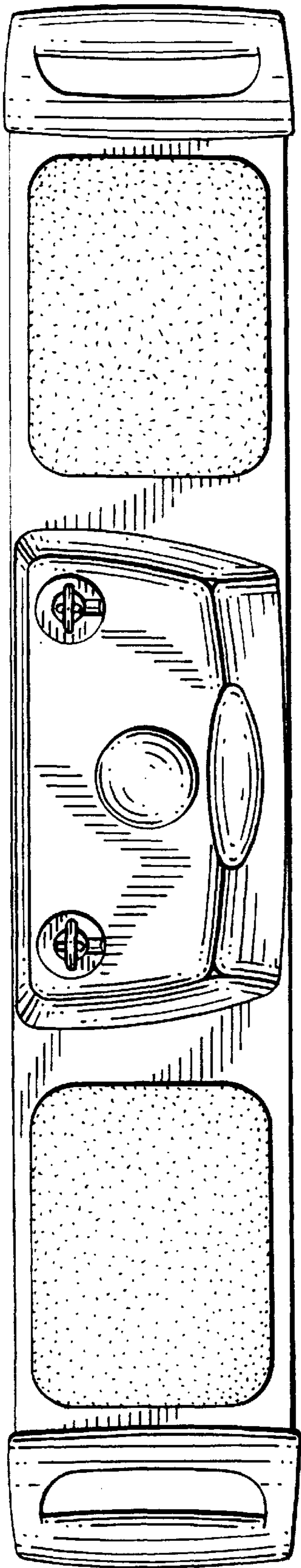
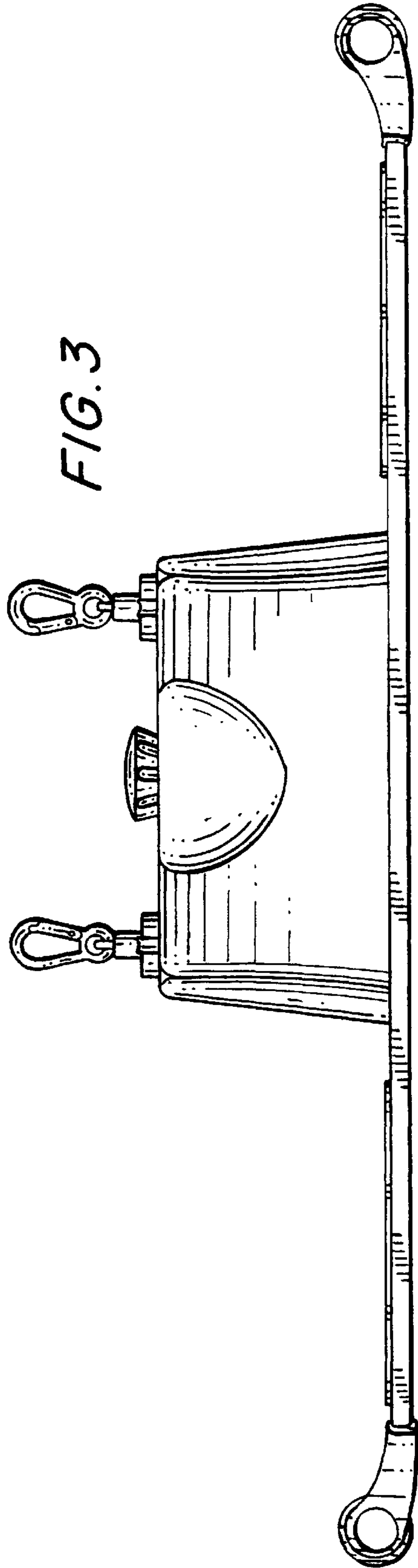


FIG. 3



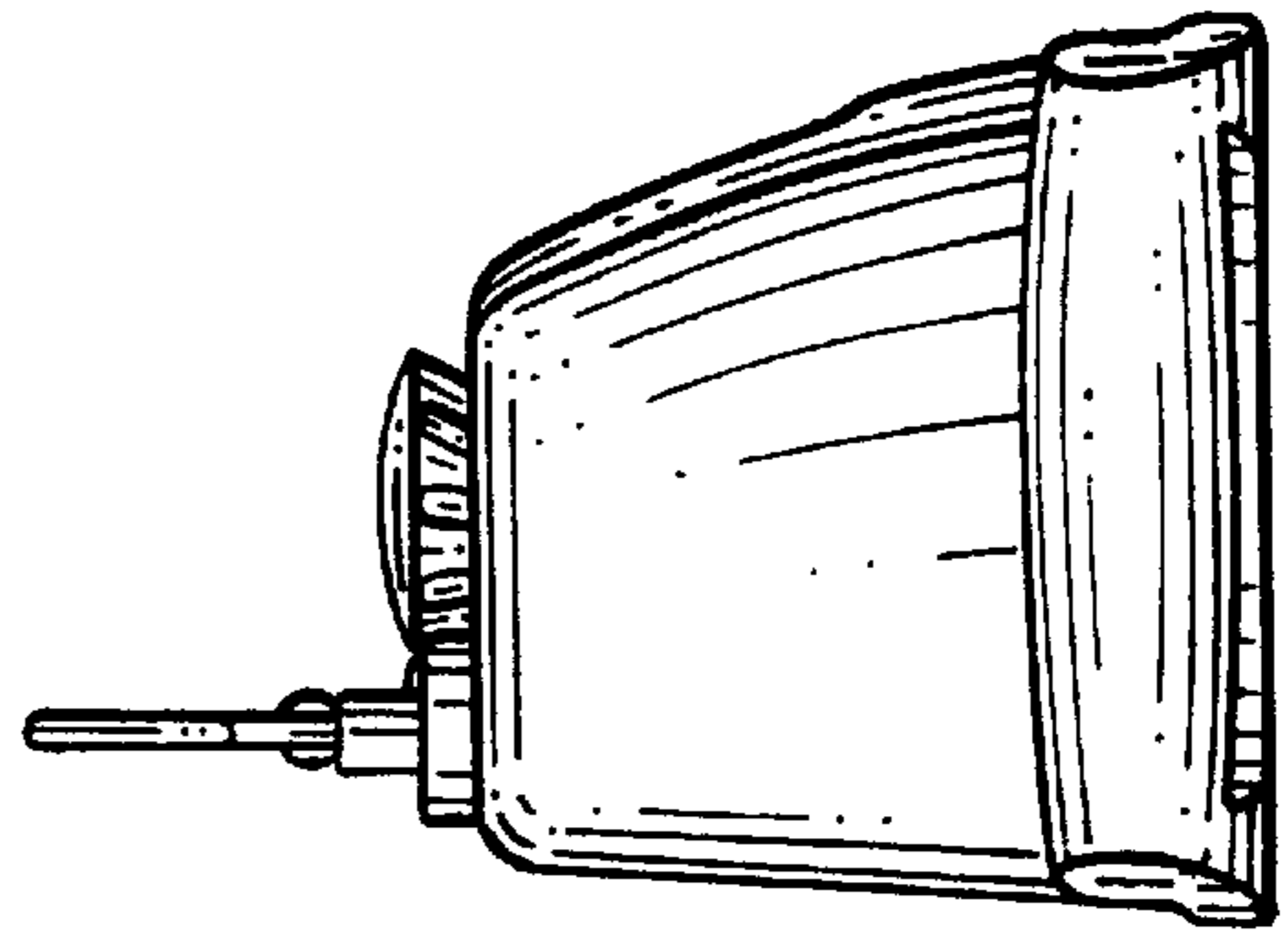
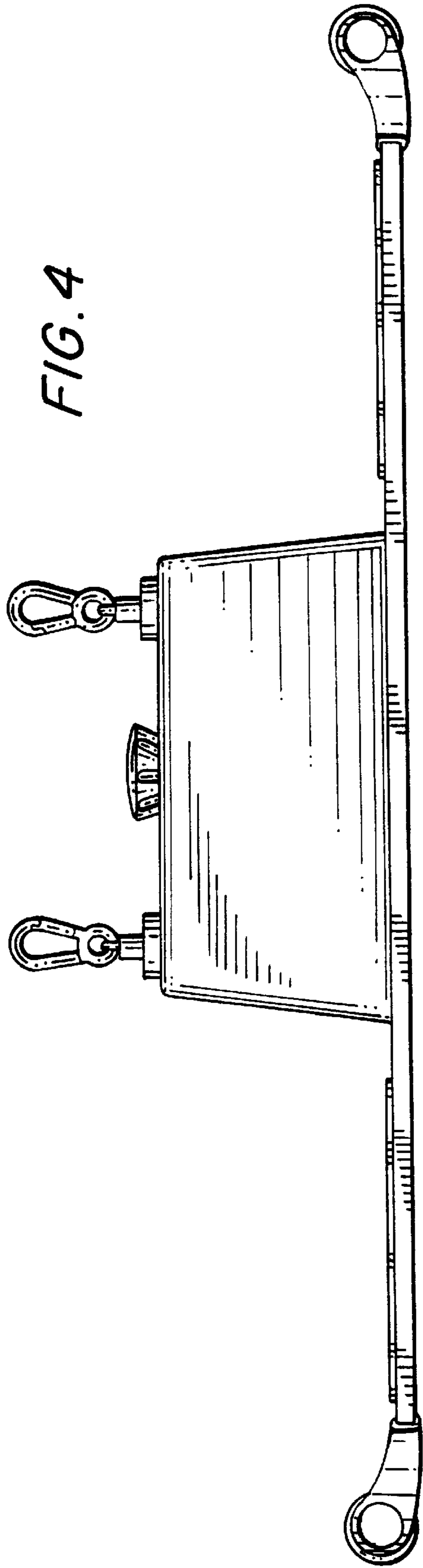
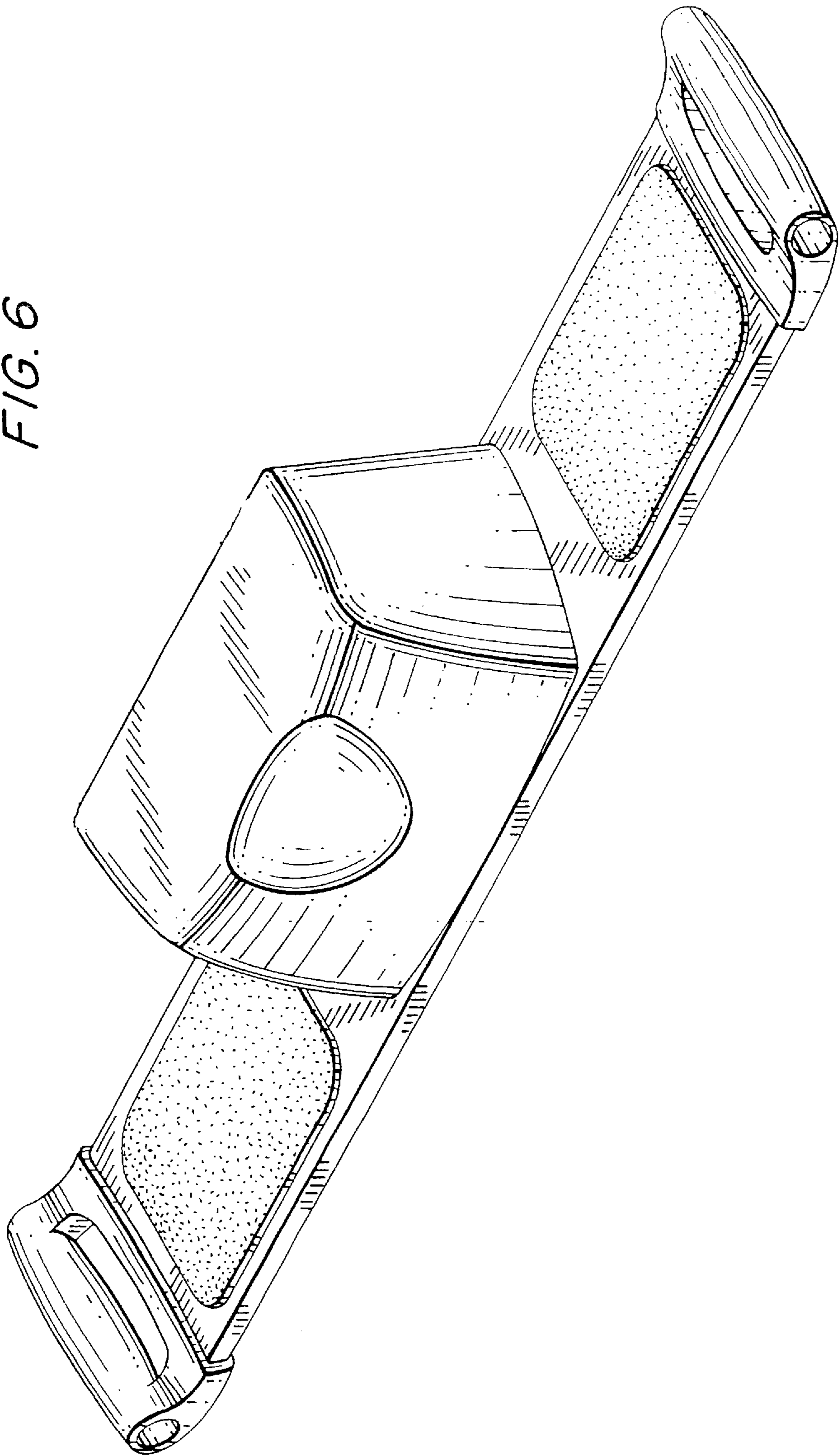


FIG. 6



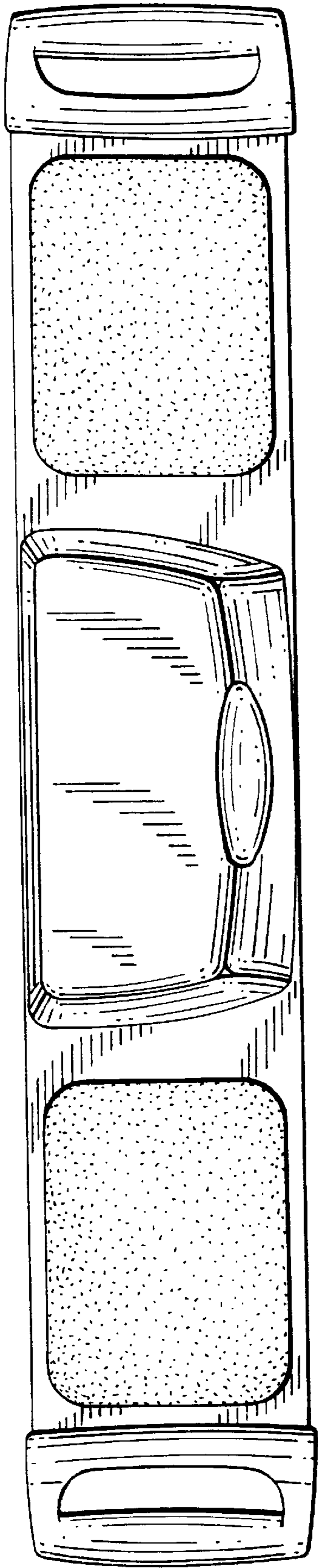


FIG. 7

FIG. 8

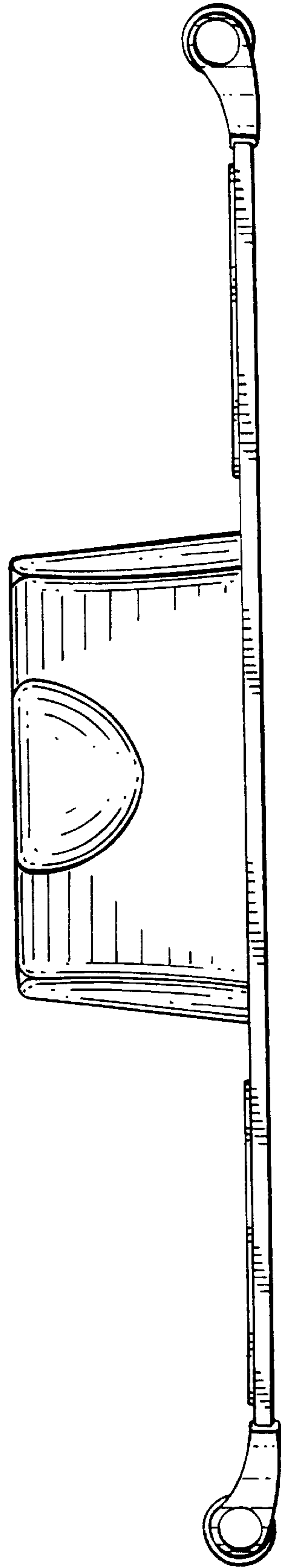


FIG. 9

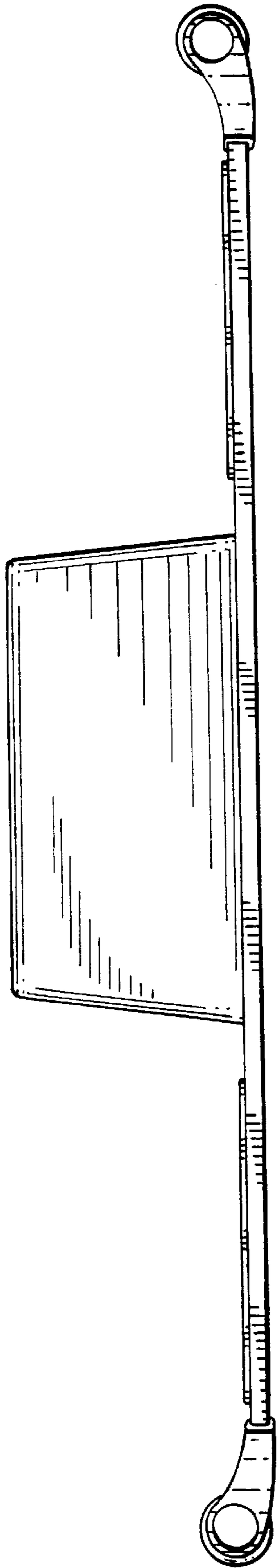


FIG. 10

