



US00D467626S

(12) **United States Design Patent**
Ben-Arush

(10) **Patent No.:** **US D467,626 S**

(45) **Date of Patent:** **** Dec. 24, 2002**

(54) **SUPPORT STRUCTURE FOR INFANT TOYS**

D387,395 S * 12/1997 Silberstein D21/467
D403,718 S * 1/1999 Fuligni D21/475

(75) Inventor: **Shimon Ben-Arush**, Haela (IL)

* cited by examiner

(73) Assignee: **TAF Plastics Products Ltd.**, Tel Itzhak (IL)

Primary Examiner—Dominic Simone
(74) *Attorney, Agent, or Firm*—Browdy and Neimark, P.L.L.C.

(**) Term: **14 Years**

(21) Appl. No.: **29/144,610**

(57) **CLAIM**

(22) Filed: **Jul. 9, 2001**

The ornamental design for a support structure for infant toys, as shown and described.

(30) **Foreign Application Priority Data**

DESCRIPTION

Jan. 9, 2001 (IL) 34624

FIG. 1 is a perspective view of a support structure for infant toys;
FIG. 2 is a top view thereof;
FIG. 3 is a bottom view thereof;
FIG. 4 is front view thereof;
FIG. 5 is a side view thereof;
FIG. 6 is another side view thereof from a different position;
and,
FIG. 7 is another side view thereof from a different position.

(51) **LOC (7) Cl.** **21-01**

(52) **U.S. Cl.** **D21/475**

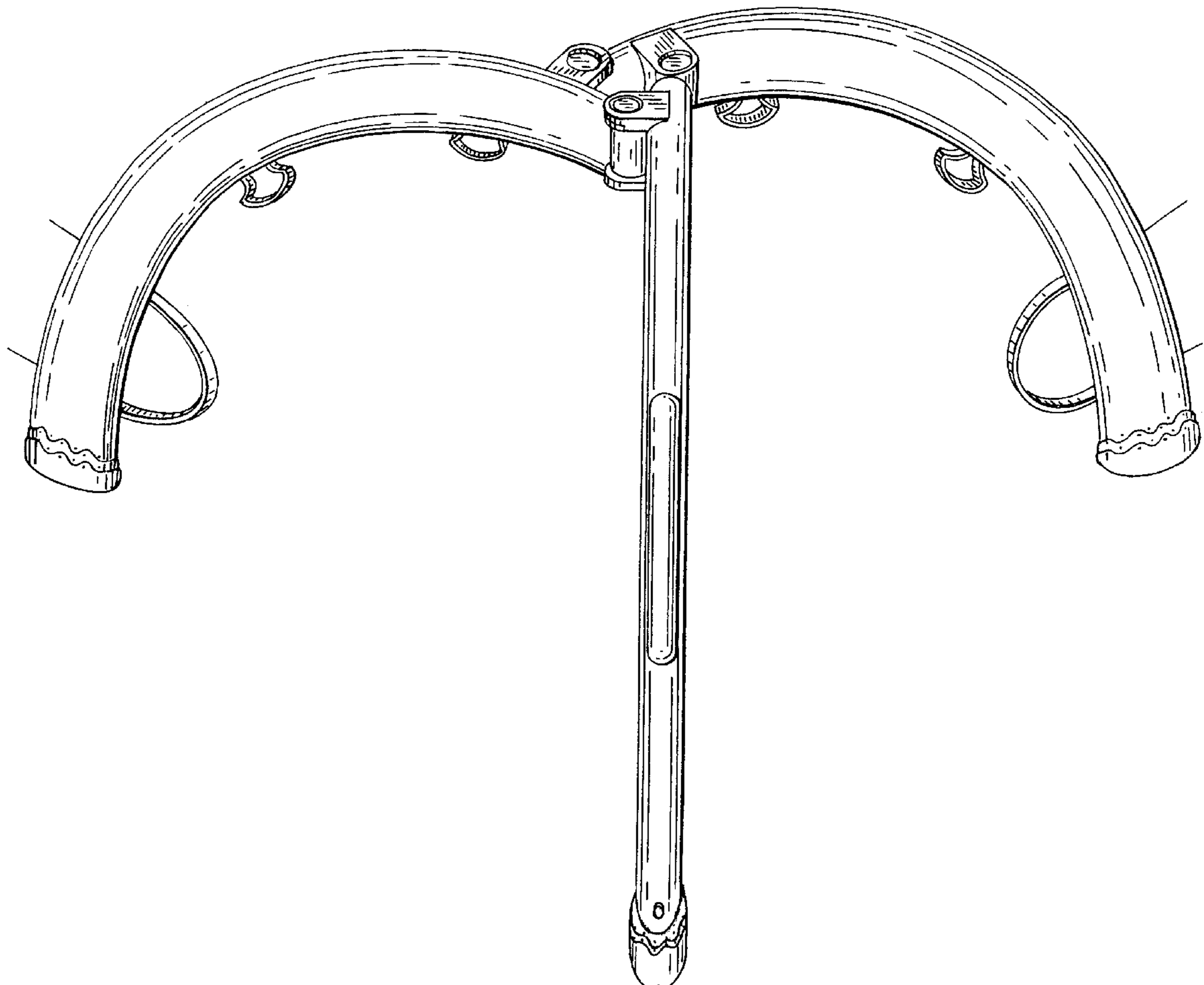
(58) **Field of Search** D21/398, 465, D21/467, 468, 475, 476; 446/227-229

(56) **References Cited**

U.S. PATENT DOCUMENTS

4,702,719 A * 10/1987 Lapid 446/227
D356,346 S * 3/1995 Yip D21/467

1 Claim, 7 Drawing Sheets



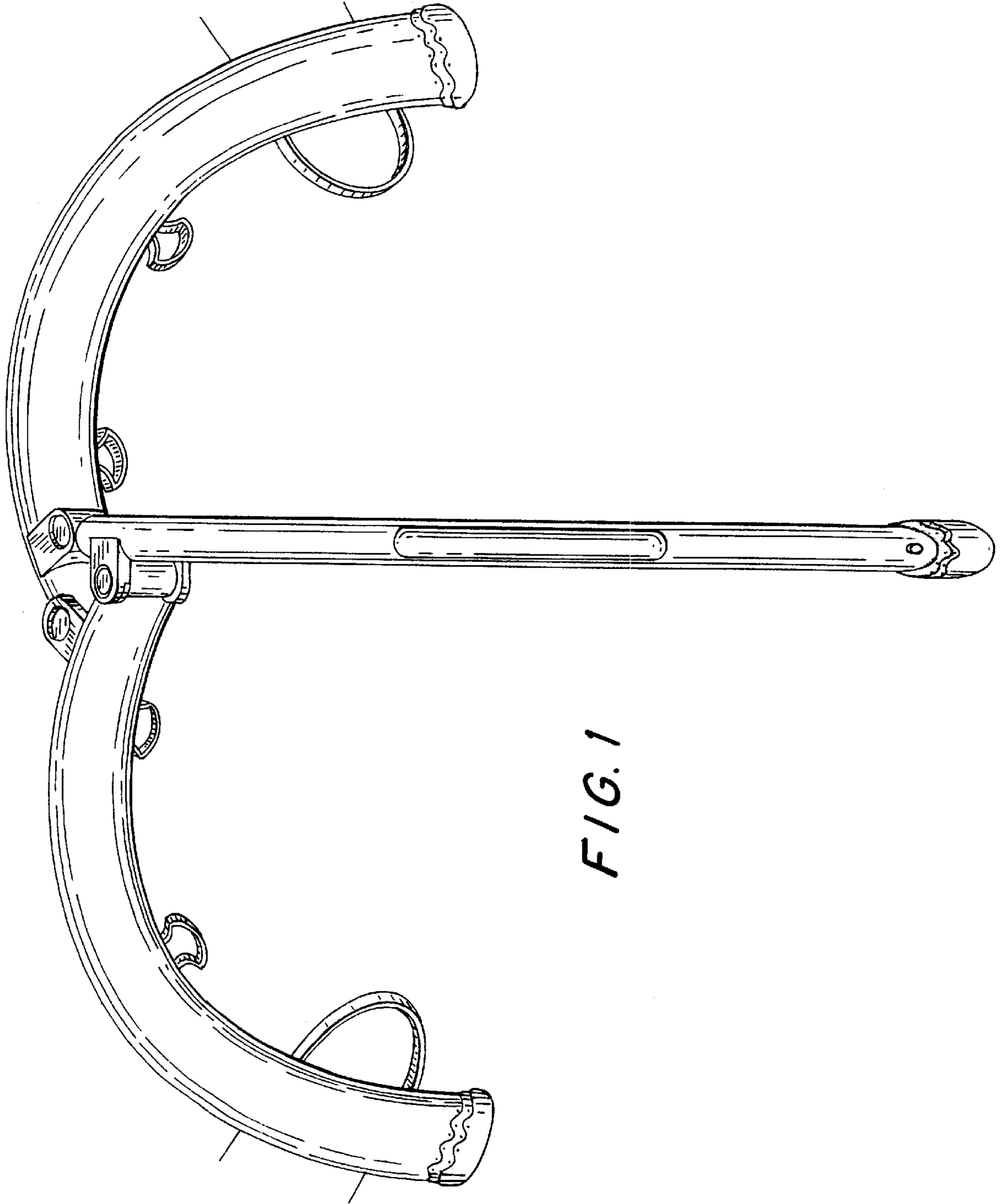


FIG. 2

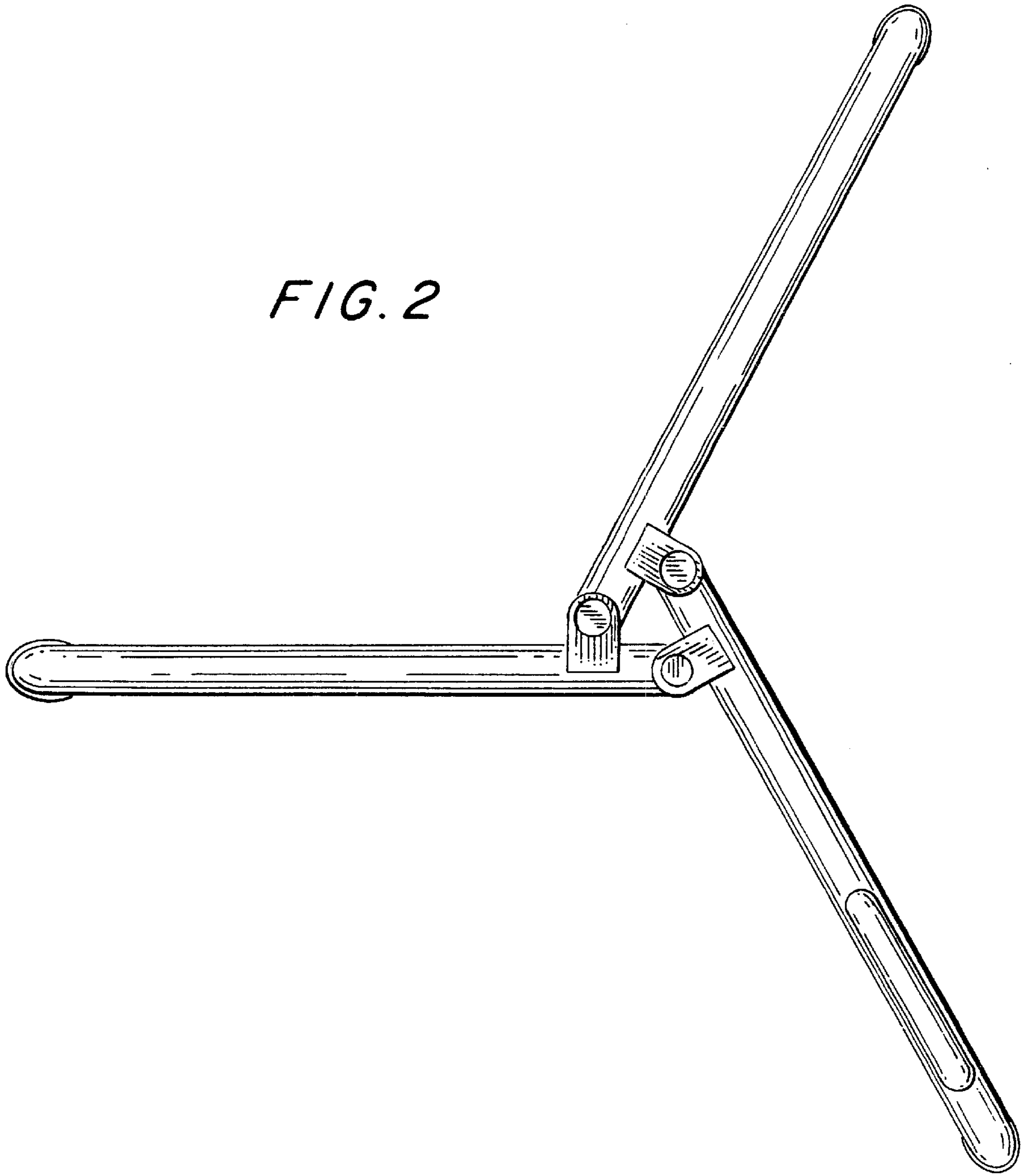
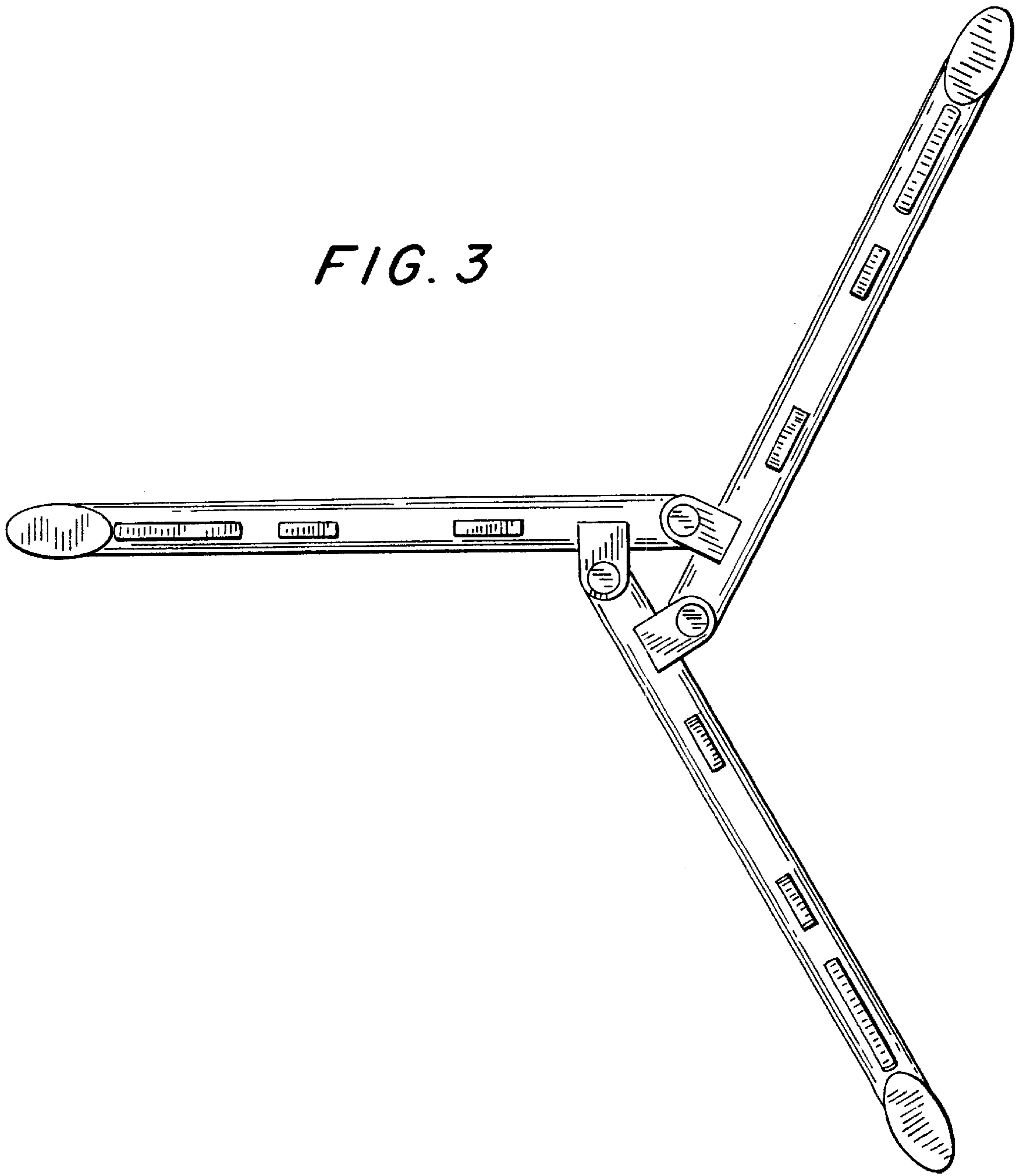


FIG. 3



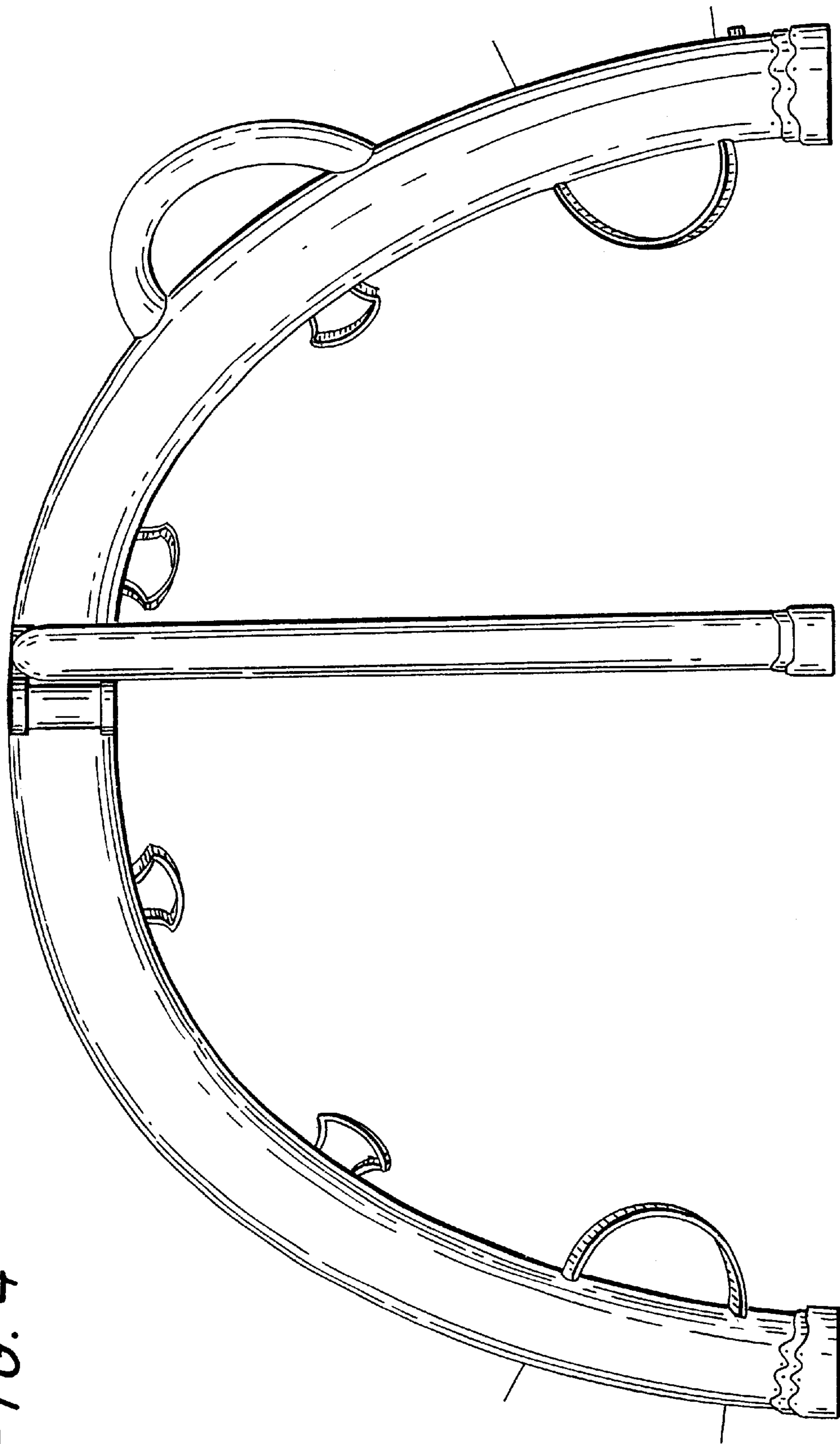


FIG. 4

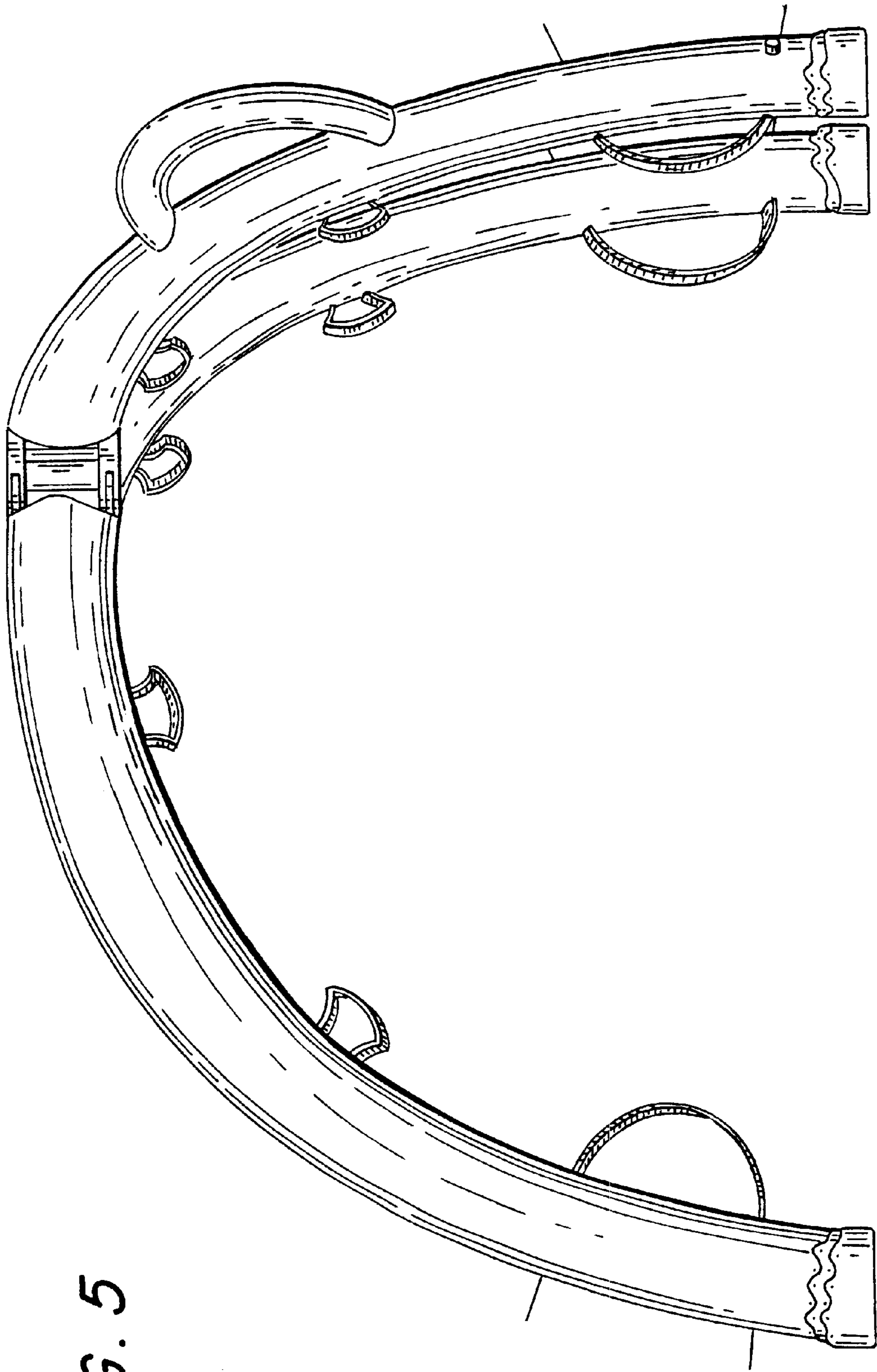


FIG. 5

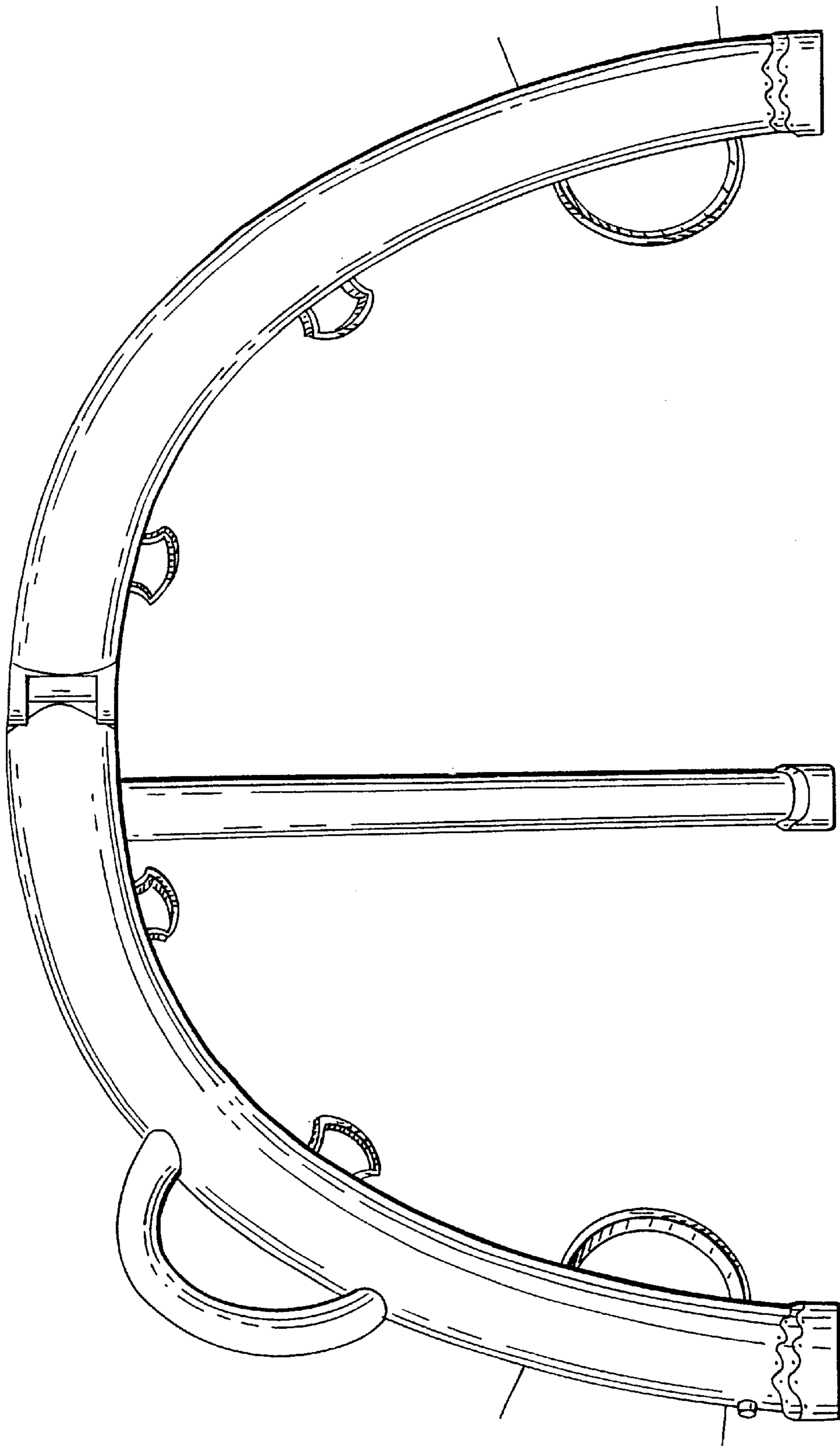


FIG. 6

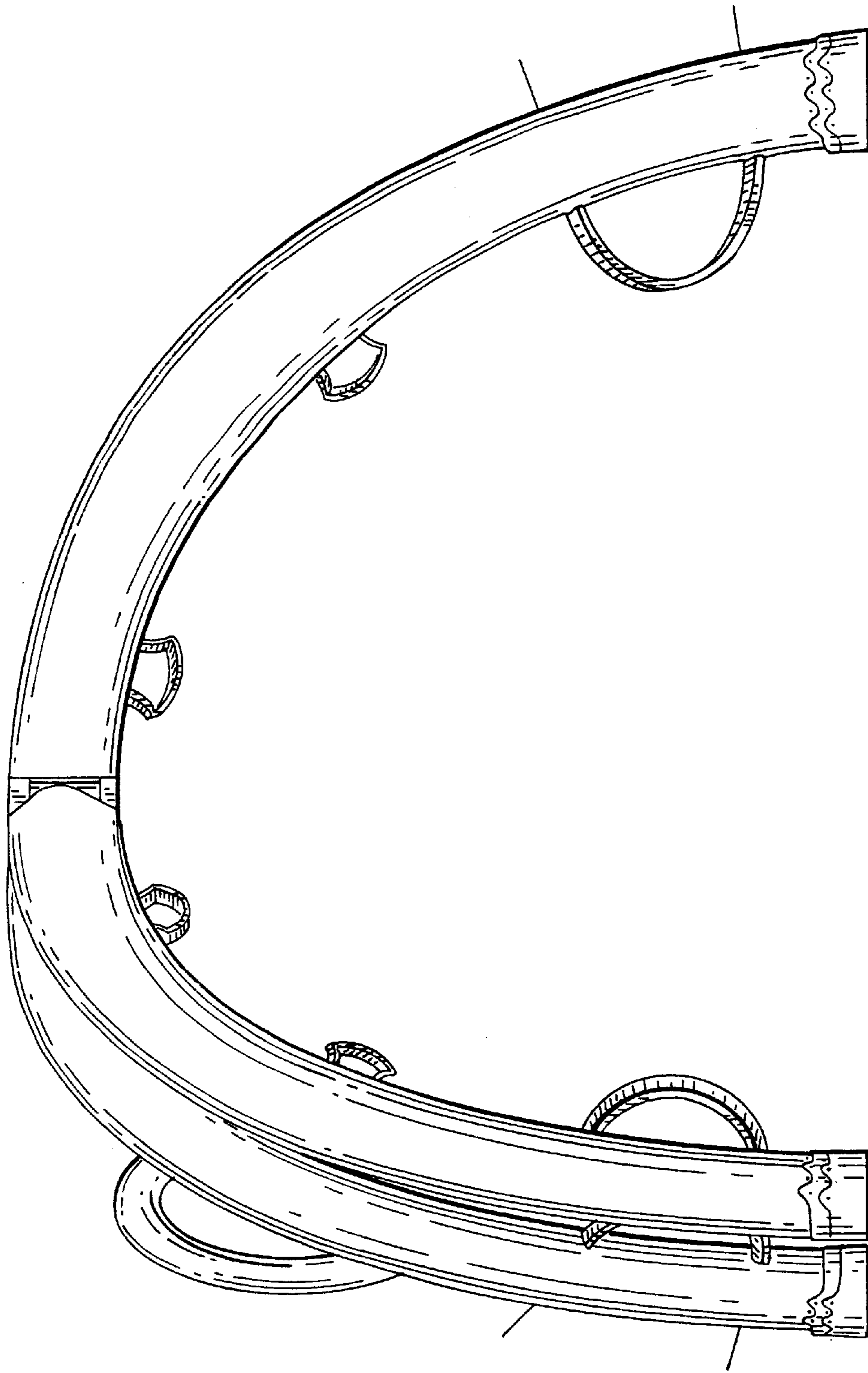


FIG. 7