



US00D467625S

(12) **United States Design Patent**
Clark et al.

(10) **Patent No.:** **US D467,625 S**

(45) **Date of Patent:** **** Dec. 24, 2002**

(54) **SCOOTER FOR TOY ANIMALS**

6,270,095 B1 * 8/2001 Chang 280/87.041
6,332,621 B1 * 12/2001 Wu 280/87.041

(75) Inventors: **Maxine Clark**, St. Louis, MO (US);
Beverly Schofield, Alton, IL (US);
Diane Ressel, Florissant, MO (US);
Helen Hagan, O'Fallon, MO (US)

* cited by examiner

Primary Examiner—Raphael Barkai
(74) *Attorney, Agent, or Firm*—Blackwell Sanders Peper
Martin LLP

(73) Assignee: **Build-A-Bear Workshop, Inc.**, St.
Louis, MO (US)

(57) **CLAIM**

(**) Term: **14 Years**

The ornamental design for a scooter for toy animals, as
shown and described.

(21) Appl. No.: **29/148,868**

DESCRIPTION

(22) Filed: **Sep. 28, 2001**

(51) **LOC (7) Cl.** **21-01**

(52) **U.S. Cl.** **D21/423**

(58) **Field of Search** D21/419, 421,
D21/423, 424, 426, 435, 533, 760, 771;
D12/107, 110-112; 280/87.01, 87.021,
87.041, 87.042, 87.05; 180/181, 216, 219

FIG. 1 is a front perspective view of the new scooter for toy
animals in accordance with our new design;
FIG. 2 is a right side elevational view thereof;
FIG. 3 is a left side elevational view thereof;
FIG. 4 is a front elevational view thereof;
FIG. 5 is a back elevational view thereof;
FIG. 6 is a top plan view thereof;
FIG. 7 is a bottom plan view thereof;
FIG. 8 is a front perspective view of another embodiment of
the scooter for toy animals shown in FIG. 1; and,
FIG. 9 is a top plan view thereof.

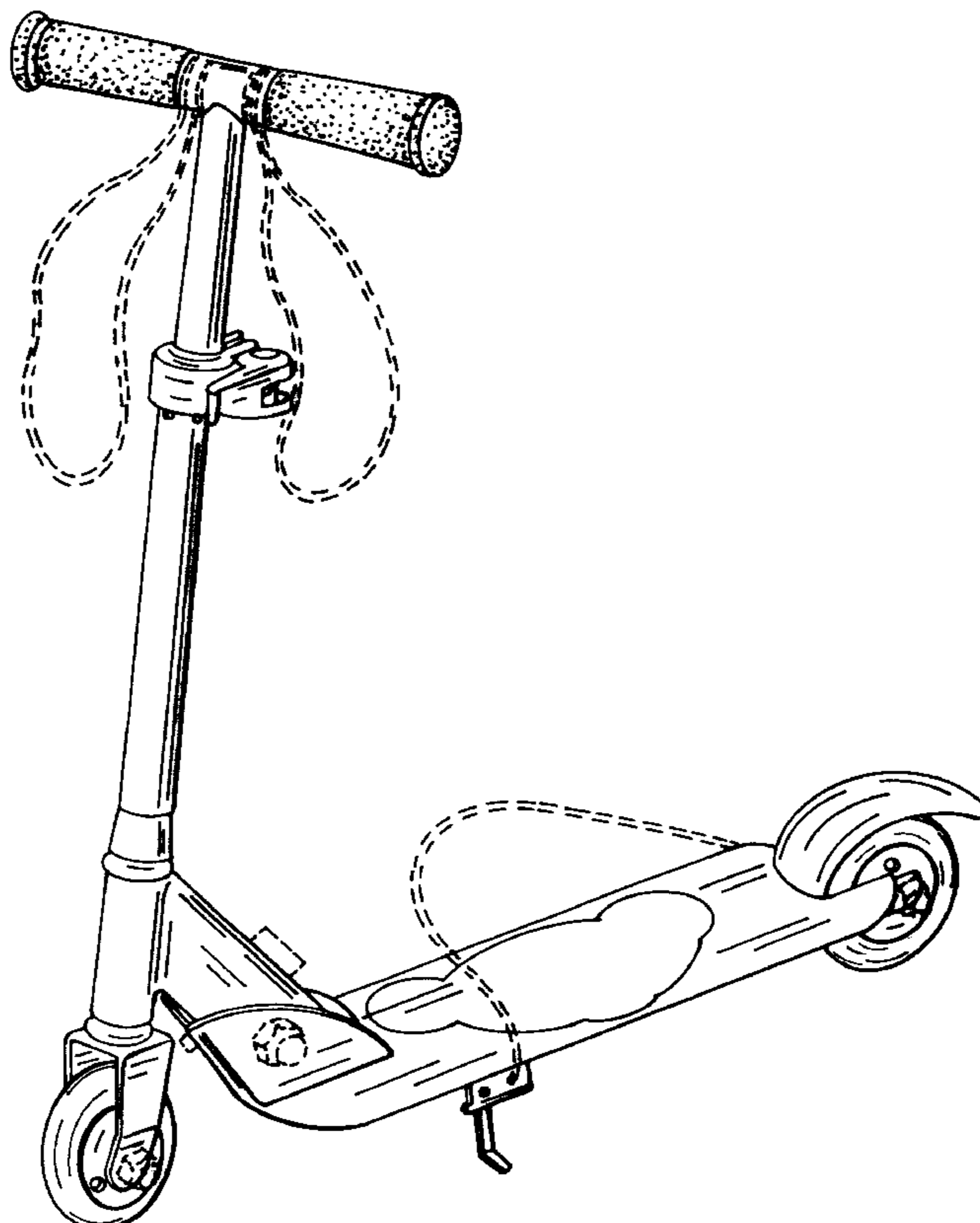
(56) **References Cited**

U.S. PATENT DOCUMENTS

D435,873 S * 1/2001 Lee D21/423
6,168,175 B1 * 1/2001 Lan 280/87.041
6,173,976 B1 * 1/2001 Lee 280/87.05
D438,912 S * 3/2001 Barrera D21/423
D443,001 S * 5/2001 Ouboter D21/423
D444,824 S 7/2001 Udwin et al.

Throughout the drawings lines shown in phantom are from
illustrative purposes only and form no part of the claimed
design.

1 Claim, 9 Drawing Sheets



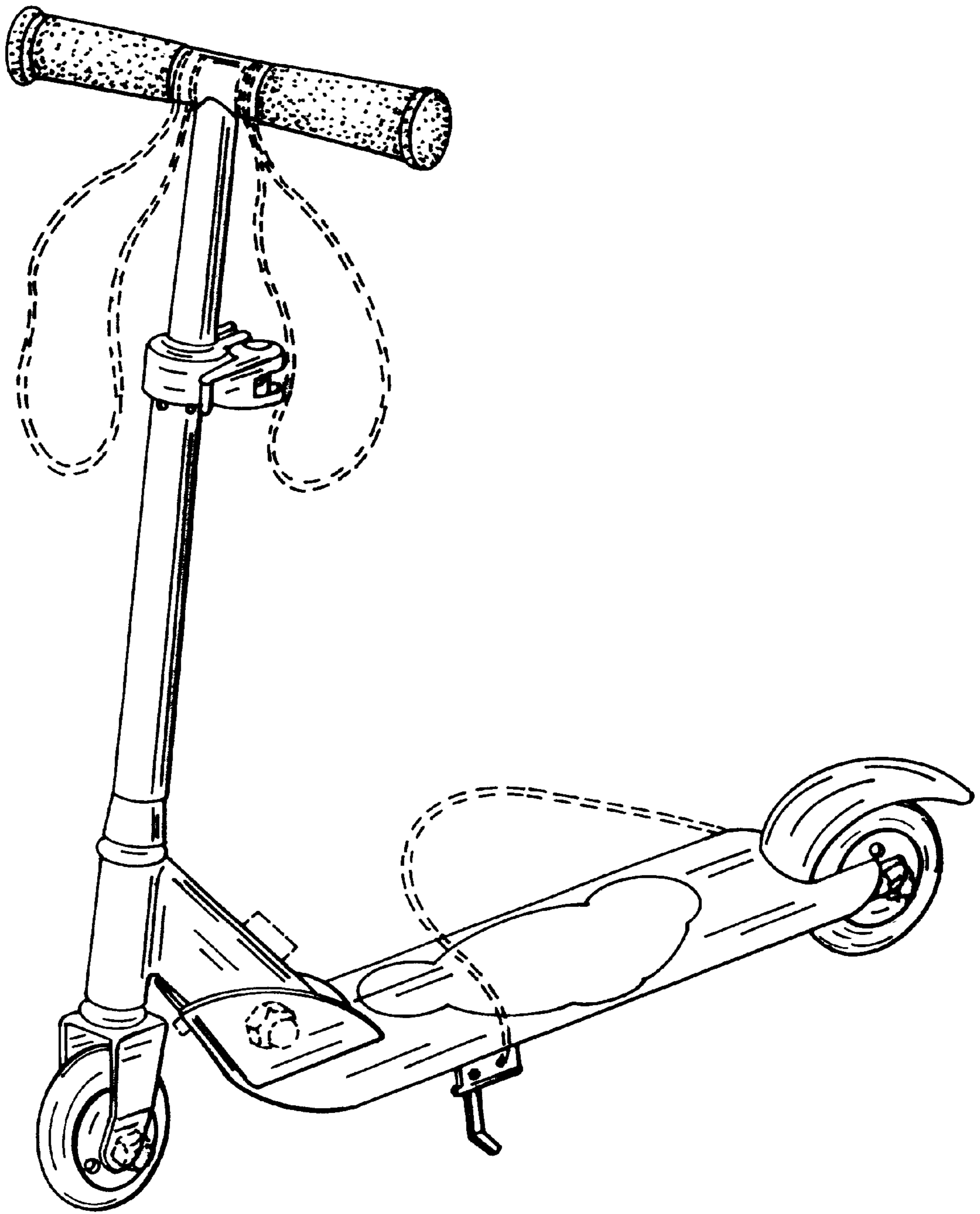


FIG. 1

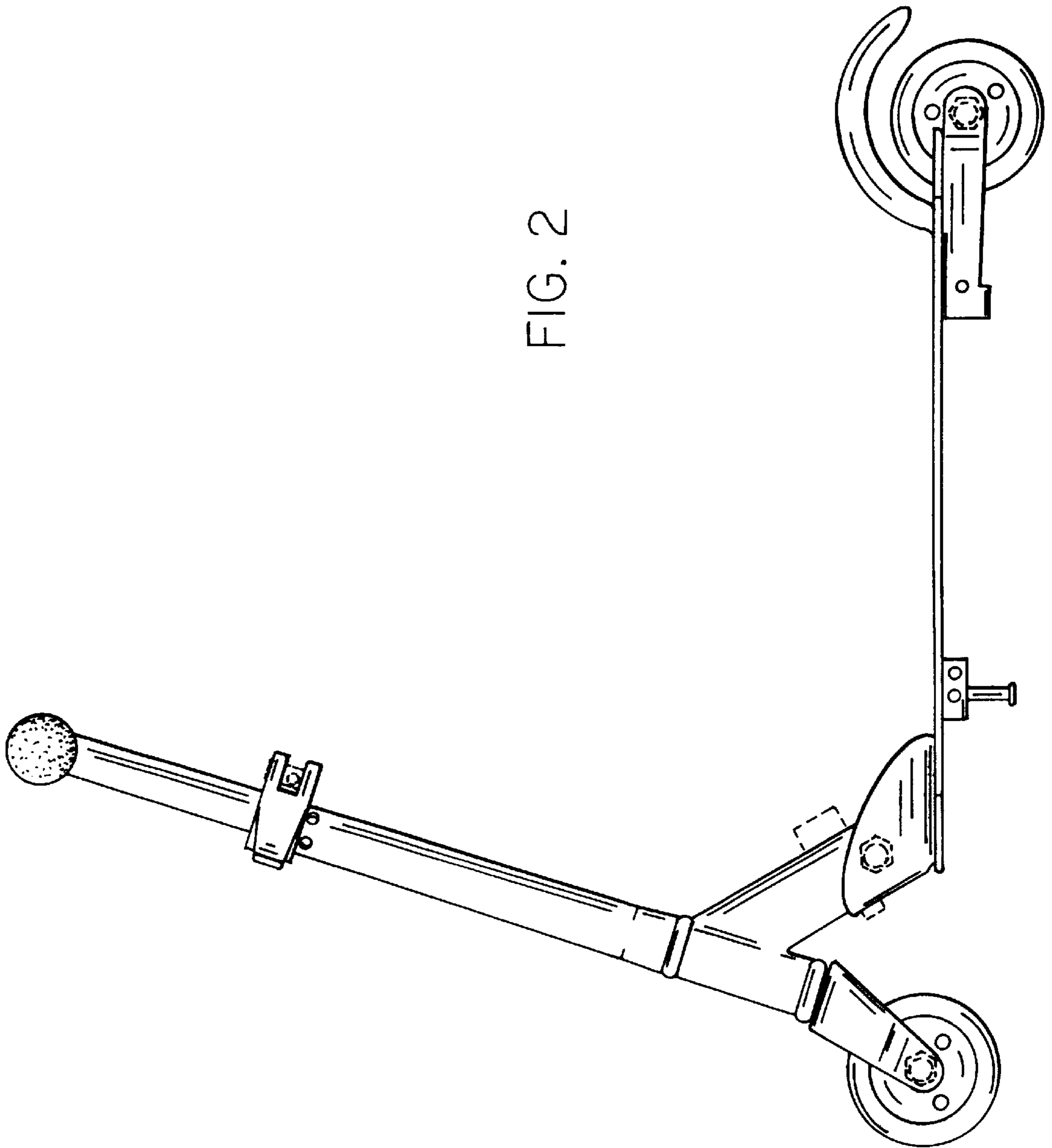


FIG. 2

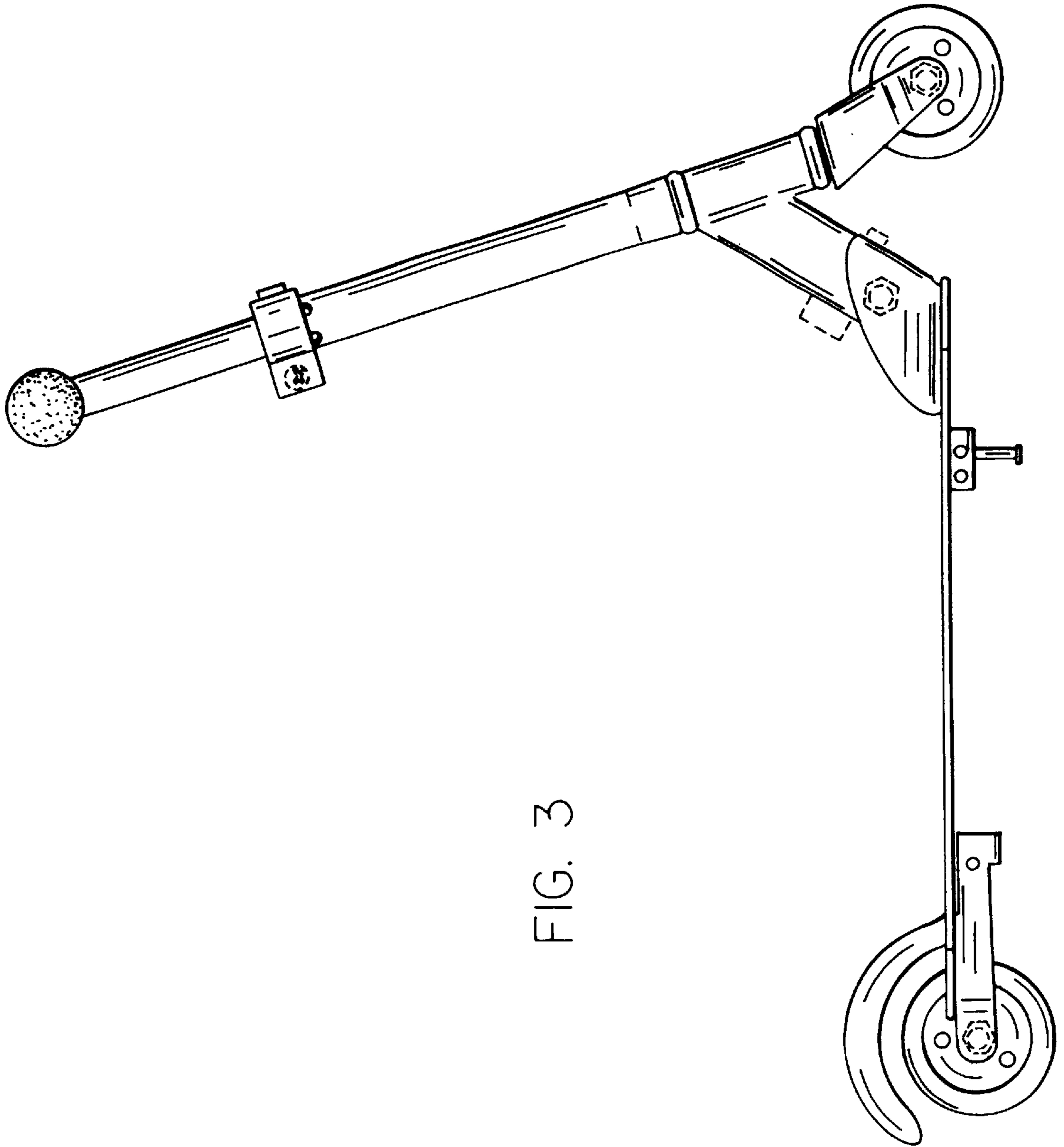


FIG. 3

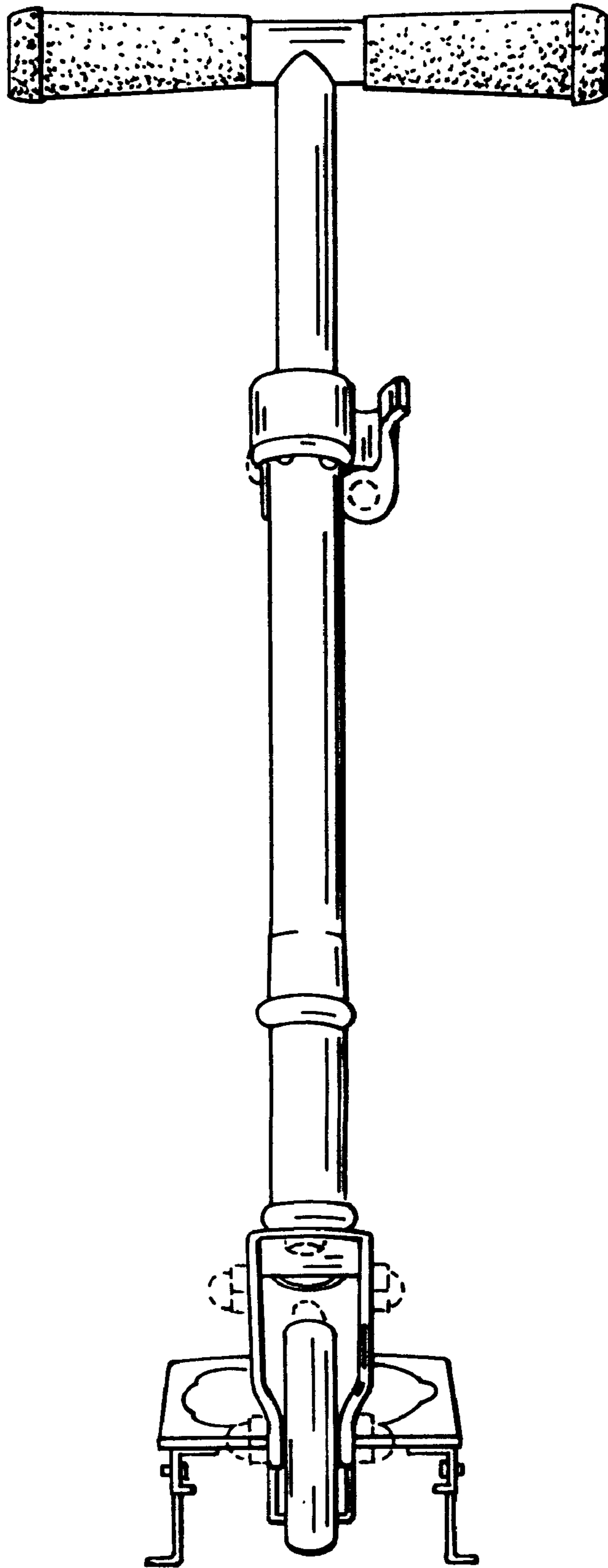


FIG. 4

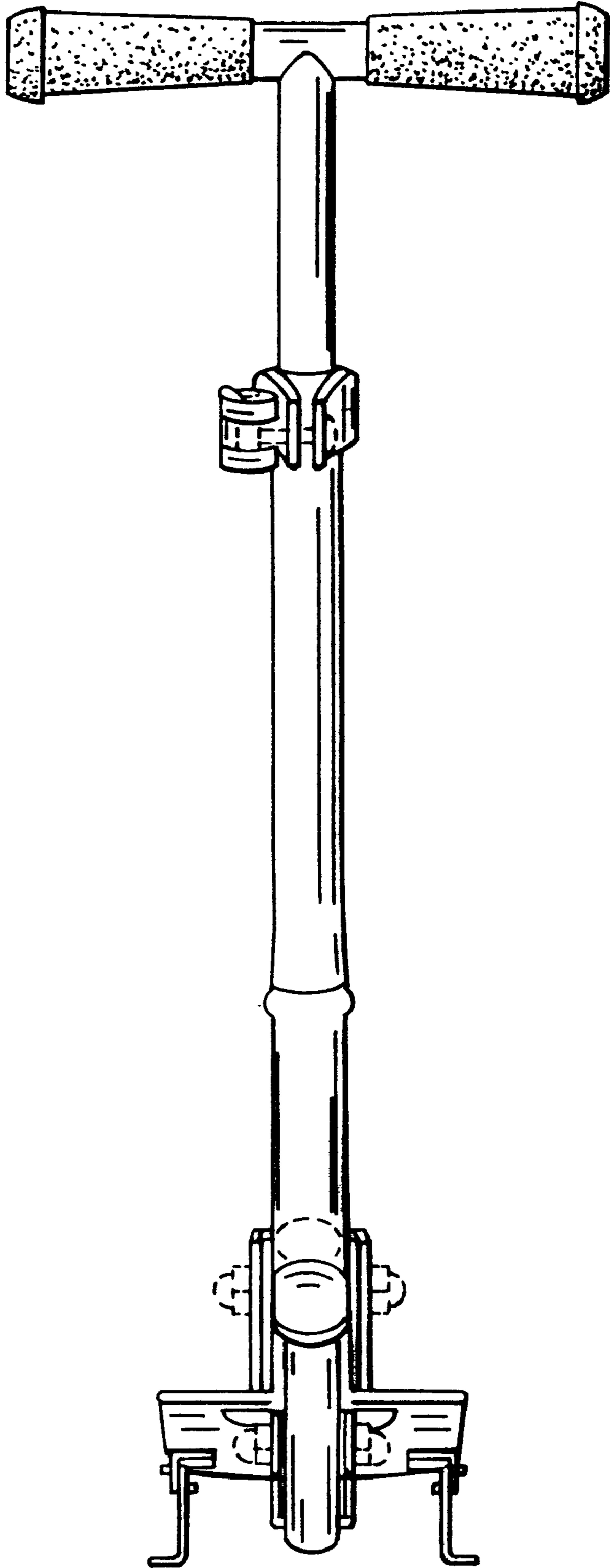


FIG. 5

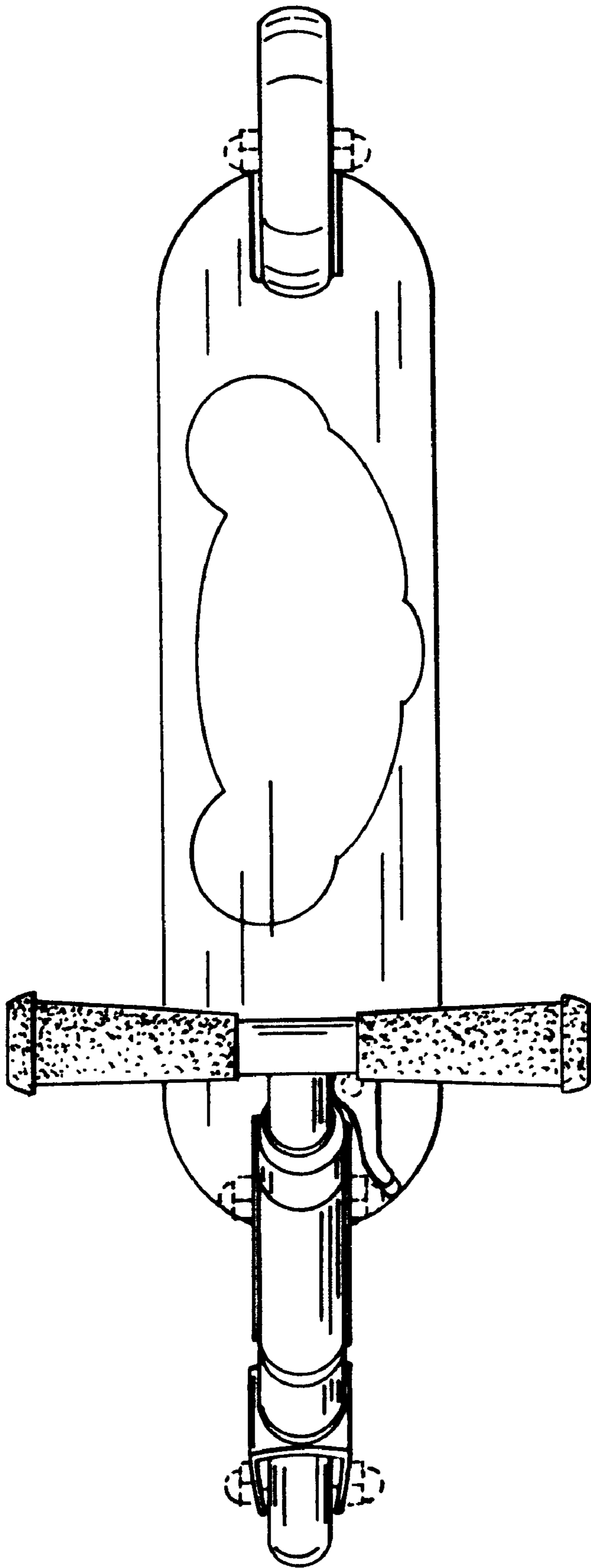


FIG. 6

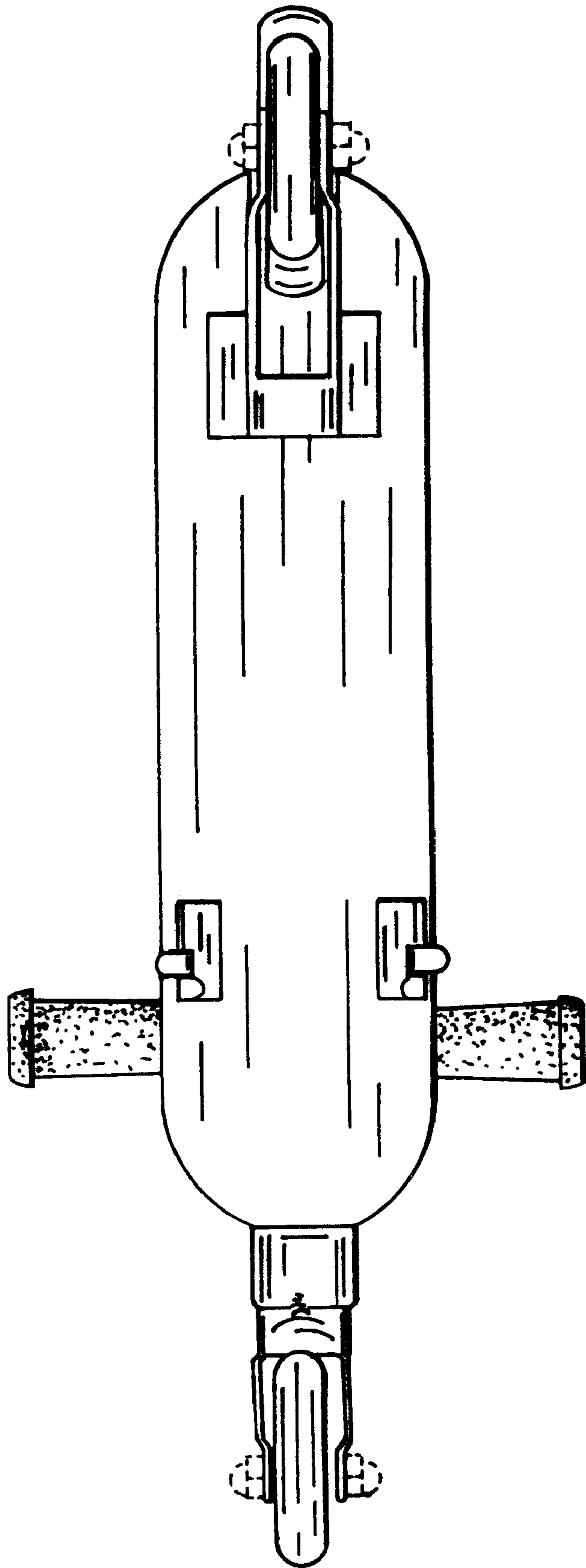


FIG. 7

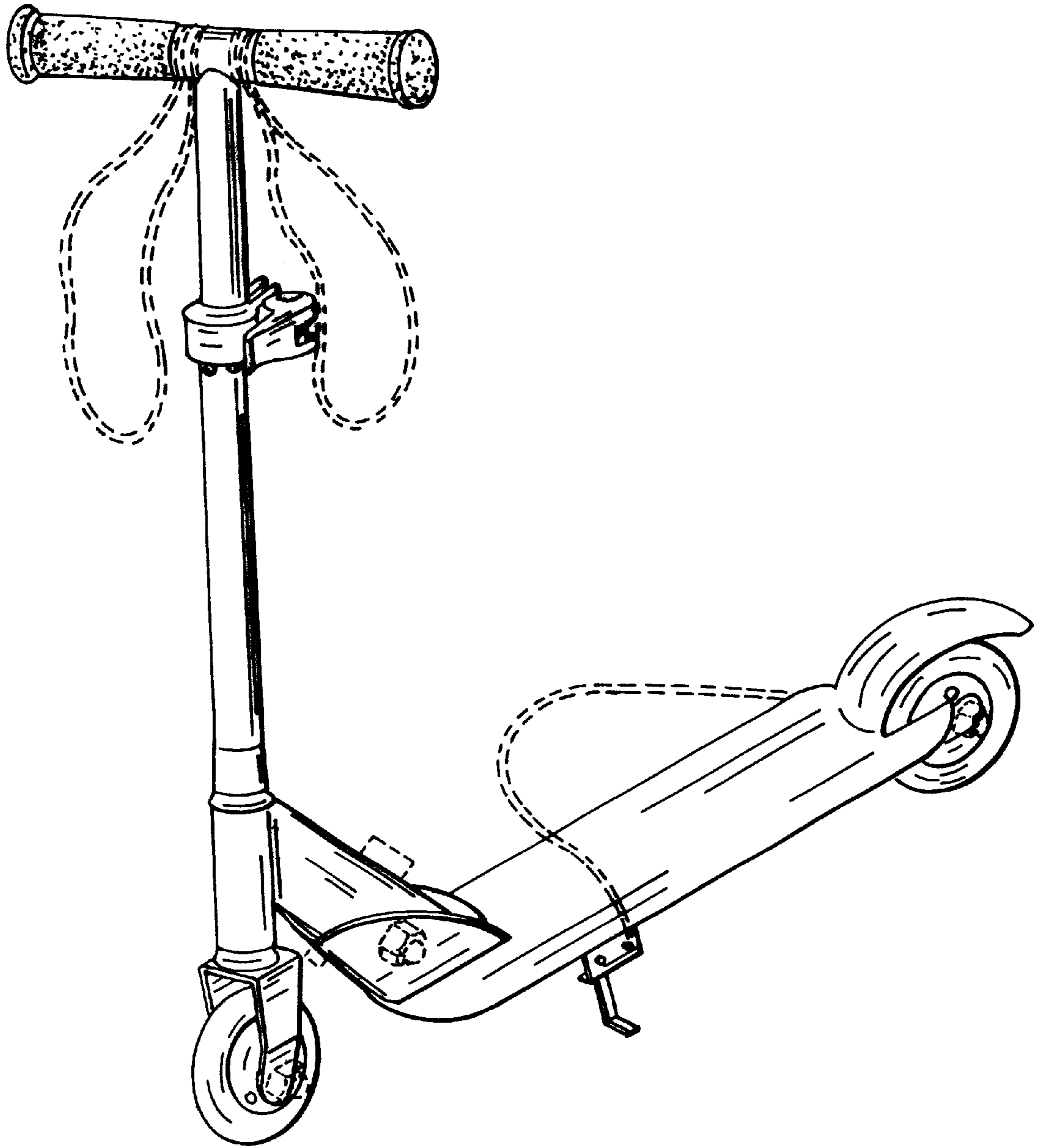


FIG. 8

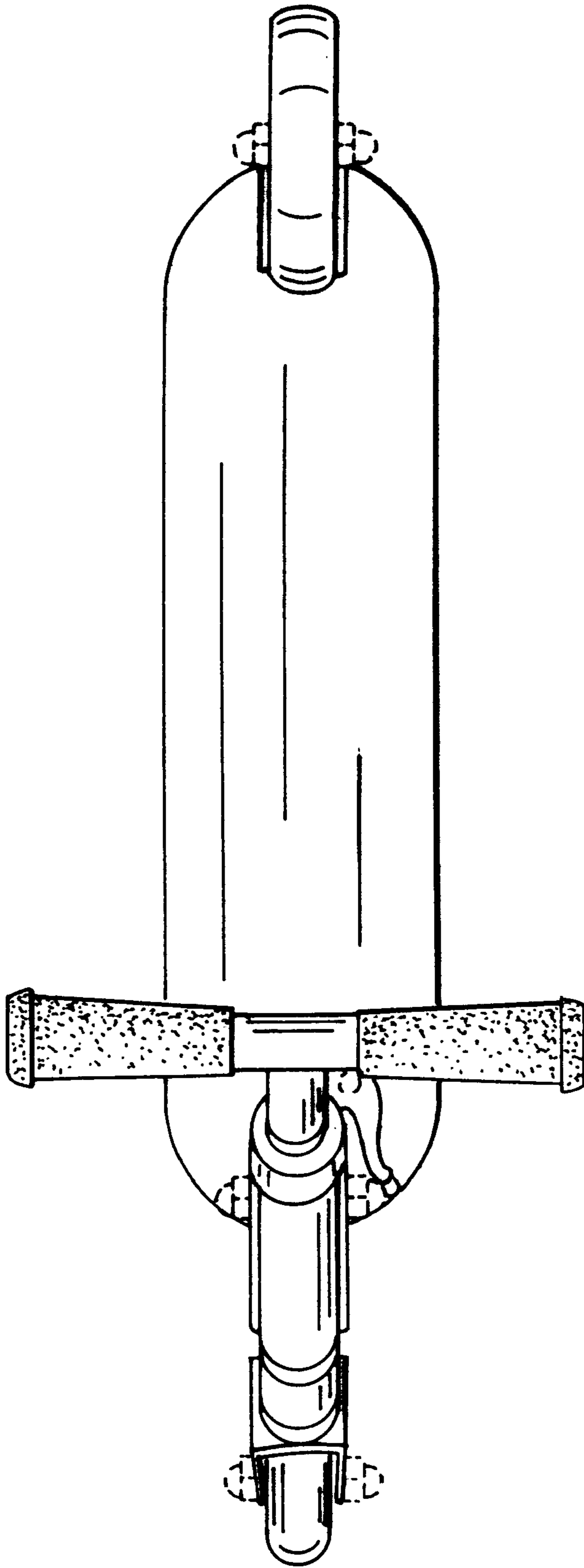


FIG. 9