



US00D467621S

(12) **United States Design Patent**
Ku

(10) **Patent No.:** **US D467,621 S**

(45) **Date of Patent:** **** Dec. 24, 2002**

(54) **HANDHELD ELECTRONIC GAME CASE GRIPPER**

6,171,191 B1 * 1/2001 Ogata et al. 273/148 B
6,241,247 B1 * 6/2001 Sternberg et al. 273/148 B
6,342,009 B1 * 1/2002 Soma 463/47

(76) Inventor: **Man To Ku**, 1263 Oakglen Ave.,
Arcadia, CA (US) 91006

* cited by examiner

(**) Term: **14 Years**

Primary Examiner—Prabhakar Deshmukh
(74) *Attorney, Agent, or Firm*—Raymond Y. Chan; David
and Raymond Patent Group

(21) Appl. No.: **29/147,890**

(22) Filed: **Dec. 10, 2001**

(57) **CLAIM**

(51) **LOC (7) Cl.** **21-01**

The ornamental design for a handheld electronic game case gripper, as shown.

(52) **U.S. Cl.** **D21/333; D14/454**

DESCRIPTION

(58) **Field of Search** D21/324, 333;
D14/400, 401, 412–416, 454; 273/148 B;
963/1, 29–38, 46, 47, 48; 345/156, 161,
905; 200/5 R, 5 A, 6 A, 6 R

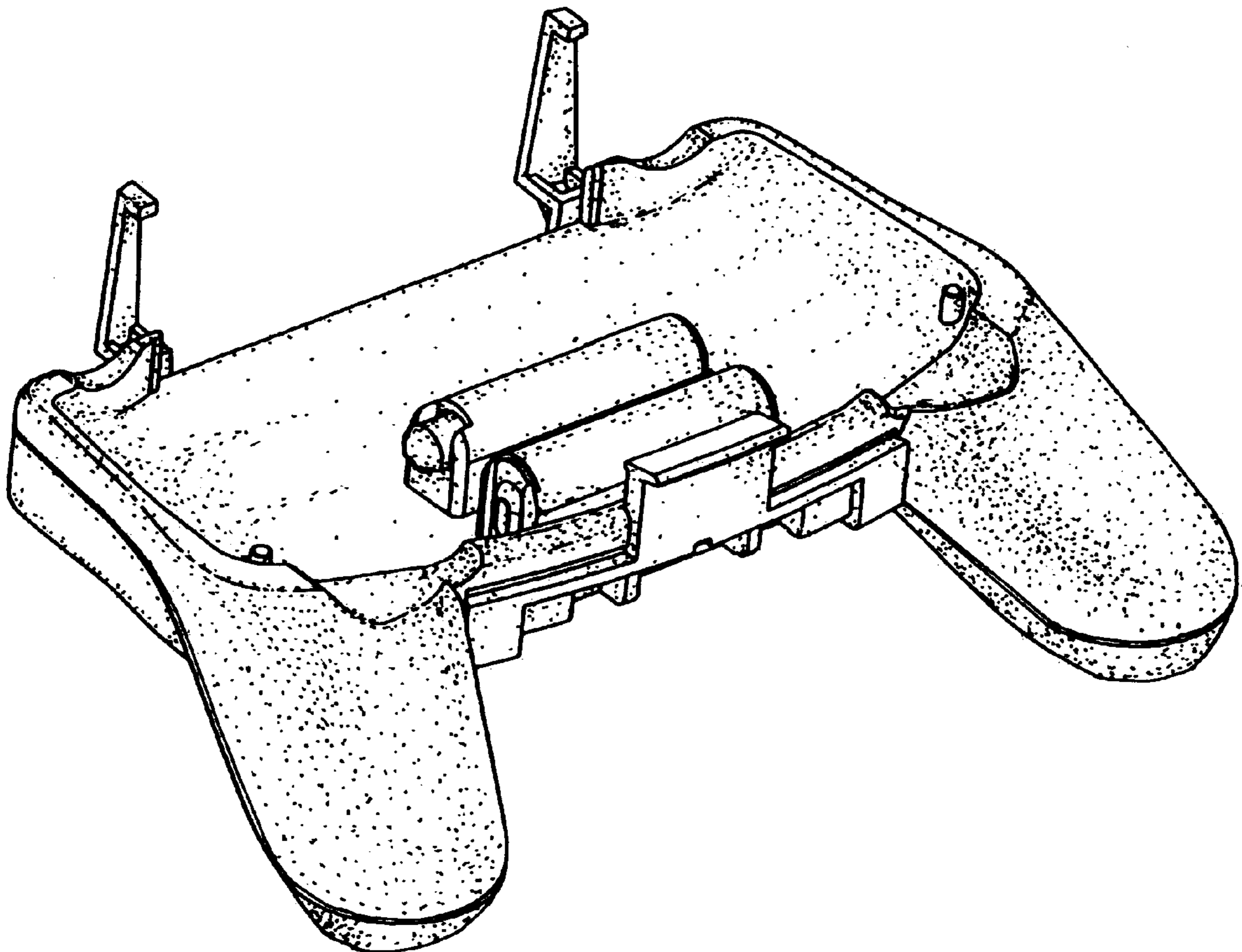
FIG. 1 is a perspective view showing my new design.
FIG. 2 is a front view thereof.
FIG. 3 is a rear view thereof.
FIG. 4 is a right end view thereof.
FIG. 5 is a left end view thereof.
FIG. 6 is a top view thereof.
FIG. 7 is a bottom view thereof; and,
FIG. 8 is a bottom perspective view thereof.

(56) **References Cited**

U.S. PATENT DOCUMENTS

5,046,739 A * 9/1991 Reichow 273/148 B
D338,053 S * 8/1993 Underbill et al. D14/454
D367,295 S * 2/1996 Hsieh D14/454
D393,015 S * 3/1998 Kaneko et al. D14/454

1 Claim, 8 Drawing Sheets



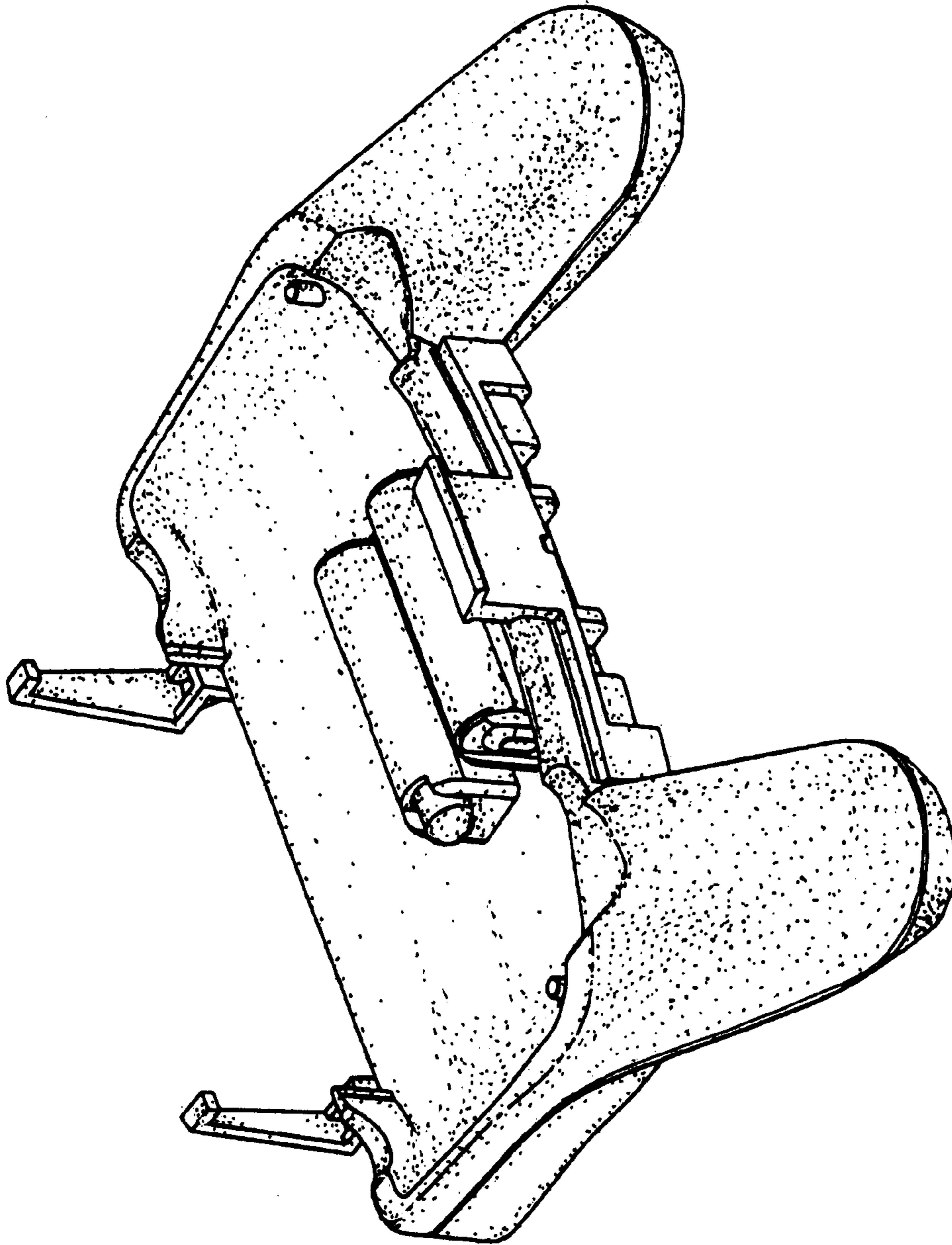


FIG. 1

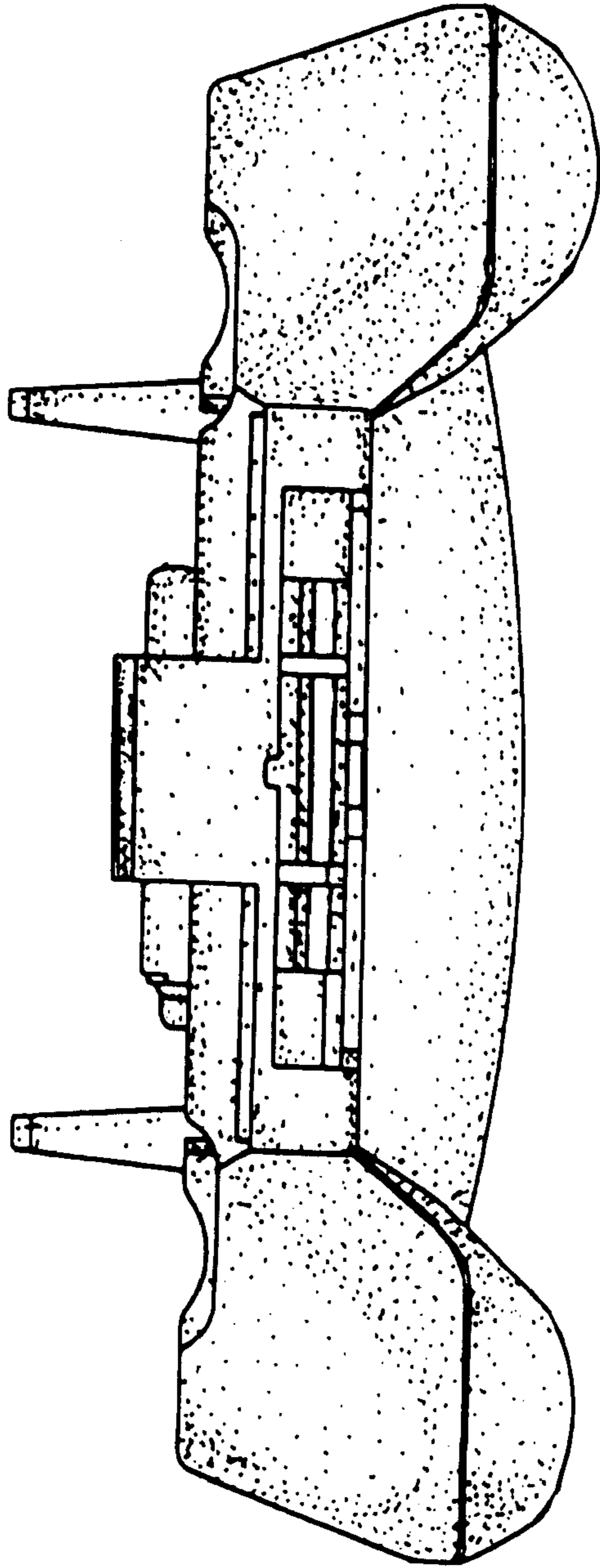


FIG. 2

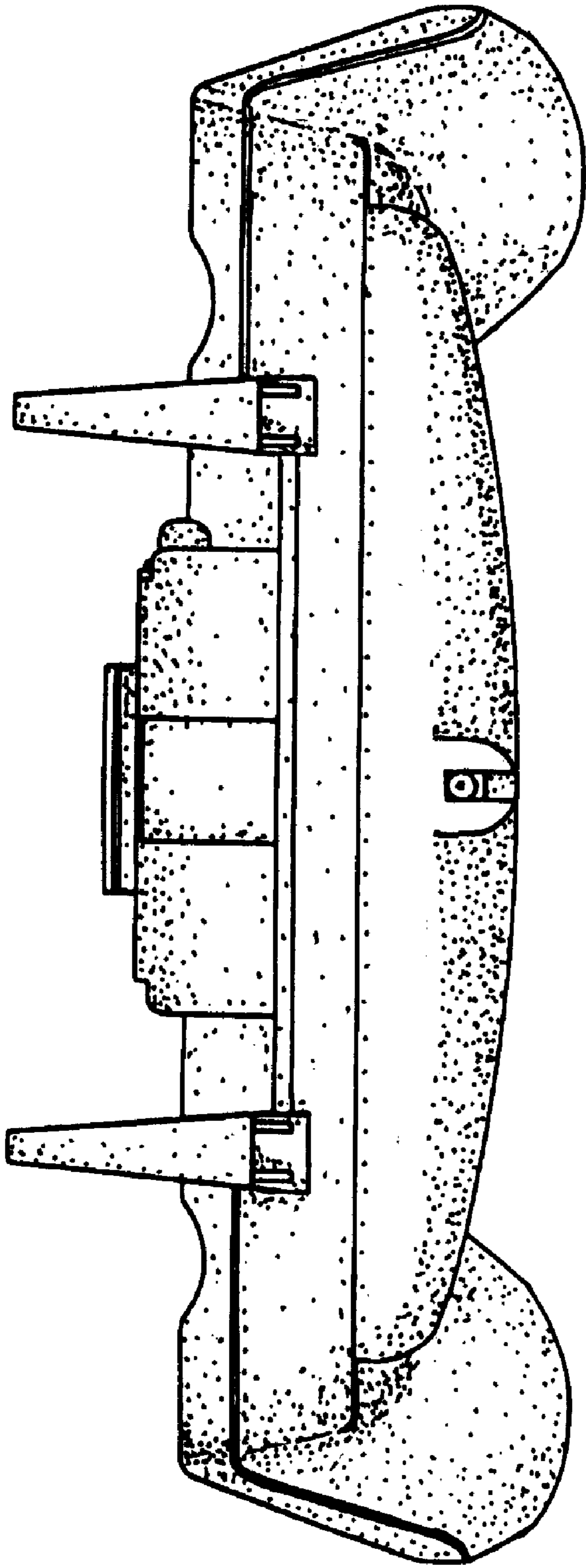


FIG. 3

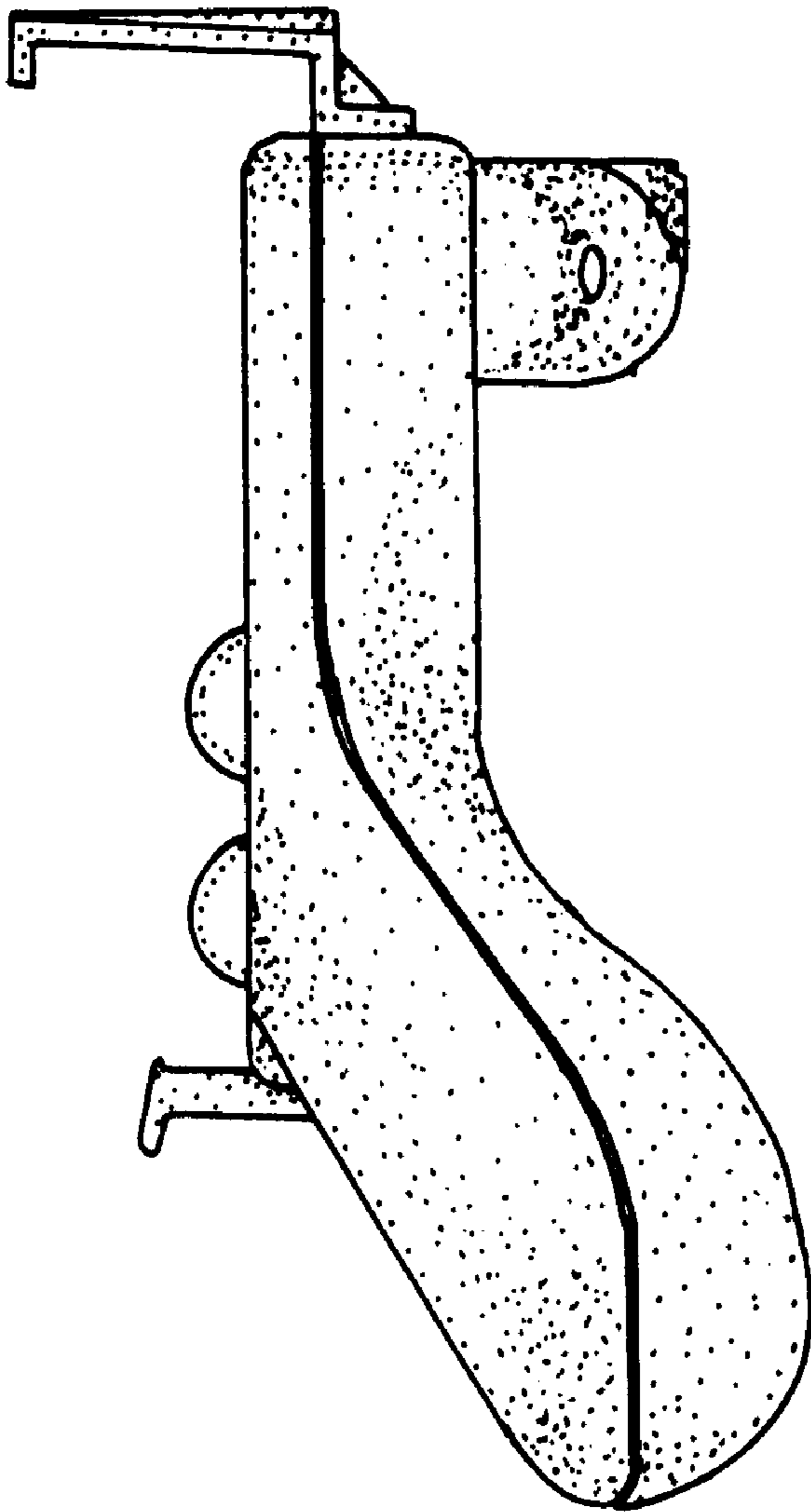


FIG. 4

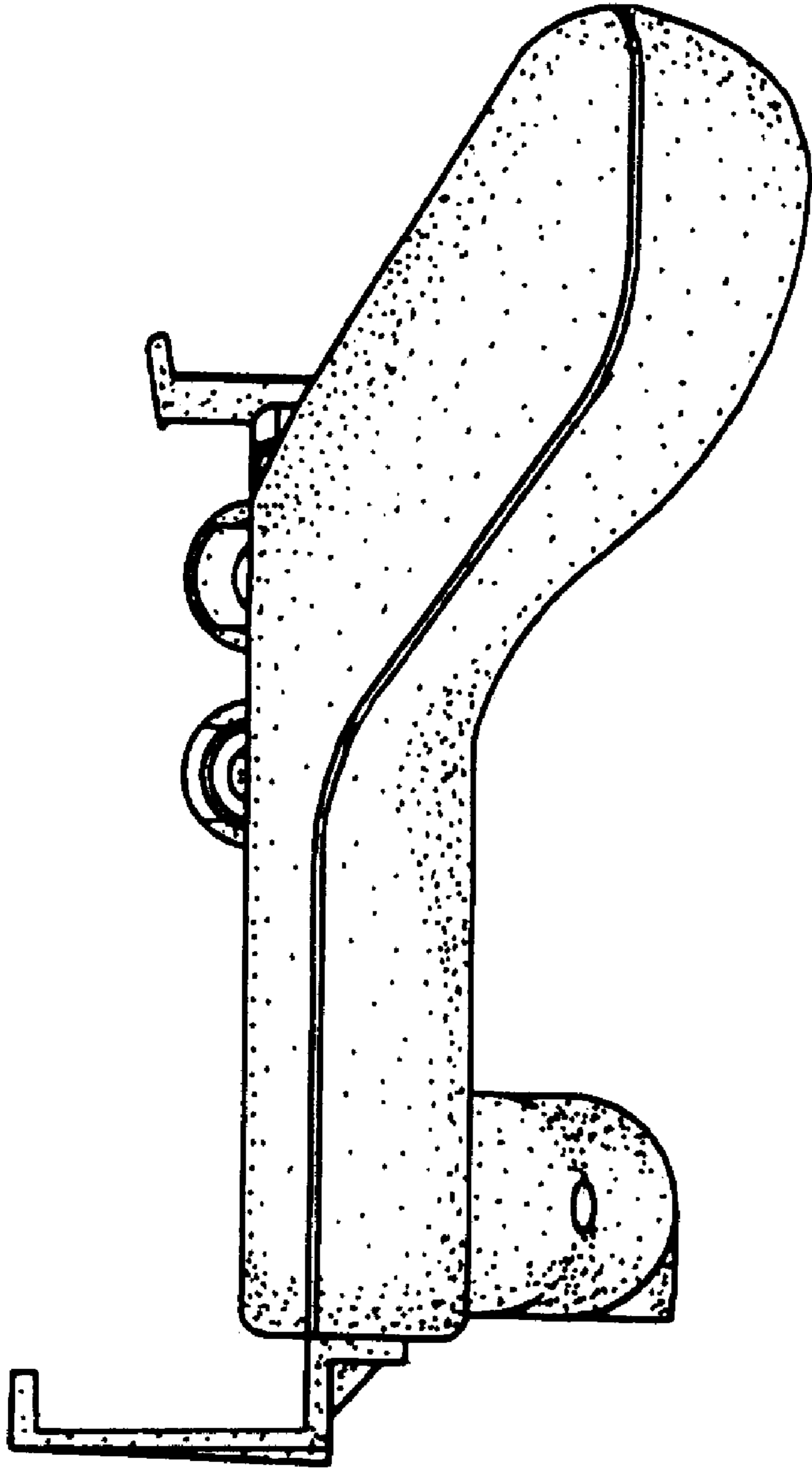


FIG. 5

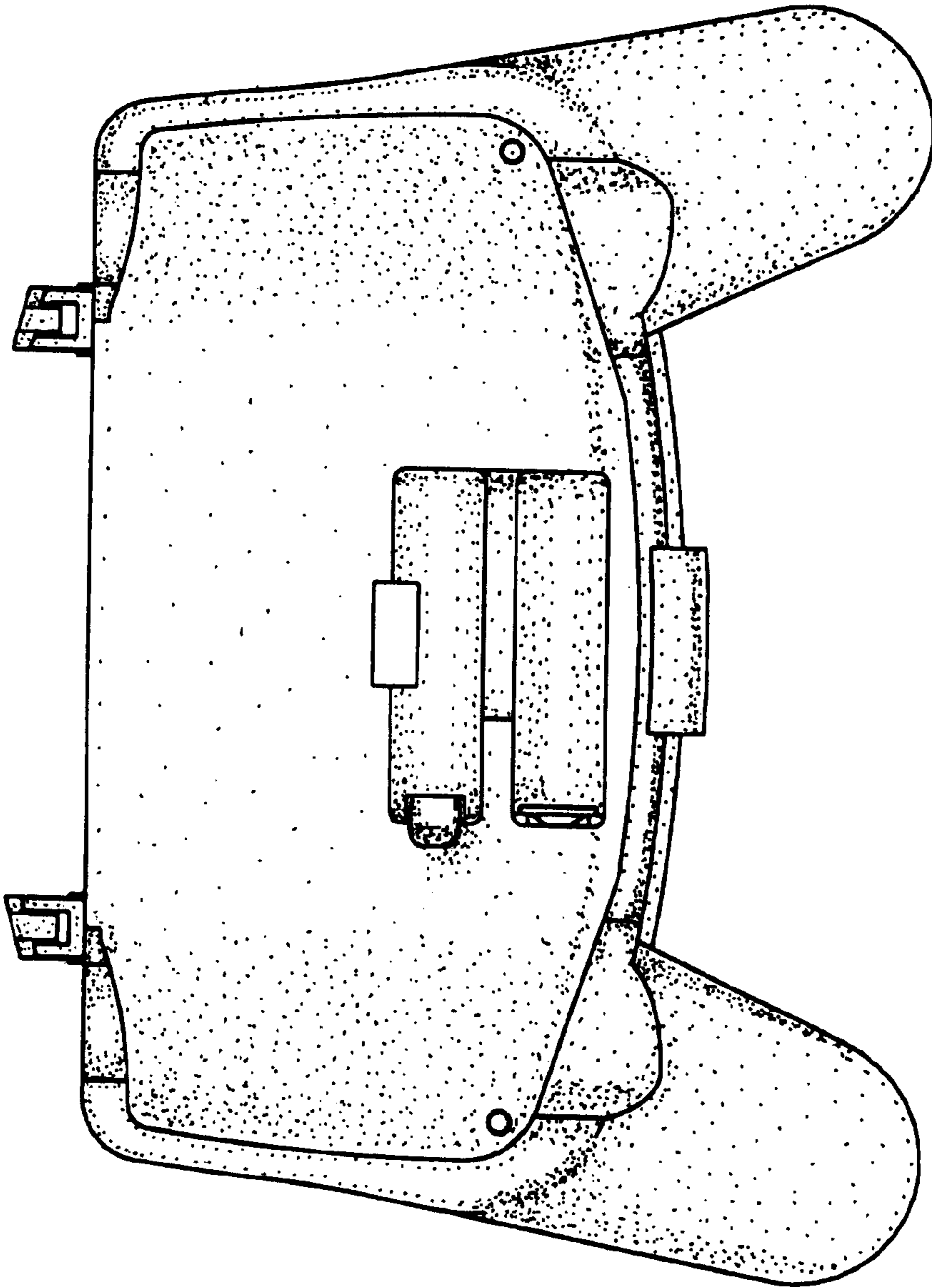


FIG. 6

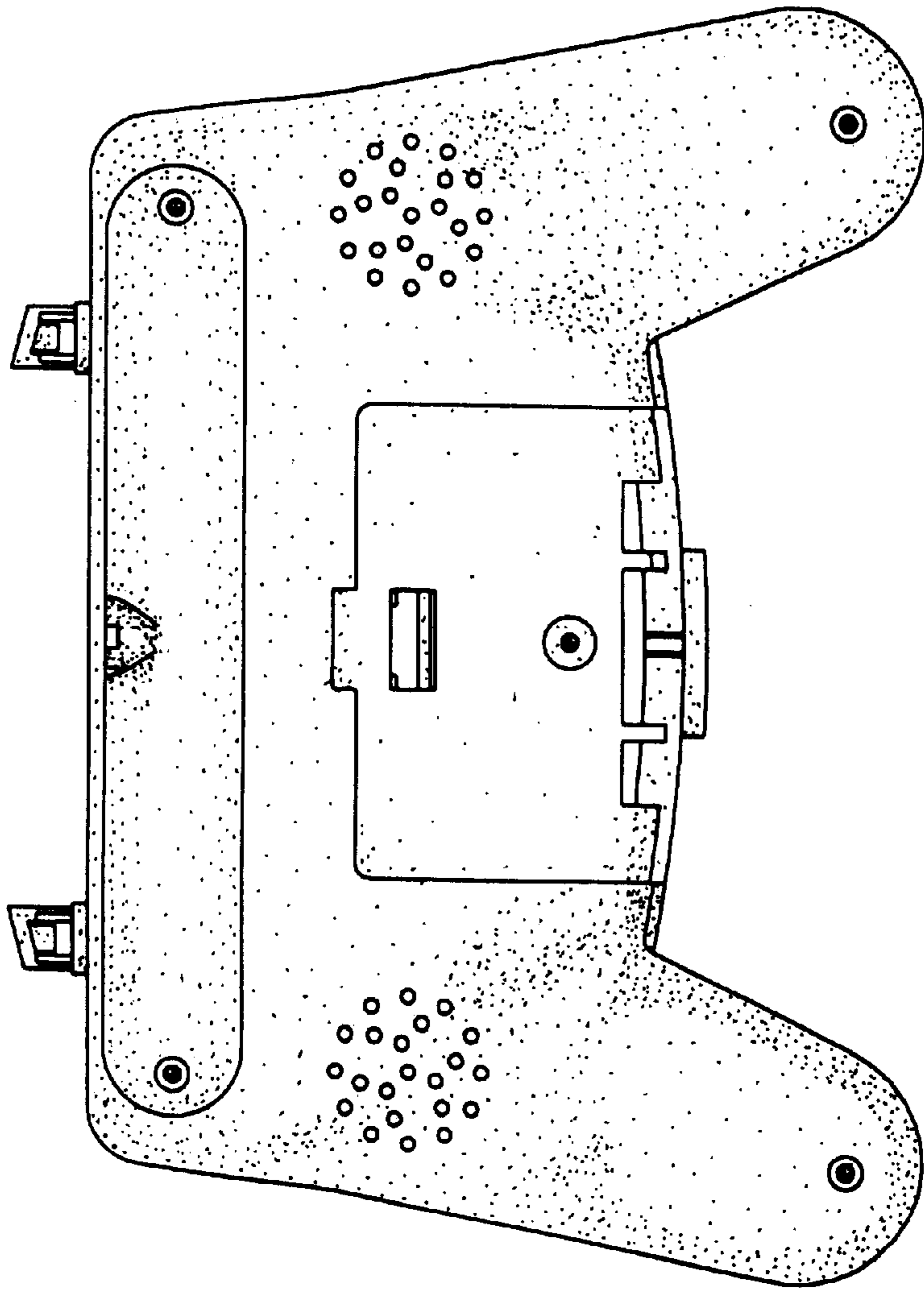


FIG. 7

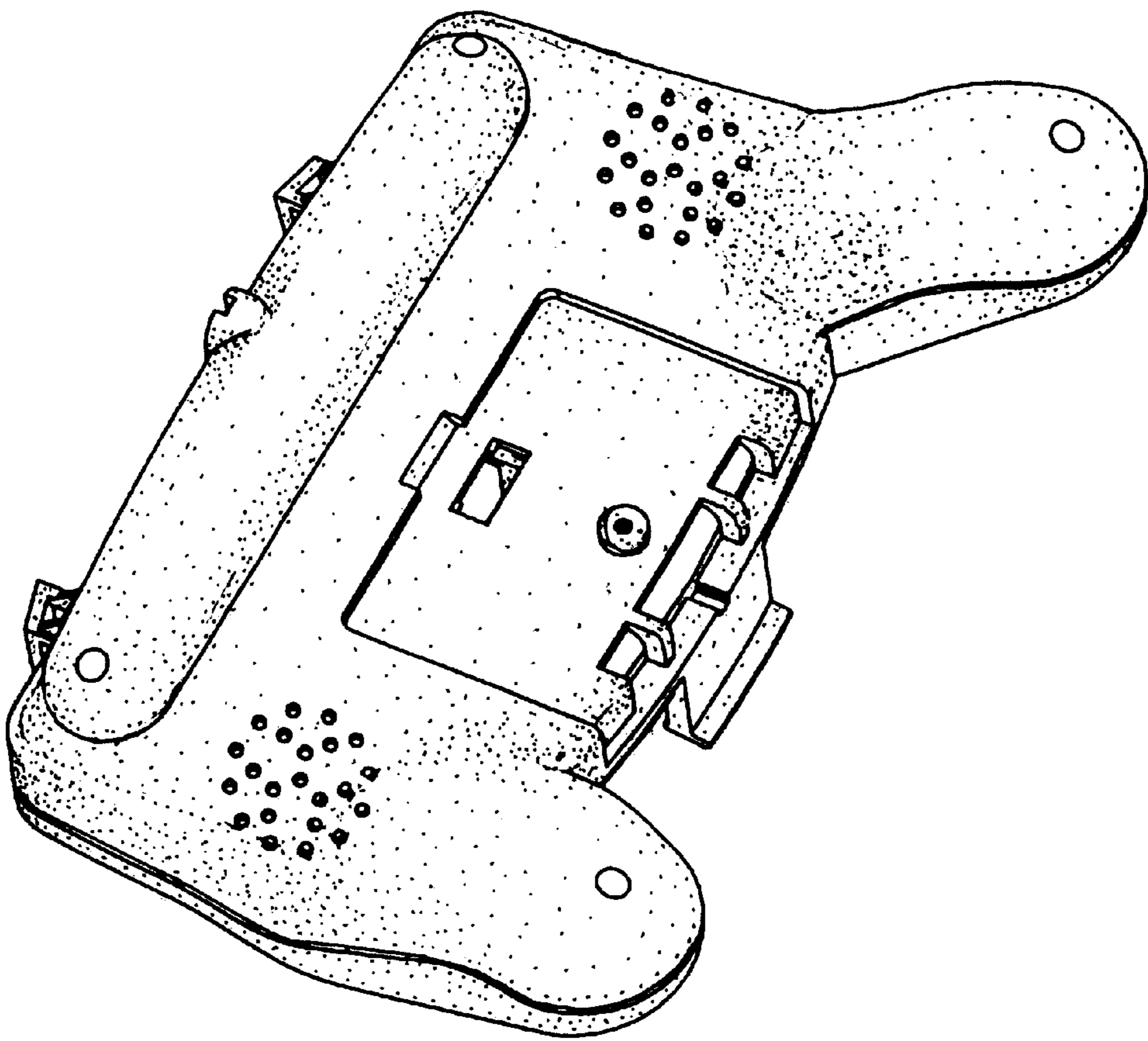


FIG. 8