



US00D467619S

(12) **United States Design Patent**
Fullalove

(10) **Patent No.:** **US D467,619 S**

(45) **Date of Patent:** **** Dec. 24, 2002**

(54) **DRESS FORM**

D277,397 S * 1/1985 Arthur D20/31
D330,918 S * 11/1992 Tranquilli D20/31

(75) Inventor: **Kenneth Henry Fullalove**, Bath Avon
(GB)

* cited by examiner

(73) Assignee: **Adjustoform Products Ltd.**, Ashford
(GB)

Primary Examiner—Jennifer Rivard

(74) *Attorney, Agent, or Firm*—Clark & Brody

(**) Term: **14 Years**

(57) **CLAIM**

(21) Appl. No.: **29/139,764**

I claim the ornamental design for a dress form, as shown and described.

(22) Filed: **Apr. 6, 2001**

DESCRIPTION

Related U.S. Application Data

(62) Division of application No. 29/089,396, filed on Jun. 12, 1998, now Pat. No. Des. 444,818.

FIG. 1 is a perspective view of a dress form, showing my new design.

FIG. 2 is a rear view thereof;

FIG. 3 is a right side view thereof;

FIG. 4 is a left side view thereof;

FIG. 5 is a top view thereof;

FIG. 6 is a bottom view thereof;

FIG. 7 is a front perspective view showing the dress form partially open; and,

FIG. 8 is an enlarged view of the adjustor of the dress form.

The broken line immediately adjacent the adjustor represents the bounds of the claims and all other broken lines are for illustrative purposes only. None of the broken lines form a part of the claimed design.

(51) **LOC (7) Cl.** **20-01**

(52) **U.S. Cl.** **D20/31**

(58) **Field of Search** 223/66, 67, 68,
223/69; D20/10, 29, 31, 32; 40/538

(56) **References Cited**

U.S. PATENT DOCUMENTS

1,221,522 A * 4/1917 Farquharson 223/68
D217,195 S * 4/1970 Burrell D20/32
D242,092 S * 11/1976 Levin D20/31

1 Claim, 5 Drawing Sheets

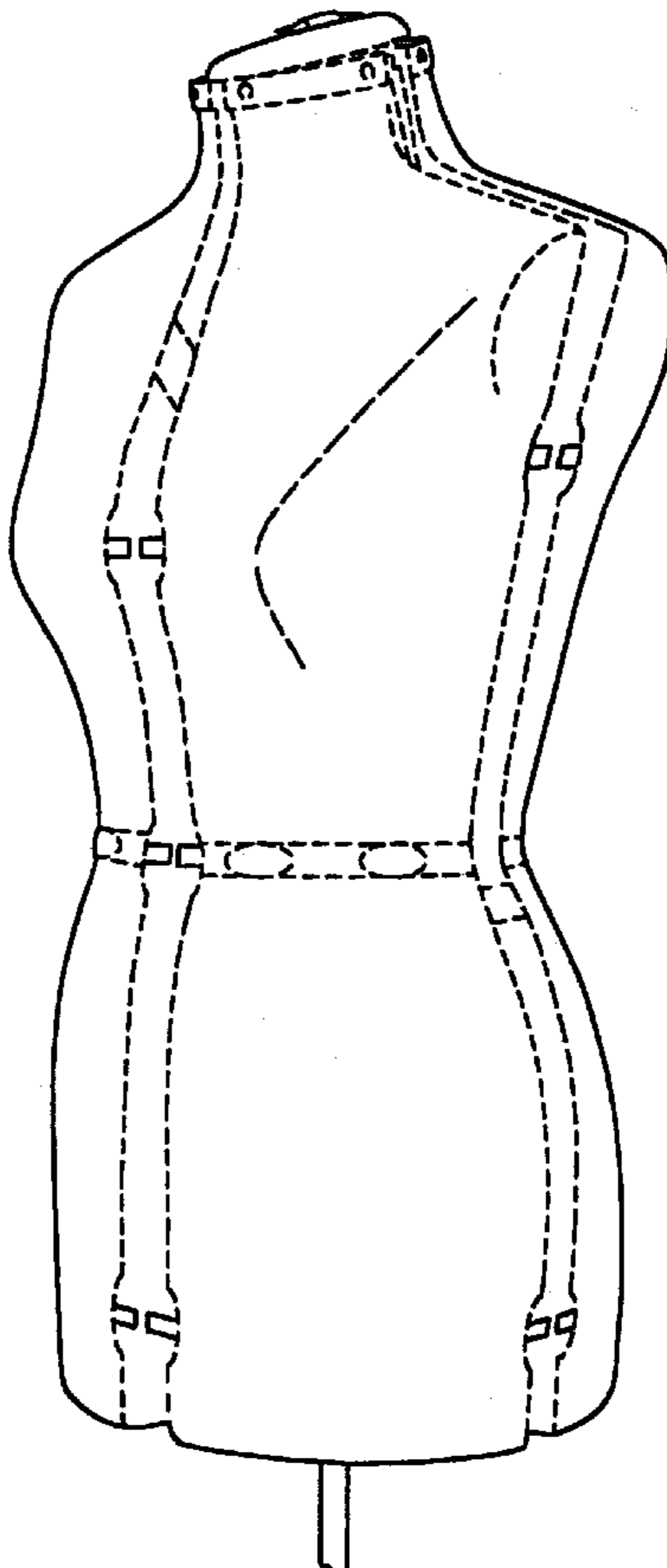


FIG. 1

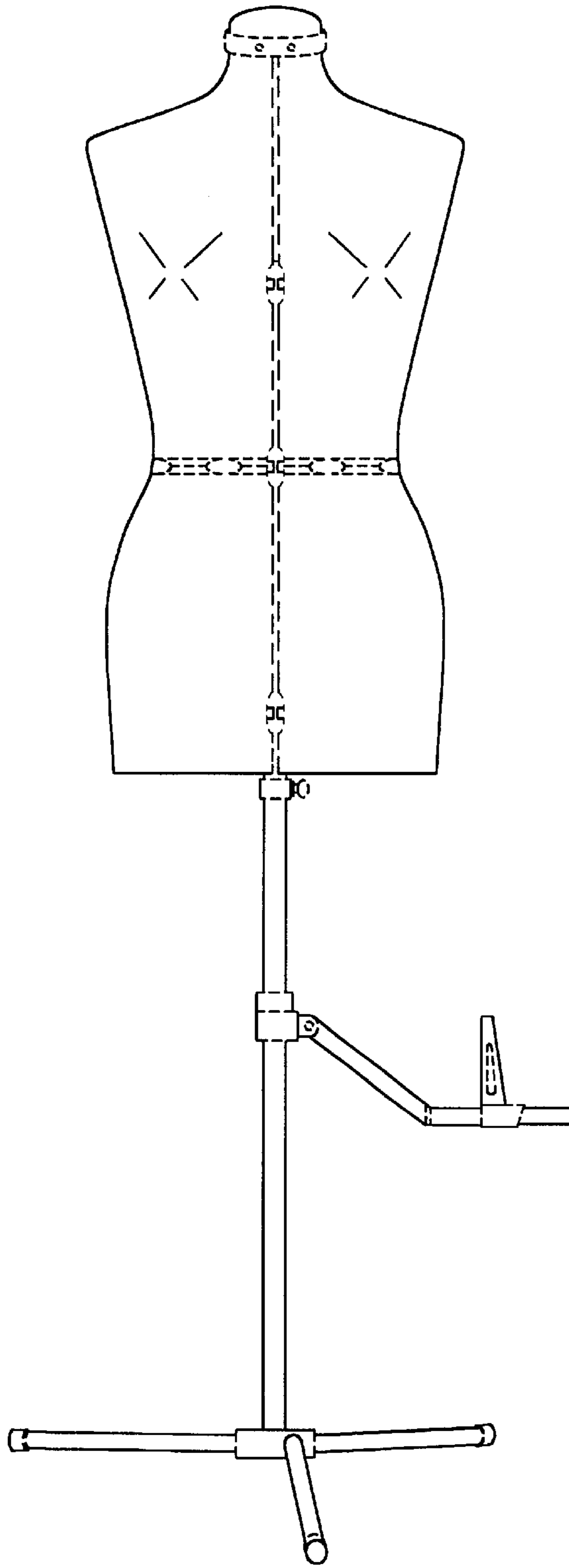


FIG. 2

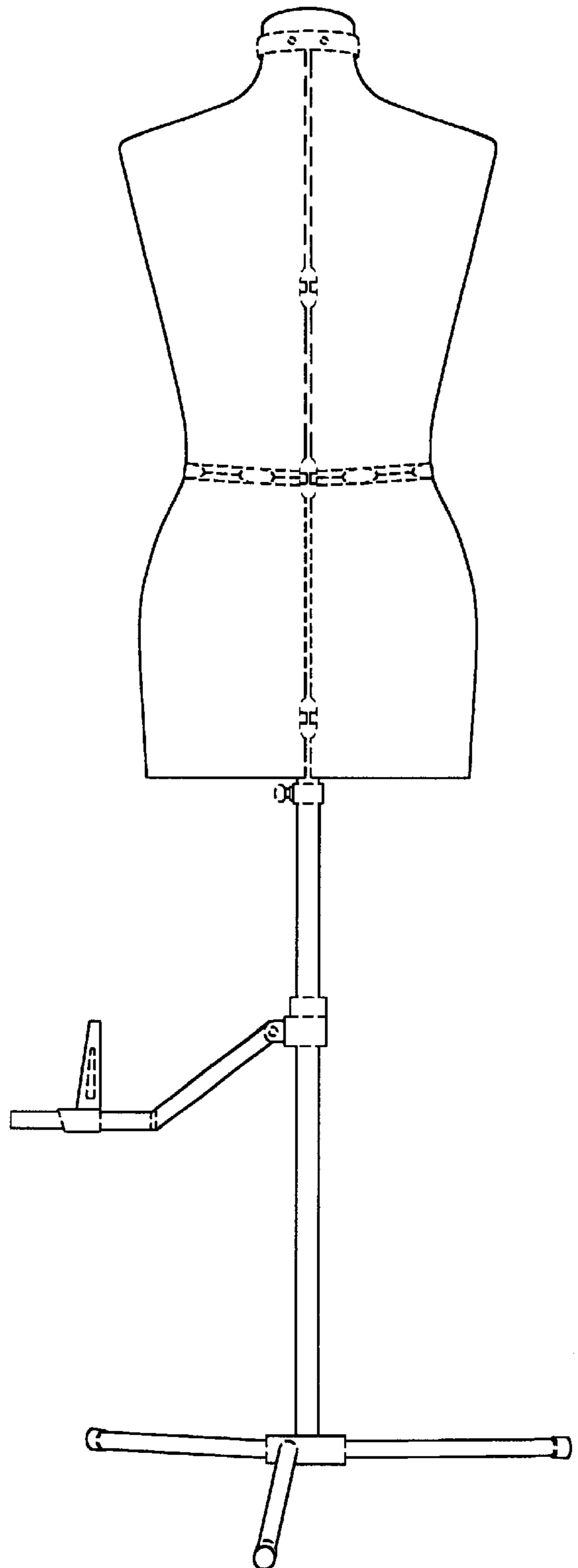


FIG. 3

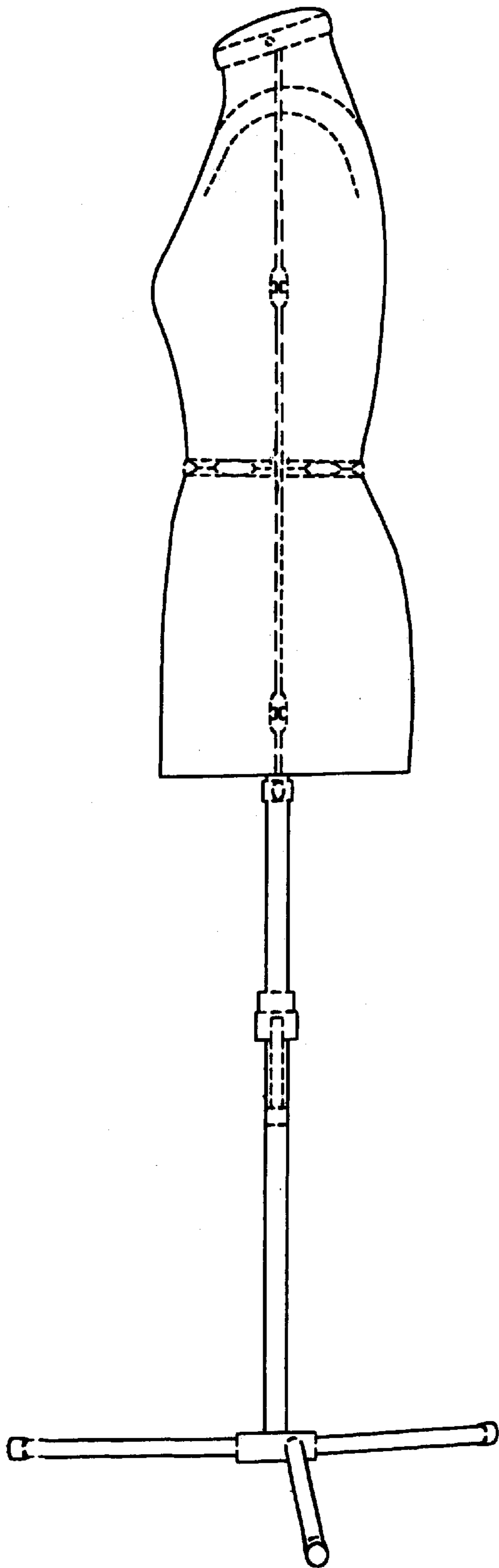


FIG. 4

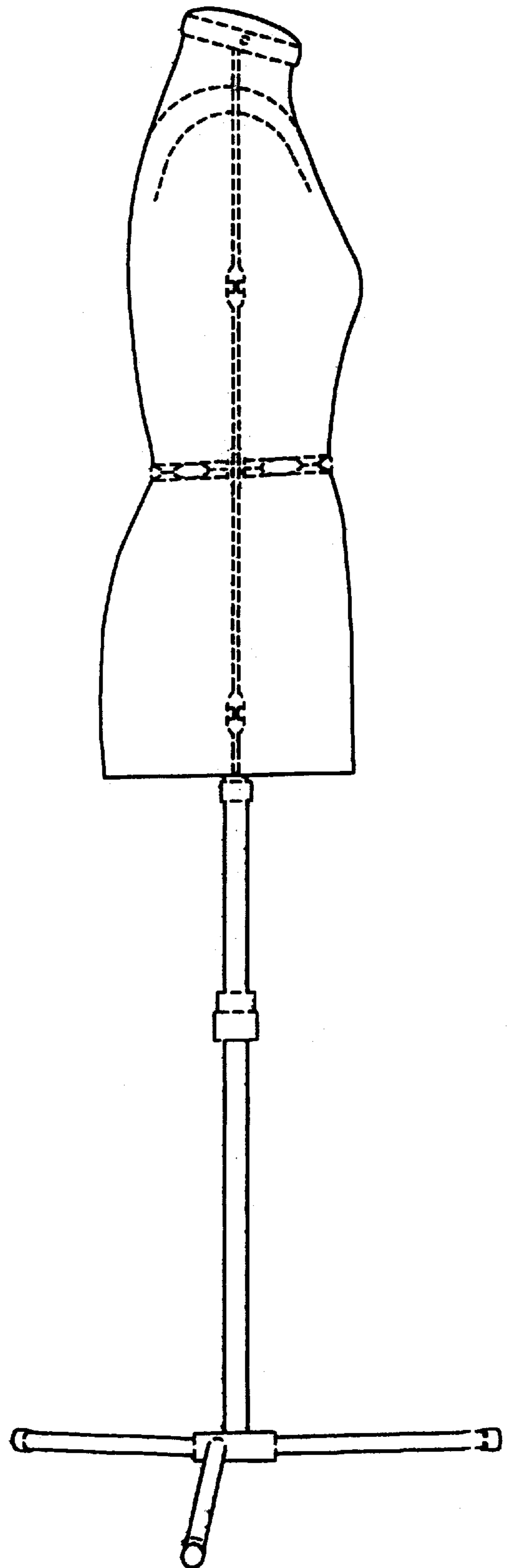


FIG. 5

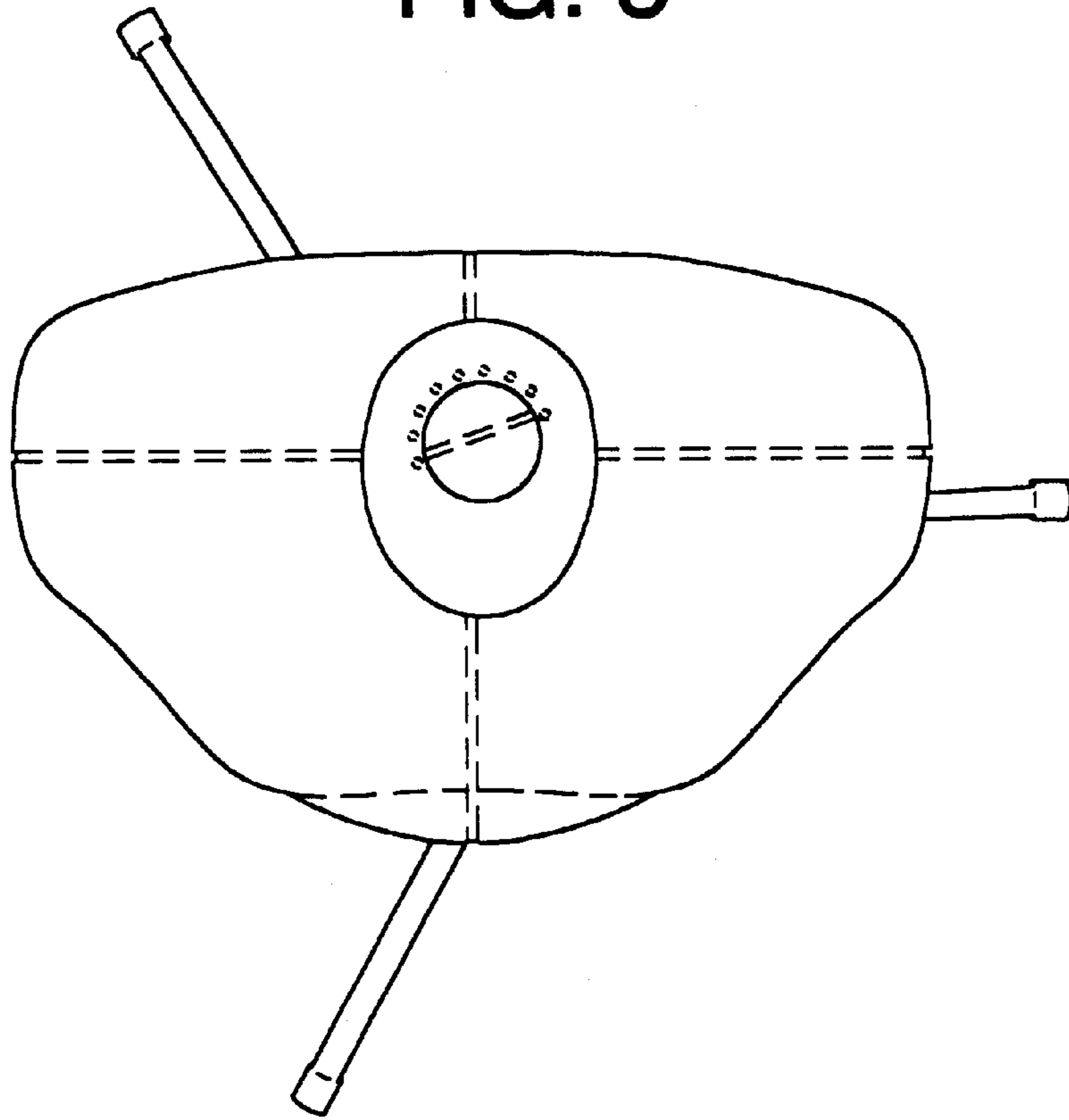


FIG. 6

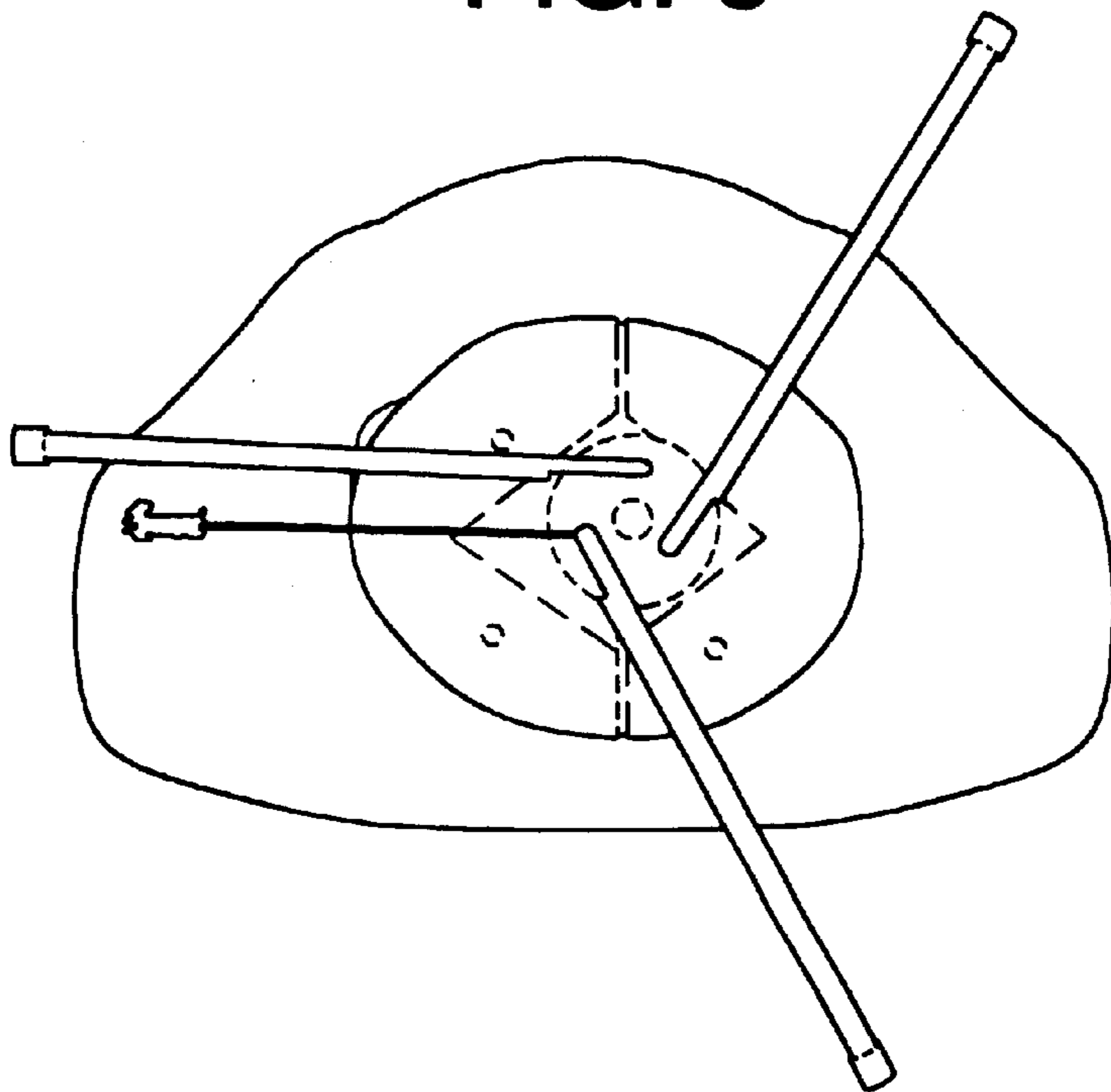


FIG. 7

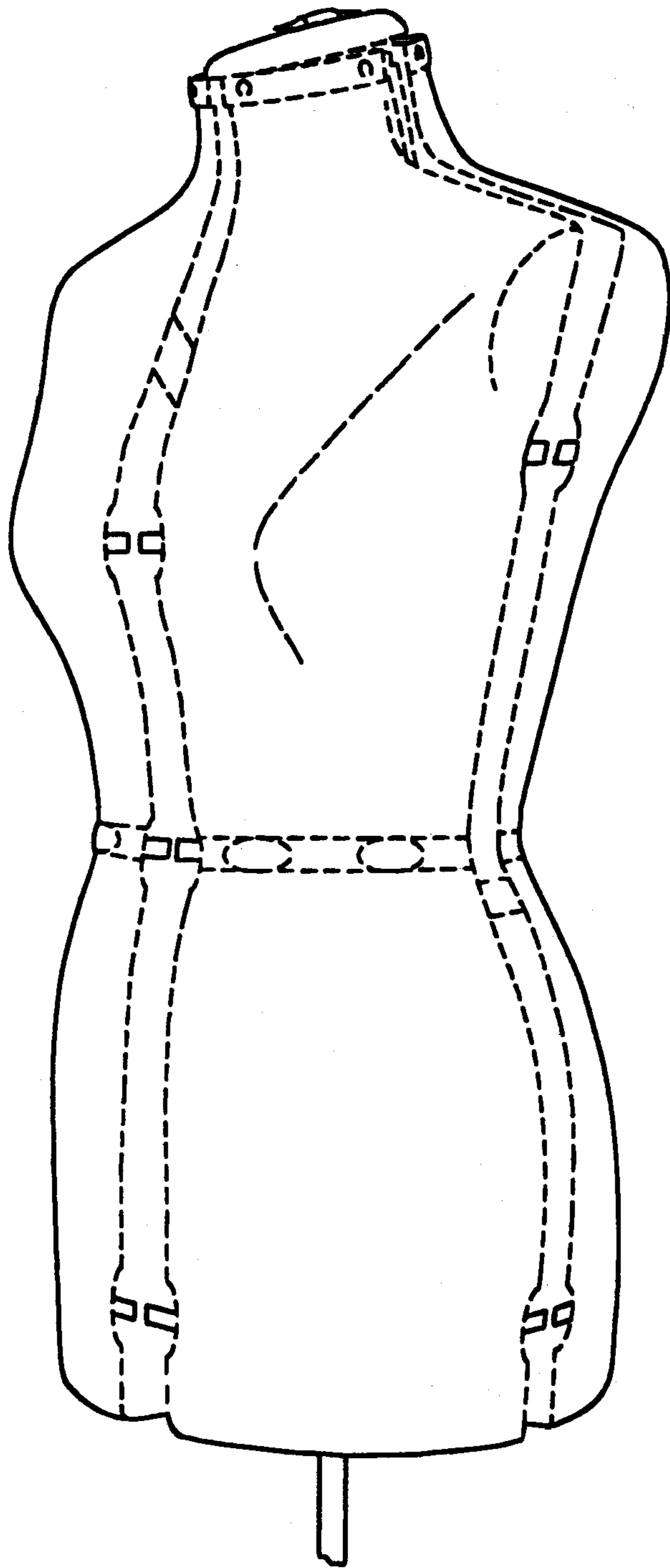


FIG. 8

