



US00D467616S

(12) **United States Design Patent**
Holland

(10) **Patent No.:** **US D467,616 S**

(45) **Date of Patent:** **** Dec. 24, 2002**

(54) **CLIP**

(75) **Inventor:** **Jason S. Holland**, Raleigh, NC (US)

(73) **Assignee:** **Adstracts, Inc.**, Raleigh, NC (US)

(**) **Term:** **14 Years**

(21) **Appl. No.:** **29/157,592**

(22) **Filed:** **Mar. 21, 2002**

(51) **LOC (7) Cl.** **19-02**

(52) **U.S. Cl.** **D19/65; D19/86; D19/90;**
D8/395

(58) **Field of Search** **D8/394, 395; D19/65,**
D19/75, 78, 86, 90, 91, 99, 100; 24/67 R,
67.1-67.5, 67.7, 67.9, 67.11, 455, 499,
501, 509, 510; 281/45

(56) **References Cited**

U.S. PATENT DOCUMENTS

1,671,725	A	*	5/1928	Jones	24/67.5
3,404,435	A	*	10/1968	Freundlich	24/67.9
3,833,970	A	*	9/1974	Smith, Jr.	24/67.5
D266,858	S	*	11/1982	Cole	D19/90
D391,151	S	*	2/1998	Berman	D8/395
5,897,934	A	*	4/1999	Yeh	281/45
D424,114	S	*	5/2000	Isaacs et al.	D19/65

D452,377 S * 12/2001 Cooke et al. D8/395 X
D454,056 S * 3/2002 Kung D19/65 X

* cited by examiner

Primary Examiner—Martie K. Holtje

(74) *Attorney, Agent, or Firm*—Myers Bigel Sibley & Sajovec

(57) **CLAIM**

The ornamental design for a clip, as shown and described.

DESCRIPTION

FIG. 1 is a perspective view of a clip, showing my new design;

FIG. 2 is a top plan view thereof;

FIG. 3 is a bottom plan view thereof;

FIG. 4 is a front elevational view thereof;

FIG. 5 is a rear elevational view thereof;

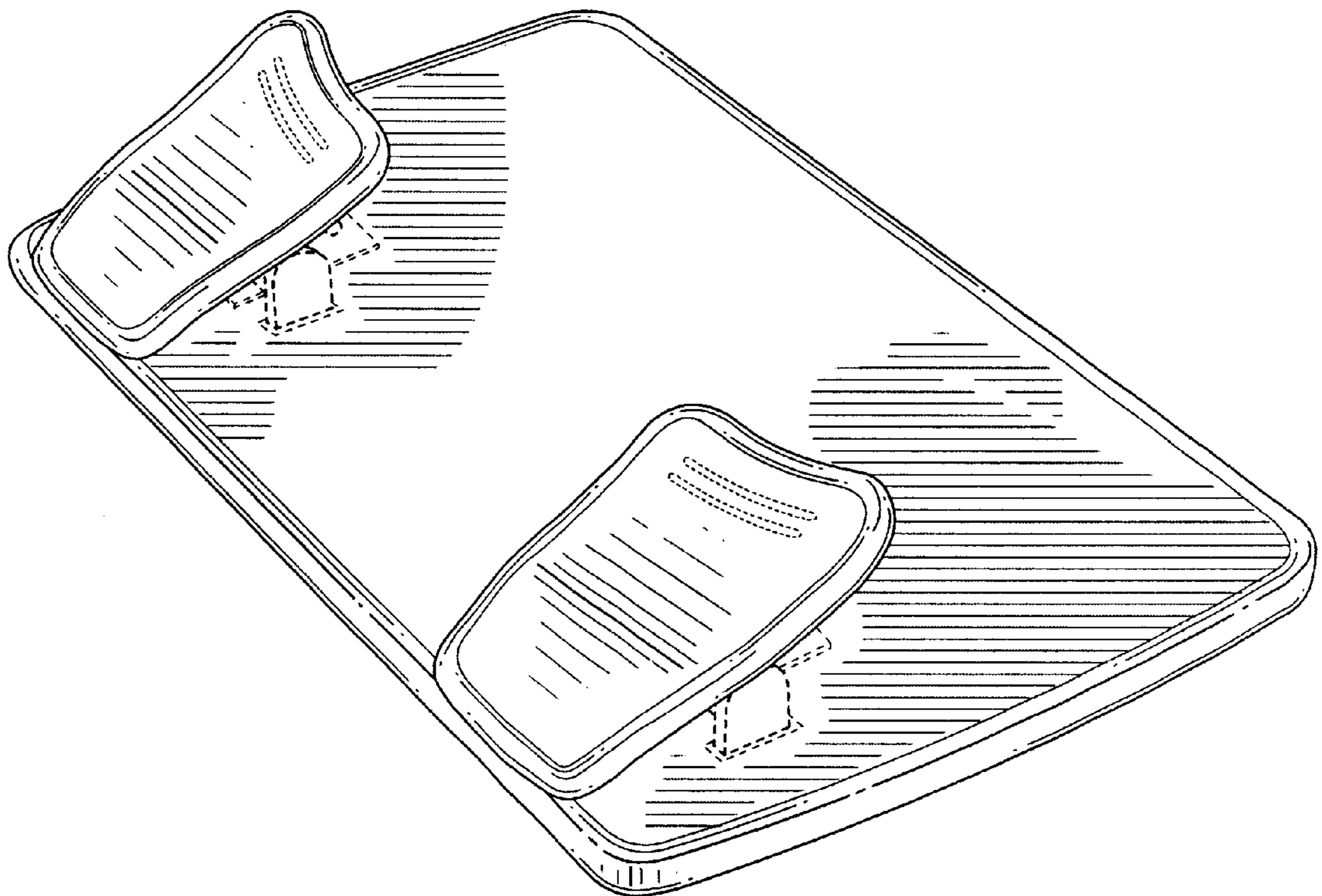
FIG. 6 is a side elevational view thereof;

FIG. 7 is a side elevational view thereof, opposite that shown in FIG. 6; and,

FIG. 8 is a perspective view of the clip of FIG. 1 shown in its environment.

The broken lines shown herein are for illustrative purposes only and form no part of the claimed design.

1 Claim, 4 Drawing Sheets



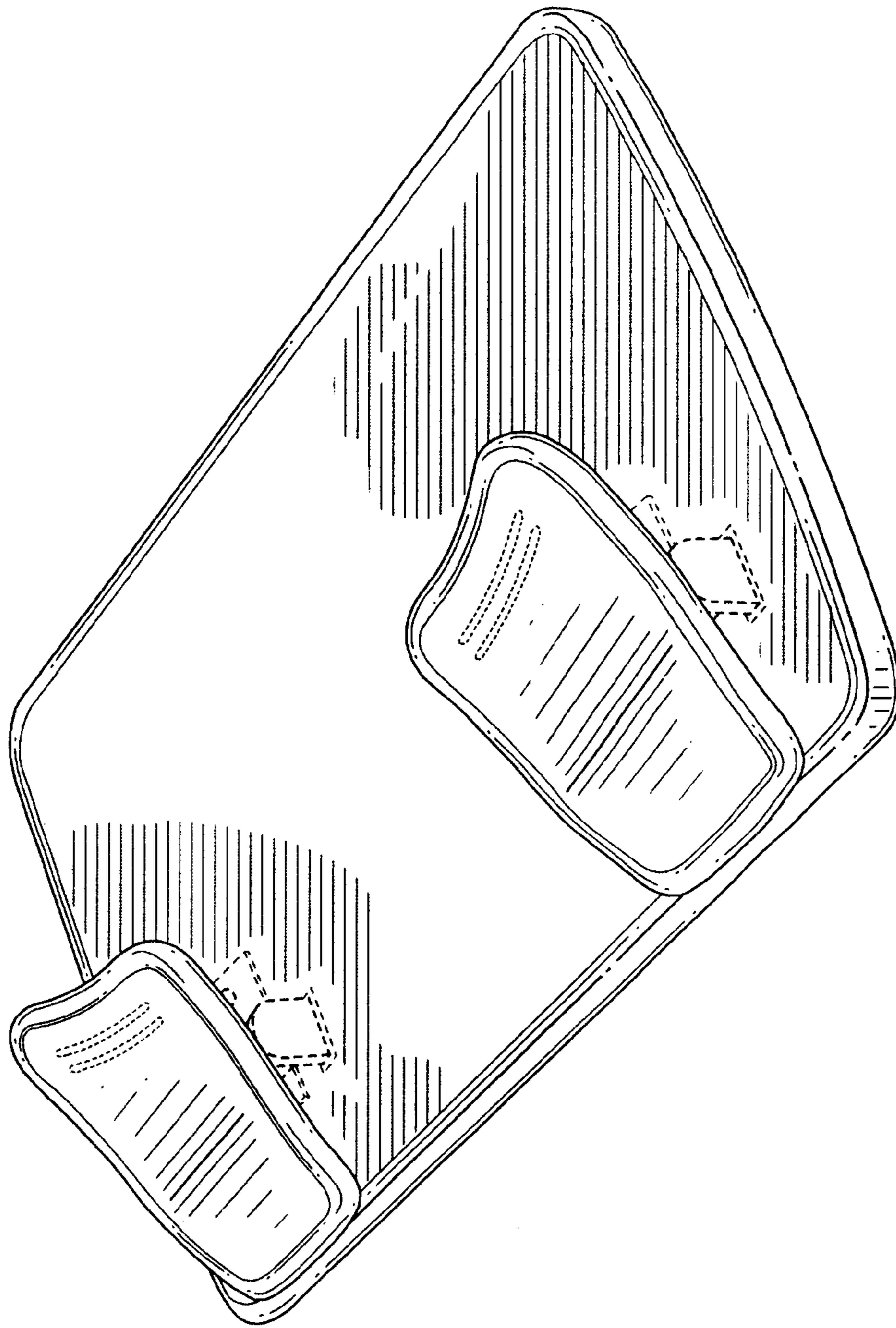


FIG. 1.

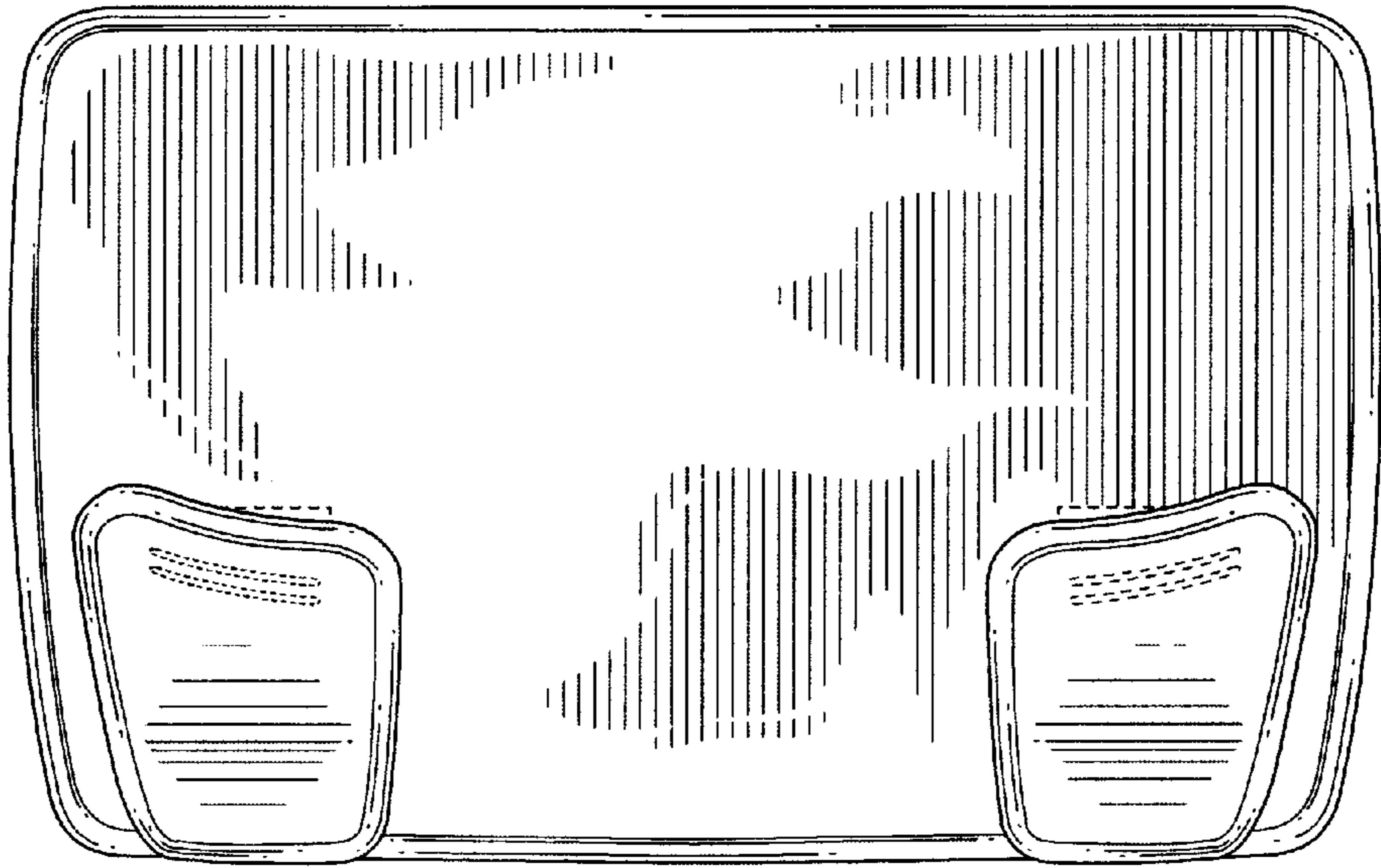


FIG. 2.

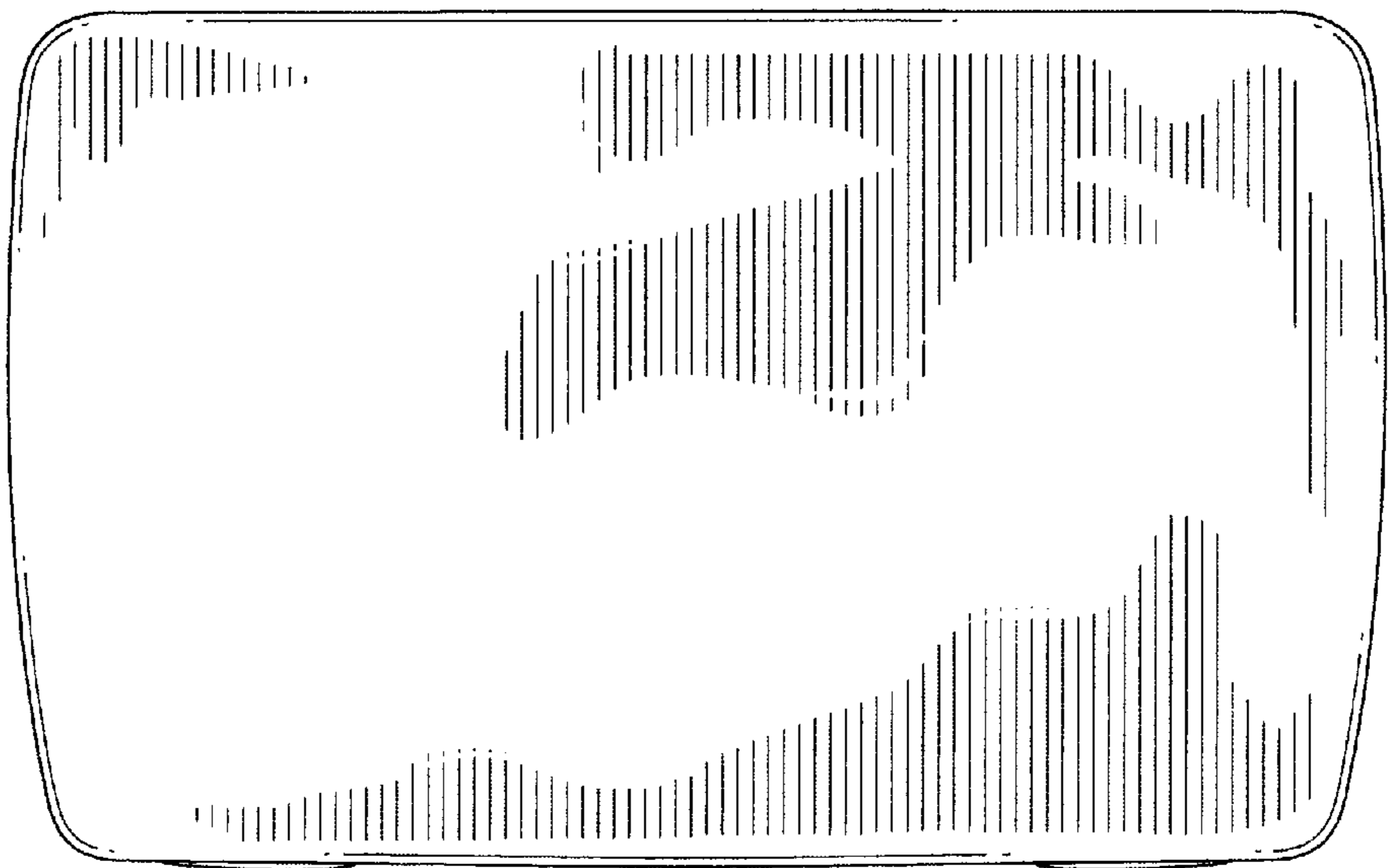


FIG. 3.

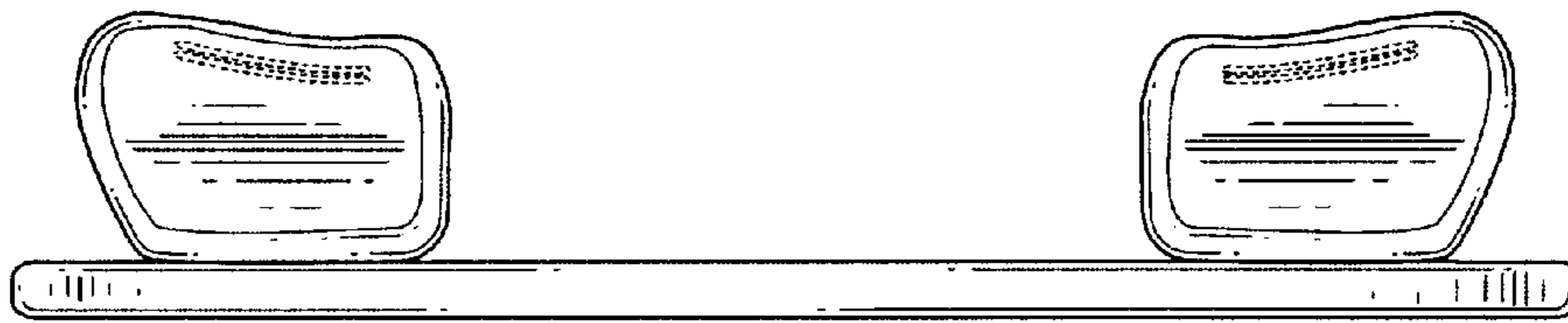


FIG. 4.

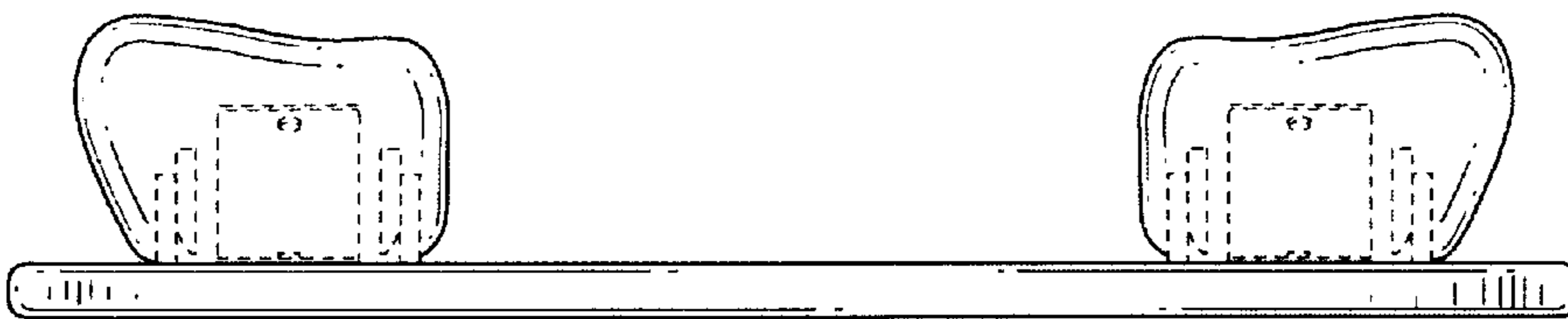


FIG. 5.

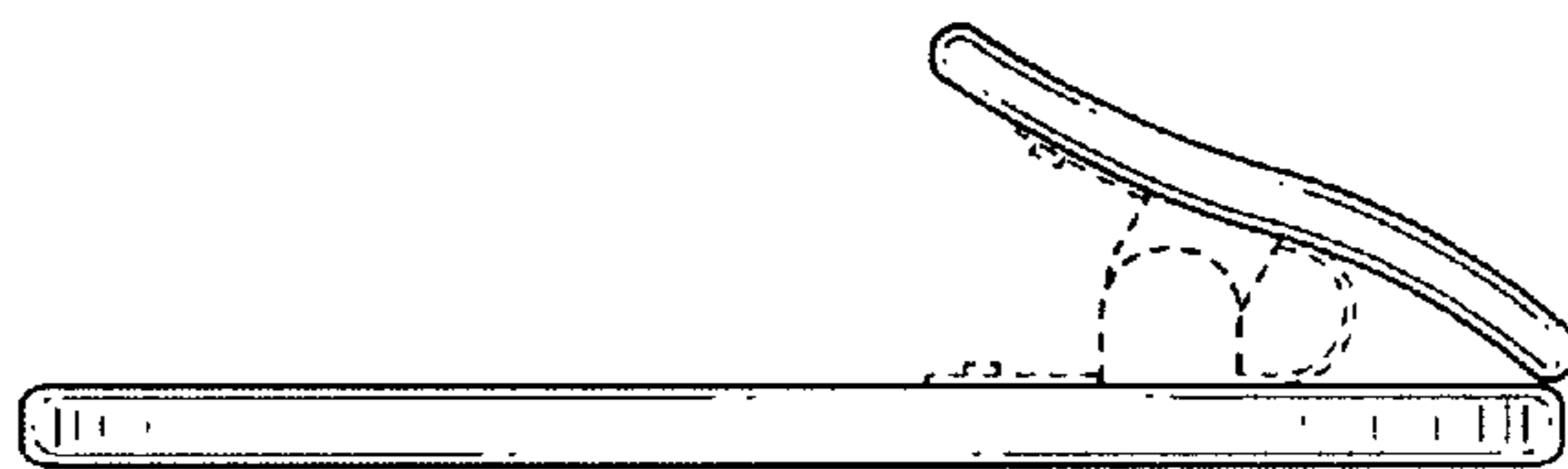


FIG. 6.

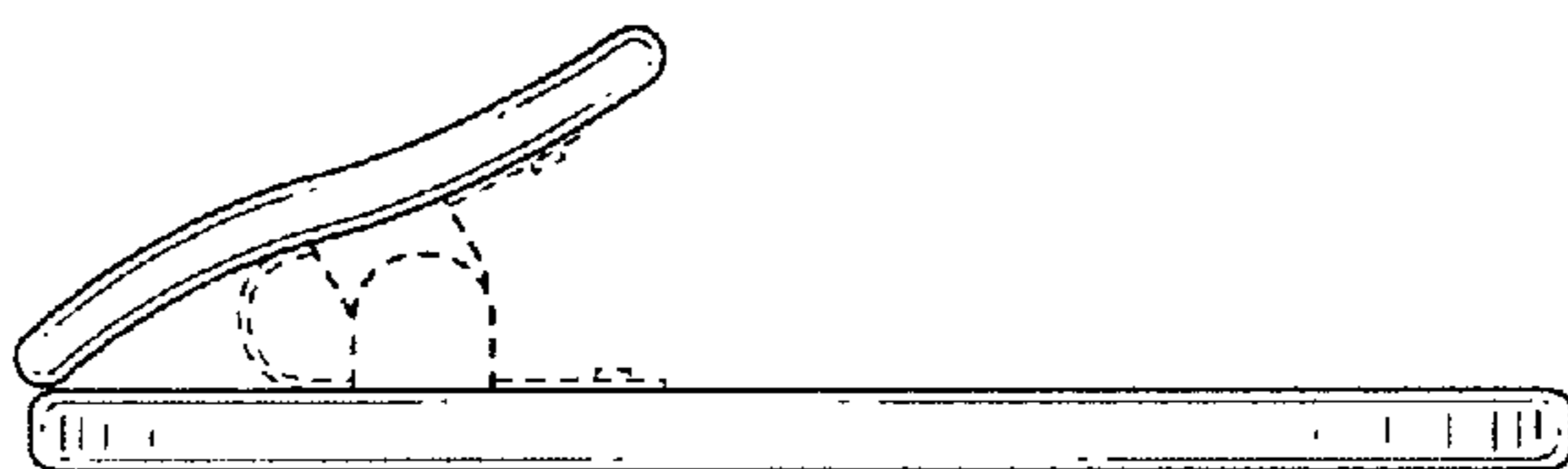


FIG. 7.

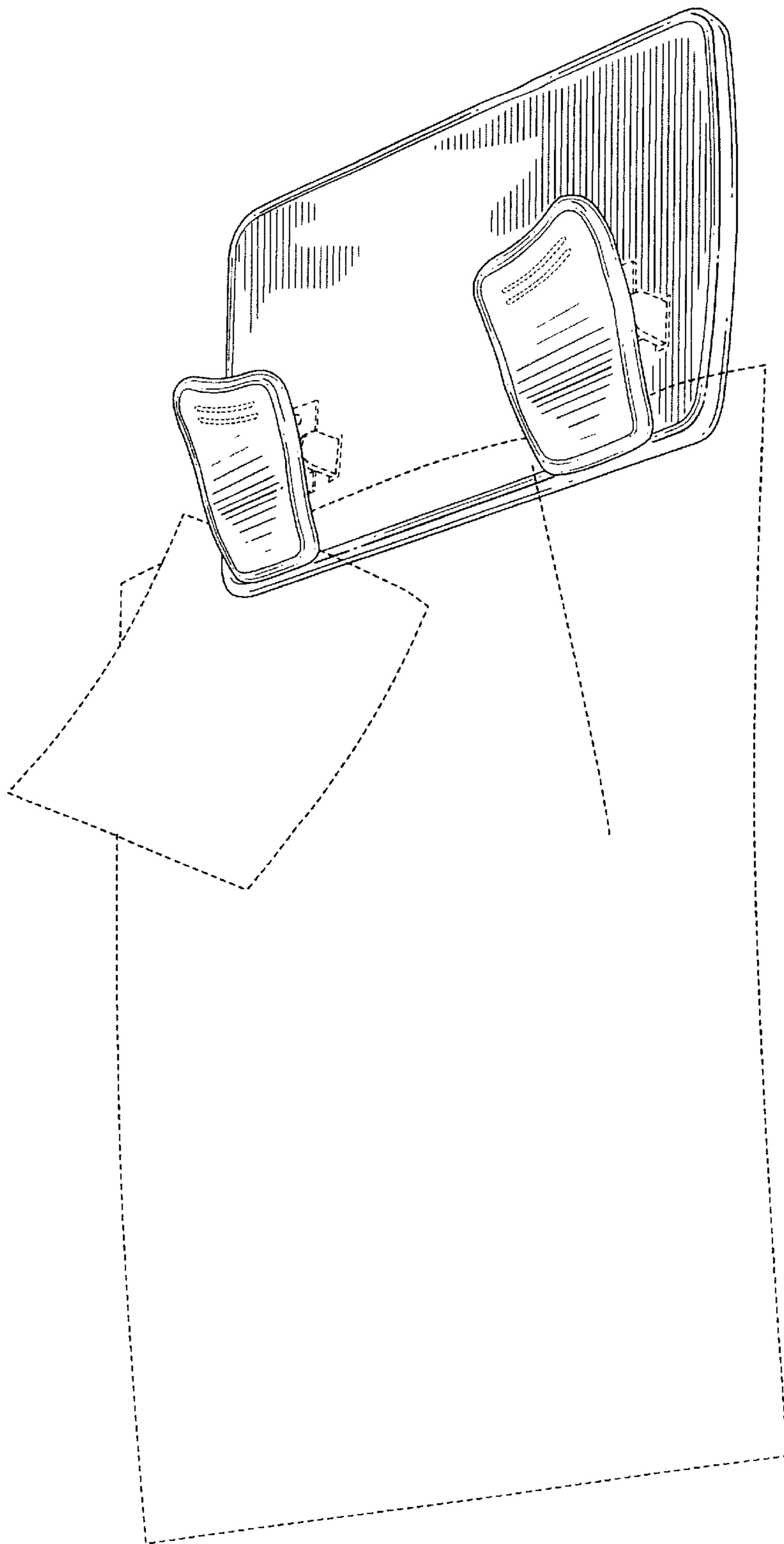


FIG. 8.