



US00D467609S

(12) **United States Design Patent**  
**Mori et al.**

(10) **Patent No.:** **US D467,609 S**

(45) **Date of Patent:** **\*\* Dec. 24, 2002**

(54) **ROD USED FOR A JIG FOR BINDING  
PERFORATED PAPER SHEETS ON A RING  
BINDER**

6,074,151 A \* 6/2000 Pas ..... 412/38  
D443,634 S \* 6/2001 Hefty ..... D18/34  
6,332,742 B1 \* 12/2001 Smith ..... 412/38  
D460,476 S \* 7/2002 Mori et al. .... D18/34

(75) Inventors: **Makoto Mori**, Katsushika-ku (JP);  
**Miki Horita**, Katsushika-ku (JP)

\* cited by examiner

(73) Assignee: **Carl Jimuki Kabushiki Kaisha**, Tokyo  
(JP)

*Primary Examiner*—Martie K. Holtje

(74) *Attorney, Agent, or Firm*—Oliff & Berridge, PLC

(\*\*) Term: **14 Years**

(57) **CLAIM**

(21) Appl. No.: **29/150,166**

The ornamental design for a rod used for a jig for binding perforated paper sheets on a ring binder, as shown and described.

(22) Filed: **Nov. 9, 2001**

**DESCRIPTION**

(30) **Foreign Application Priority Data**

Jul. 9, 2001 (JP) ..... 2001-020102

(51) **LOC (7) Cl.** ..... **18-04**

(52) **U.S. Cl.** ..... **D18/34**

(58) **Field of Search** ..... D18/46, 34, 99;  
D19/65, 72, 99, 100; 412/6-8, 19, 20, 16,  
13, 33, 34, 37, 38, 39, 40, 41; 225/106

FIG. 1 is a bottom, front and right side perspective view of a rod used for a jig for binding perforated paper sheets on a ring binder showing our new design;

FIG. 2 is a front elevational view thereof;

FIG. 3 is a rear elevational view thereof;

FIG. 4 is a left side elevational view thereof;

FIG. 5 is a right side elevational view thereof;

FIG. 6 is a top plan view thereof;

FIG. 7 is a bottom view thereof; and,

FIG. 8 is a perspective view thereof showing a state that the article according to the design is used.

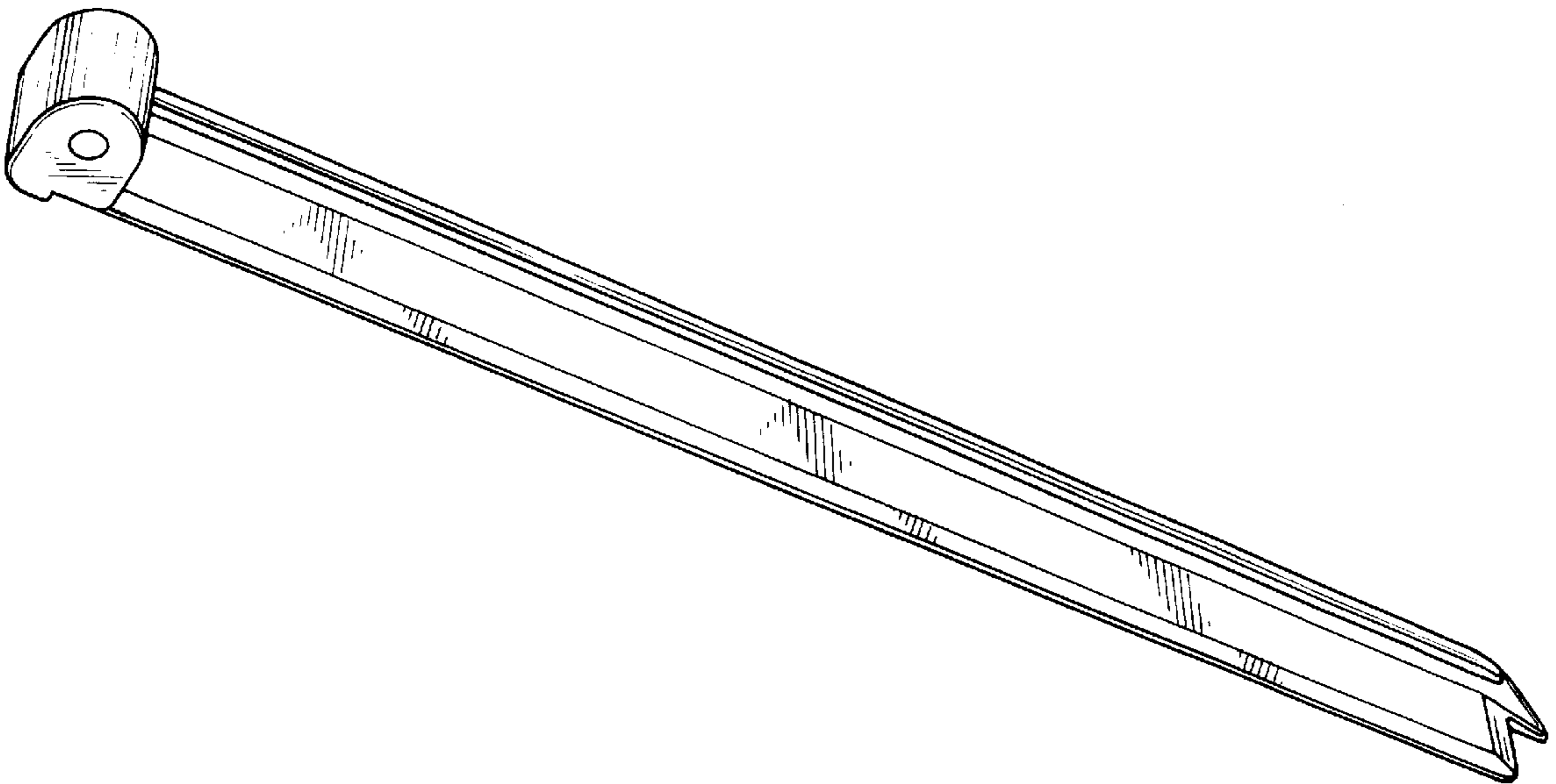
The broken line showing of the piece of paper and other structure being provided for illustrative purposes only and forming no part of the claimed design.

(56) **References Cited**

**U.S. PATENT DOCUMENTS**

3,967,336 A \* 7/1976 Cutter ..... 412/13  
4,991,760 A \* 2/1991 Coryell ..... 225/106  
5,324,154 A \* 6/1994 Jones et al. .... 412/39  
D416,041 S \* 11/1999 Mori ..... D18/34

**1 Claim, 3 Drawing Sheets**



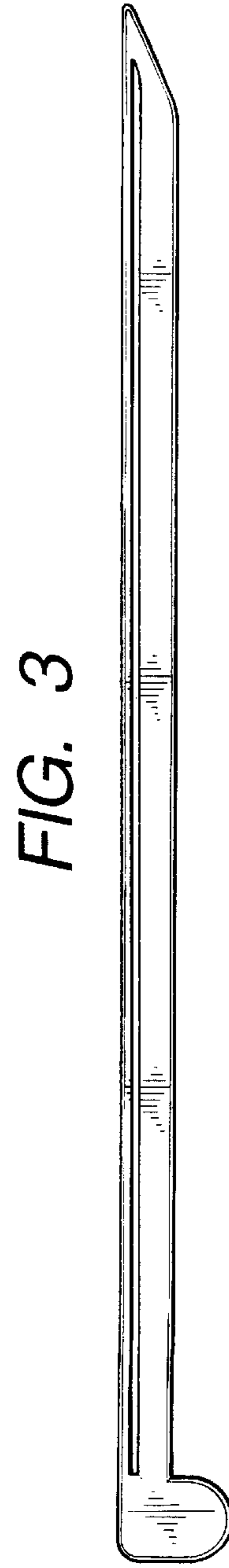
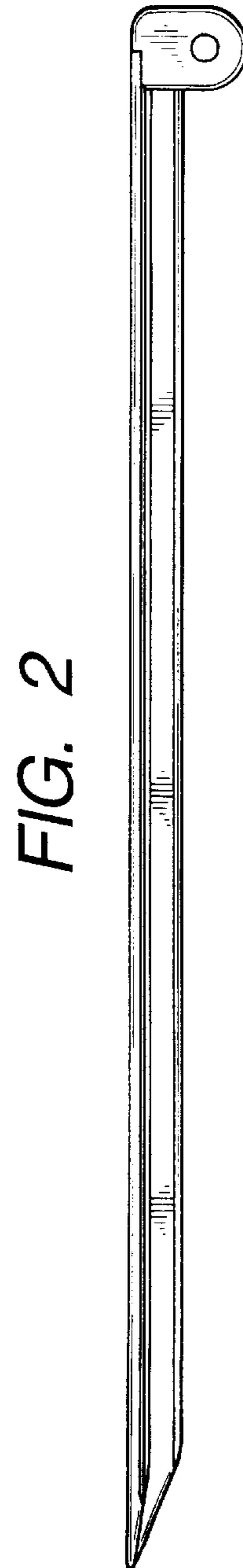
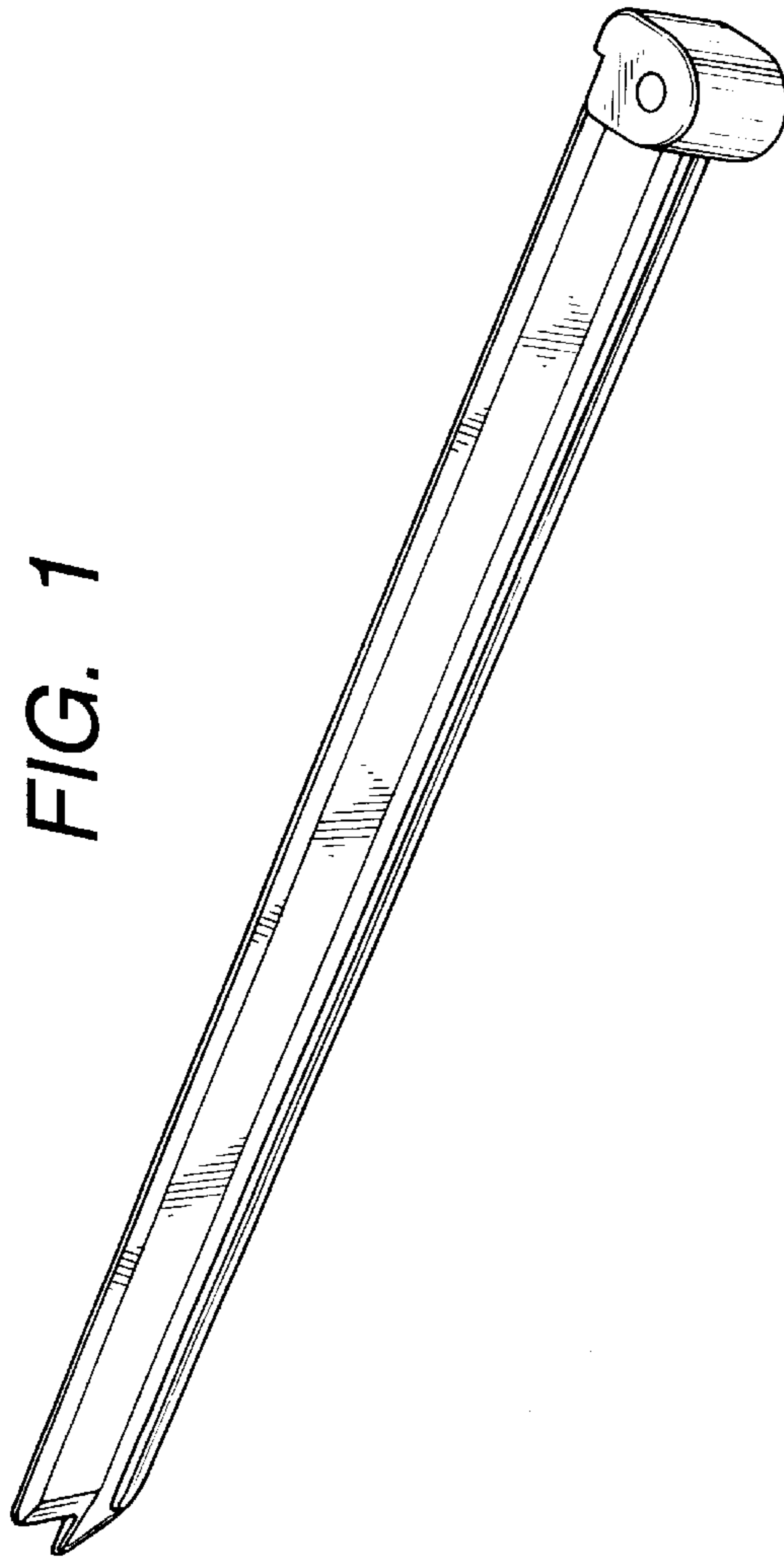


FIG. 4

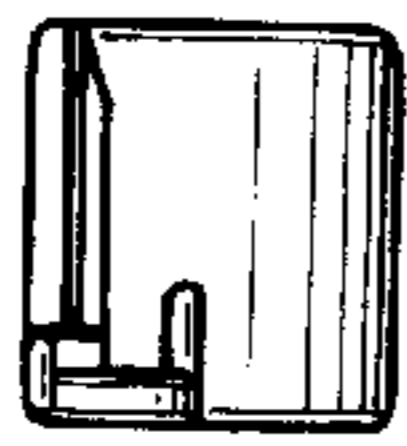


FIG. 5



FIG. 6



FIG. 7

