



US00D467608S

(12) **United States Design Patent**
Hilliard

(10) **Patent No.:** **US D467,608 S**

(45) **Date of Patent:** **** Dec. 24, 2002**

(54) **MOUTHPIECE**

(75) **Inventor:** **Greg Hilliard, Delavan, WI (US)**

(73) **Assignee:** **G. Leblanc Corporation, Kenosha, WI (US)**

(**) **Term:** **14 Years**

(21) **Appl. No.:** **29/146,474**

(22) **Filed:** **Aug. 13, 2001**

(51) **LOC (7) Cl. 17-02**

(52) **U.S. Cl. D17/13**

(58) **Field of Search D17/11, 13, 99;**
D21/406; D9/559, 562, 564, 565, 569;
84/398, 383 R; 446/209

(56) **References Cited**

U.S. PATENT DOCUMENTS

200,007	A	*	2/1878	True	84/398
513,346	A	*	1/1894	Talmadge	84/398
972,823	A	*	10/1910	Cook et al.	84/398
1,089,876	A	*	3/1914	Stacy	84/398
1,178,513	A	*	4/1916	George	84/398
D270,279	S	*	8/1983	Hamilton	D24/211
D317,362	S	*	6/1991	Ramacieri	D24/125

D358,161	S	*	5/1995	Kubala	D17/13
D397,531	S	*	8/1998	Huff	D30/132
5,910,039	A	*	6/1999	Primos et al.	446/207
5,969,280	A	*	10/1999	Marcinkiewicz	84/398

OTHER PUBLICATIONS

Leblanc Accessories Retail Catalog, 2001, pp. 30–32 and 34–36, part Nos. H2809, H2829 and H2880 (examples of other mouthpieces), published Jun. 2001.

* cited by examiner

Primary Examiner—Ruth McInroy

(74) *Attorney, Agent, or Firm*—Barnes & Thornburg

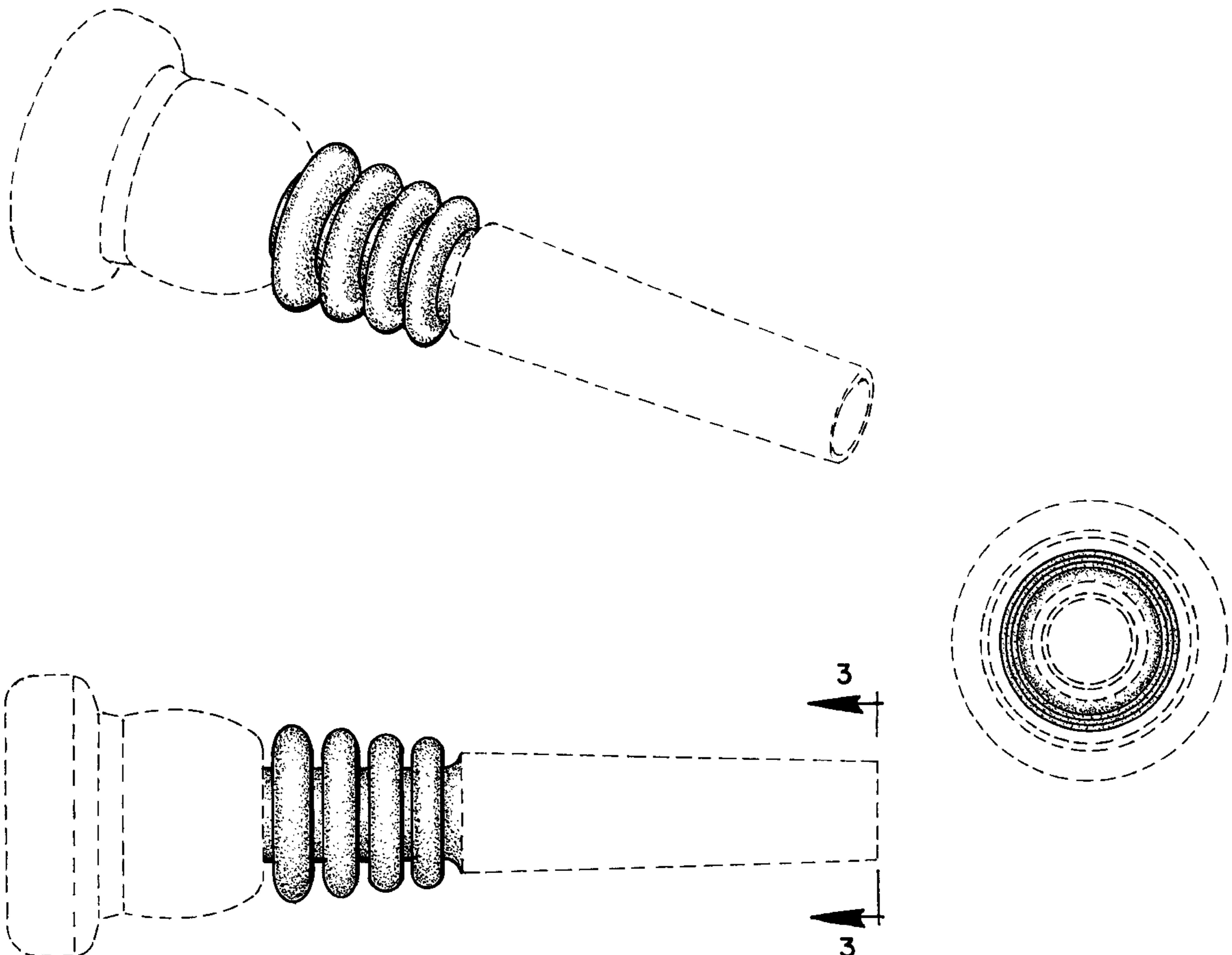
(57) **CLAIM**

I claim the ornamental design for a mouthpiece, as shown and described.

DESCRIPTION

FIG. 1 is a front right side perspective view of a mouthpiece showing my new design;
FIG. 2 is a side elevation view thereof; and,
FIG. 3 is an end view thereof taken along view line 3—3 in FIG. 2.

1 Claim, 1 Drawing Sheet



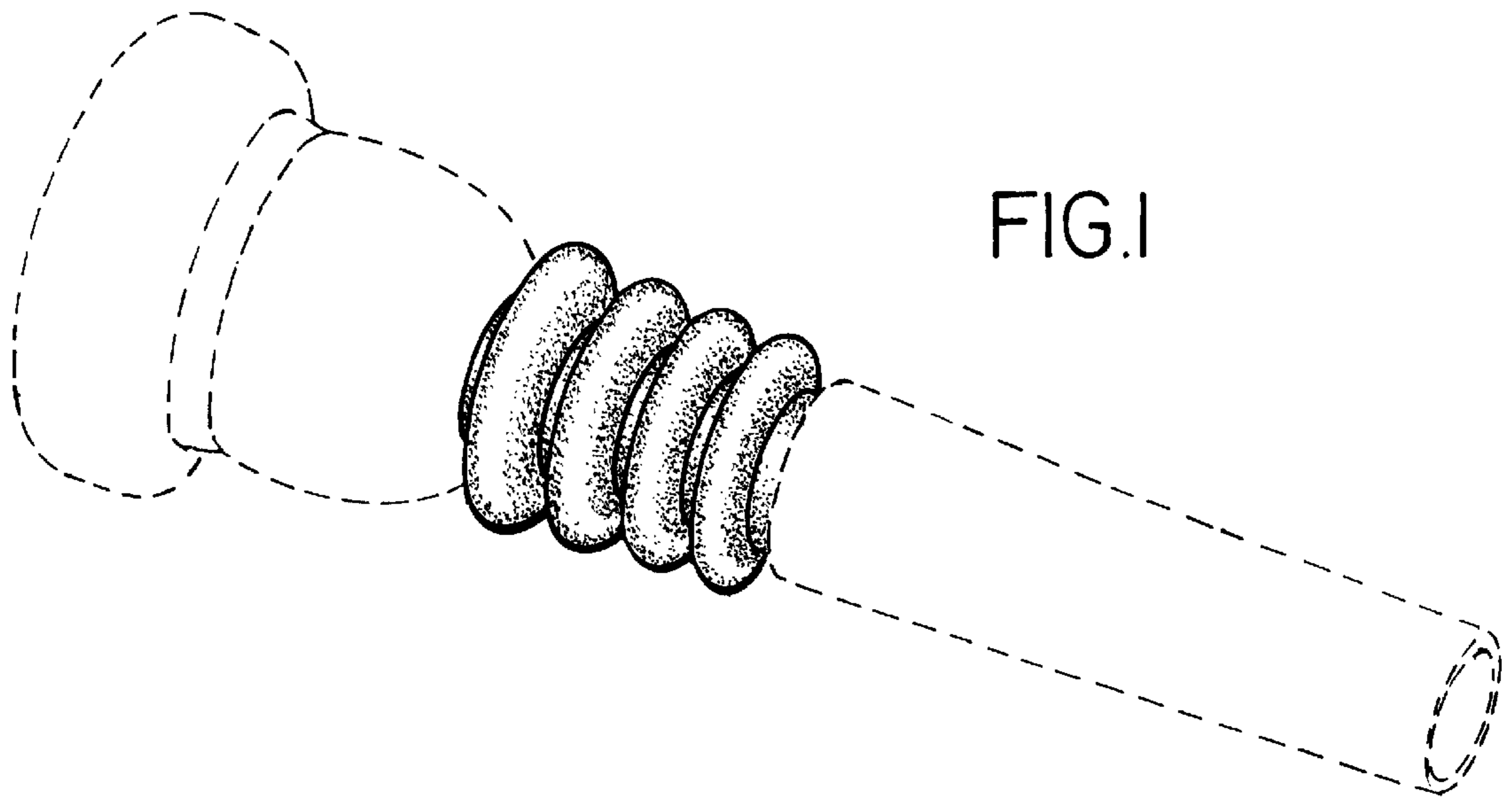


FIG. 2

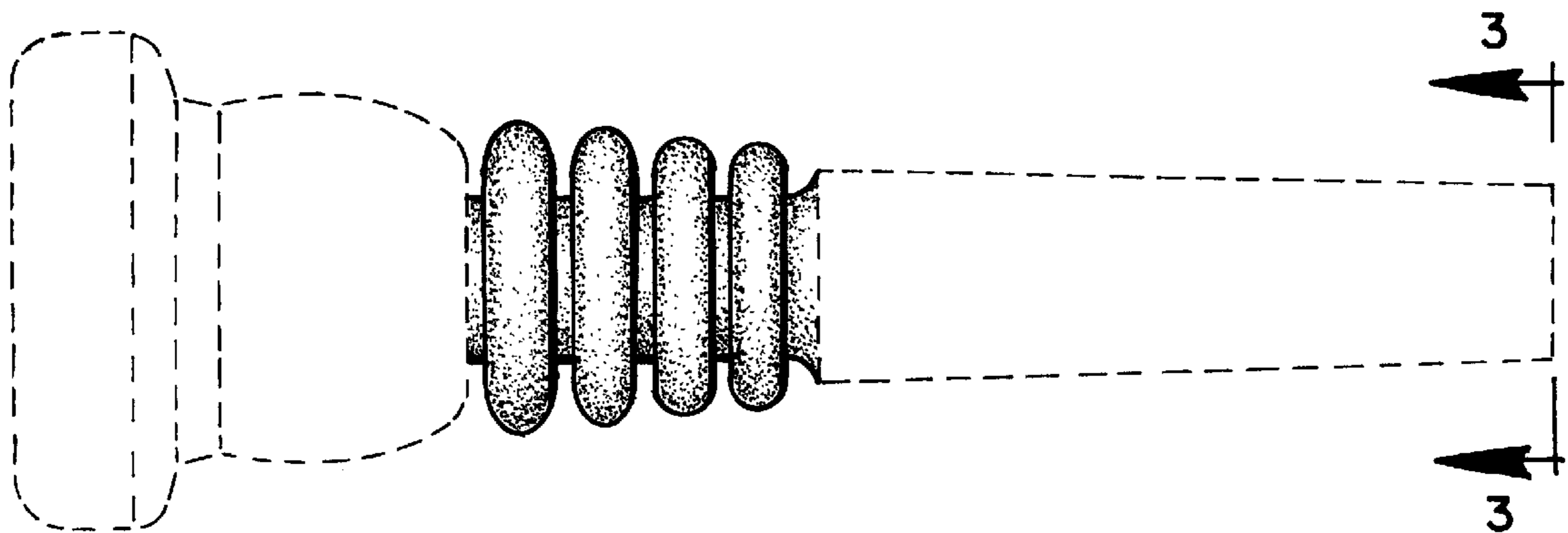


FIG. 3

