



US00D467607S

(12) **United States Design Patent**  
**Yanase et al.**

(10) **Patent No.:** **US D467,607 S**

(45) **Date of Patent:** **\*\* Dec. 24, 2002**

(54) **ELECTRONIC PIANO**

(75) Inventors: **Kazuya Yanase**, Shizuoka (JP); **Kenji Ozawa**, Shizuoka (JP)

(73) Assignee: **Roland Corporation**, Osaka (JP)

(\*\*) Term: **14 Years**

(21) Appl. No.: **29/153,024**

(22) Filed: **Dec. 21, 2001**

(51) **LOC (7) Cl.** ..... **17-01**

(52) **U.S. Cl.** ..... **D17/7**

(58) **Field of Search** ..... D17/1, 2, 5, 6-9;  
84/175-177, 523 R, 528, 644, 670, 719,  
DIG. 7

(56) **References Cited**

**U.S. PATENT DOCUMENTS**

2,947,210	A	*	8/1960	Facey et al.	.....	84/177
D260,098	S	*	8/1981	Antonelli	.....	D17/7
D308,215	S	*	5/1990	Katsuhara	.....	D17/7
D372,728	S	*	8/1996	Mizushima	.....	D17/7
D386,514	S	*	11/1997	Nakada et al.	.....	D17/7

**OTHER PUBLICATIONS**

Music Trades, Oct. 1987 p. 7 (Suzuki piano, model 88GTS).\*

Yamaha Catalog, 1995 p. 10 pianos YPP-45 & YPP-55.\*  
Elepian ep-f300 Columbia Digital Piano, advertisement, 1 page.

\* cited by examiner

*Primary Examiner*—Adir Aronovich

(74) *Attorney, Agent, or Firm*—Foley & Lardner

(57) **CLAIM**

The ornamental design for an electronic piano, as shown and described.

**DESCRIPTION**

FIG. 1 is a perspective, top view of an electronic piano.

FIG. 2 is a side view of the electronic piano.

FIG. 3 is a bottom view of the electronic piano.

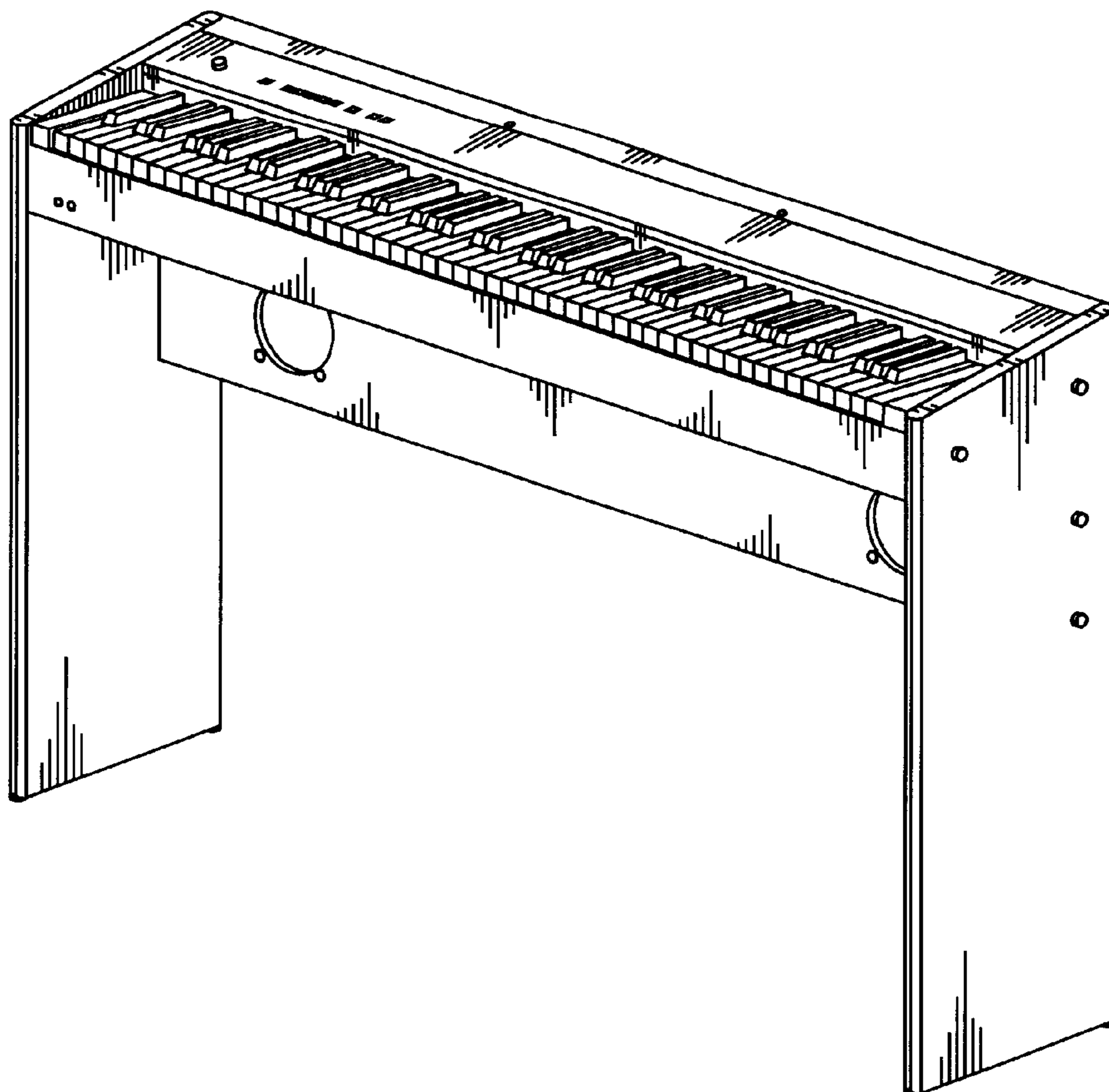
FIG. 4 is a side view opposite of the side view of FIG. 2, of the electronic piano.

FIG. 5 is a rear view of an electronic piano.

FIG. 6 is a top view of the electronic piano; and,

FIG. 7 is a front view of the electronic piano.

**1 Claim, 2 Drawing Sheets**



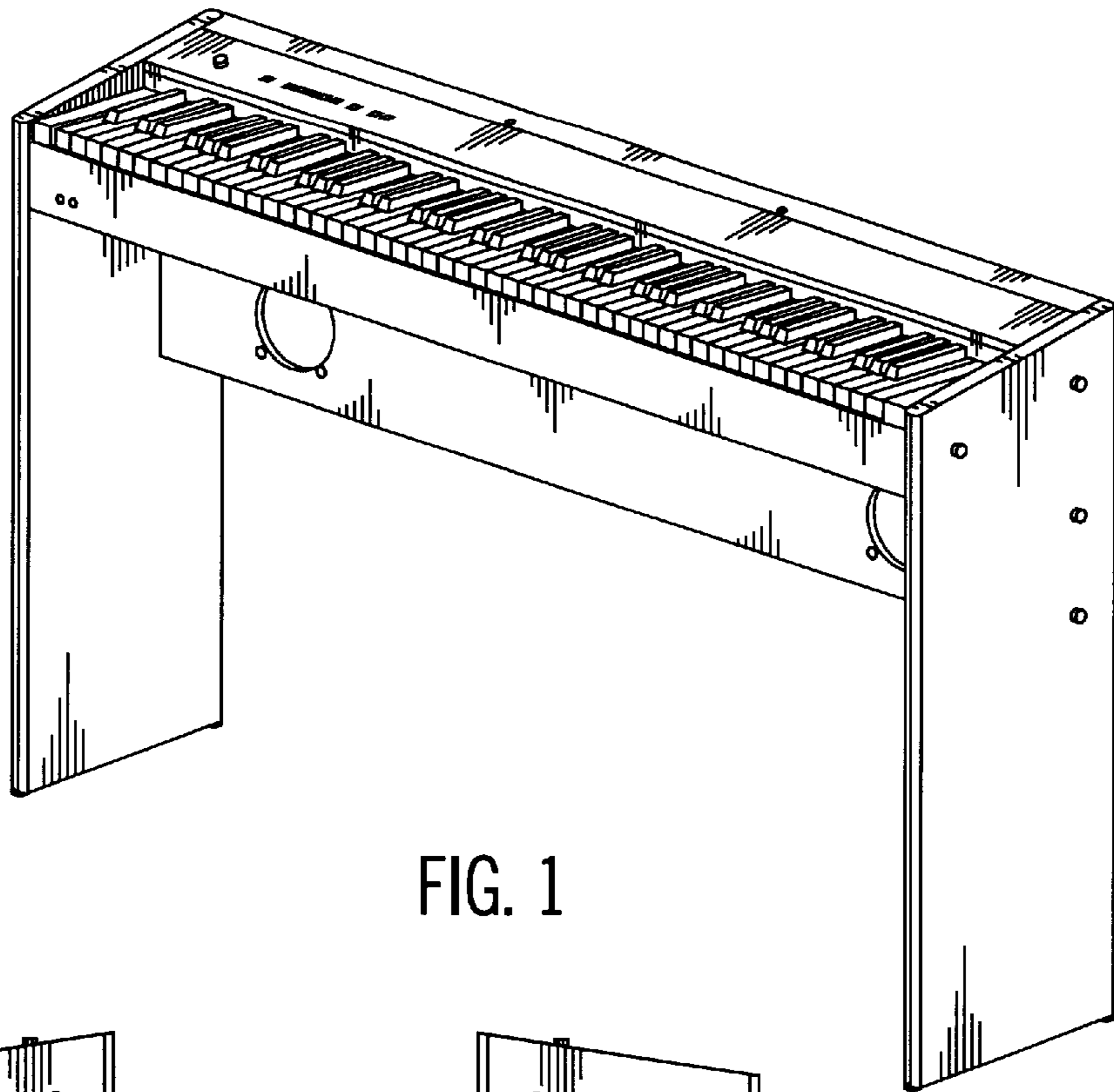


FIG. 1

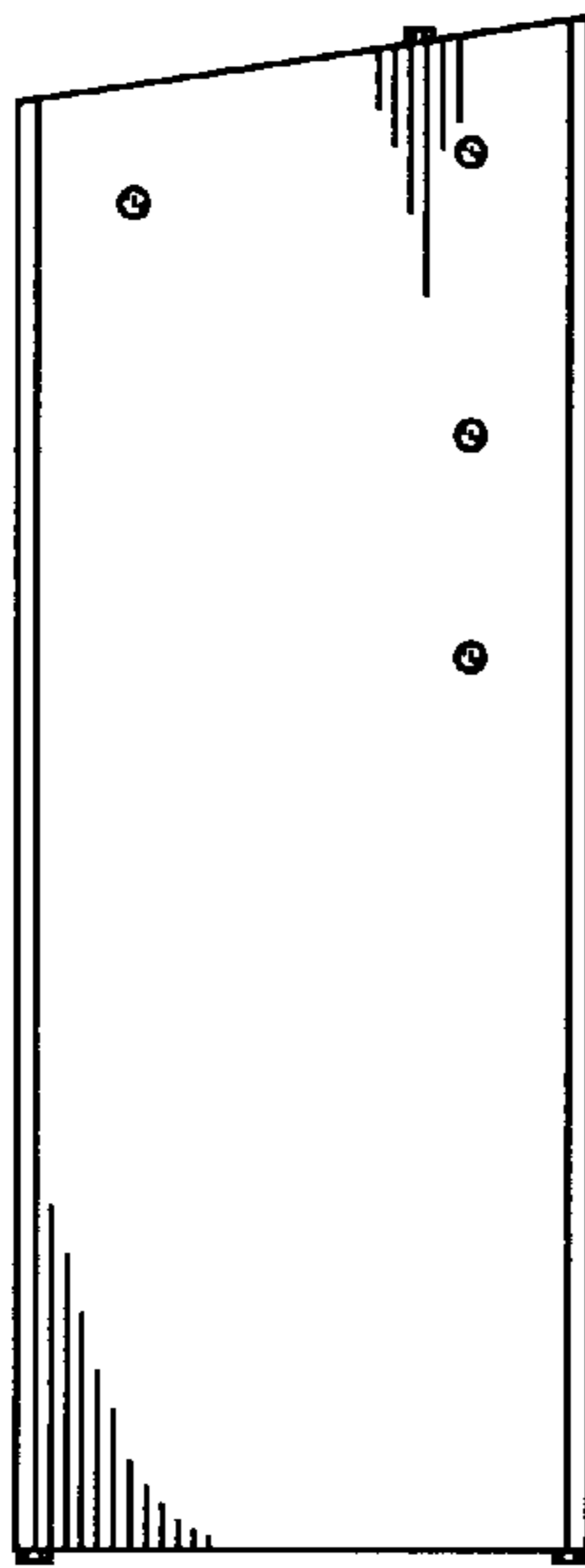


FIG. 2

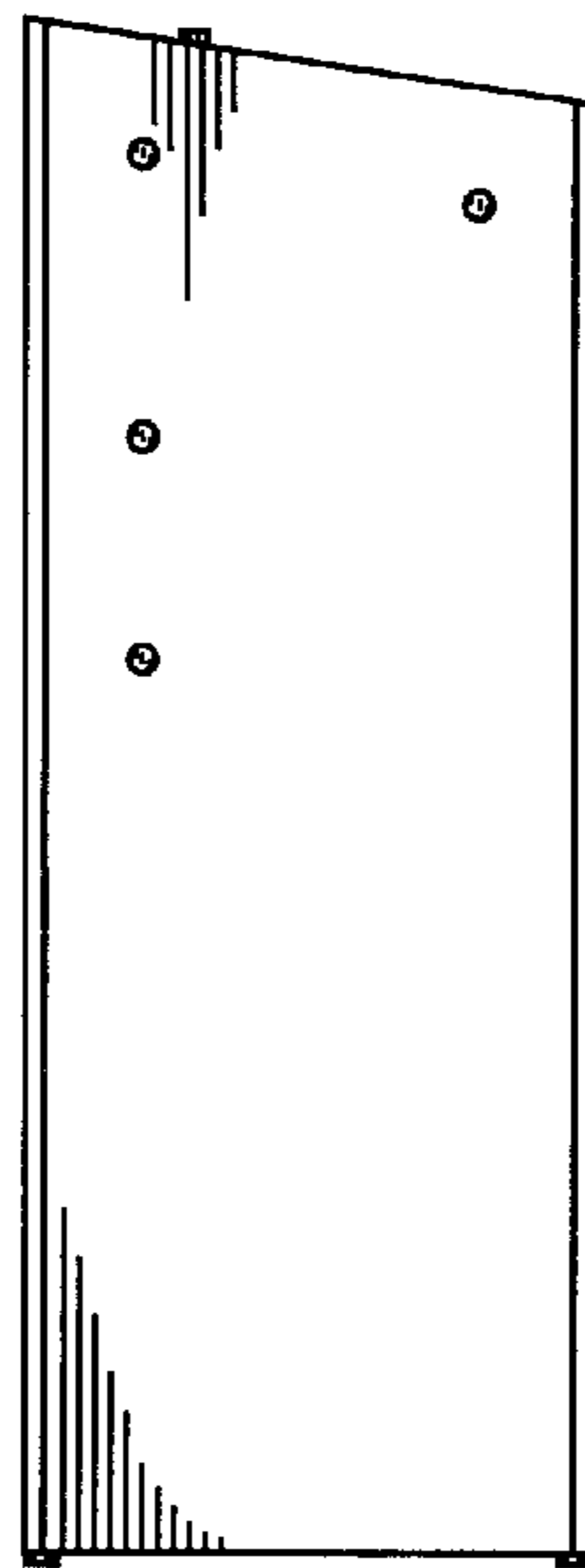


FIG. 4

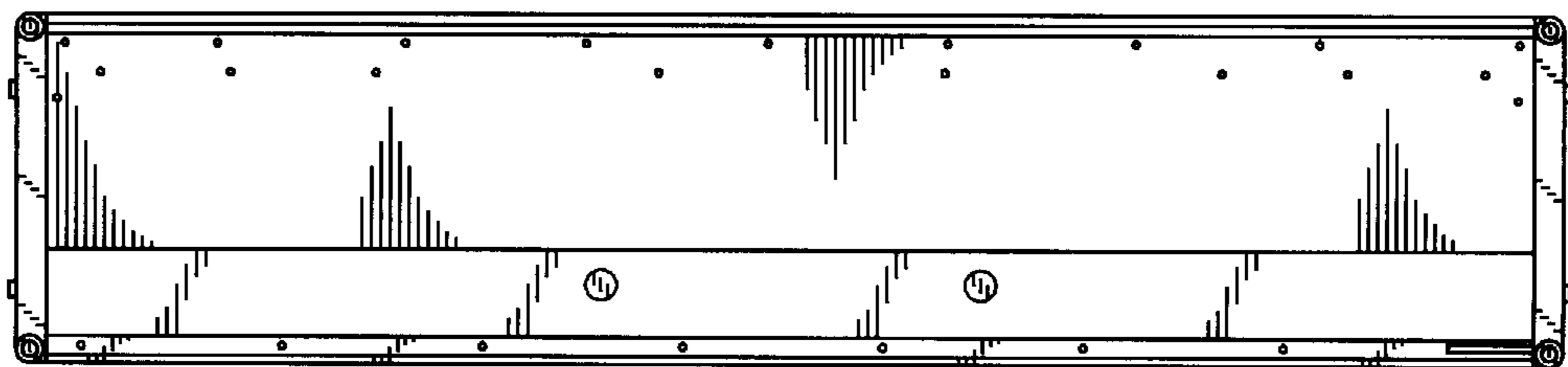


FIG. 3

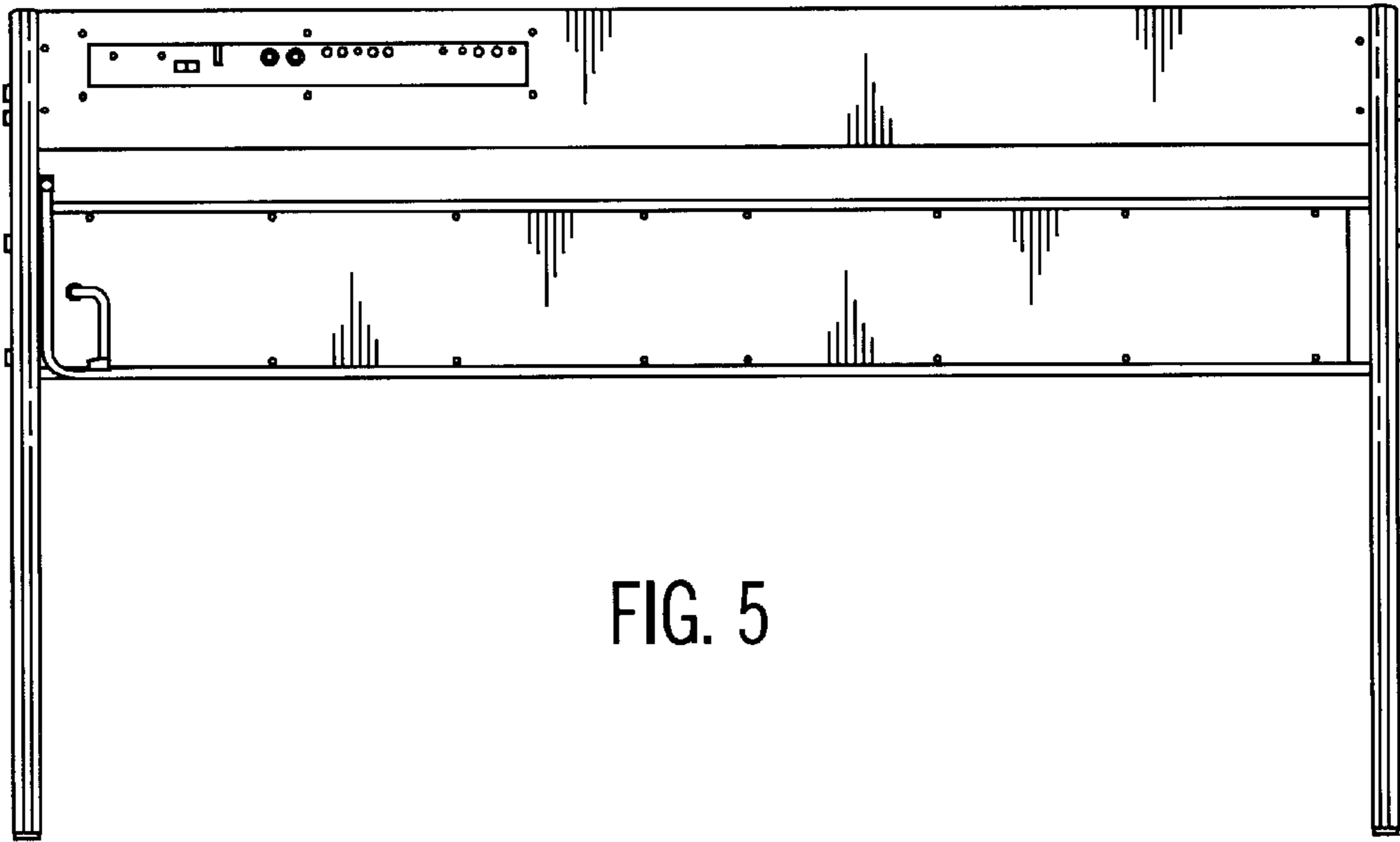


FIG. 5

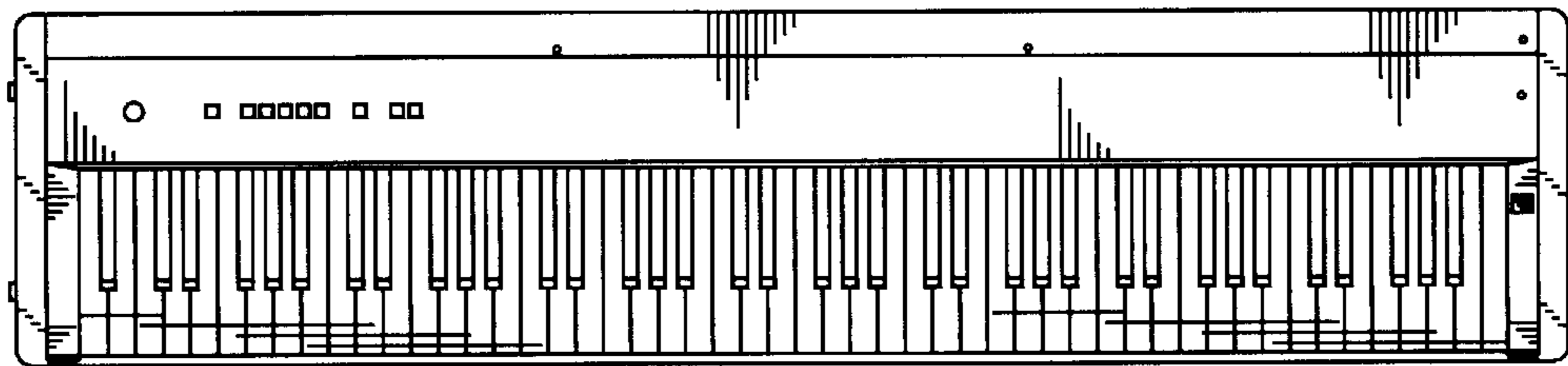


FIG. 6

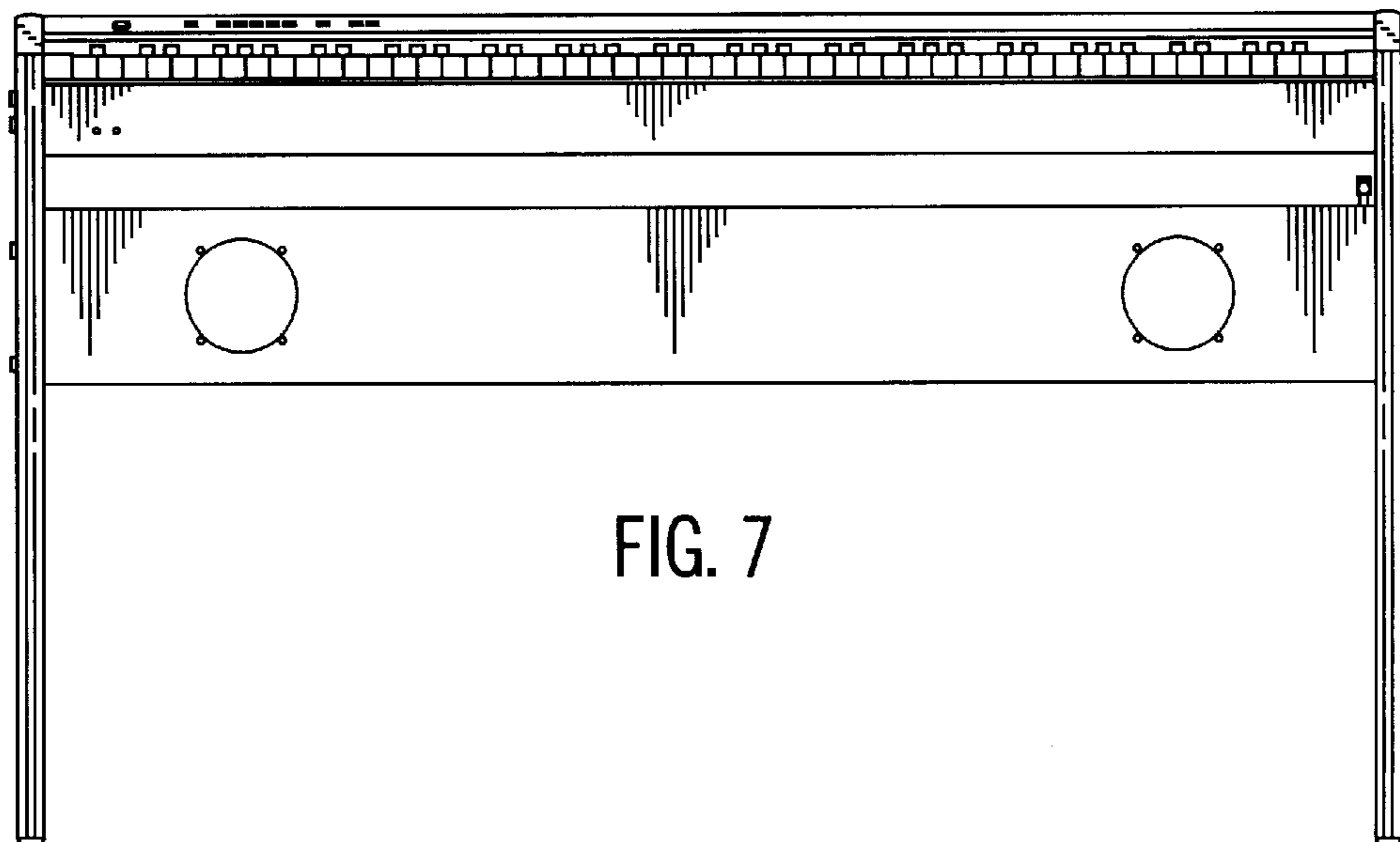


FIG. 7