



US00D467605S

(12) **United States Design Patent**
Dordick

(10) **Patent No.:** **US D467,605 S**

(45) **Date of Patent:** **** Dec. 24, 2002**

(54) **CAMERA MOUNT**

* cited by examiner

(76) Inventor: **Scott D. Dordick**, 102 E. Duell,
Glendora, CA (US) 91740

Primary Examiner—Adir Aronovich
(74) *Attorney, Agent, or Firm*—Edward O. Ansell

(**) Term: **14 Years**

(57) **CLAIM**

(21) Appl. No.: **29/144,931**

The ornamental design for a camera mount, as shown and described.

(22) Filed: **Jul. 12, 2001**

DESCRIPTION

(51) **LOC (7) Cl.** **16-05**

(52) **U.S. Cl.** **D16/242; D16/245**

(58) **Field of Search** D16/237, 242,
D16/244, 245; 248/176.1, 177.1, 185.1,
187.1, 161, 176.3; 396/419, 218; 352/243

FIG. 1 is a perspective view of a camera mount showing my new design;

FIG. 2 is a rear elevation view thereof;

FIG. 3 is a top plan view thereof;

FIG. 4 is a right elevation view thereof;

FIG. 5 is a left elevation view thereof;

FIG. 6 is a front elevation view thereof; and,

FIG. 7 is a bottom plan view thereof.

(56) **References Cited**

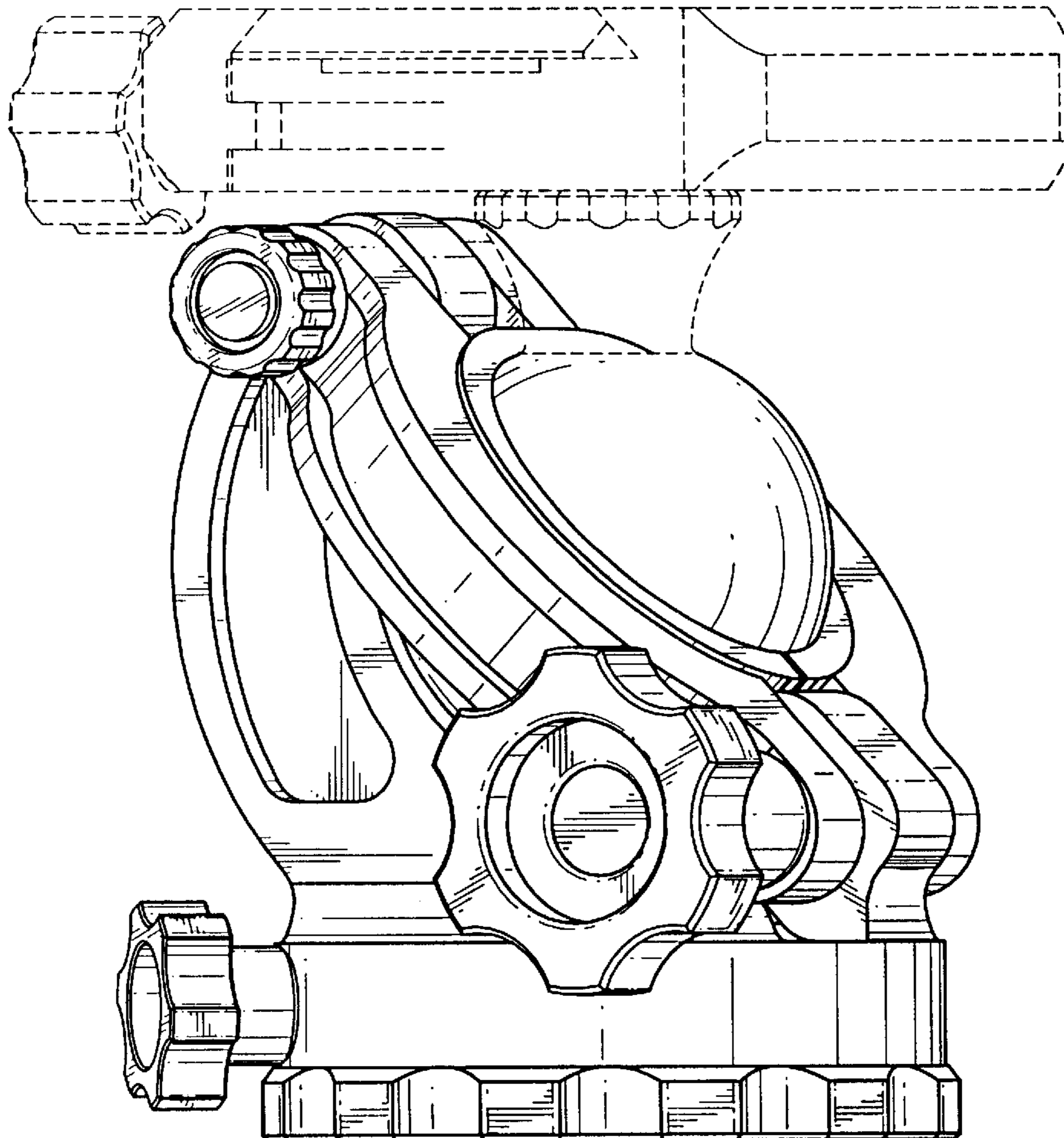
U.S. PATENT DOCUMENTS

D292,982 S	*	12/1987	Nakatani	D16/245
4,955,568 A	*	9/1990	O'Connor et al.	248/183.3
4,959,671 A	*	9/1990	Ishikawa	396/428
4,979,709 A	*	12/1990	Ishikawa	248/187.1
D323,339 S	*	1/1992	Ishikawa	D16/245
D366,887 S	*	2/1996	Wood	D16/242

A feature of the design is the spherical contours.

The portions of the article in broken lines are shown for illustrative purposes only and form no part of the claimed design.

1 Claim, 4 Drawing Sheets



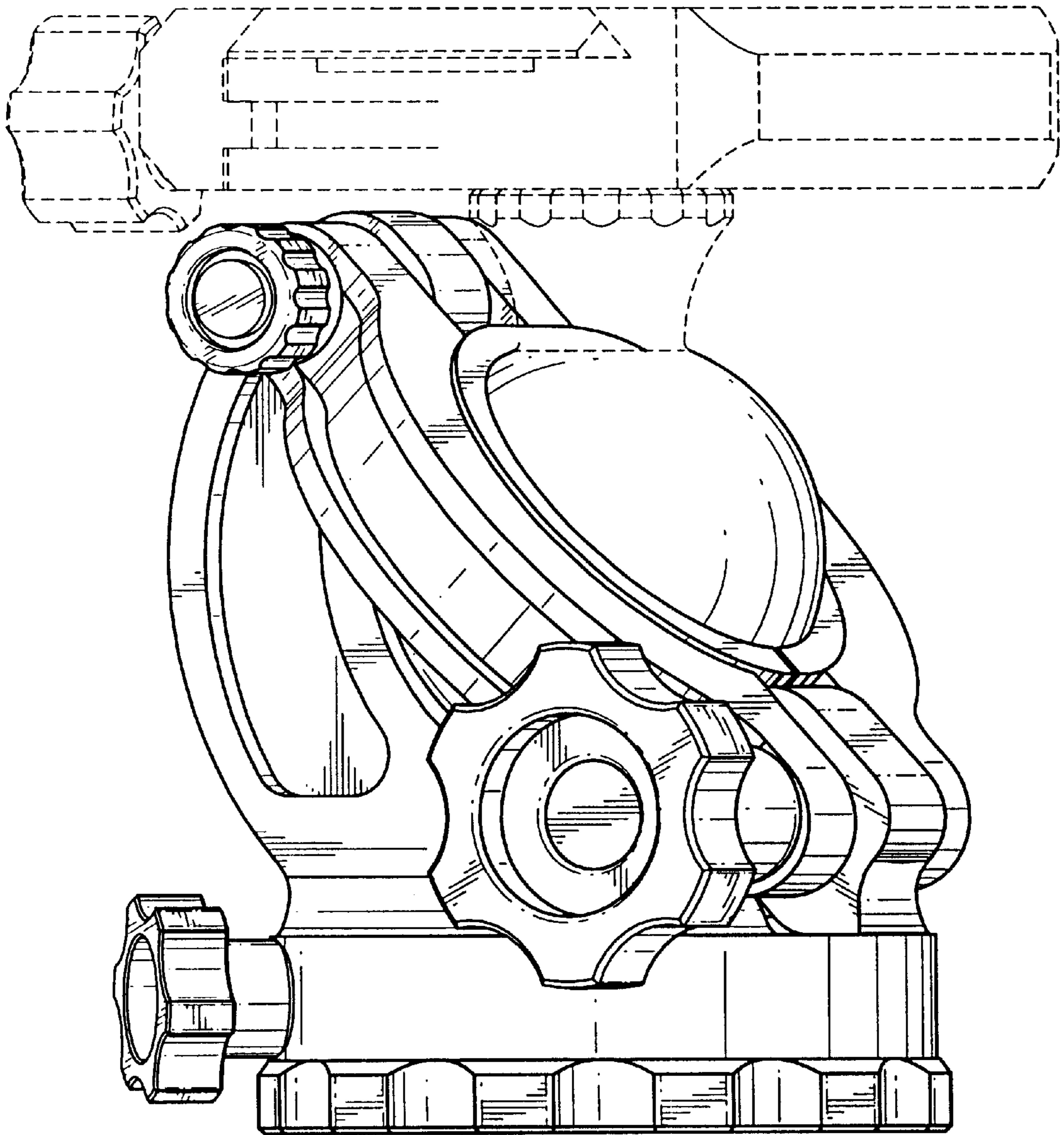


FIG. 1

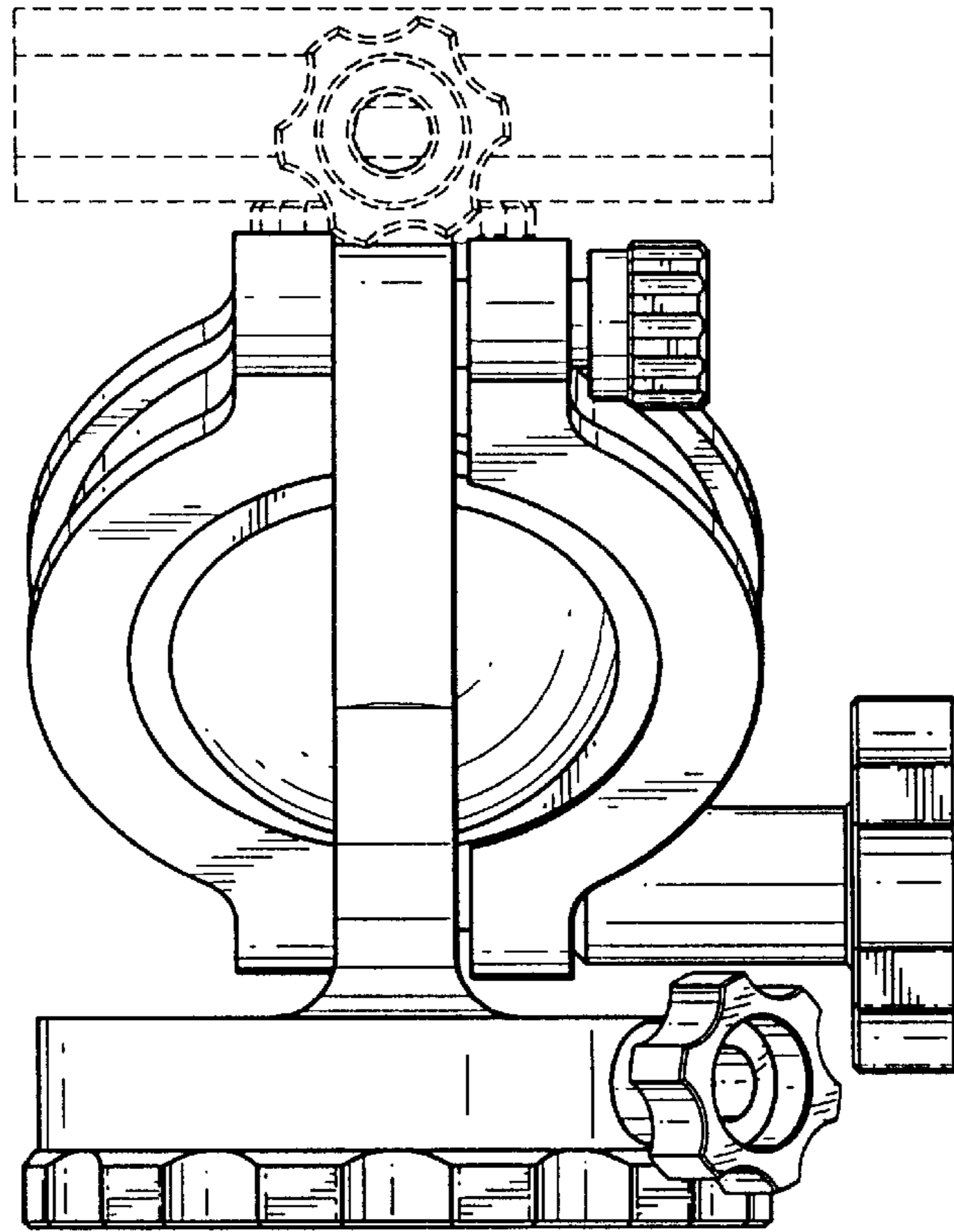


FIG. 2

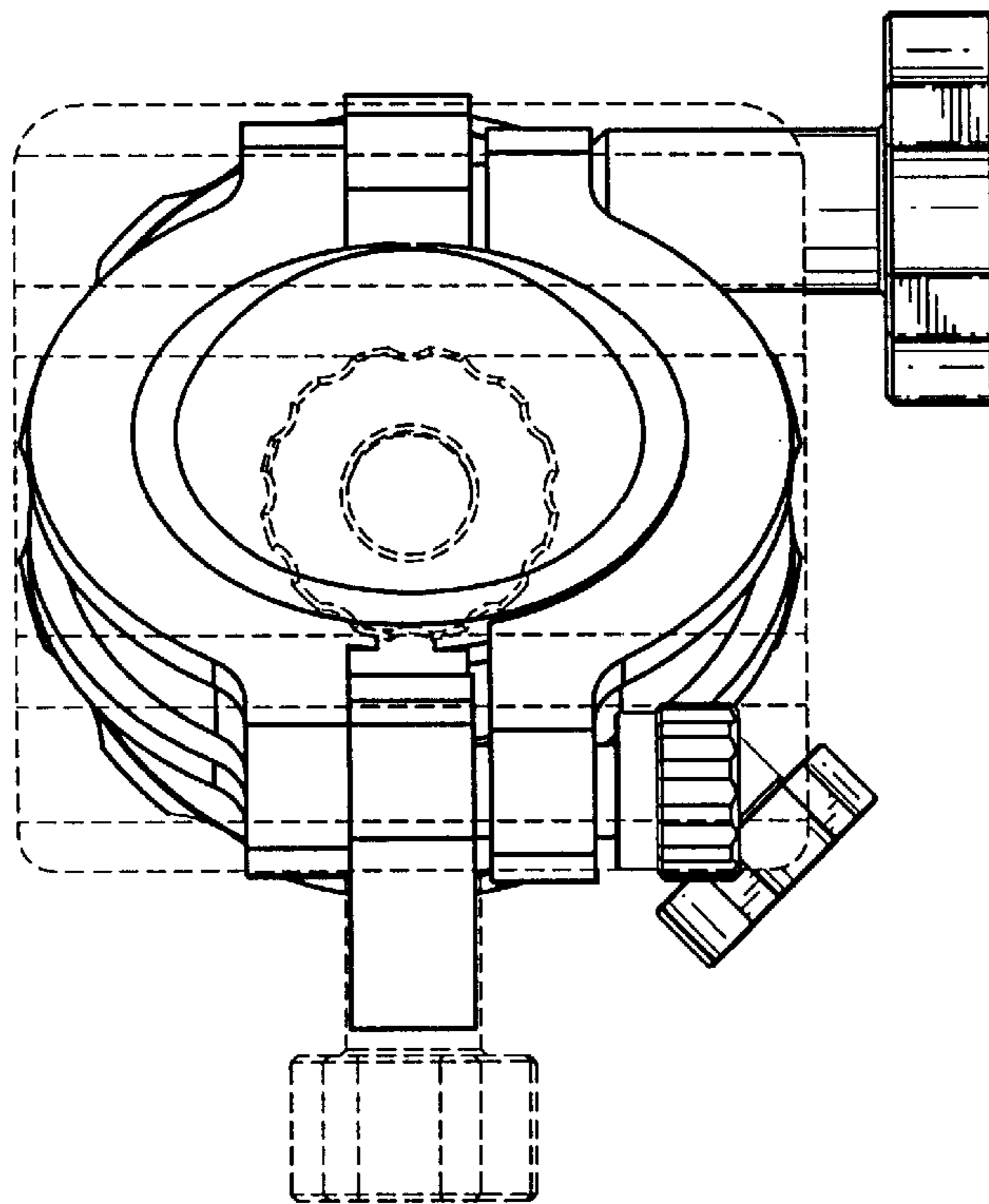


FIG. 3

FIG. 4

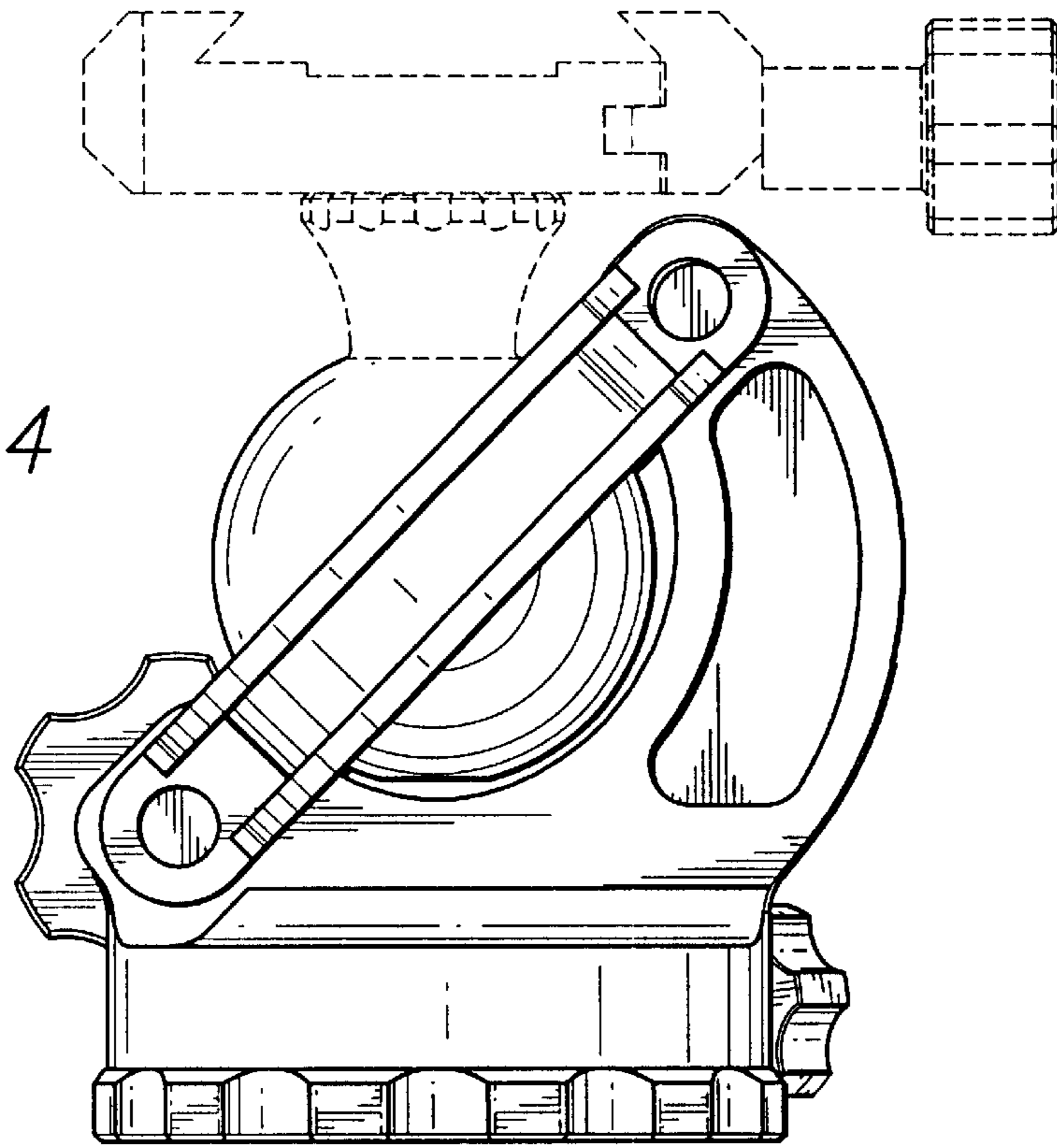
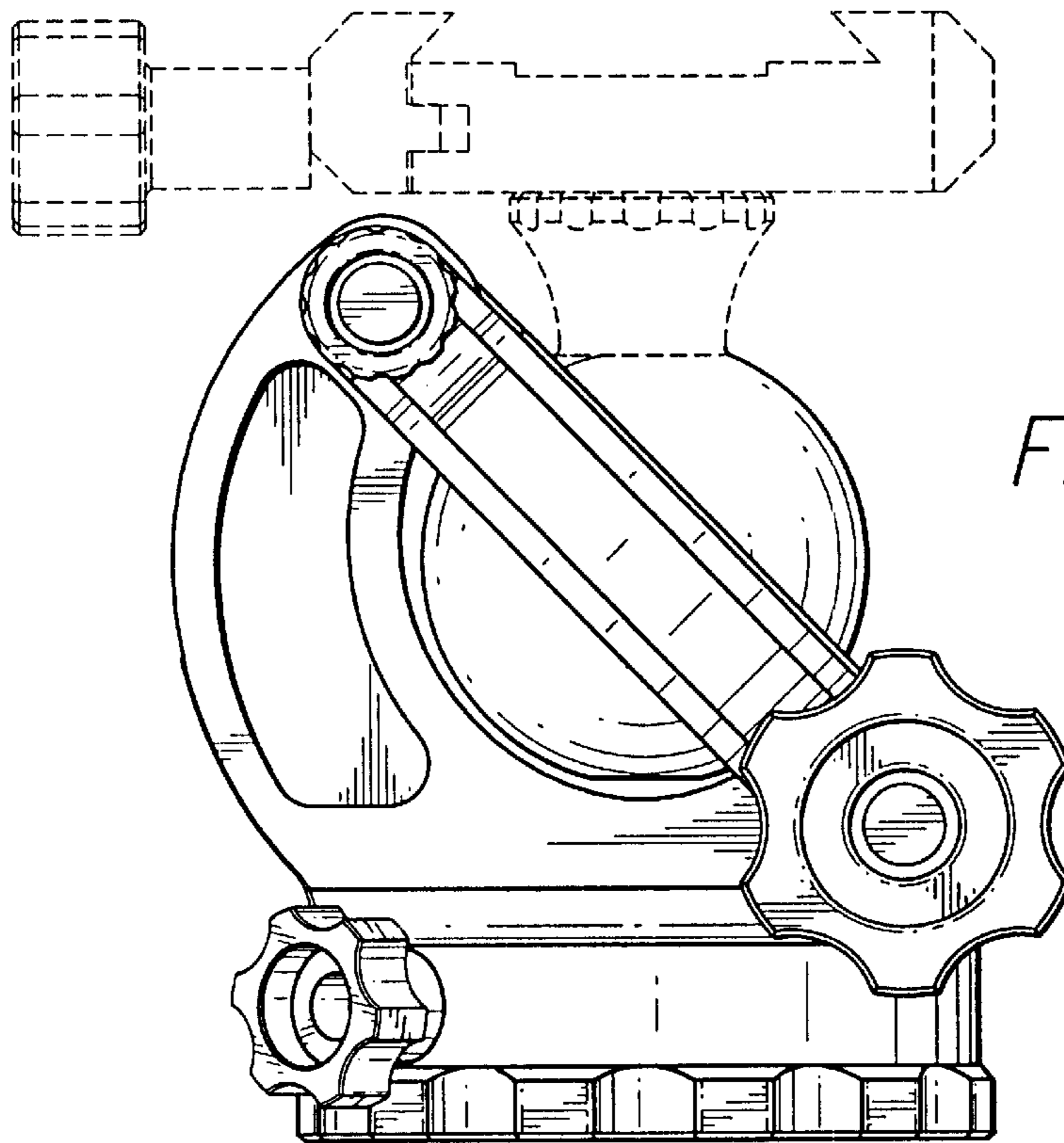


FIG. 5



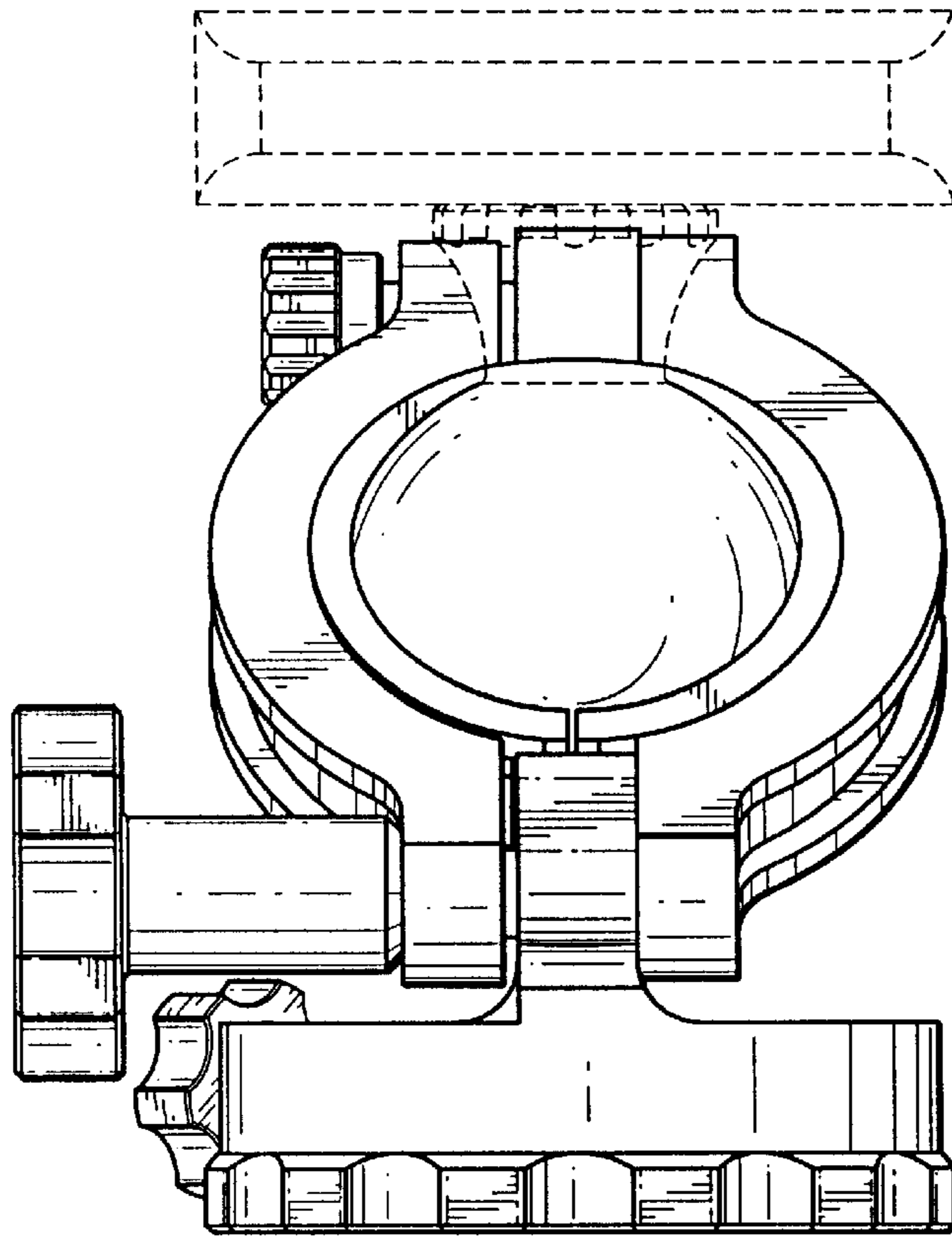


FIG. 6

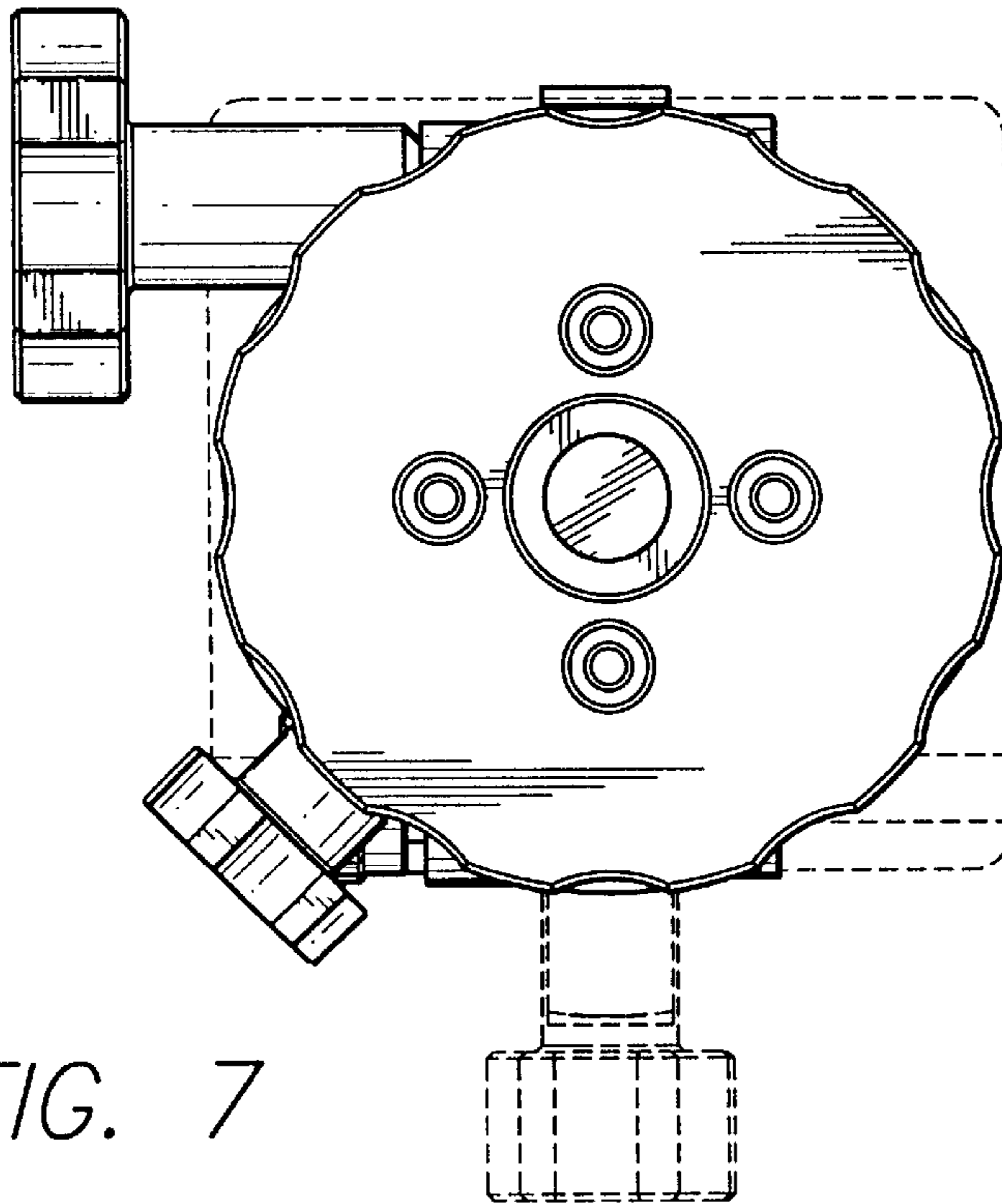


FIG. 7