



US00D467604S

(12) **United States Design Patent**
Niitsu

(10) **Patent No.:** **US D467,604 S**

(45) **Date of Patent:** **** Dec. 24, 2002**

(54) **PROJECTOR**

(75) Inventor: **Takuya Niitsu**, Tokyo (JP)

(73) Assignee: **Sony Corporation**, Tokyo (JP)

(**) Term: **14 Years**

(21) Appl. No.: **29/159,642**

(22) Filed: **Apr. 26, 2002**

(51) **LOC (7) Cl.** **16-02**

(52) **U.S. Cl.** **D16/230**

(58) **Field of Search** D16/205, 208,
D16/221, 225, 230, 231, 234; D21/514;
353/115, 119, 122

(56) **References Cited**

U.S. PATENT DOCUMENTS

D429,230 S	*	8/2000	Shiono	D14/156
D433,668 S	*	11/2000	Nakamura	D14/135
D439,594 S	*	3/2001	Komatsu et al.	D16/231
D442,983 S	*	5/2001	Goto et al.	D16/230
6,231,191 B1	*	5/2001	Shiraishi et al.	353/61
D449,331 S	*	10/2001	Kawahara et al.	D16/230
D460,777 S	*	7/2002	Oka	D16/230

OTHER PUBLICATIONS

Catalog "Sony Style, <http://www.sony.co.uk>", p. 99, Sony Corporation (spring/summer/2001).

Catalog "99" pp. 58, 59 & 60, Sony Corporation (Nov. 2001).

Home page "Projecto, <http://www.yodobashi.com>", 3 pgs., Yodobashi Camera Co., Ltd., (Feb. 2002).

* cited by examiner

Primary Examiner—Adir Aronovich

(74) *Attorney, Agent, or Firm*—Rader Fishman & Grauer PLLC

(57) **CLAIM**

The ornamental design for a projector, as shown.

DESCRIPTION

FIG. 1 is a perspective view of a projector showing my new design;

FIG. 2 is a front elevational view thereof;

FIG. 3 is a rear elevational view thereof;

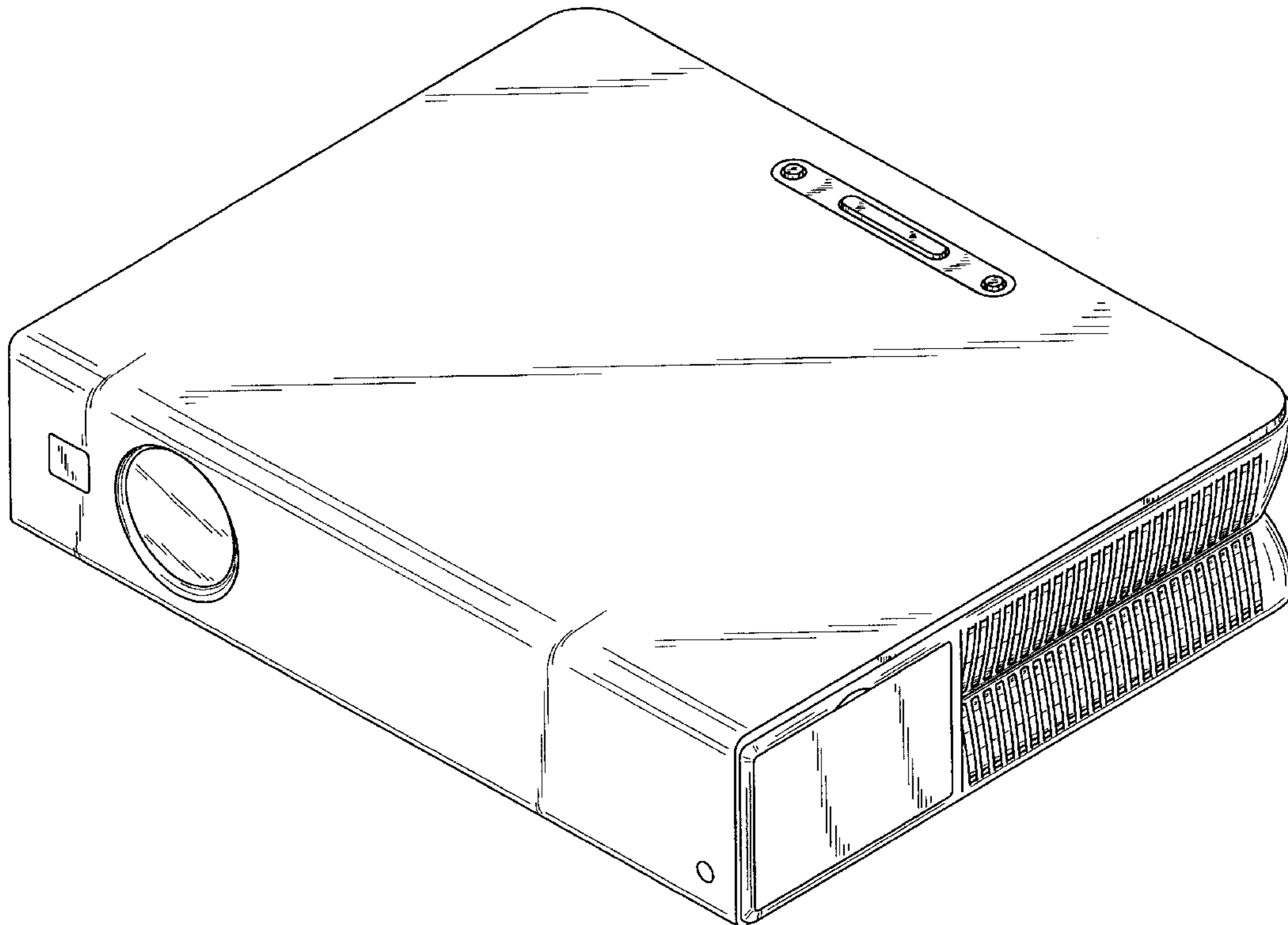
FIG. 4 is a left side elevational view thereof;

FIG. 5 is a right side elevational view thereof;

FIG. 6 is a top plan view thereof; and,

FIG. 7 is a bottom plan view thereof.

1 Claim, 4 Drawing Sheets



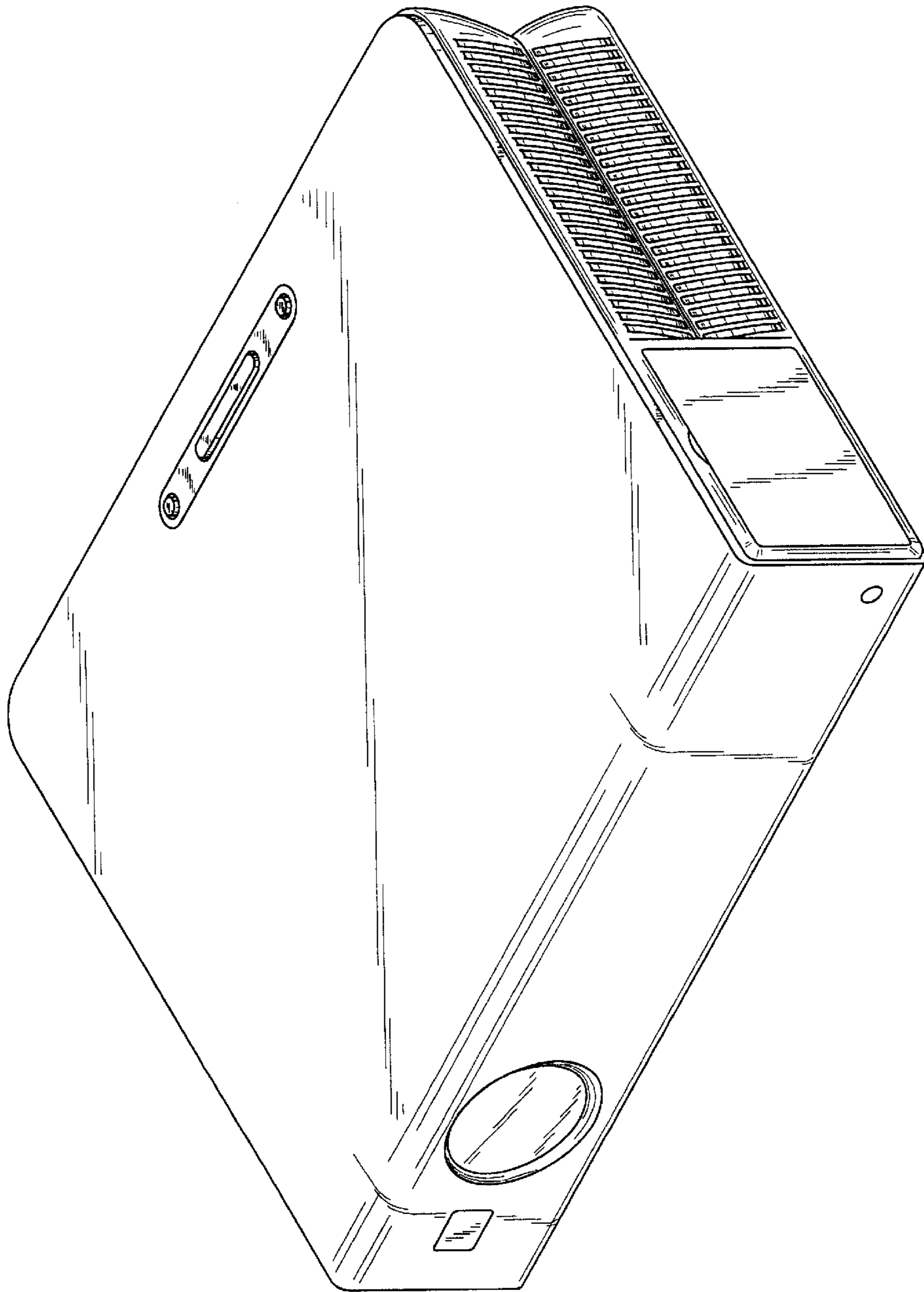


Fig. 1

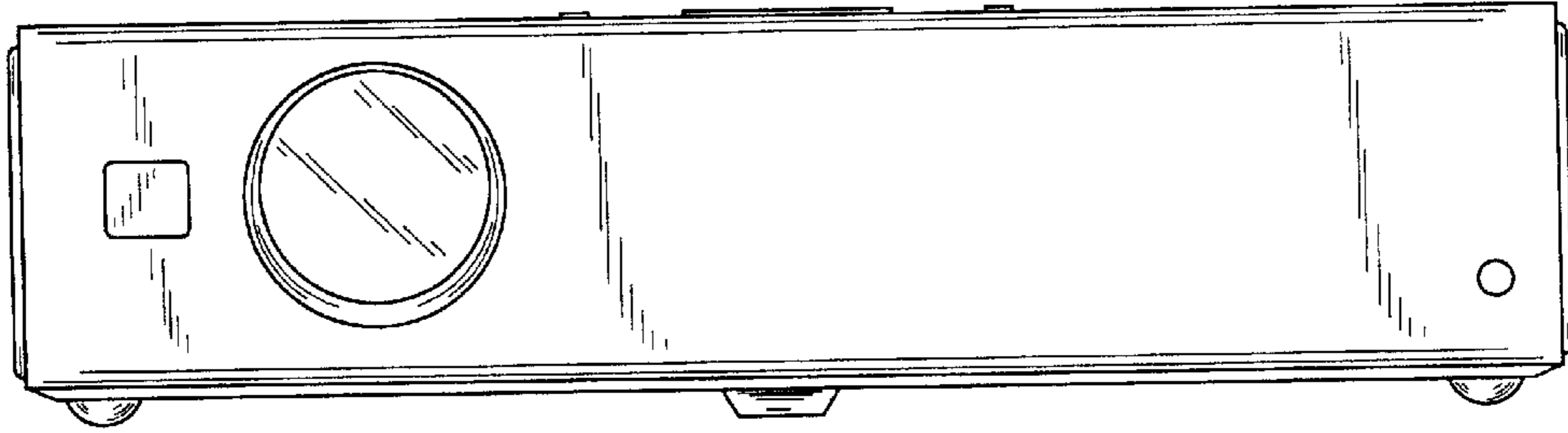


Fig. 2

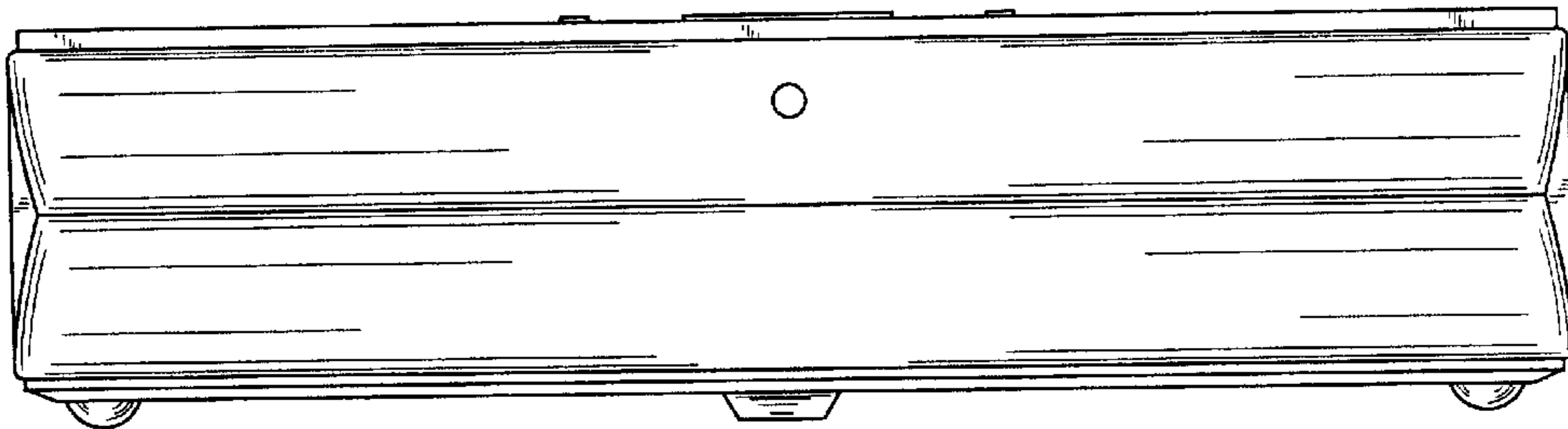


Fig. 3

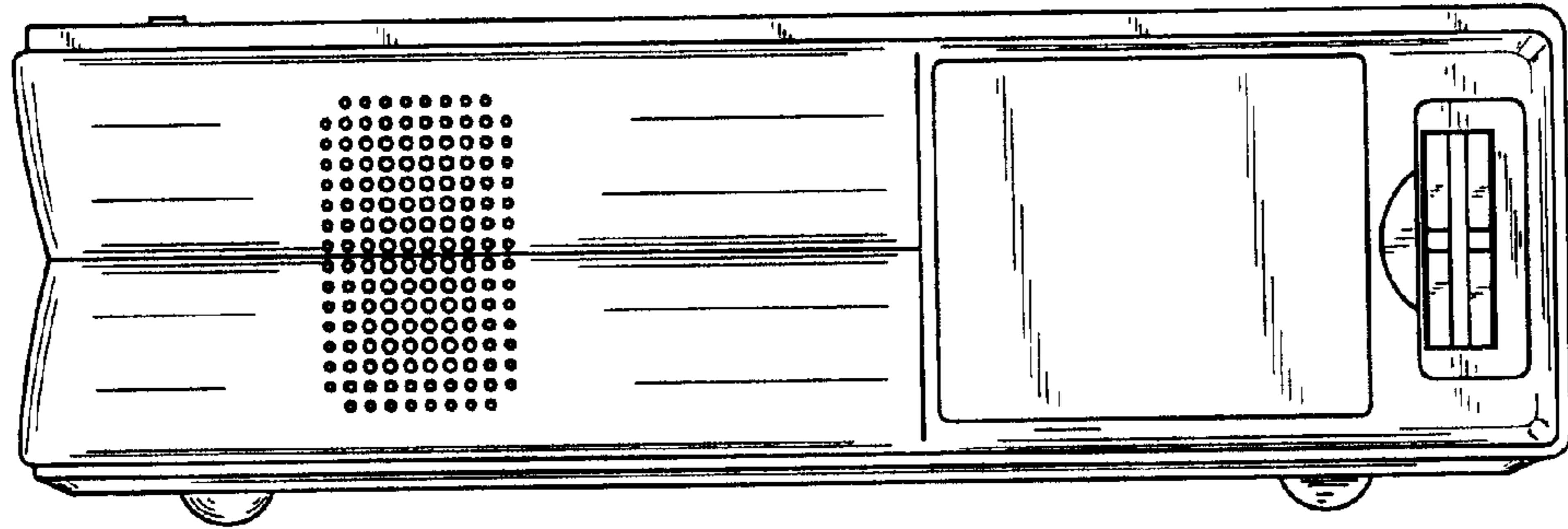


Fig. 4

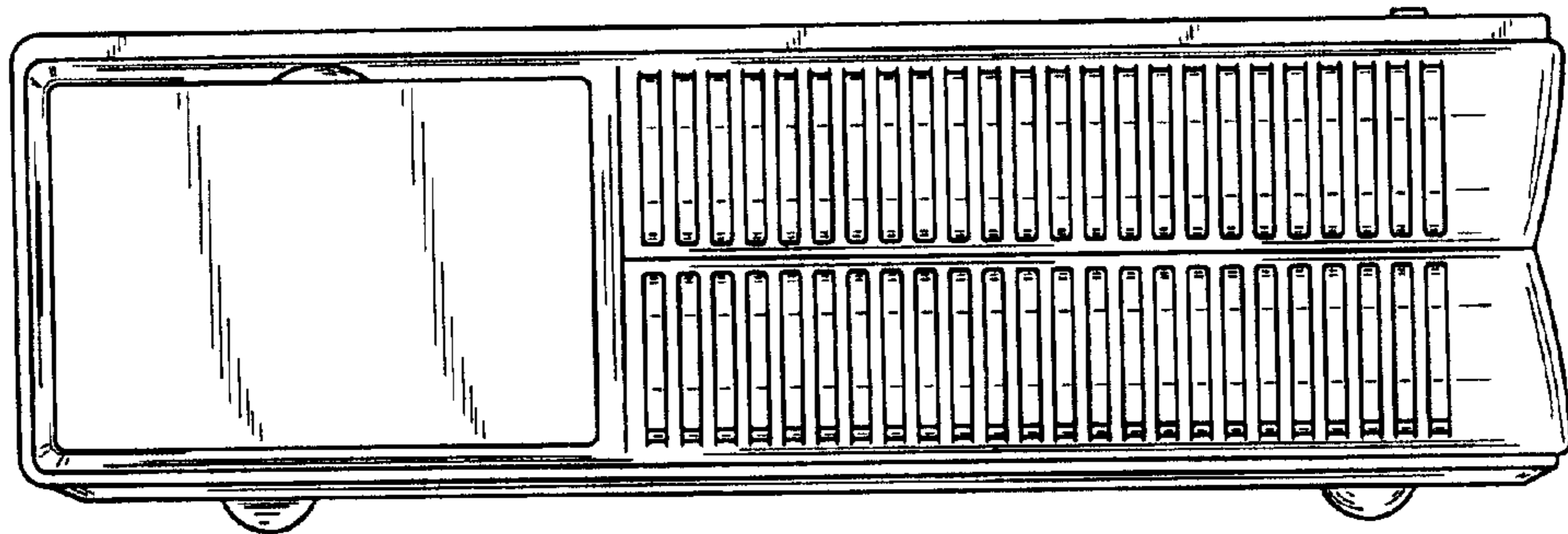


Fig. 5

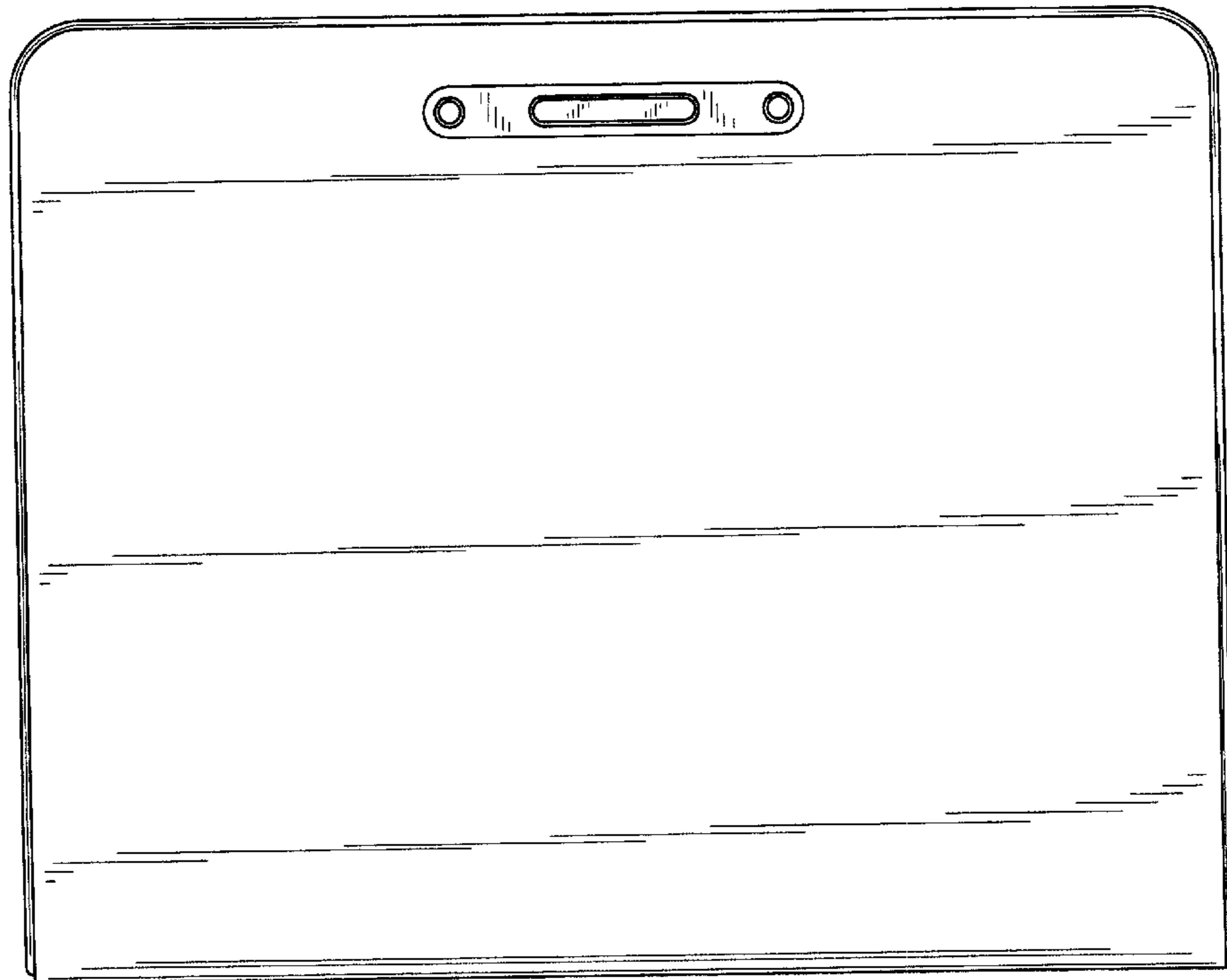


Fig. 6

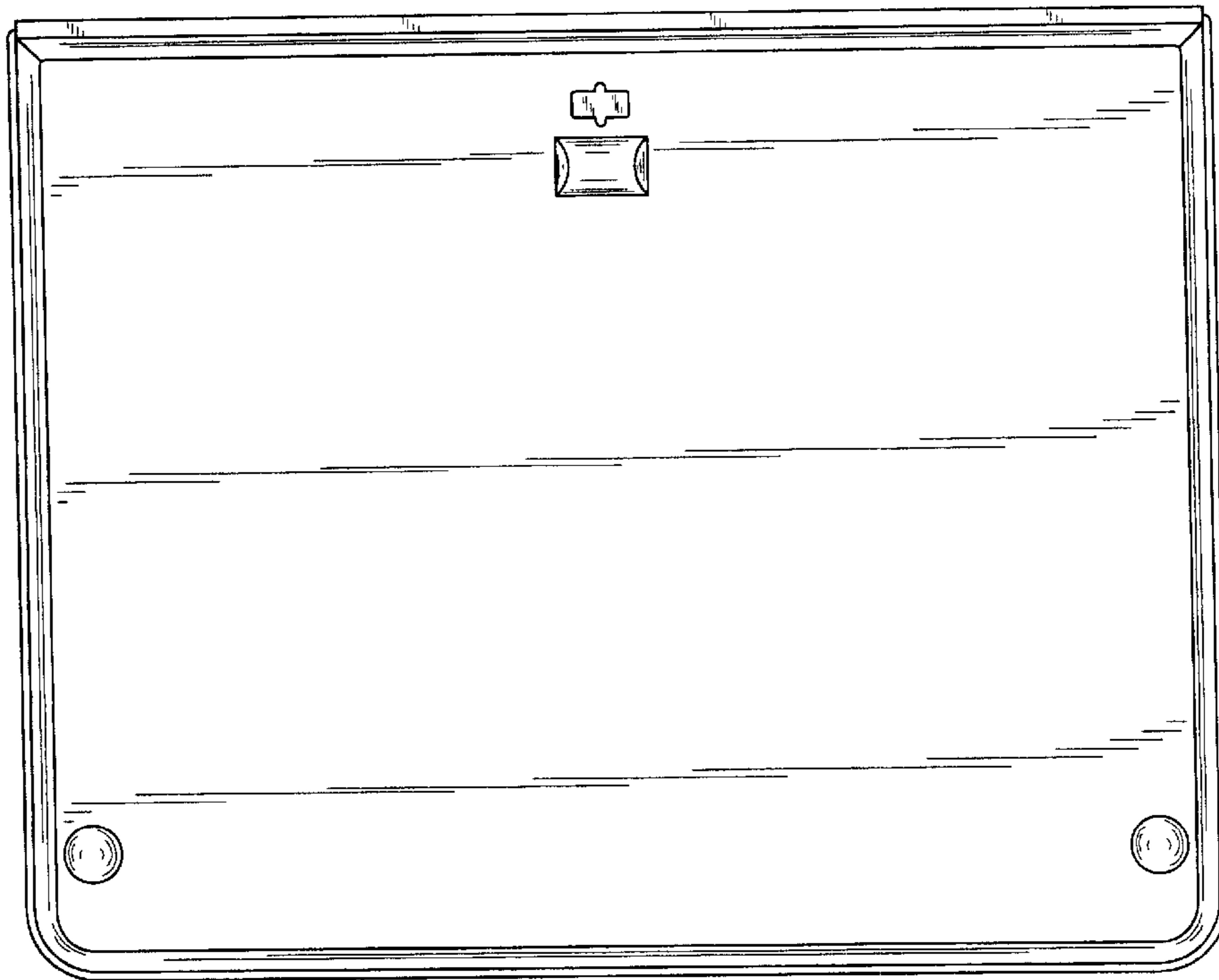


Fig. 7