



US00D467603S

(12) **United States Design Patent**
Senda

(10) **Patent No.:** **US D467,603 S**

(45) **Date of Patent:** **** Dec. 24, 2002**

(54) **CAMERA**

6,305,852 B1 * 10/2001 Suzuki et al. 396/349
D457,543 S * 5/2002 Petravic et al. D16/219

(75) Inventor: **Yutaka Senda**, Tokyo (JP)

* cited by examiner

(73) Assignee: **Fuji Photo Film Co., Ltd.**, Kanagawa (JP)

Primary Examiner—Adir Aronovich

(74) *Attorney, Agent, or Firm*—Young & Thompson

(**) Term: **14 Years**

(57) **CLAIM**

(21) Appl. No.: **29/154,515**

The ornamental design for a camera, as shown and described.

(22) Filed: **Jan. 28, 2002**

DESCRIPTION

(30) **Foreign Application Priority Data**

Jul. 26, 2001 (JP) 2001-021778

(51) **LOC (7) Cl.** **16-05**

(52) **U.S. Cl.** **D16/219; D16/218**

(58) **Field of Search** D16/200–206,
D16/208, 209, 217, 218, 219; 396/6, 7,
535–541

FIG. 1 is a top, front and side perspective view of a camera showing my new design;

FIG. 2 is a front elevational view thereof;

FIG. 3 is a rear elevational view thereof;

FIG. 4 is a top plan view thereof;

FIG. 5 is a bottom plan view thereof;

FIG. 6 is a side elevational view thereof from the right of FIG. 2; and,

FIG. 7 is a side elevational view thereof from the left of FIG. 2.

The parts shown in broken line are shown only to illustrate the environment of the present invention and form no part of the present invention.

(56) **References Cited**

U.S. PATENT DOCUMENTS

D145,982 S * 11/1946 Mayer D16/218

D148,801 S * 2/1948 Lawson D16/218

5,974,266 A * 10/1999 DiRisio et al. 396/6

1 Claim, 4 Drawing Sheets

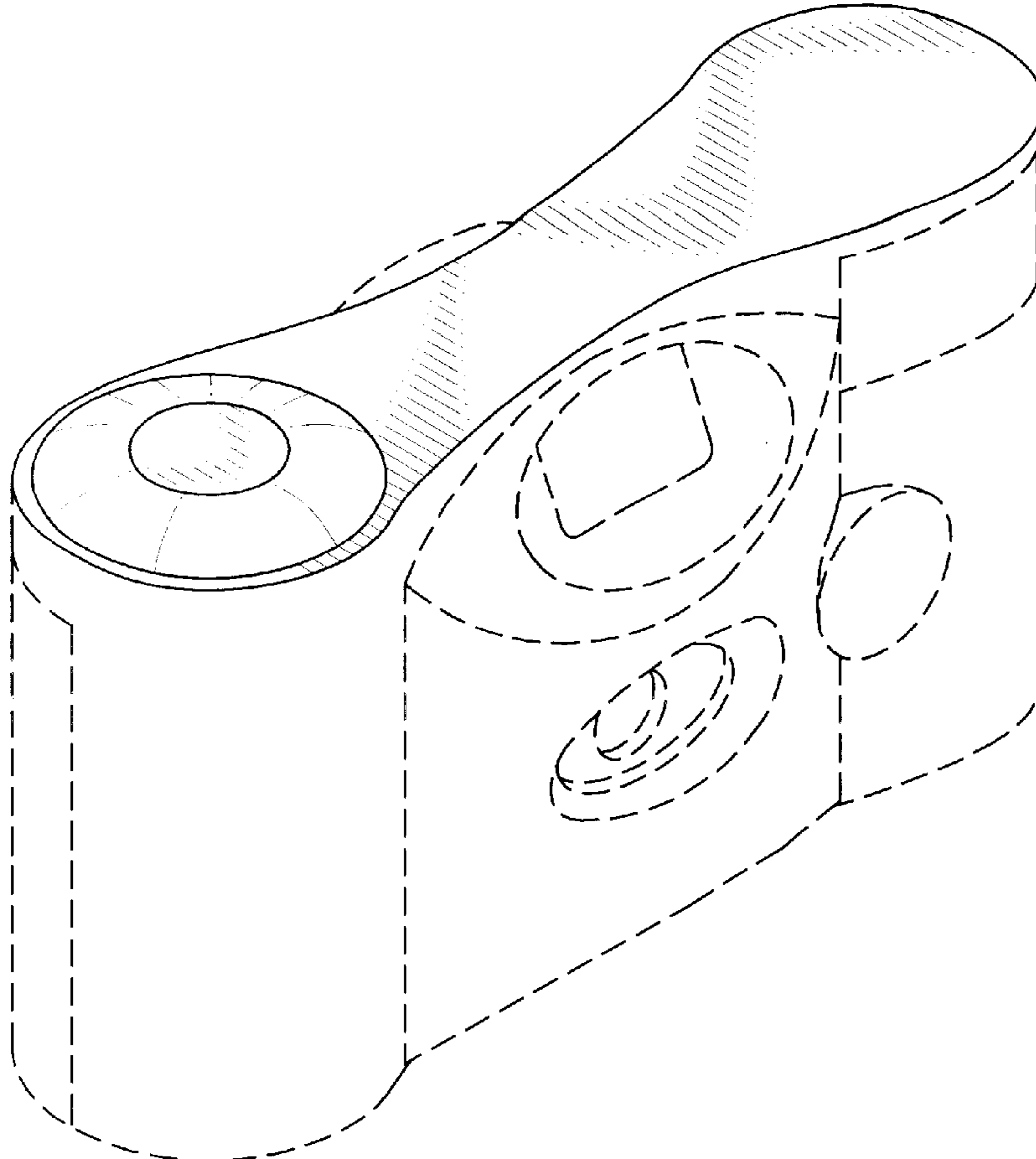


FIG. 1

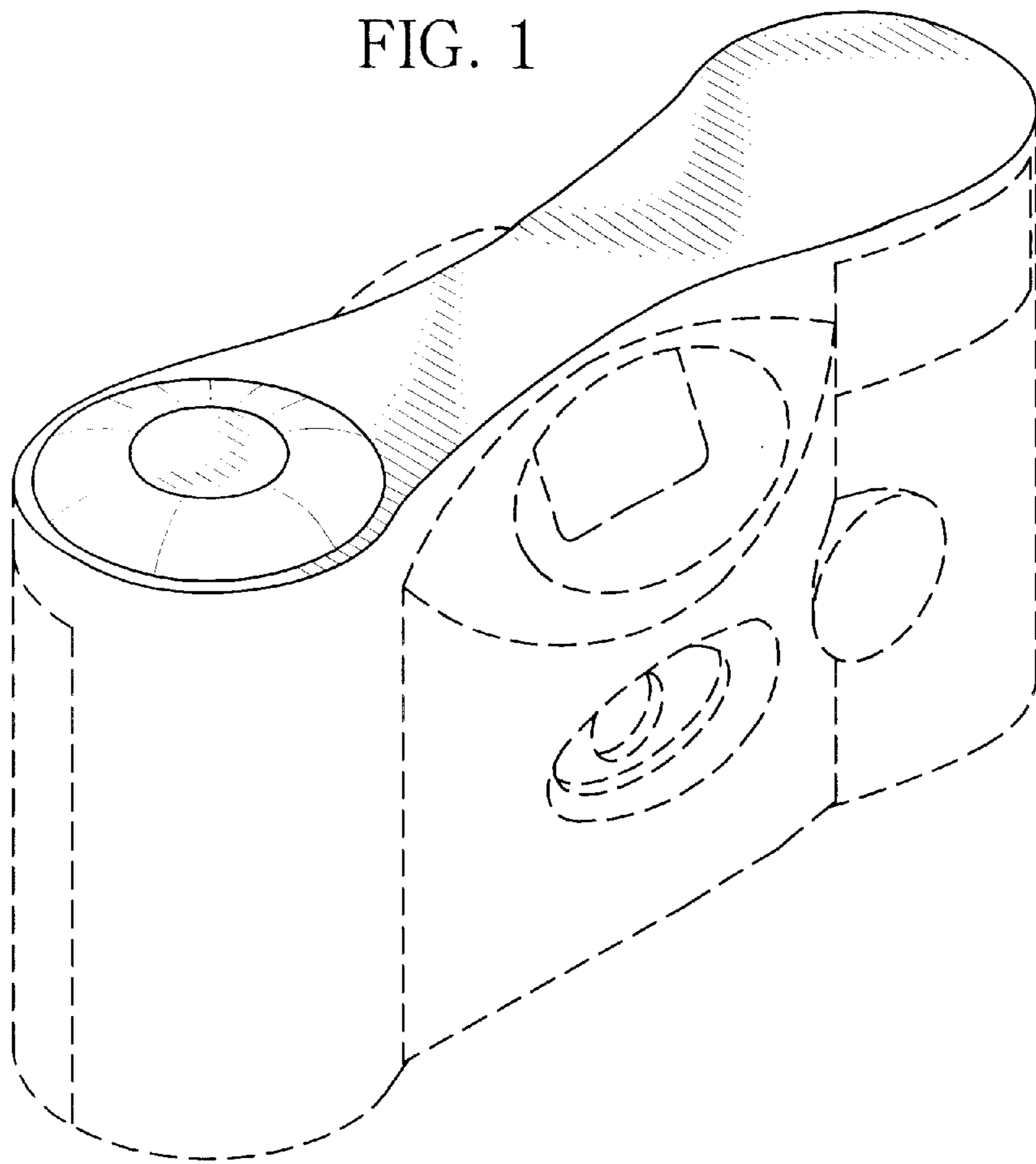


FIG. 2

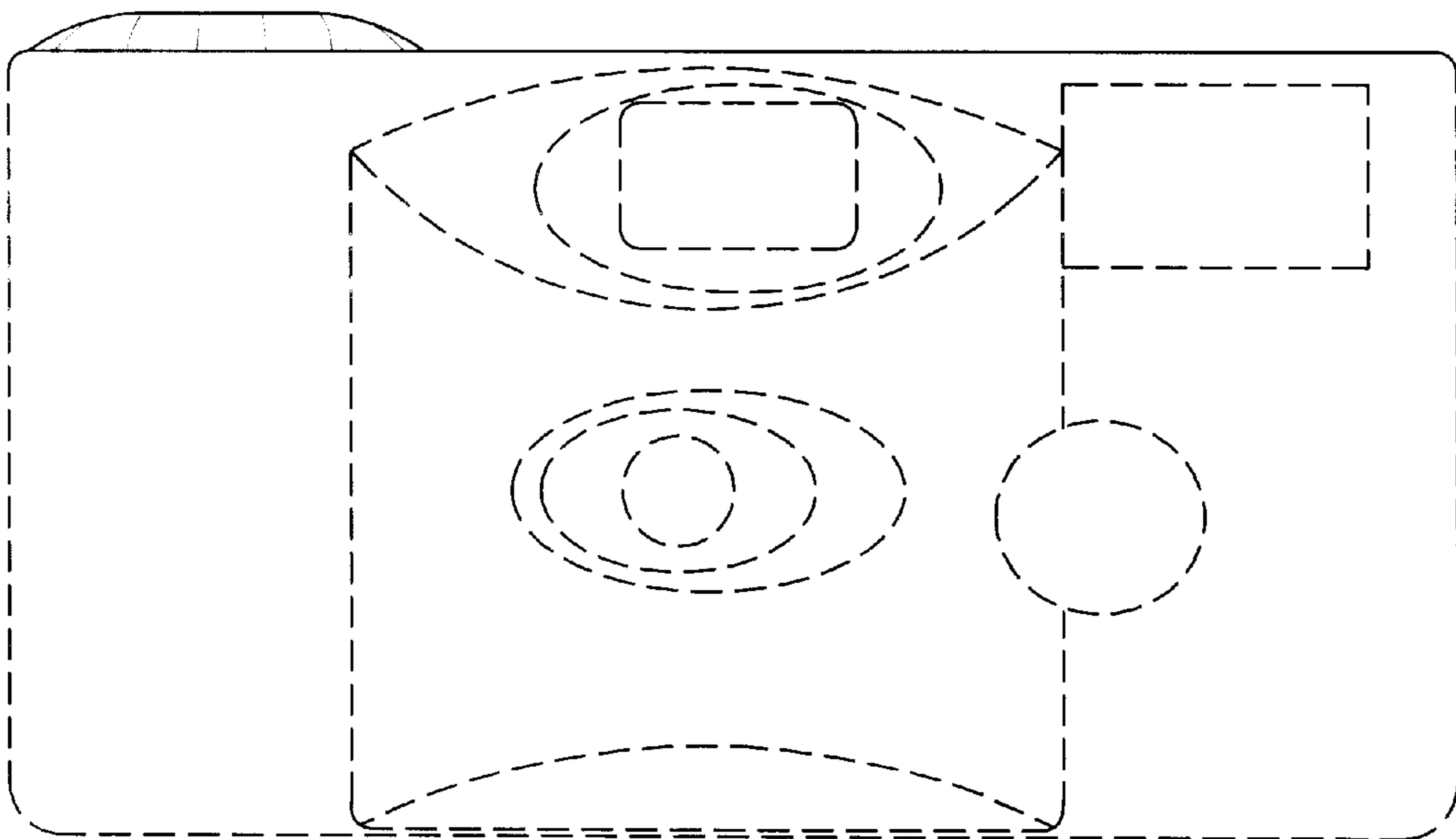


FIG. 3

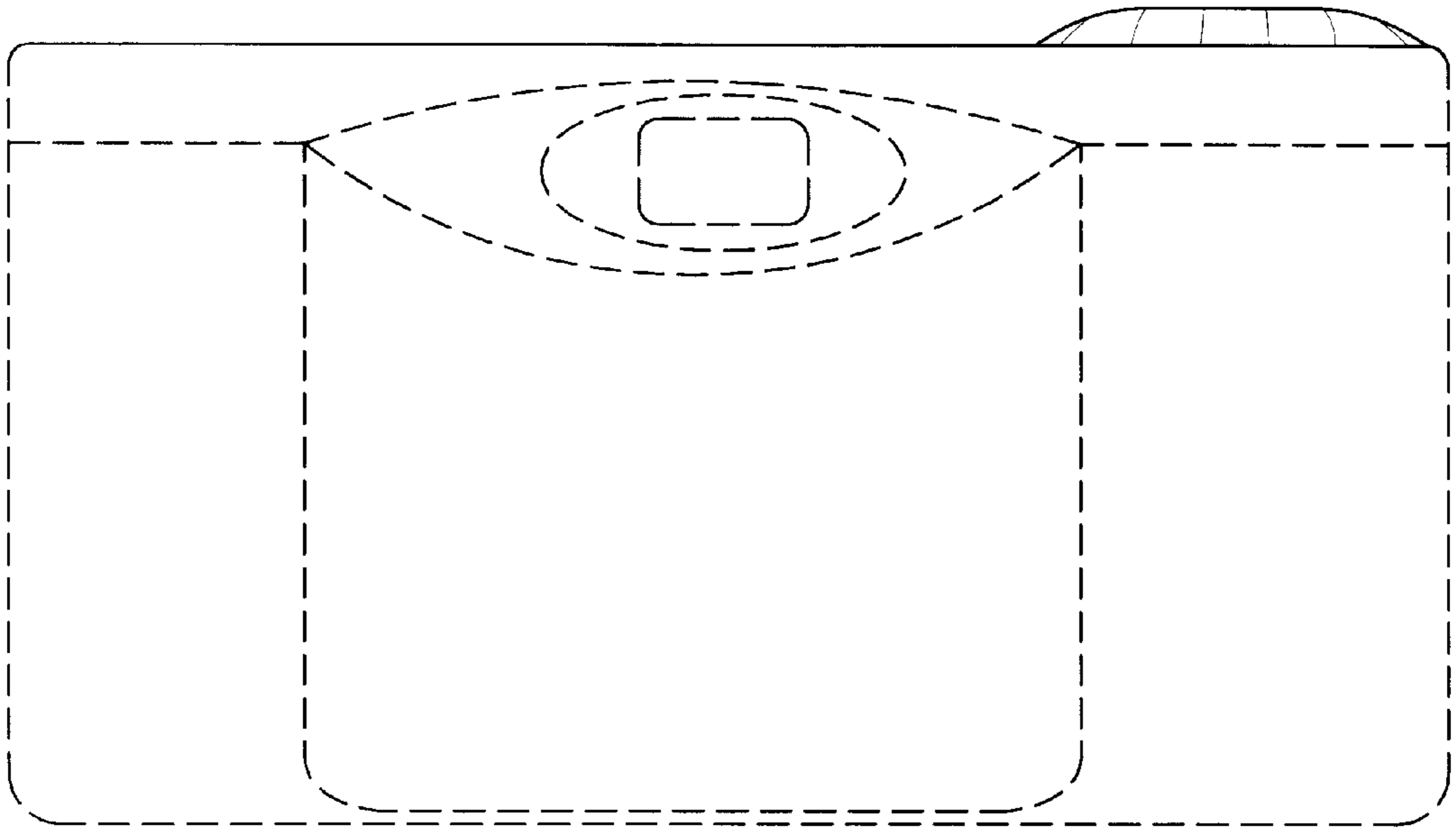


FIG. 4

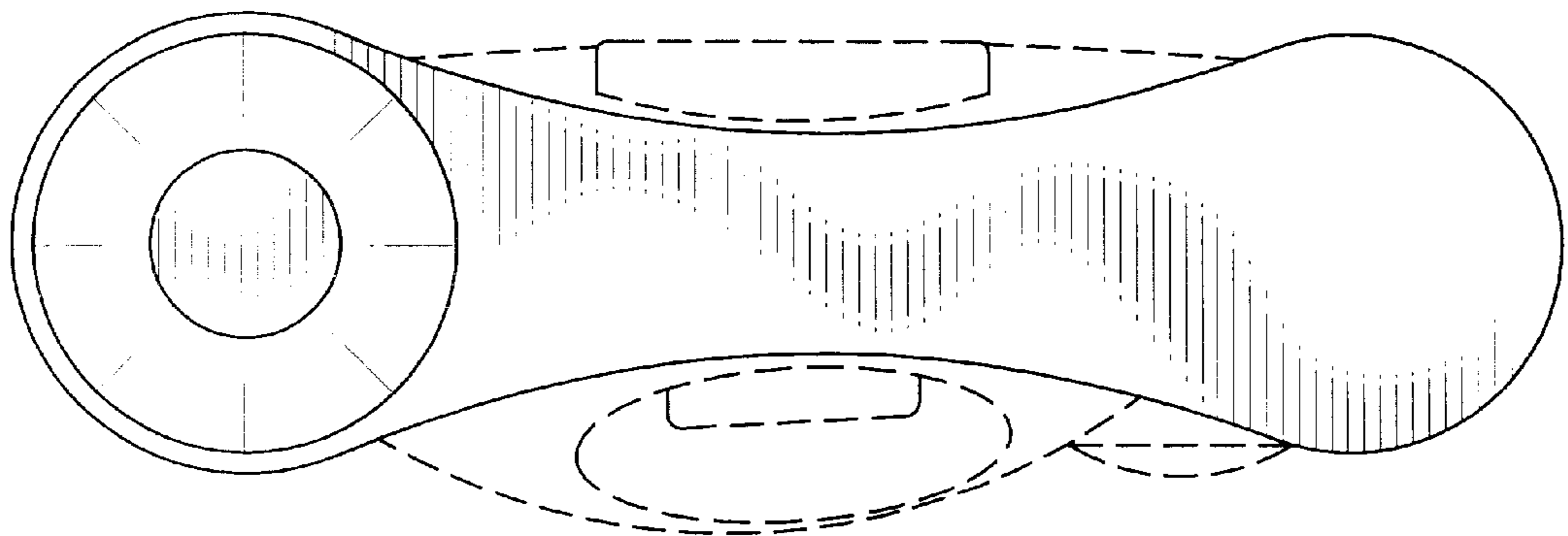


FIG. 5

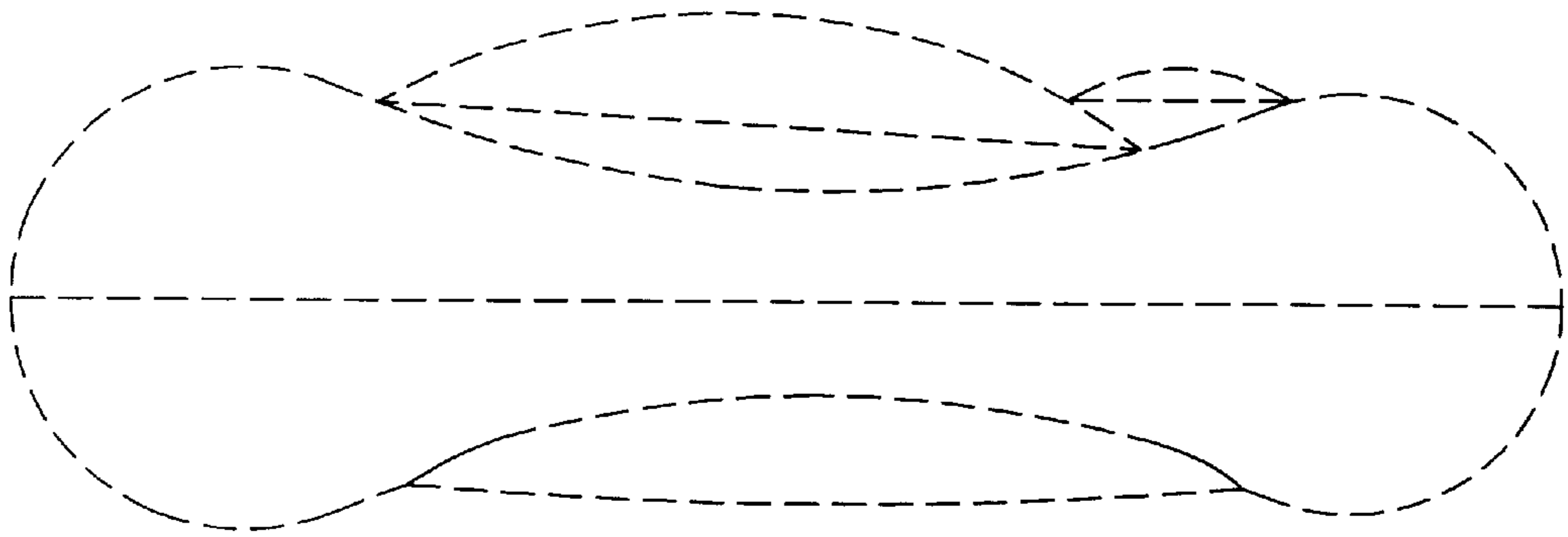


FIG. 6

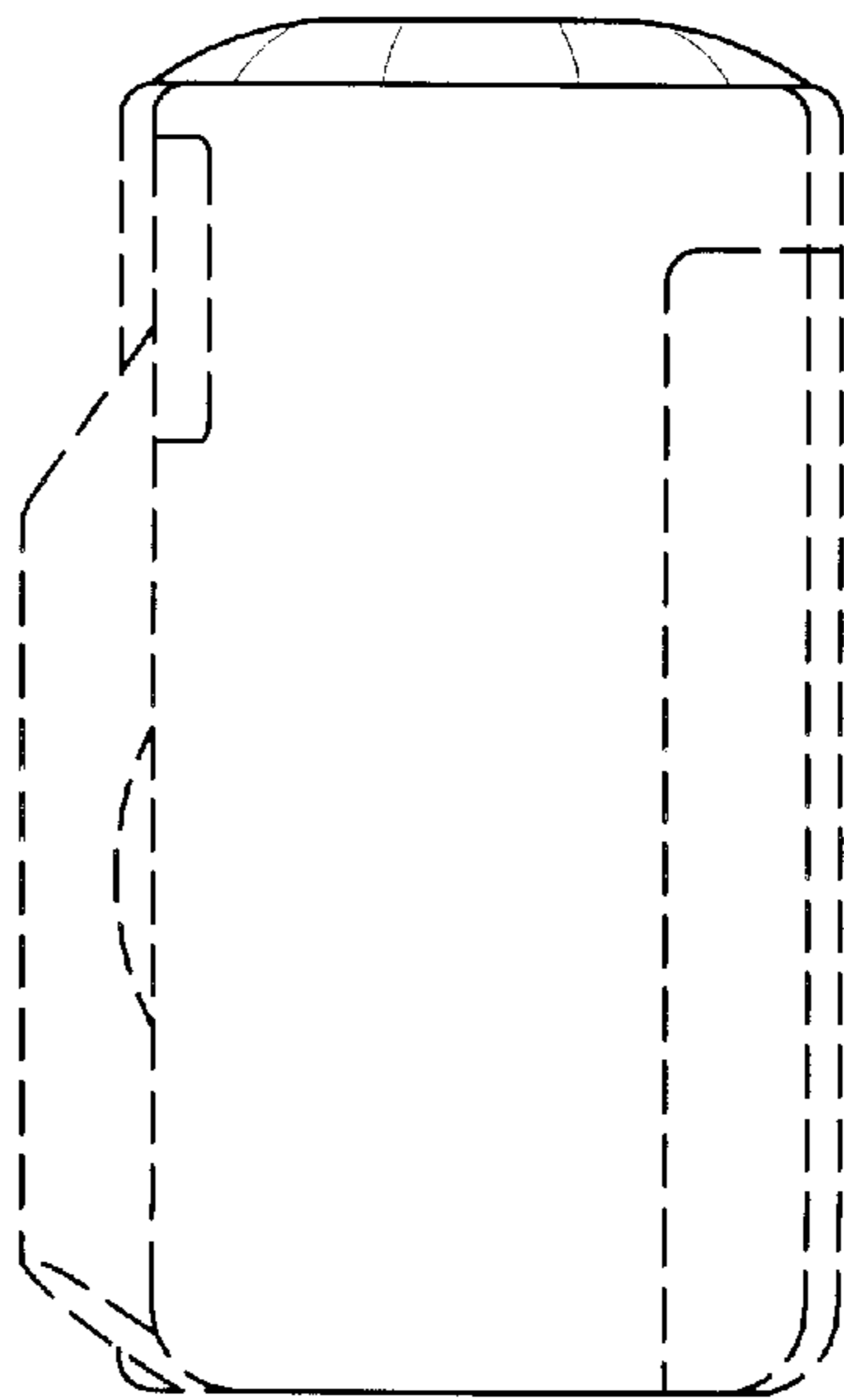


FIG. 7

