



US00D467602S

(12) **United States Design Patent**
Katayama

(10) **Patent No.:** **US D467,602 S**

(45) **Date of Patent:** **** Dec. 24, 2002**

(54) **DIGITAL STILL CAMERA**

(75) Inventor: **Yuji Katayama**, Tokyo (JP)

(73) Assignee: **Kabushiki Kaisha Toshiba** (JP)

(**) Term: **14 Years**

(21) Appl. No.: **29/157,207**

(22) Filed: **Mar. 15, 2002**

(30) **Foreign Application Priority Data**

Oct. 11, 2001 (JP) 2001-029906

(51) **LOC (7) Cl.** **16-01**

(52) **U.S. Cl.** **D16/202; D16/218**

(58) **Field of Search** **D16/200-206,**
D16/208, 209, 218; 348/373-376; 358/906,
909.1

(56) **References Cited**

U.S. PATENT DOCUMENTS

- 4,456,931 A * 6/1984 Toyoda et al. 358/906
- 4,530,014 A * 7/1985 d'Arc 358/909.1
- D374,449 S * 10/1996 Fukushima et al. D16/208
- D387,078 S * 12/1997 Akita D16/202
- D394,074 S * 5/1998 Yamanouchi D16/202
- D396,482 S * 7/1998 Yamanouchi D16/202

- D430,185 S * 8/2000 Eto et al. D16/218
- D450,734 S * 11/2001 Shinano D16/202

FOREIGN PATENT DOCUMENTS

- JP 1029970 1/1999
- JP 1030498 1/1999
- JP 1030956 1/1999
- JP 1066235 4/2000
- JP 1089238 10/2000

* cited by examiner

Primary Examiner—Adir Aronovich

(74) *Attorney, Agent, or Firm*—Banner & Witcoff, Ltd.

(57) **CLAIM**

The ornamental design for a digital still camera, as shown and described.

DESCRIPTION

FIG. 1 is a top, front and right side perspective view of a digital still camera showing my new design, FIG. 2 is a front elevational view thereof, FIG. 3 is a top plan view thereof, FIG. 4 is a left side elevational view thereof, FIG. 5 is a right side elevational view thereof, FIG. 6 is a rear elevational view thereof; and, FIG. 7 is a bottom plan view thereof.

1 Claim, 4 Drawing Sheets

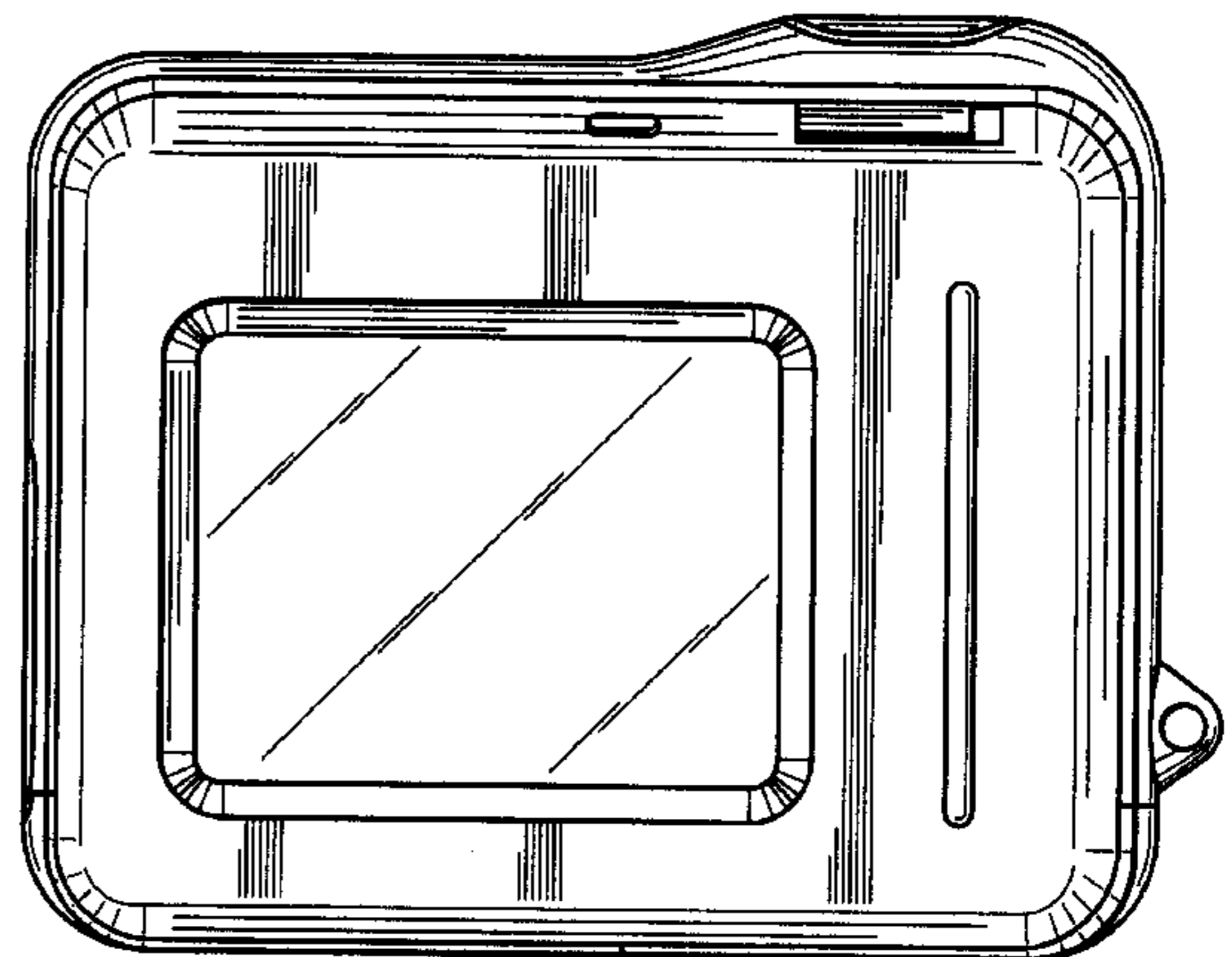
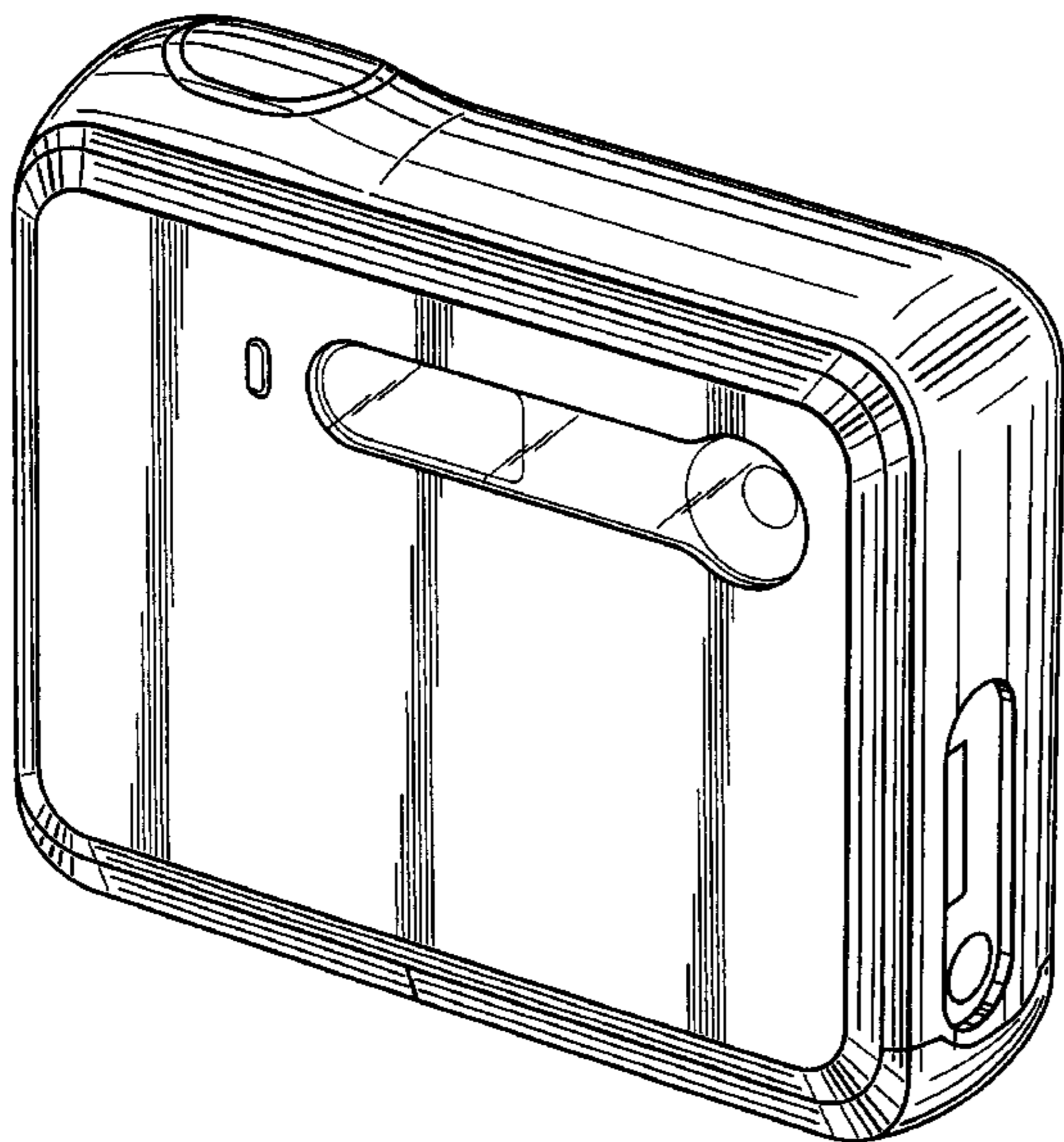


FIG. 1

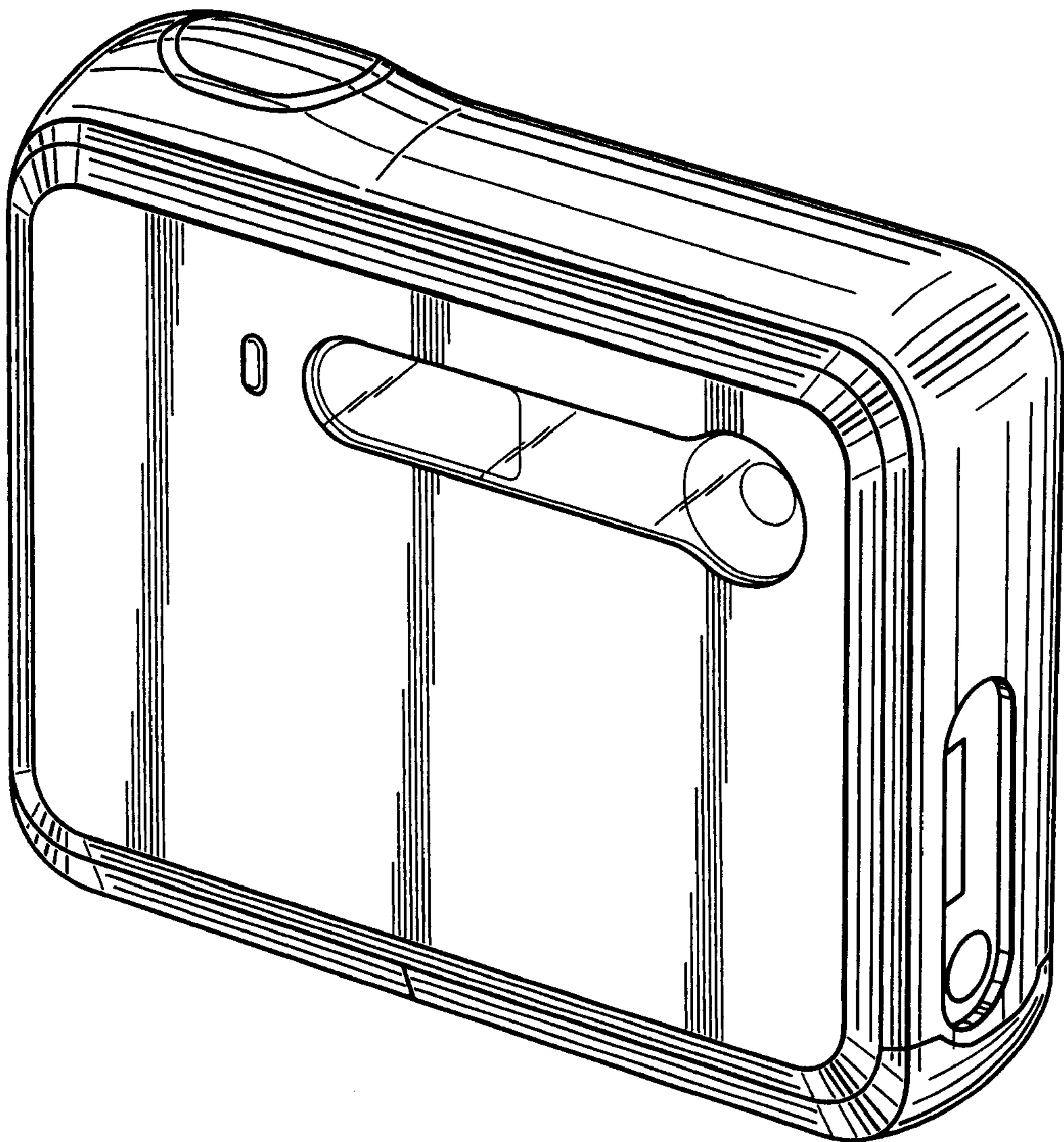


FIG. 2

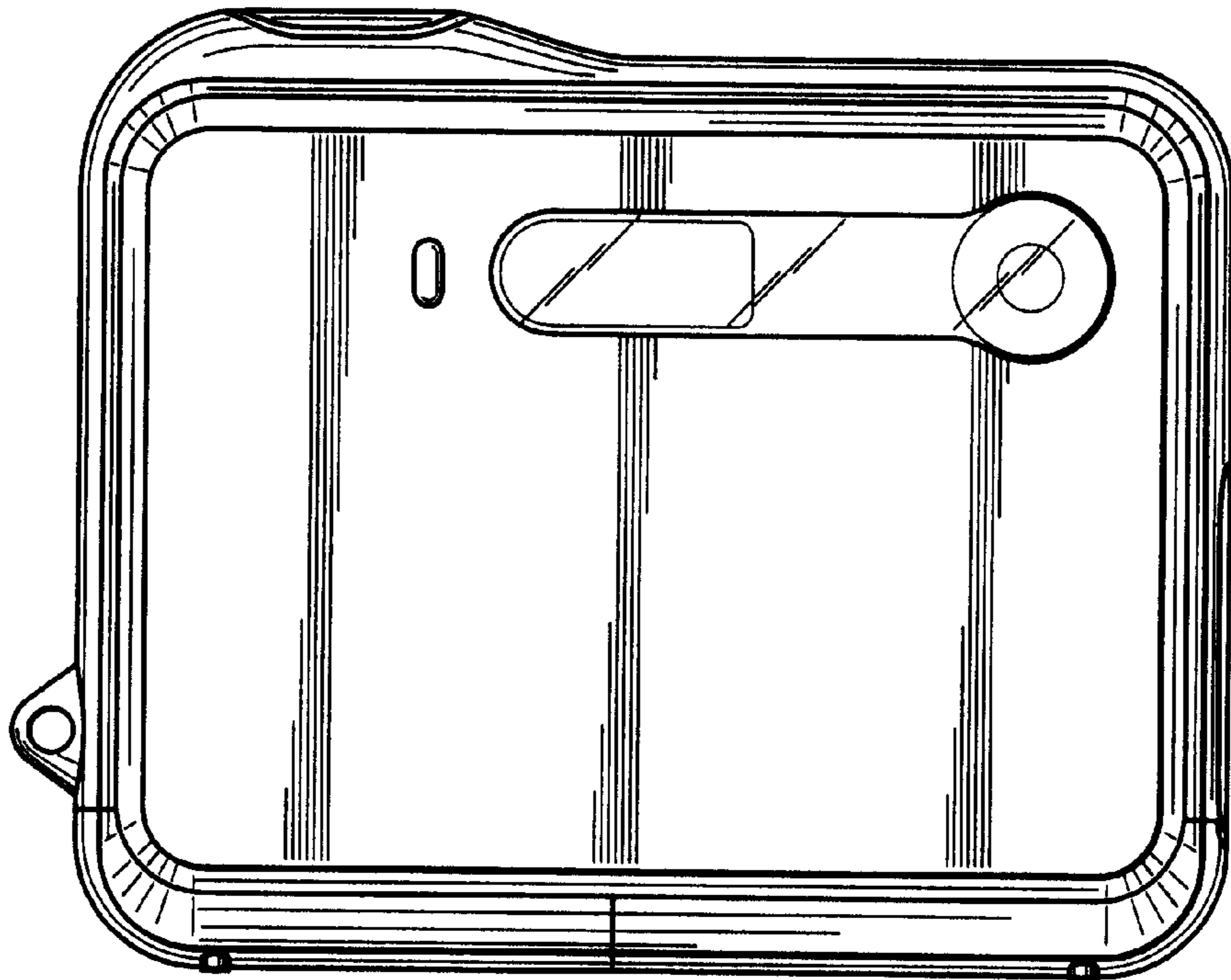


FIG. 3

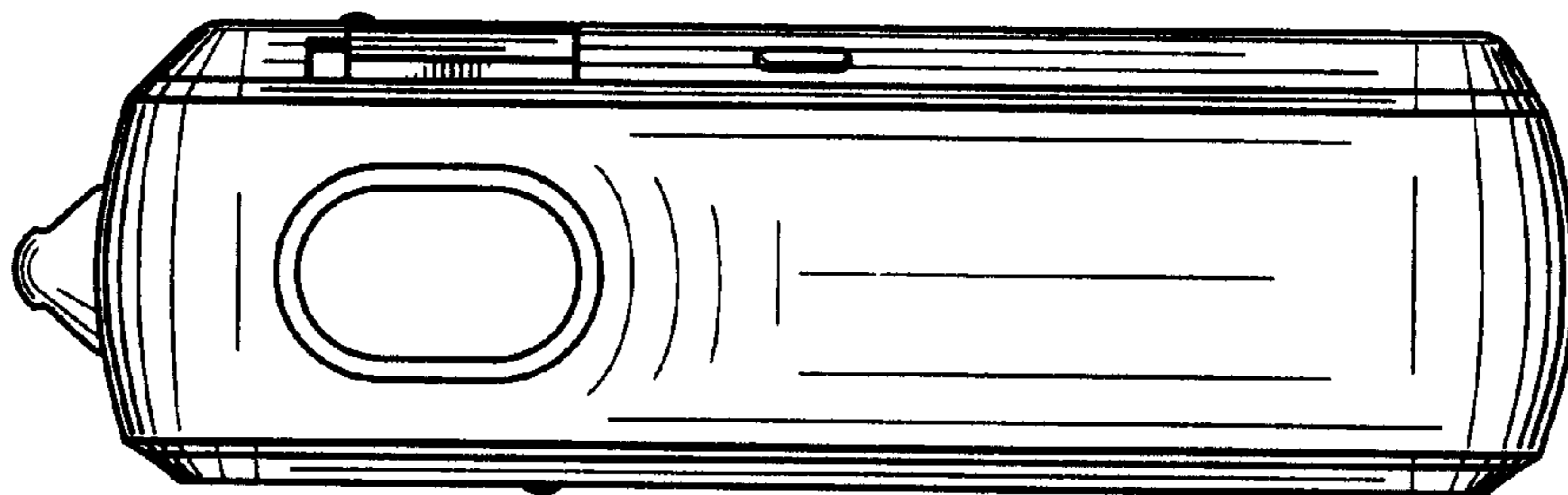


FIG. 4

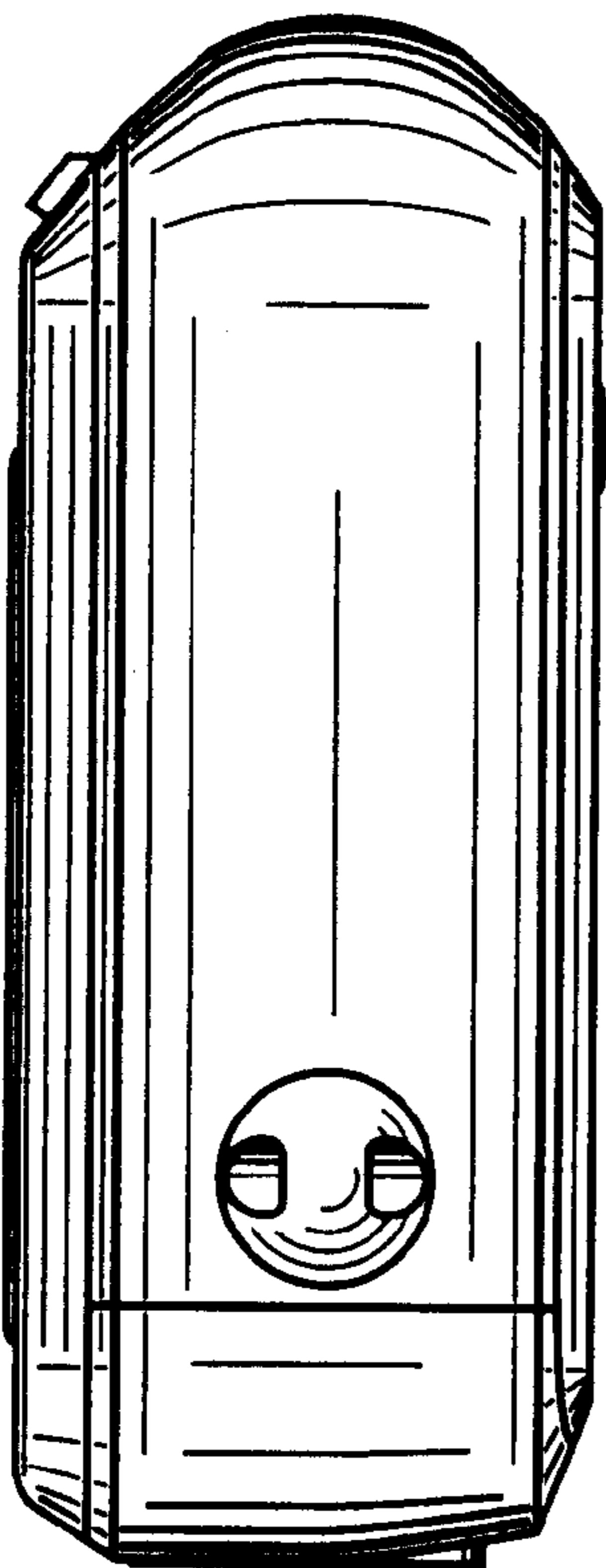


FIG. 5

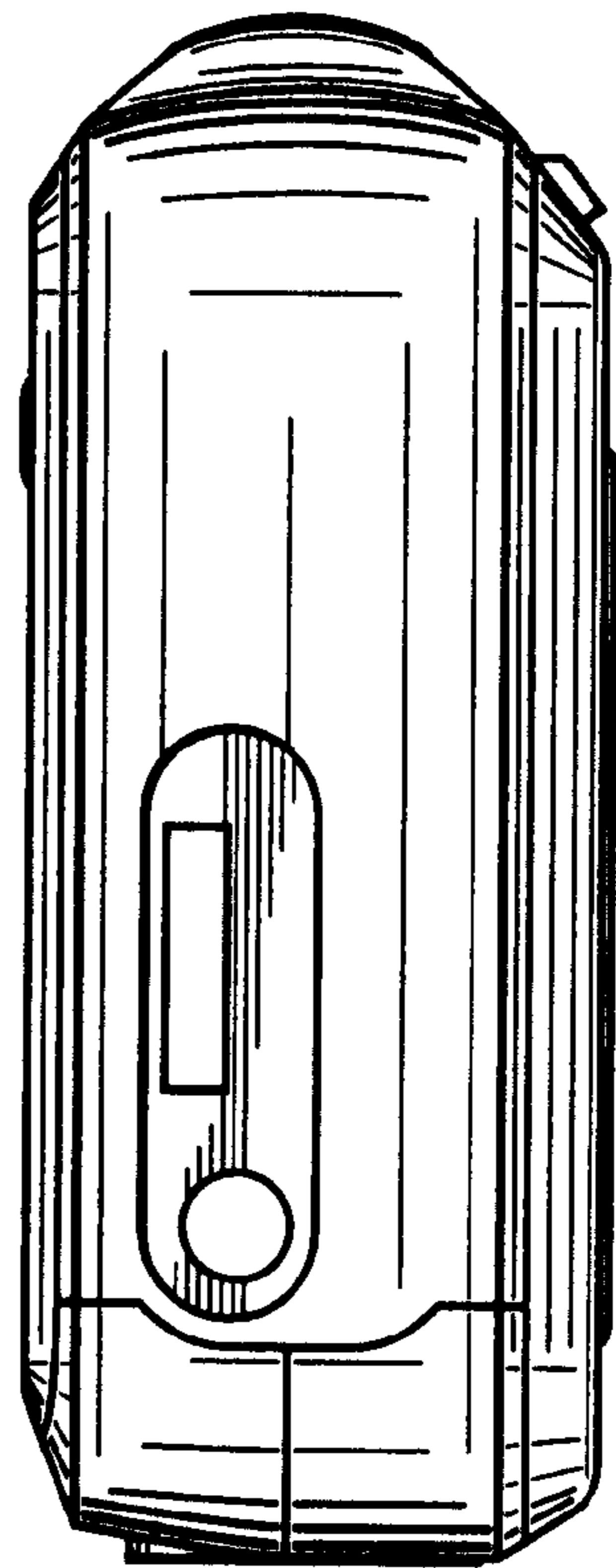


FIG. 6

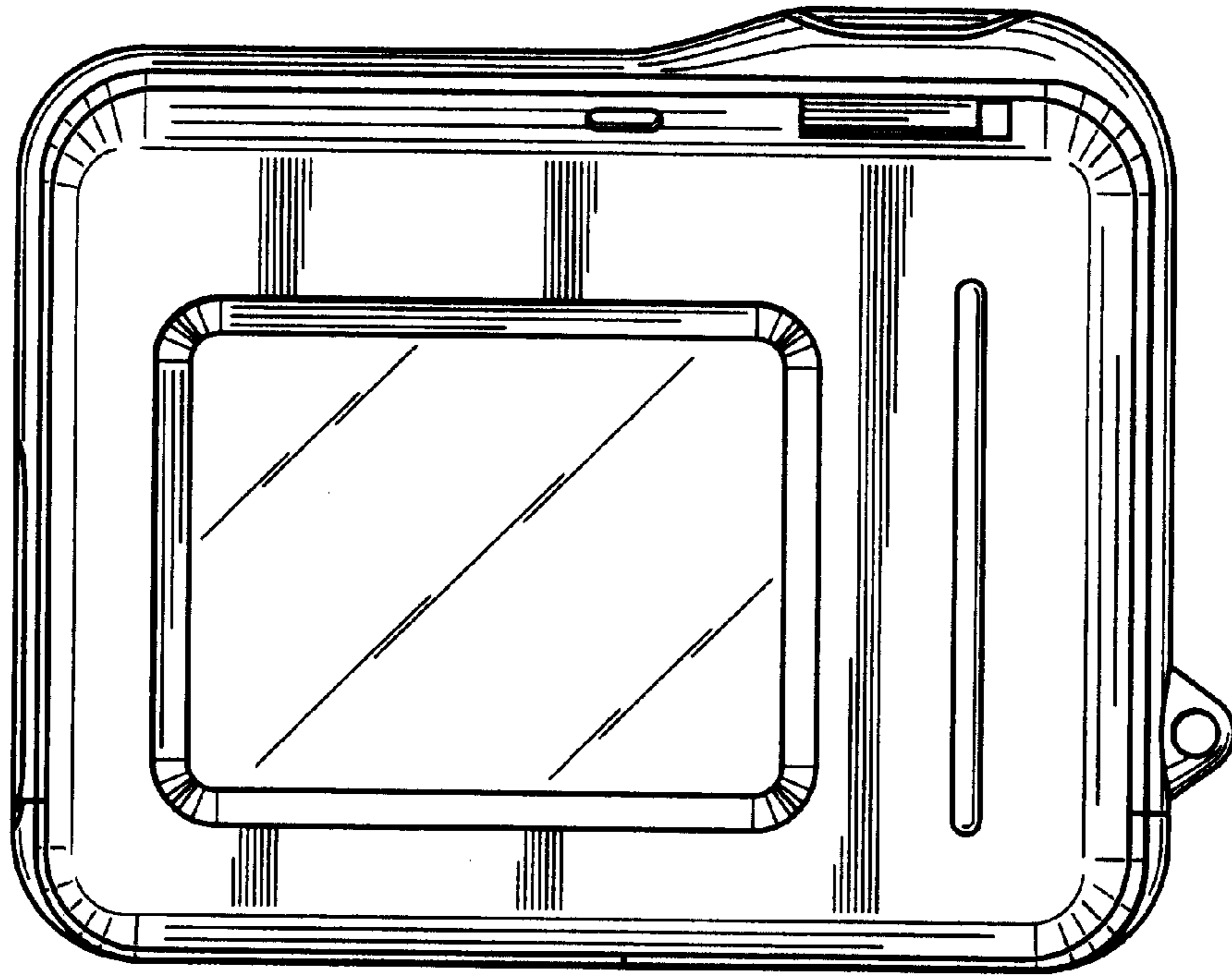


FIG. 7

