



US00D467601S

(12) **United States Design Patent**  
**Kojima et al.**

(10) **Patent No.:** **US D467,601 S**

(45) **Date of Patent:** **\*\* Dec. 24, 2002**

(54) **VIDEO CAMERA WITH DIGITAL VIDEO DISC PLAYER**

(75) Inventors: **Akira Kojima**, Kunitachi (JP);  
**Toshiyuki Moriya**, Tokorozawa (JP);  
**Atsuhiko Urushihara**, Higashiyamato (JP);  
**Keiichi Tadokoro**, Mito (JP);  
**Peter Hohmann**, Milan (IT);  
**Maria Gomez**, Milan (IT)

(73) Assignee: **Hitachi, Ltd.**, Tokyo (JP)

(\*\*) Term: **14 Years**

(21) Appl. No.: **29/154,775**

(22) Filed: **Jan. 31, 2002**

(30) **Foreign Application Priority Data**

Aug. 31, 2001 (JP) ..... 2001-025586

(51) **LOC (7) Cl.** ..... **16-01**

(52) **U.S. Cl.** ..... **D16/202**

(58) **Field of Search** ..... D16/200-206,  
D16/208; 348/373-376; 358/906; 396/535-541

(56) **References Cited**

**U.S. PATENT DOCUMENTS**

D356,589 S \* 3/1995 Sumita ..... D16/202  
5,499,052 A \* 3/1996 Nakanishi et al. .... 348/373

5,739,859 A \* 4/1998 Hattori et al. .... 348/375  
D401,256 S \* 11/1998 Harata ..... D16/202  
D436,365 S \* 1/2001 Harata ..... D16/202  
D439,919 S \* 4/2001 Sumita ..... D16/202  
D441,385 S \* 5/2001 Miyashita ..... D16/202

\* cited by examiner

*Primary Examiner*—Adir Aronovich

(74) *Attorney, Agent, or Firm*—Antonelli, Terry, Stout & Kraus, LLP

(57) **CLAIM**

The ornamental design for a video camera with digital video disc player, as shown and described.

**DESCRIPTION**

FIG. 1 is a front, top and right side perspective view of a video camera with digital video disc player showing our new design;

FIG. 2 is a front elevational view thereof;

FIG. 3 is a top plan elevational view thereof;

FIG. 4 is a rear elevational view thereof;

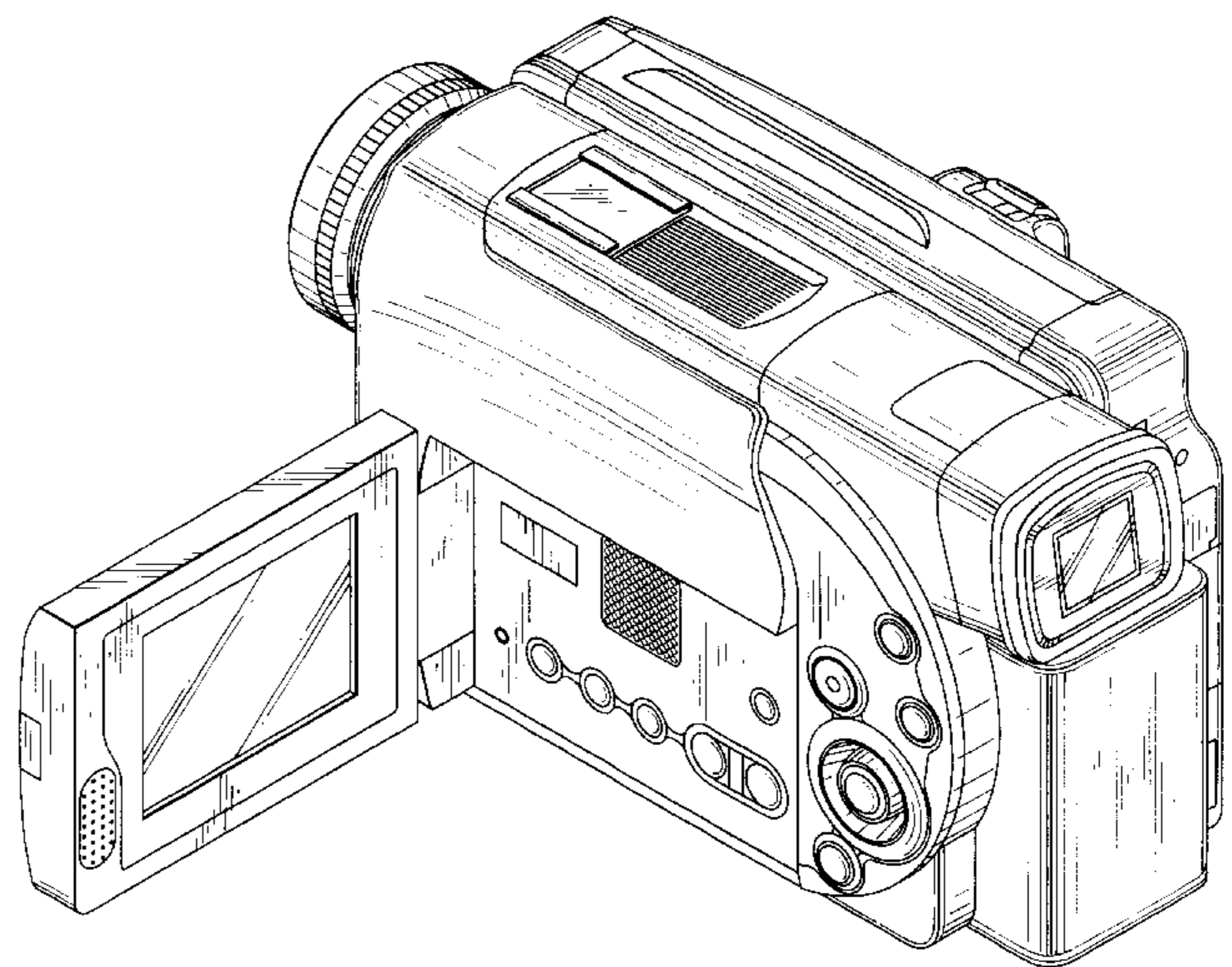
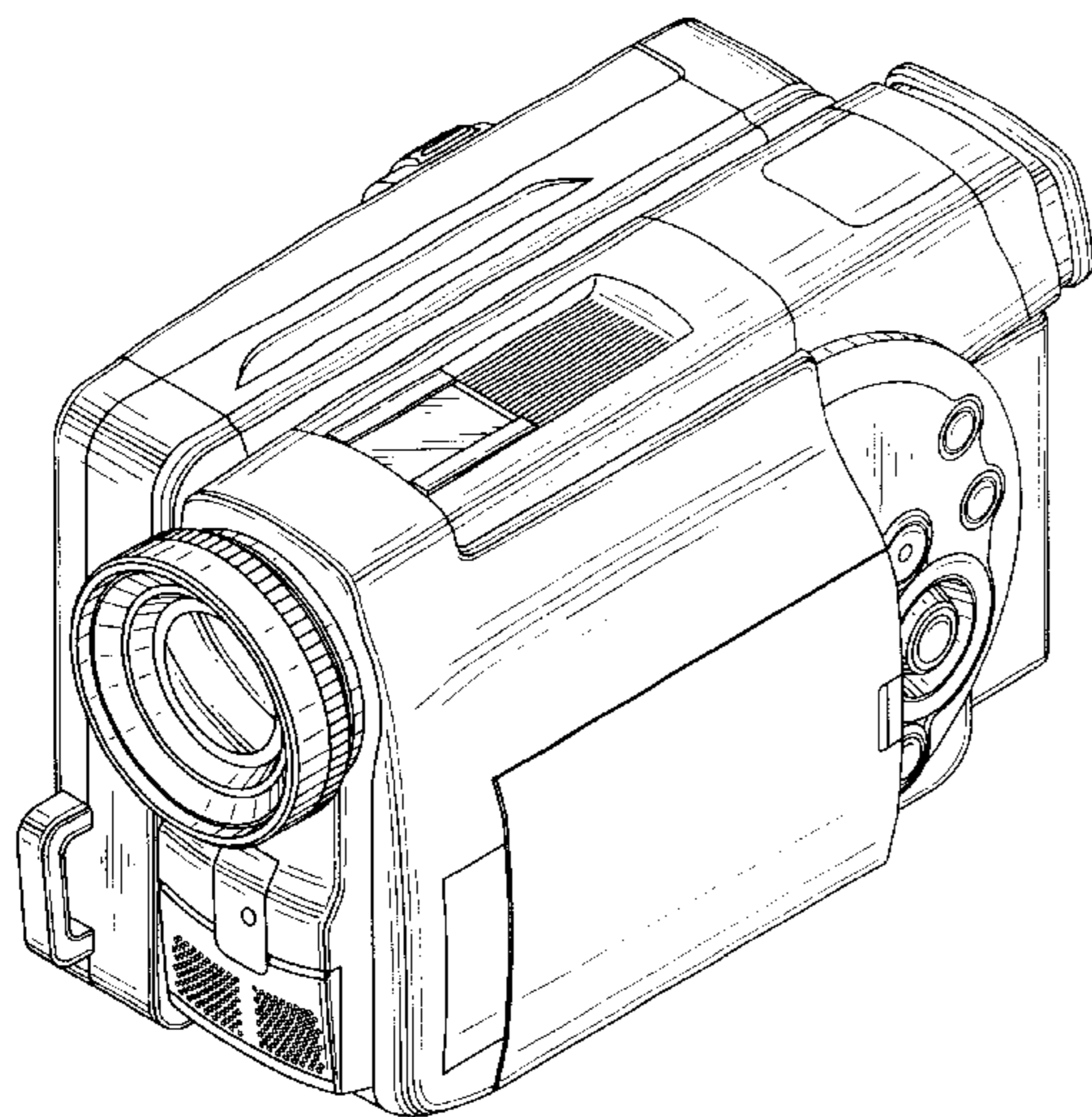
FIG. 5 is a right side elevational view thereof;

FIG. 6 is a left side elevational view thereof;

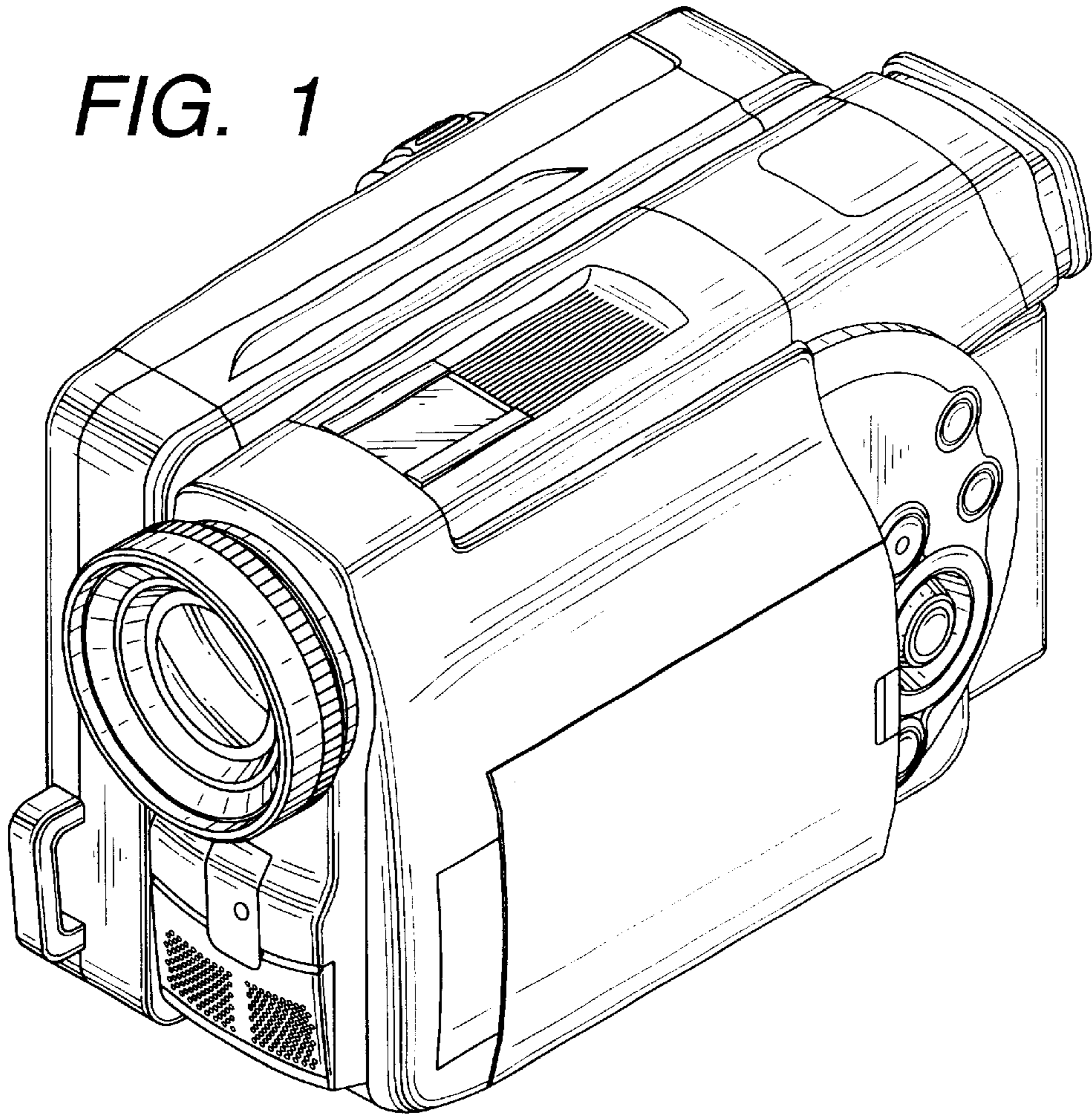
FIG. 7 is a bottom plan elevational view thereof; and,

FIG. 8 is a perspective view of the top, rear, and right side thereof with the liquid crystal monitor in the open position.

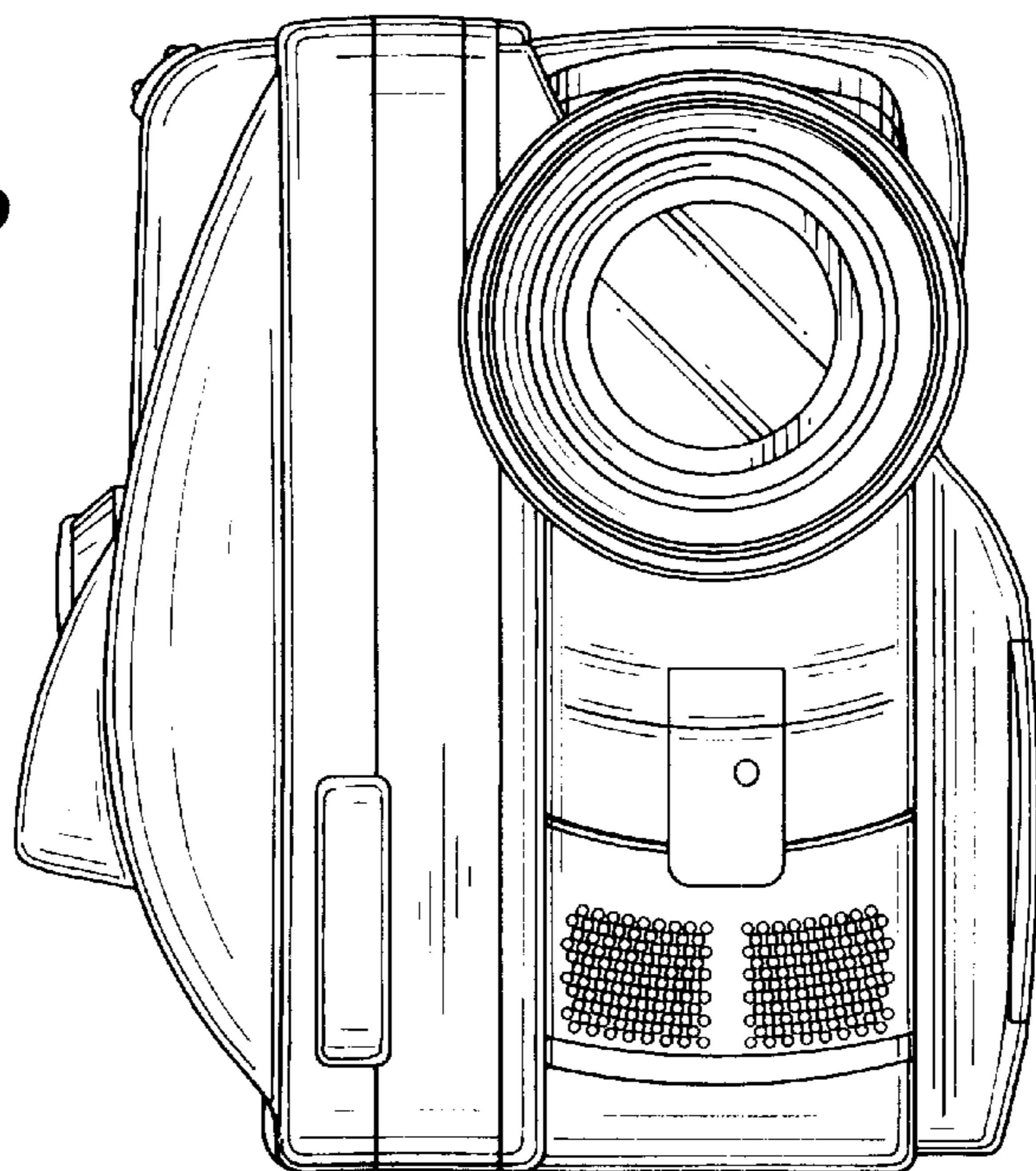
**1 Claim, 5 Drawing Sheets**



*FIG. 1*

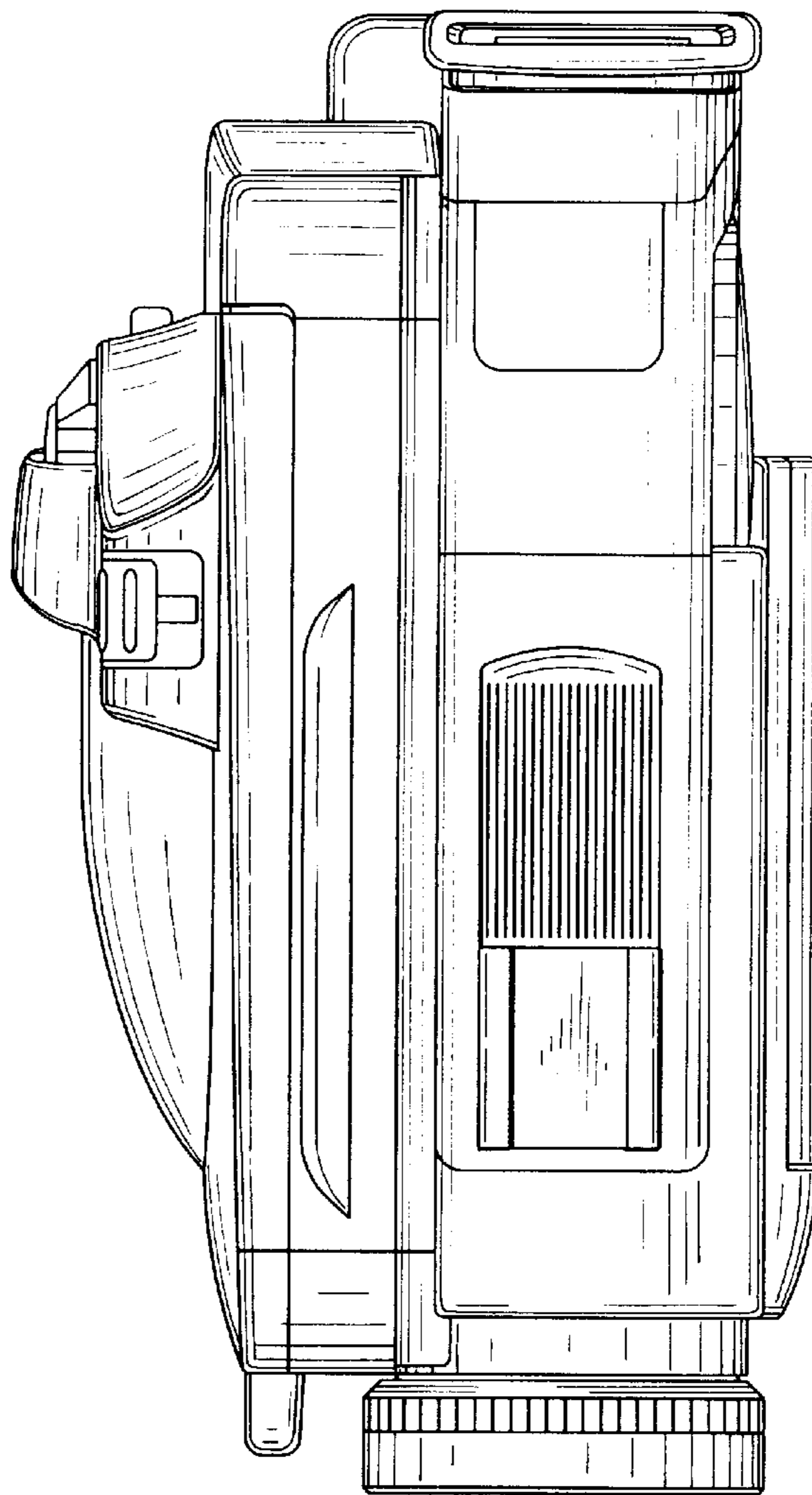


*FIG. 2*

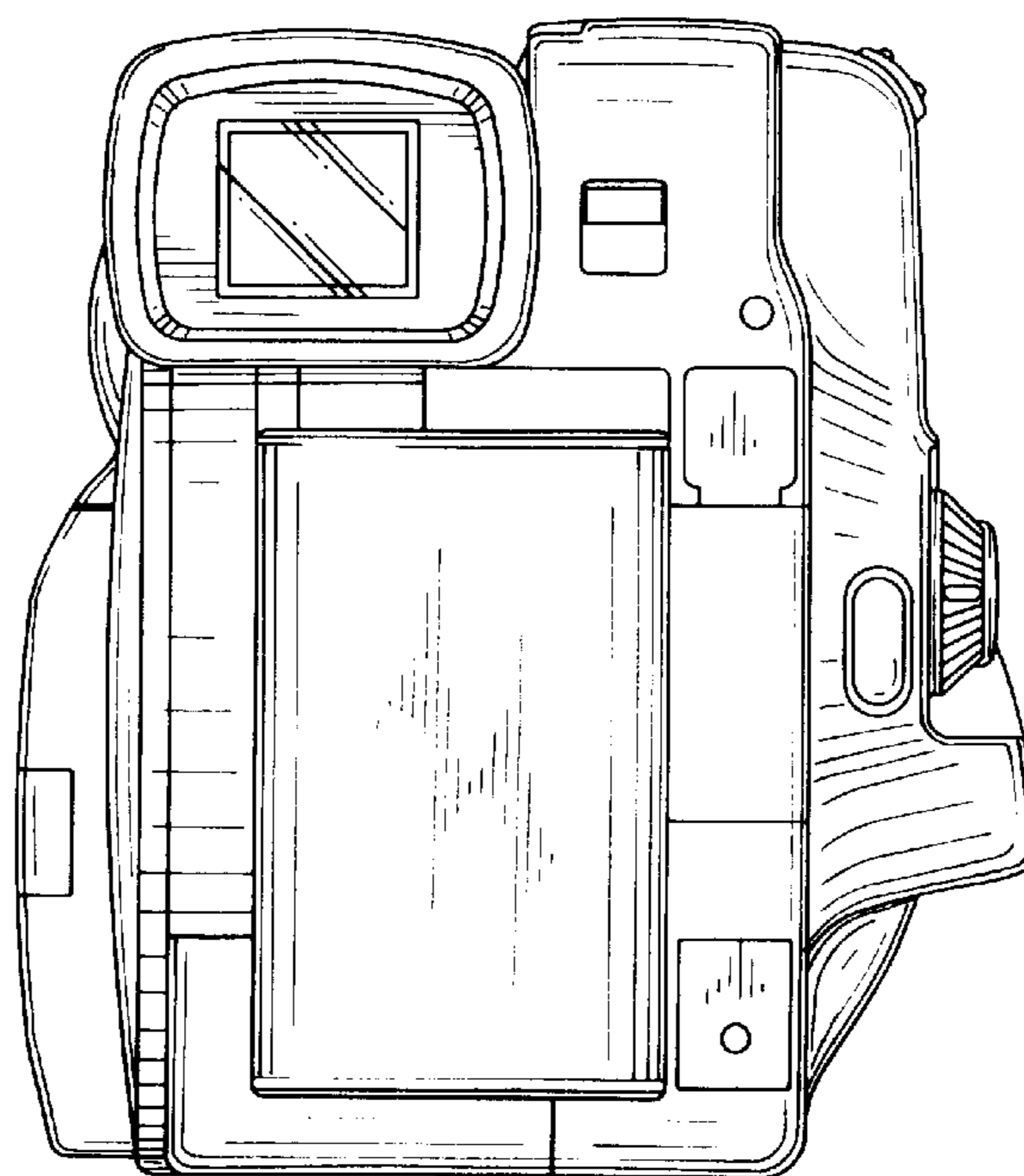




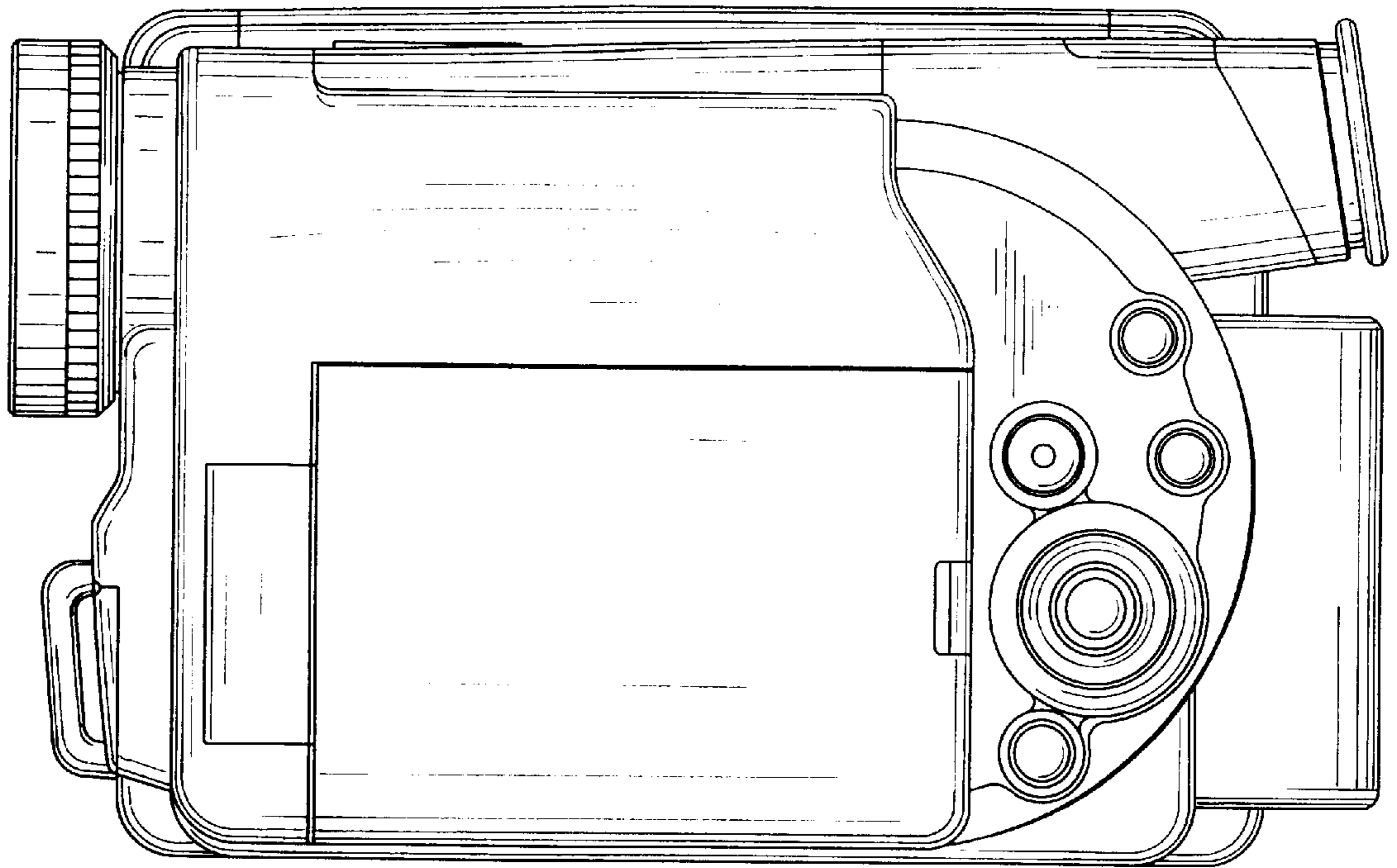
*FIG. 3*



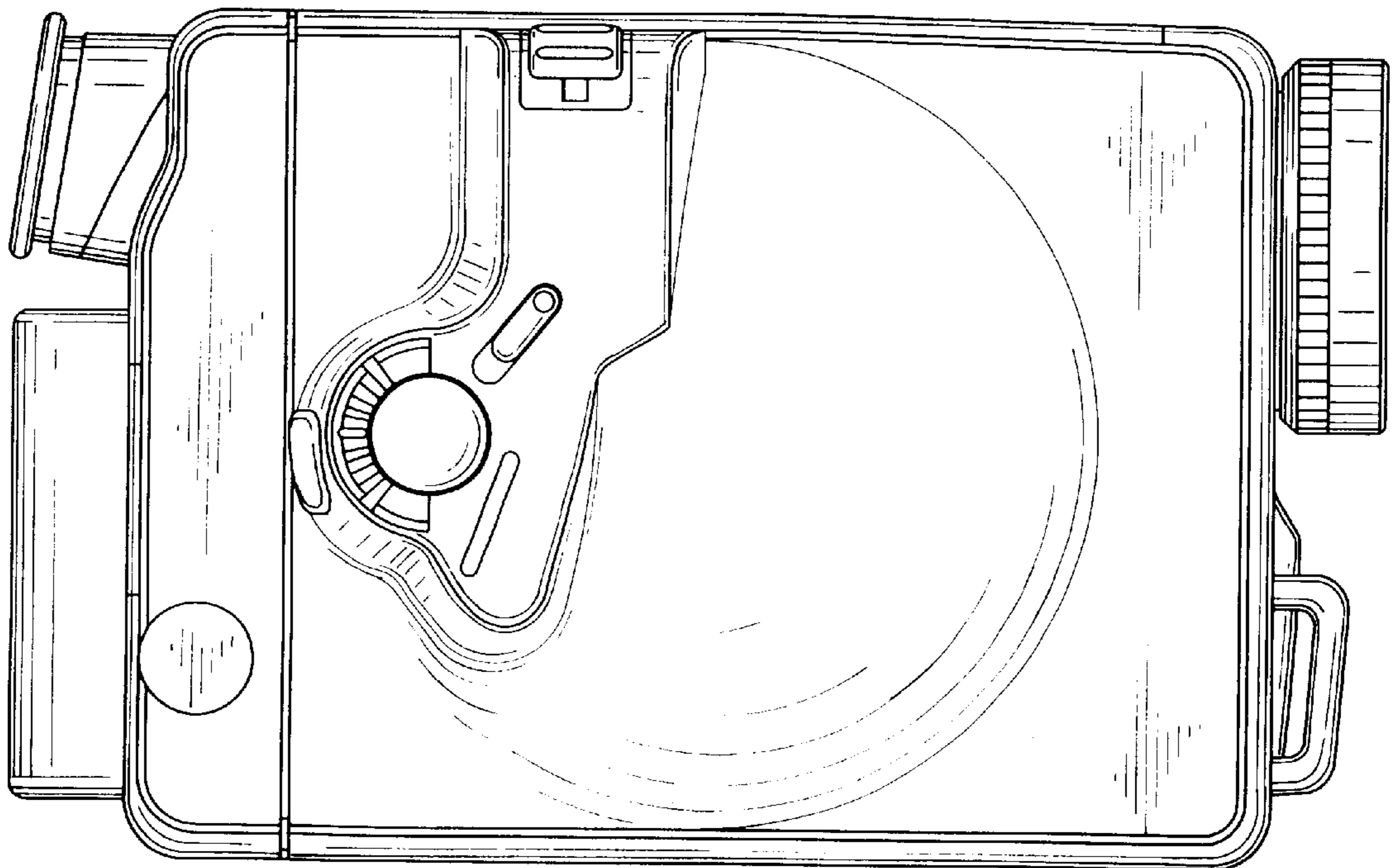
*FIG. 4*



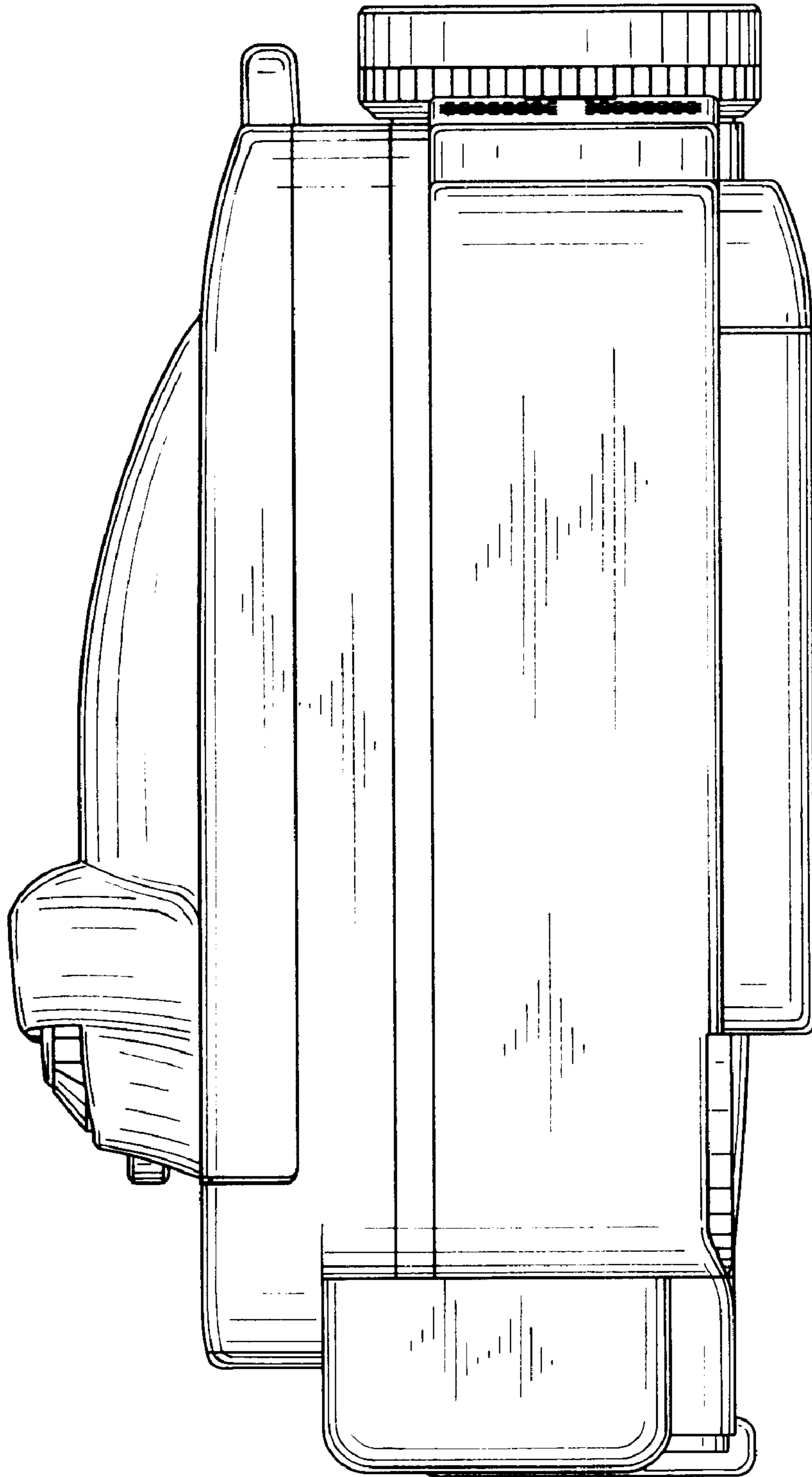
*FIG. 5*



*FIG. 6*



*FIG. 7*



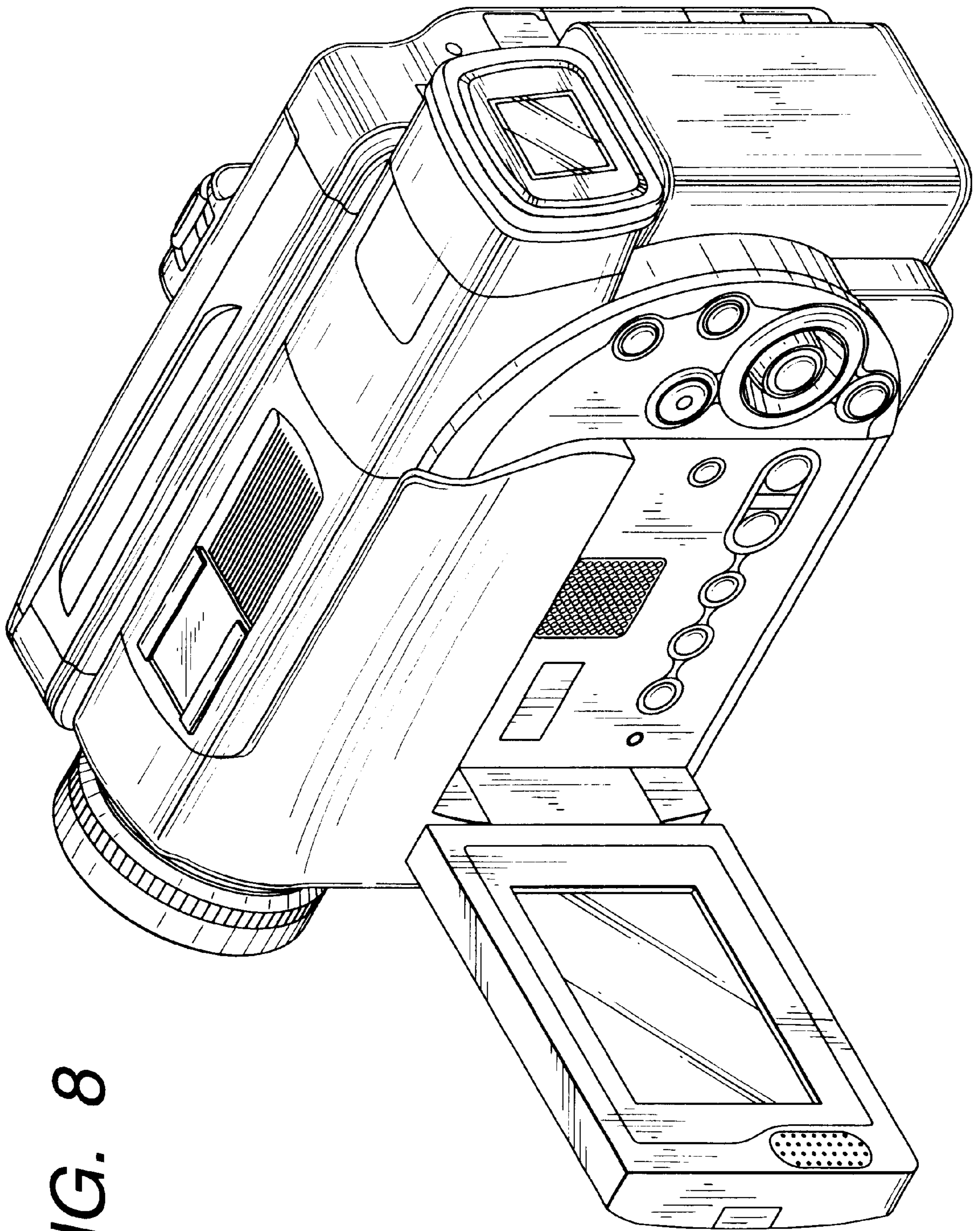


FIG. 8