



US00D467600S

(12) **United States Design Patent**
Reinert

(10) **Patent No.:** **US D467,600 S**

(45) **Date of Patent:** **** Dec. 24, 2002**

(54) **LINKAGE APPARATUS**

(75) **Inventor:** **Michael A. Reinert**, Cincinnati, OH
(US)

(73) **Assignee:** **O.K.L. Can Line Inc.**, Cincinnati, OH
(US)

(**) **Term:** **14 Years**

(21) **Appl. No.:** **29/140,241**

(22) **Filed:** **Apr. 13, 2001**

(51) **LOC (7) Cl.** **15-09**

(52) **U.S. Cl.** **D15/148**

(58) **Field of Search** D15/148; 72/347,
72/349, 351, 365, 431, 456

(56) **References Cited**

U.S. PATENT DOCUMENTS

| | | | | |
|-----------|-----|---------|----------------|--------|
| 3,696,657 | A | 10/1972 | Maytag | |
| 4,934,167 | A | 6/1990 | Grims et al. | |
| 4,976,131 | A | 12/1990 | Grims et al. | |
| 5,335,532 | A * | 8/1994 | Mueller et al. | 72/450 |
| 5,454,253 | A * | 10/1995 | Mueller | 72/349 |
| 5,465,601 | A | 11/1995 | Jowitt et al. | |
| 5,564,300 | A * | 10/1996 | Mueller | 72/349 |
| 5,572,891 | A * | 11/1996 | Klein et al. | 72/360 |

* cited by examiner

Primary Examiner—Antoine Duval Davis

(74) *Attorney, Agent, or Firm*—Dinsmore & Shohl LLP

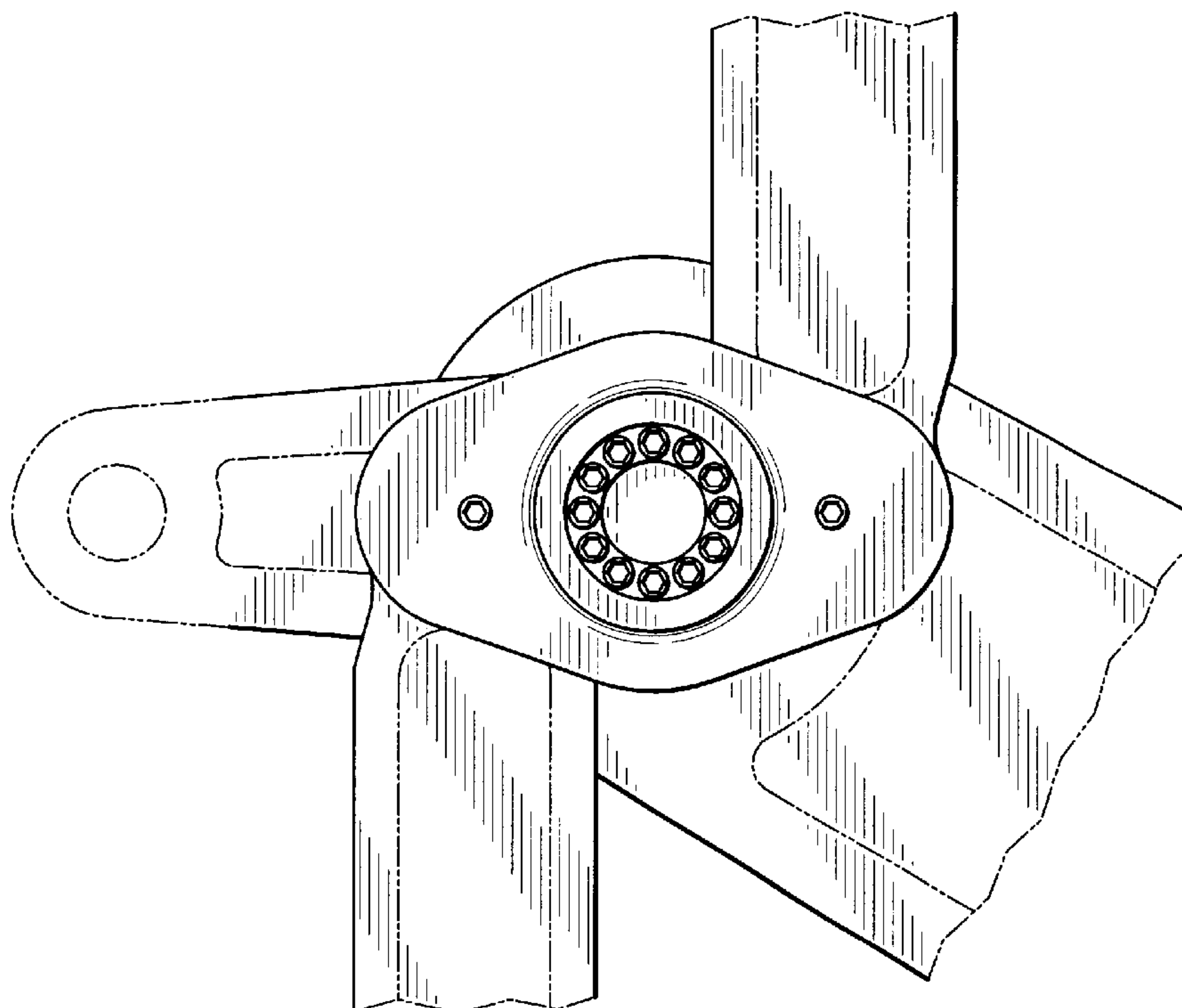
(57) **CLAIM**

The ornamental design for a linkage apparatus, as shown and described.

DESCRIPTION

FIG. 1 is a front view of a linkage apparatus;
 FIG. 2 is a rear view of the linkage apparatus of FIG. 1;
 FIG. 3 is a top view of the linkage apparatus of FIG. 1;
 FIG. 4 is a bottom view of the linkage apparatus of FIG. 1;
 FIG. 5 is a right side view of the linkage apparatus of FIG. 1;
 FIG. 6 is a left side view of the linkage apparatus of FIG. 1;
 FIG. 7 is a perspective view of the linkage apparatus of FIG. 1;
 FIG. 8 is a front view of a linkage apparatus wherein the conformation of the inner and outer journal plates are not being claimed;
 FIG. 9 is a rear view of the linkage apparatus of FIG. 8;
 FIG. 10 is a top view of the linkage apparatus of FIG. 8;
 FIG. 11 is a bottom view of the linkage apparatus of FIG. 8;
 FIG. 12 is a right side view of the linkage apparatus of FIG. 8;
 FIG. 13 is a left side view of the linkage apparatus of FIG. 8; and,
 FIG. 14 is a perspective view of the linkage apparatus of FIG. 8.
 The broken lines shown in FIGS. 2-4, 6-10 and 13-14 are for illustrative purposes only and form no part of the claimed design.

1 Claim, 8 Drawing Sheets



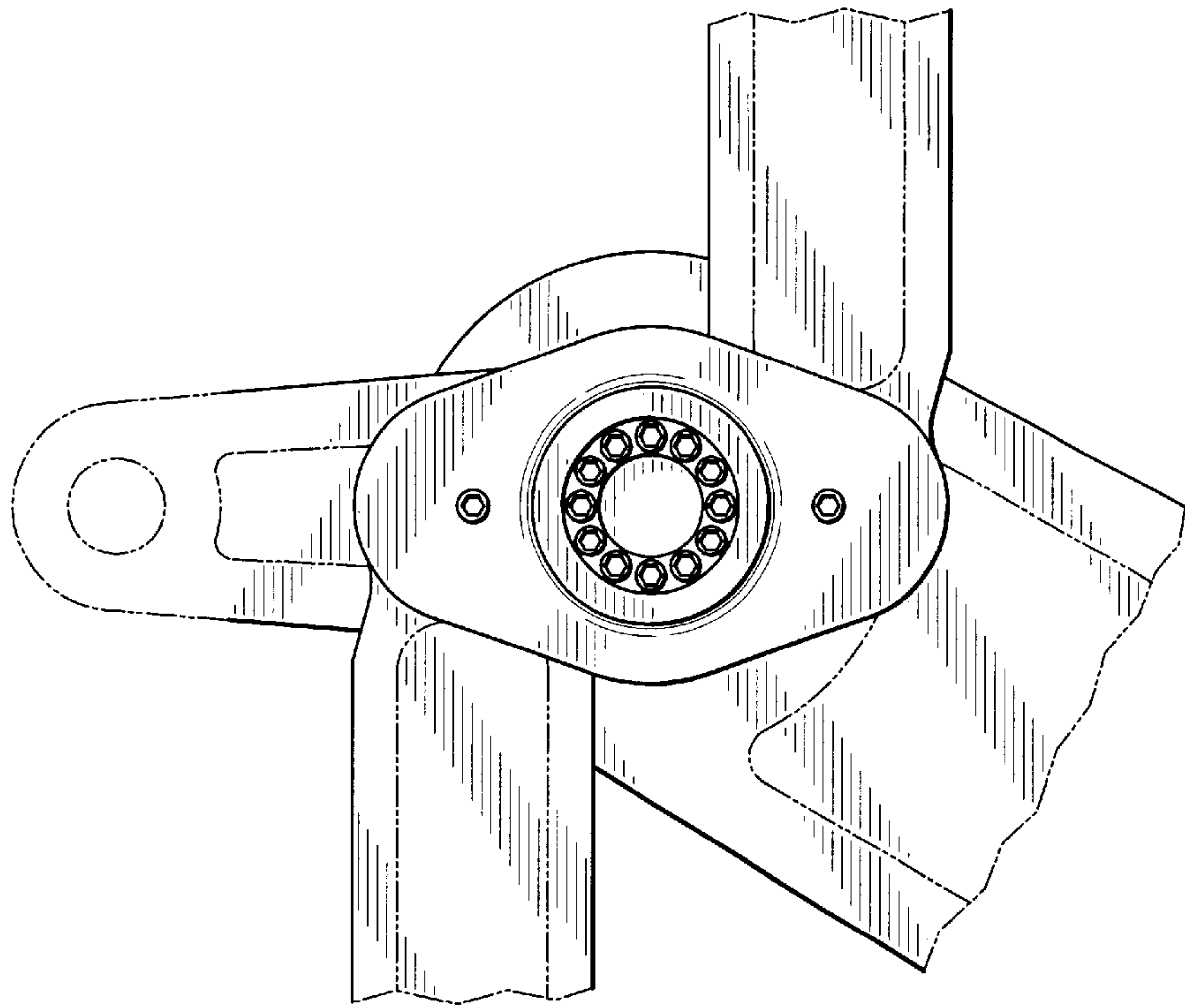


FIG. 1

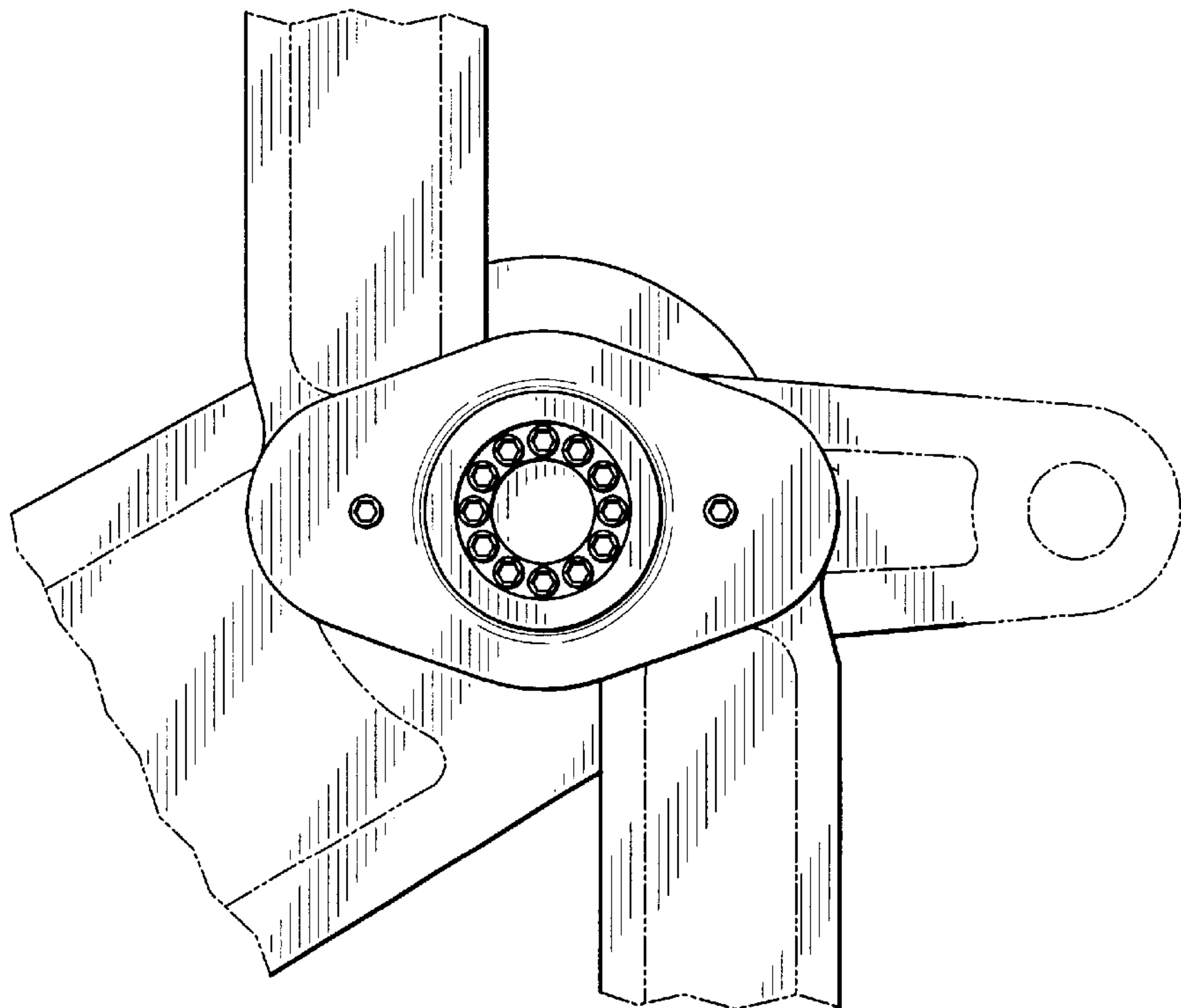


FIG. 2

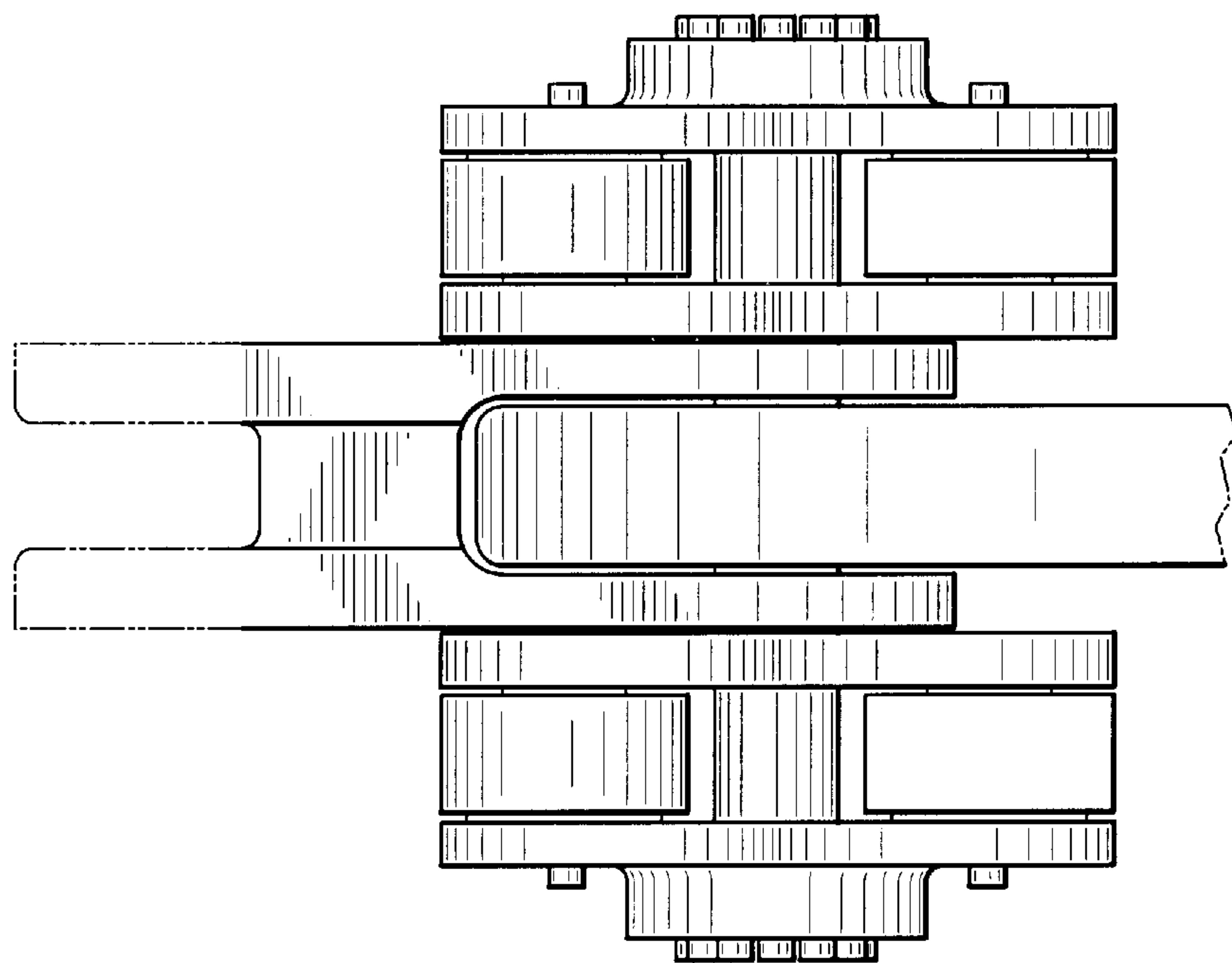


FIG. 3

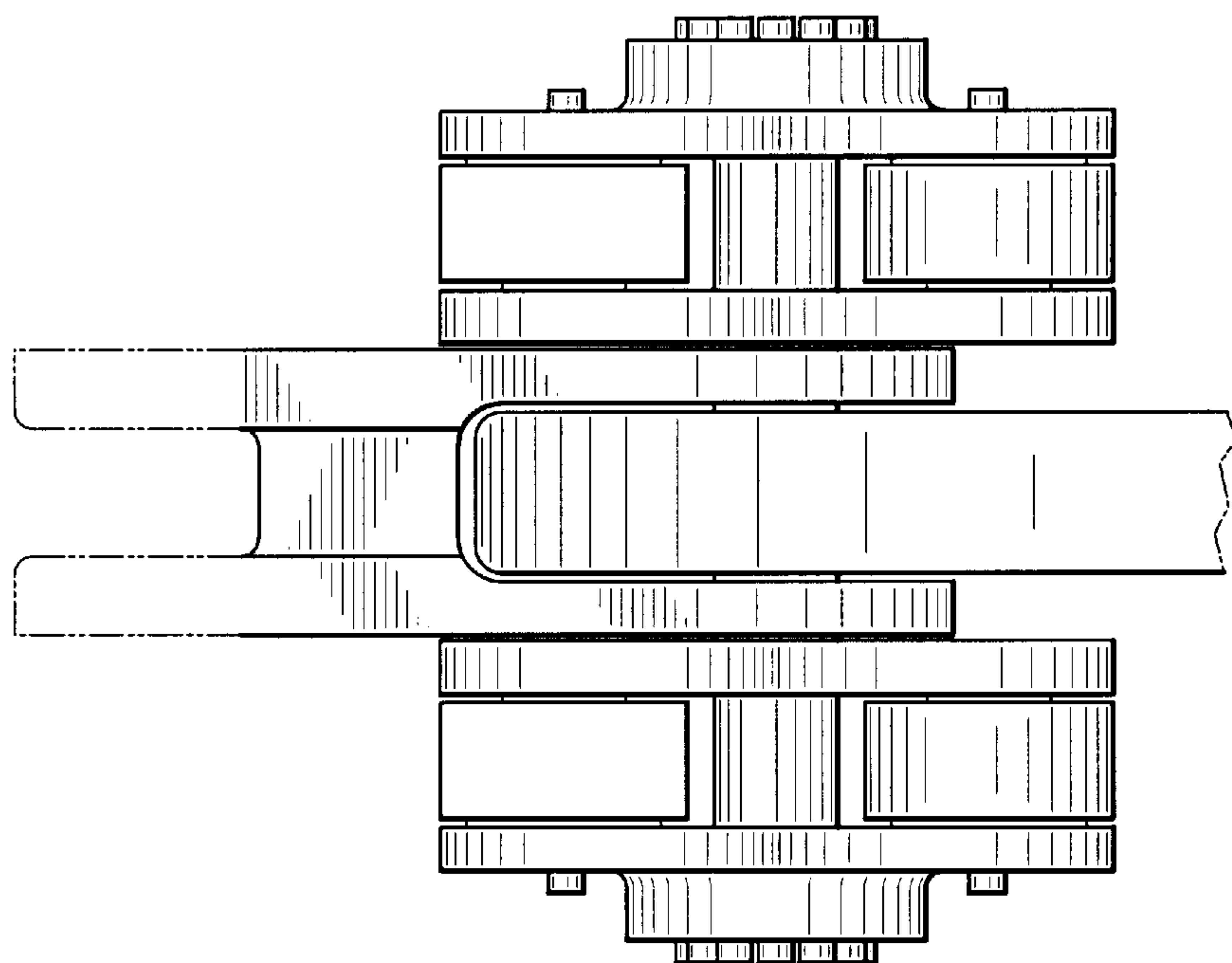


FIG. 4

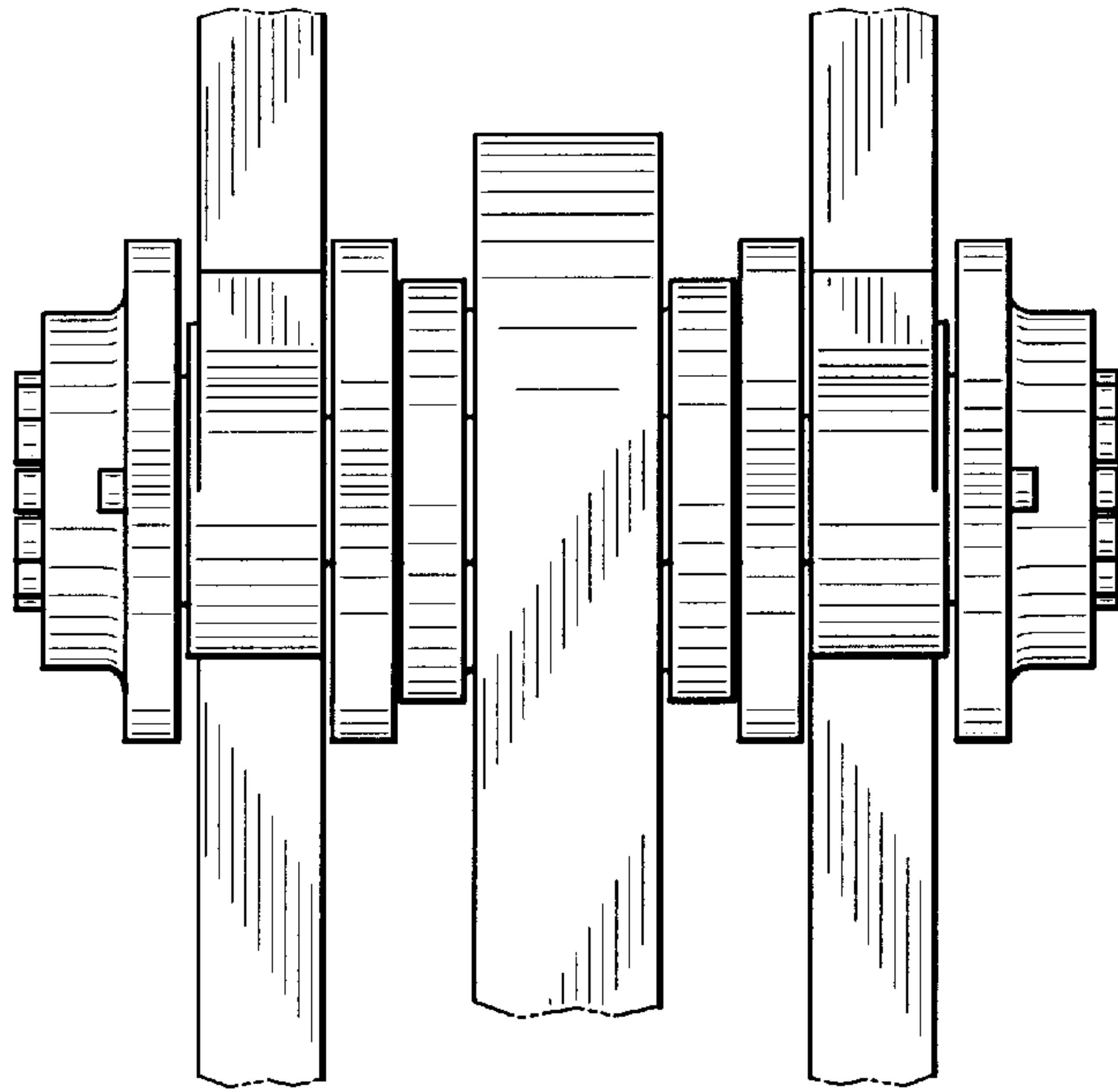


FIG. 5

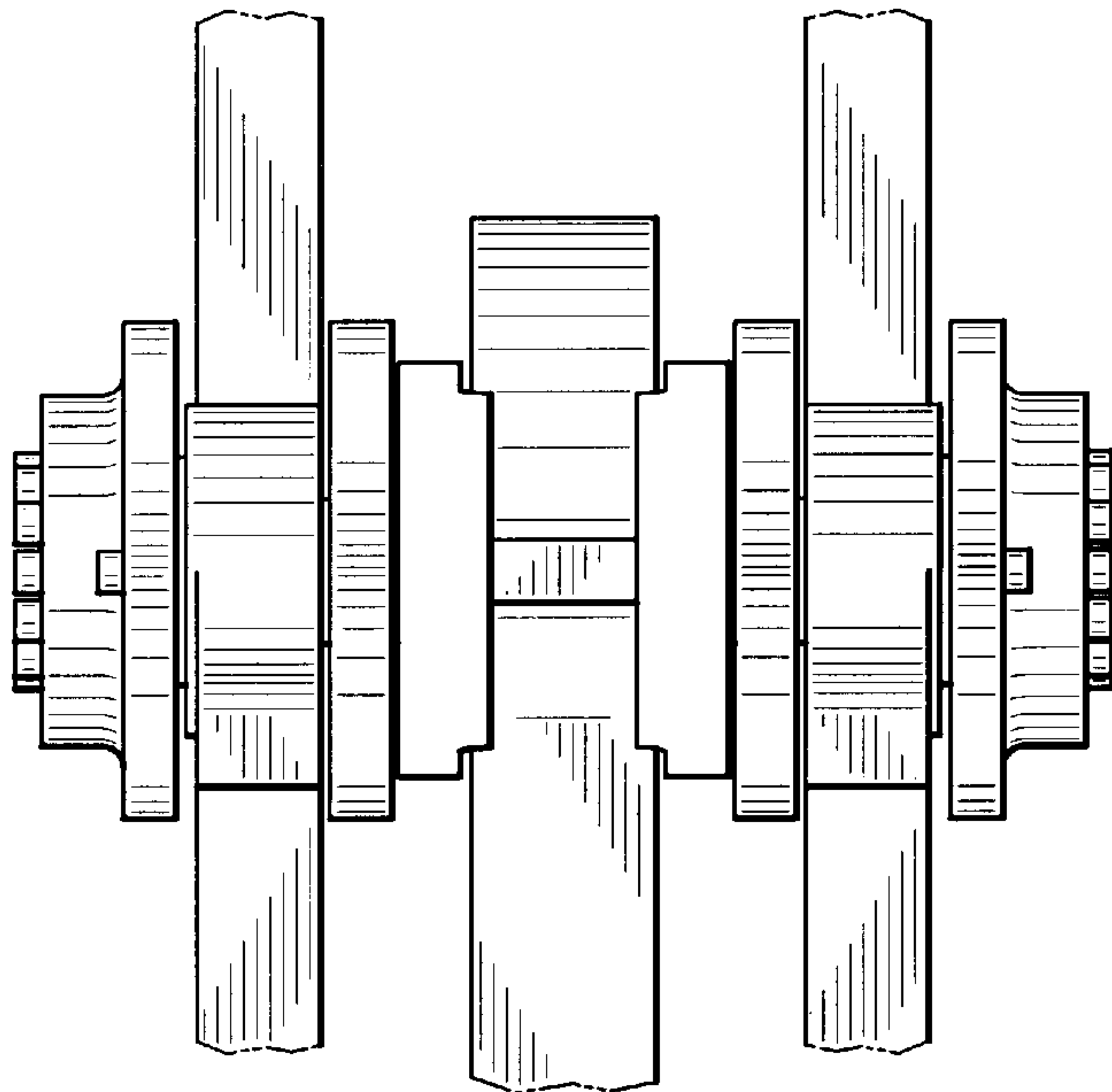


FIG. 6

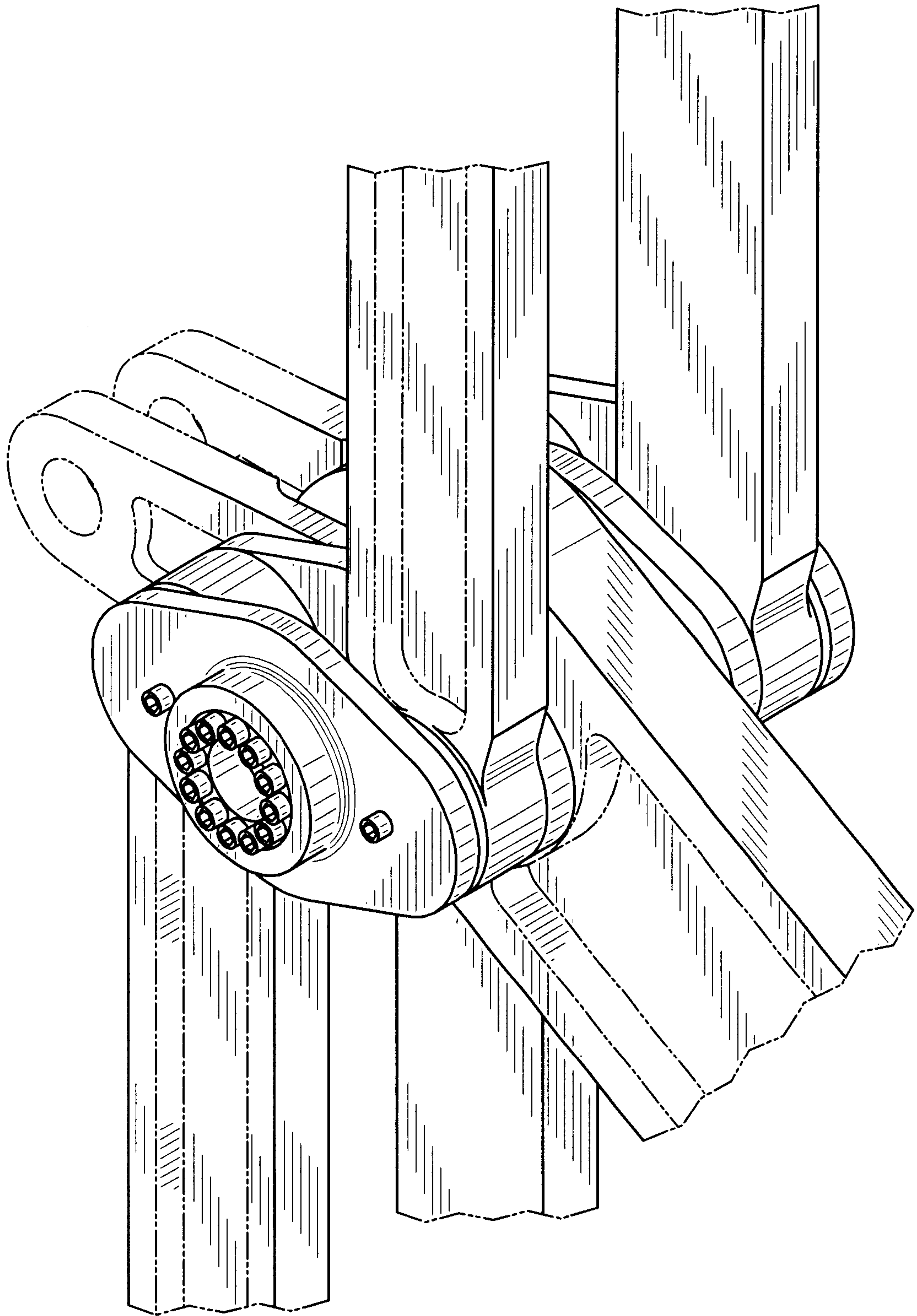


FIG. 7

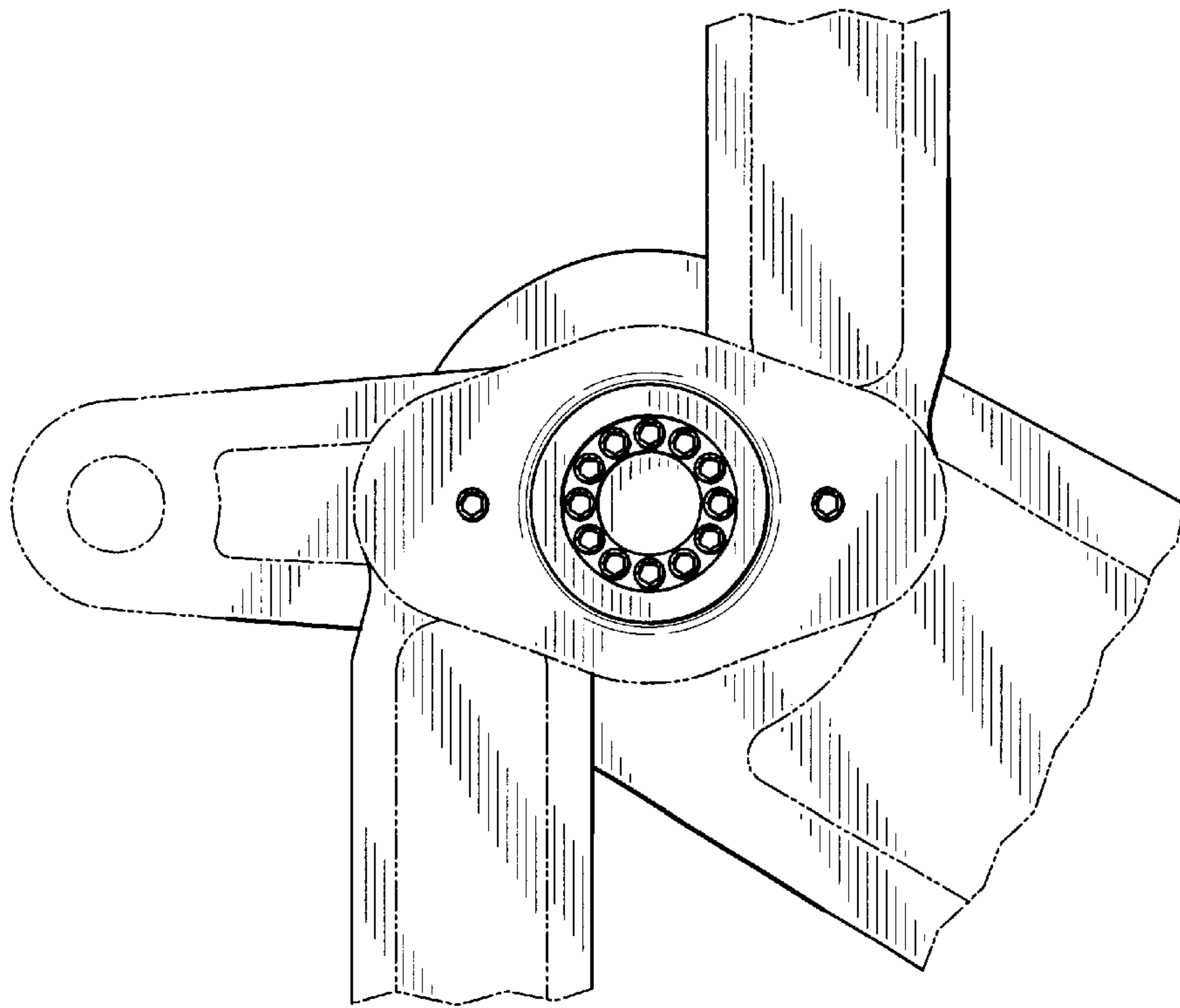


FIG. 8

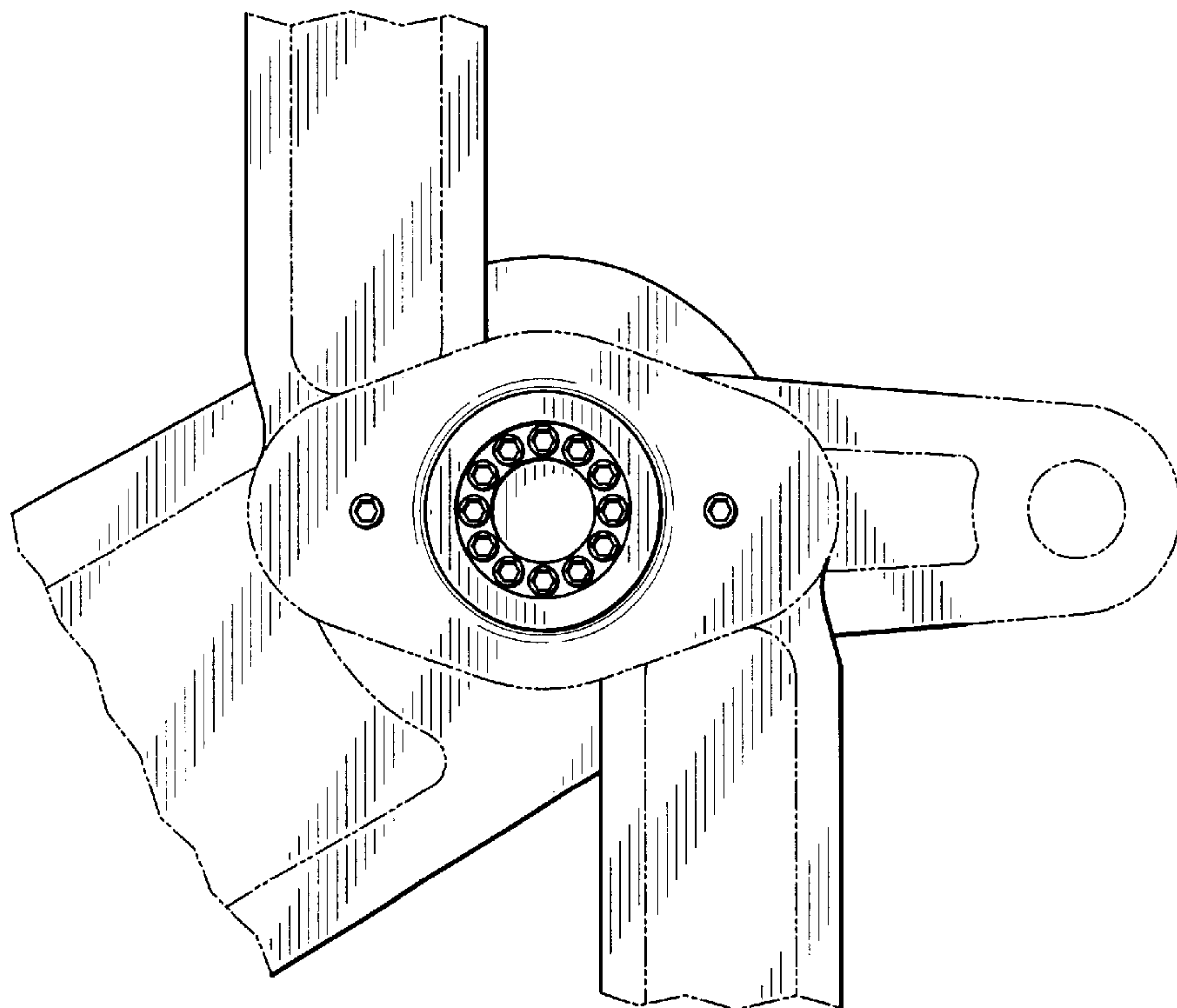


FIG. 9

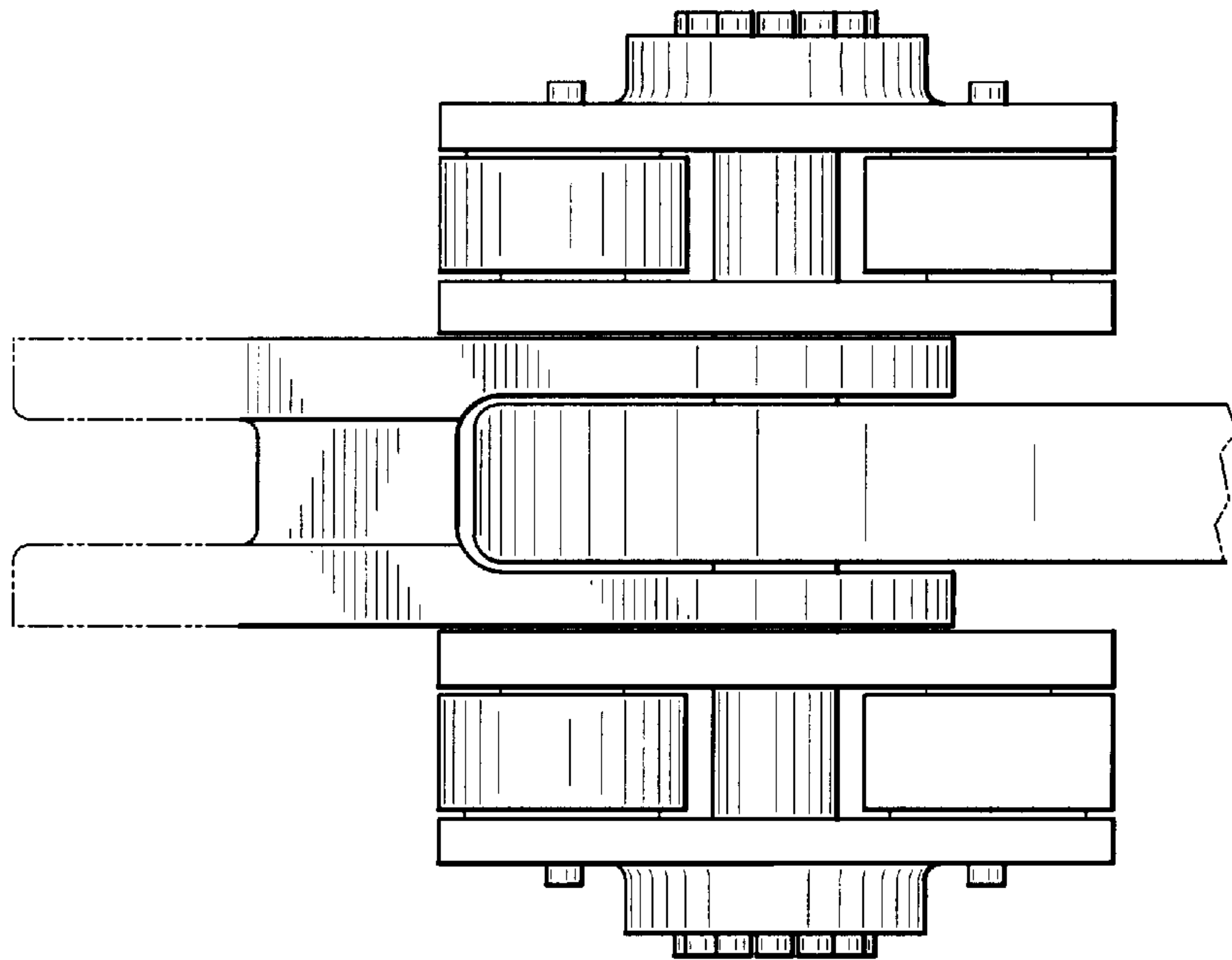


FIG. 10

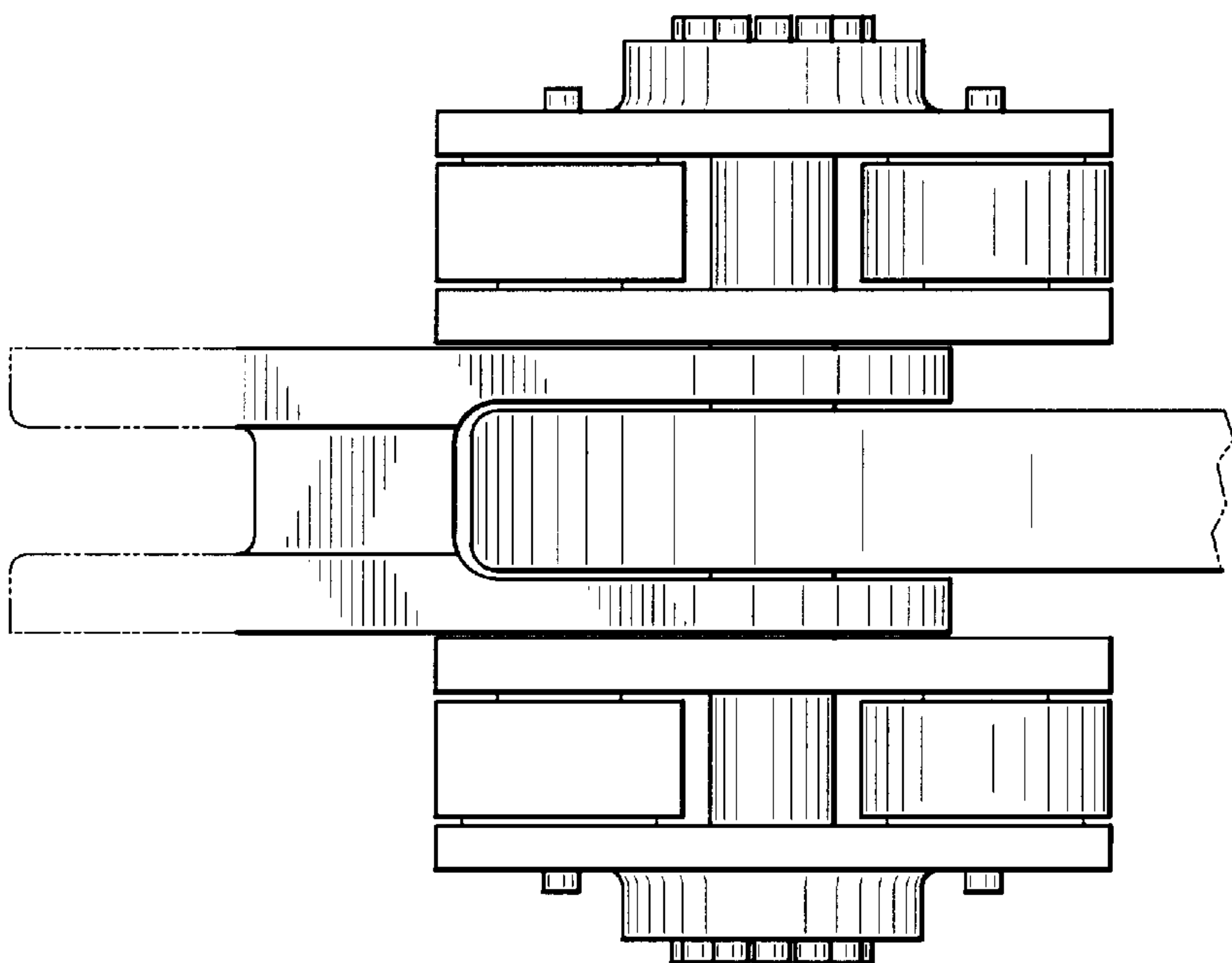


FIG. 11

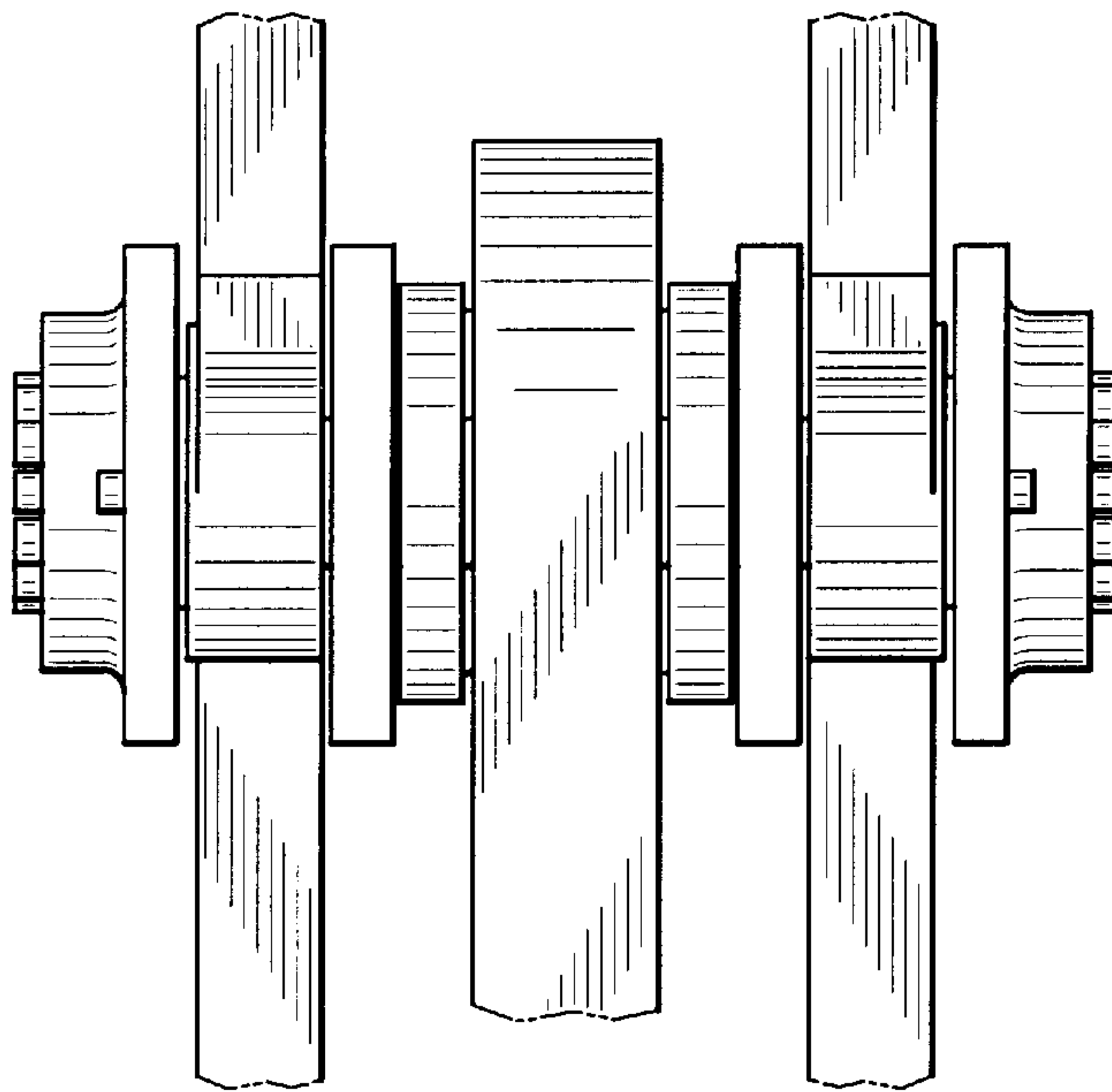


FIG. 12

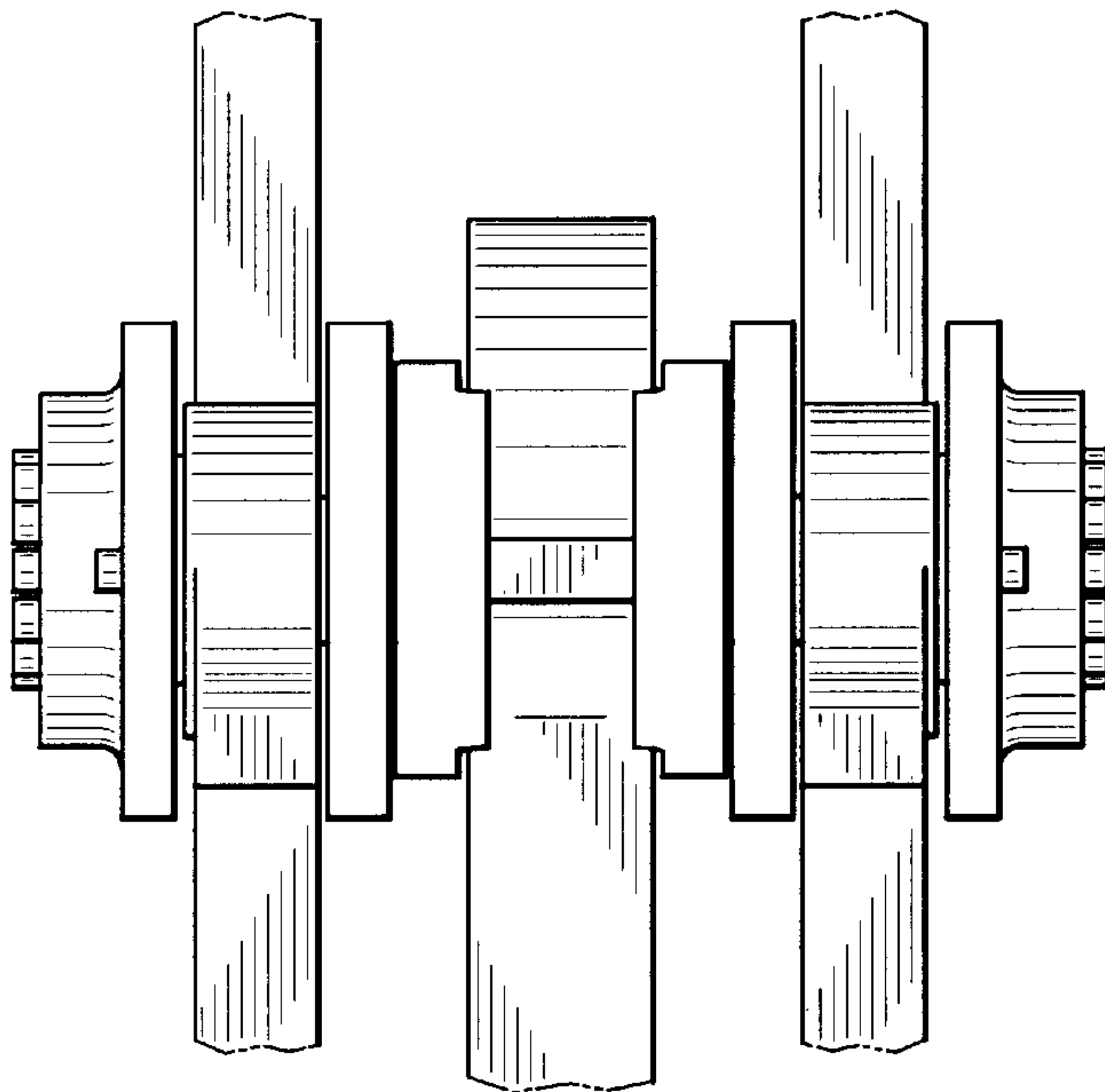


FIG. 13

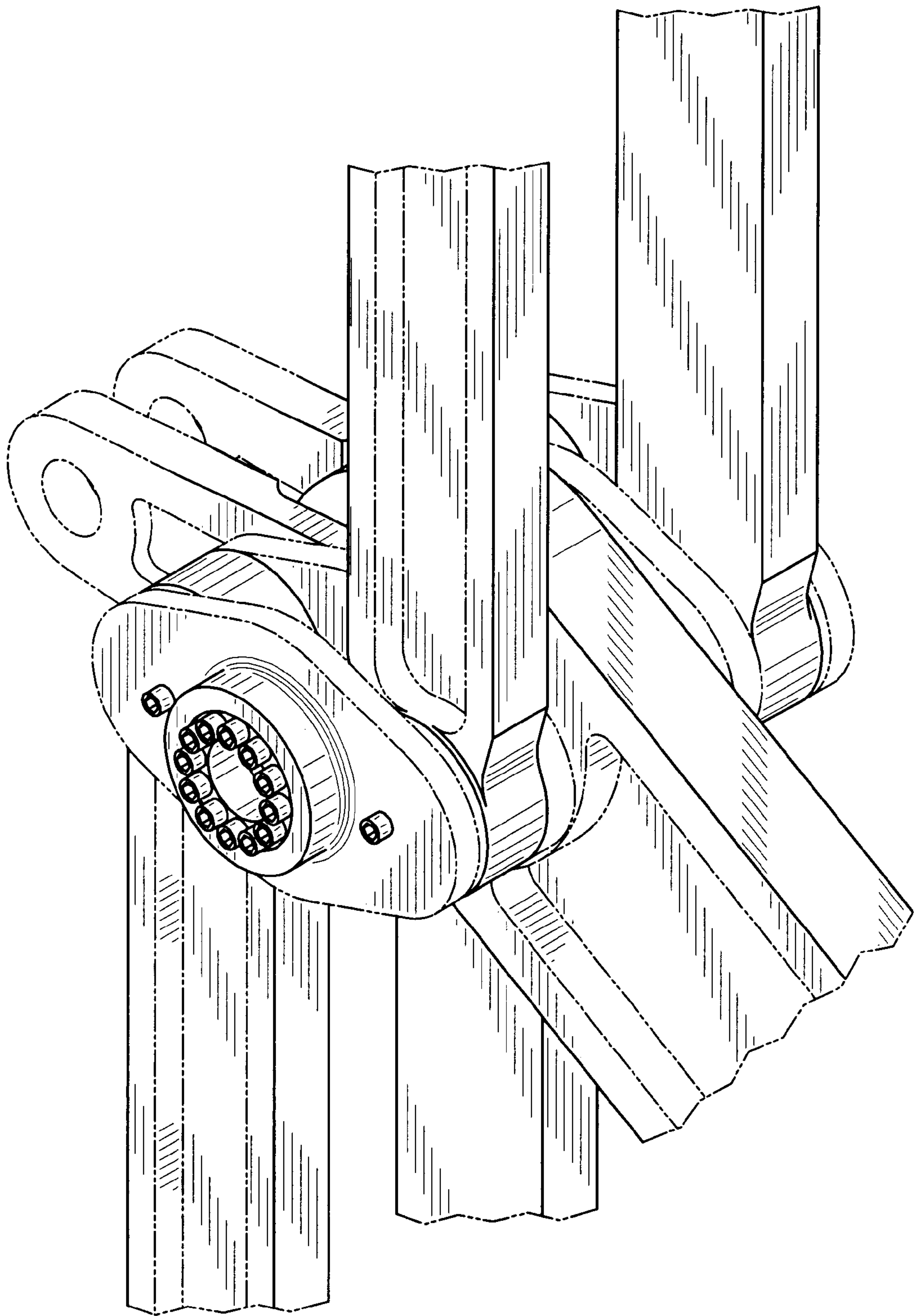


FIG. 14