



US00D467595S

(12) **United States Design Patent**
Shimizu et al.

(10) **Patent No.:** **US D467,595 S**

(45) **Date of Patent:** **** Dec. 24, 2002**

(54) **THREAD CASSETTE FOR AN EMBROIDERY MACHINE**

D384,945 S * 10/1997 Takada et al. D15/66

* cited by examiner

(75) Inventors: **Yasuhiro Shimizu**, Motosu-gun (JP);
Nobuyuki Iwai, Chita-gun (JP);
Toshiyuki Mamiya, Kasugai (JP);
Akira Terao, Nagoya (JP)

Primary Examiner—Mitchell Siegel
(74) *Attorney, Agent, or Firm*—Oliff & Berridge, PLC

(73) Assignee: **Brother Industries, Ltd.**, Nagoya (JP)

(57) **CLAIM**

(**) Term: **14 Years**

The ornamental design for a thread cassette for an embroidery machine, as shown and described.

(21) Appl. No.: **29/151,302**

DESCRIPTION

(22) Filed: **Dec. 7, 2001**

FIG. 1 is a front view of a thread cassette for an embroidery machine;

(30) **Foreign Application Priority Data**

Jun. 13, 2001 (JP) 2001-017202

FIG. 2 is a rear view thereof;

(51) **LOC (7) Cl.** **15-06**

FIG. 3 is a left view thereof;

(52) **U.S. Cl.** **D15/72**

FIG. 4 is a right view thereof;

(58) **Field of Search** D15/66-72; D14/420;
112/445-448, 236, 121.11, 121.12, 217.1,
258-262.1

FIG. 5 is a top view thereof;

FIG. 6 is a bottom view thereof; and,

FIG. 7 is a perspective view thereof.

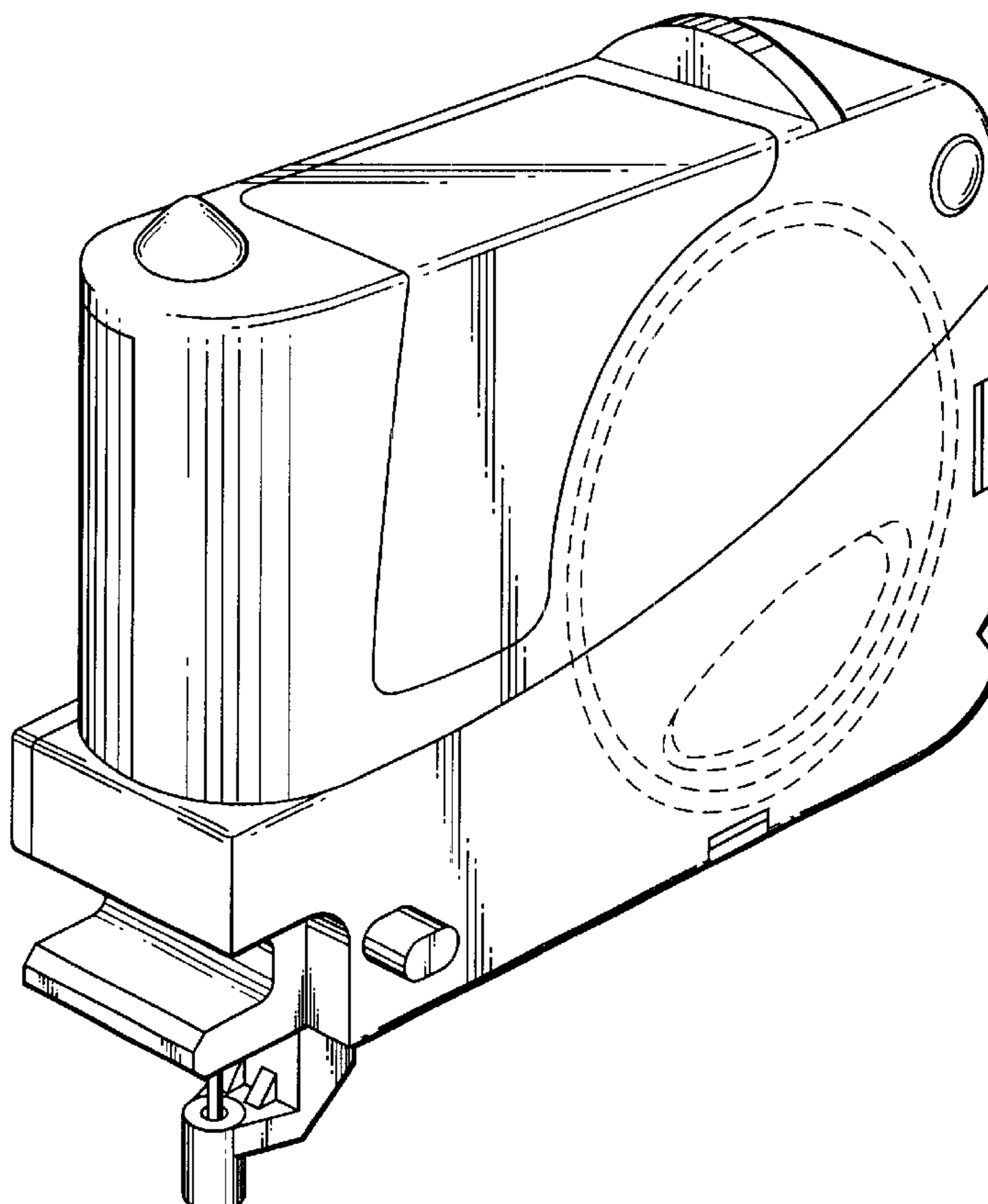
The broken lines define the bounds of the claimed design, but do not form part of the claim design.

(56) **References Cited**

U.S. PATENT DOCUMENTS

D369,171 S * 4/1996 Honson D15/72

1 Claim, 4 Drawing Sheets



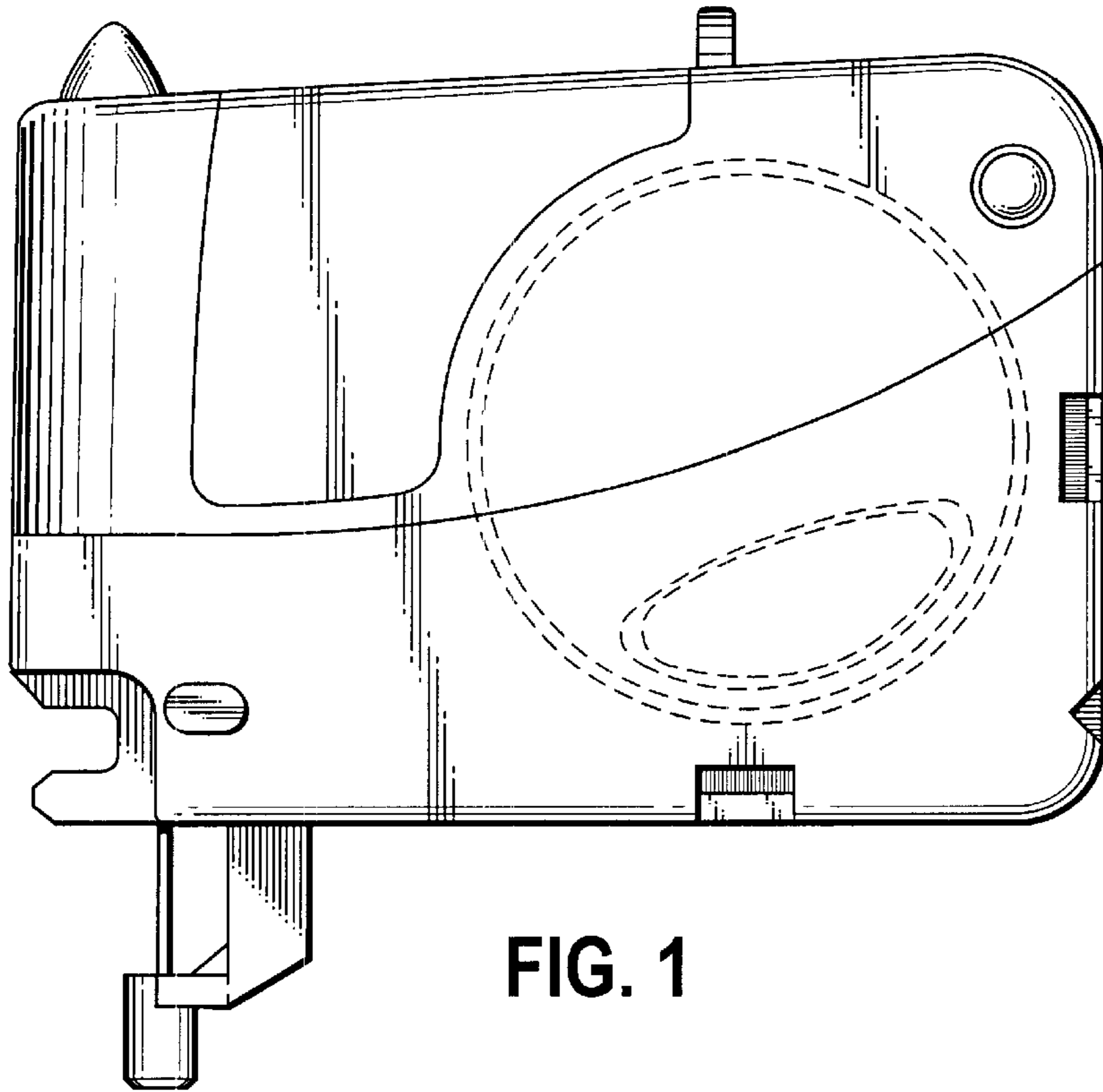


FIG. 1

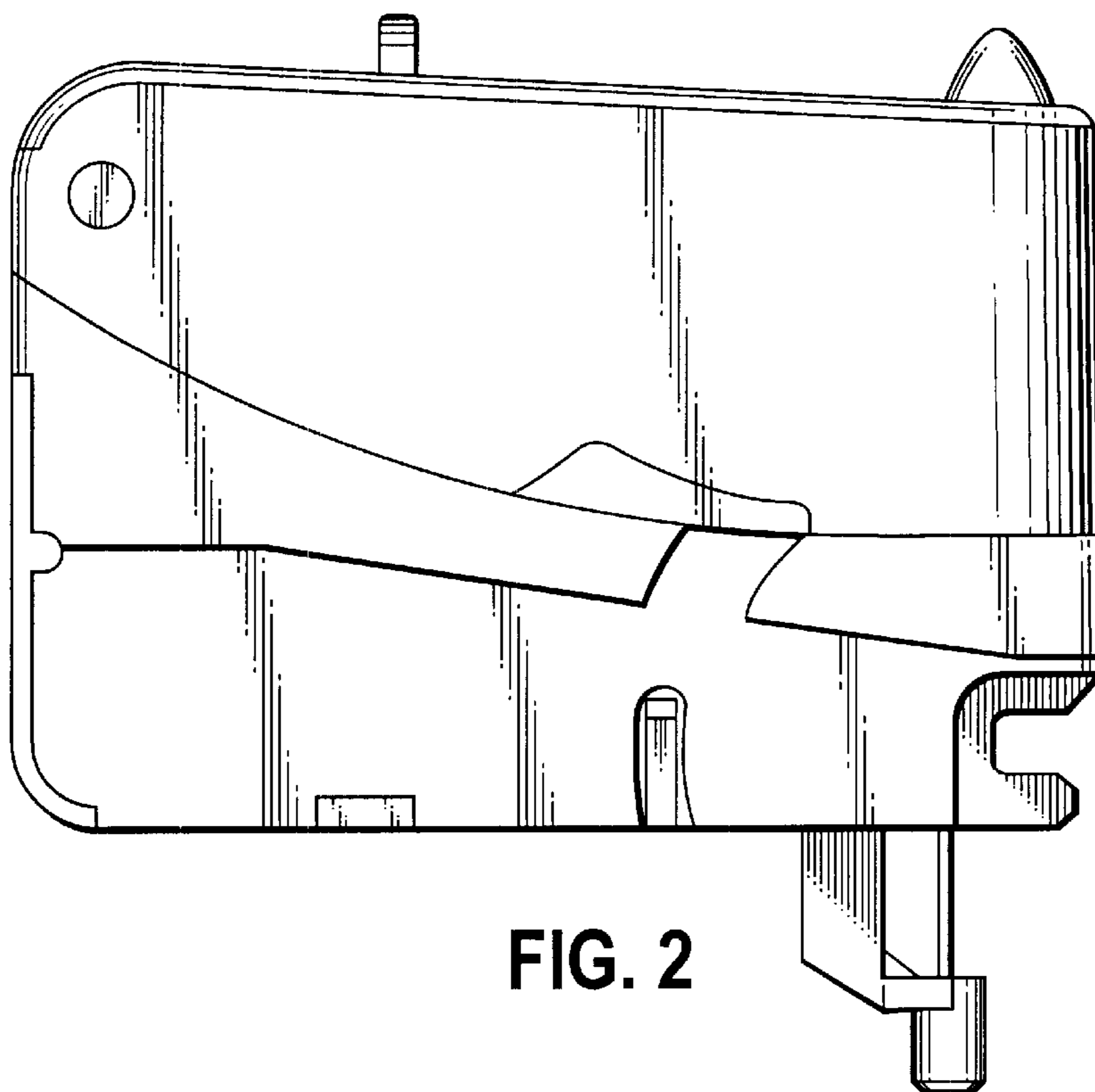


FIG. 2

FIG. 3

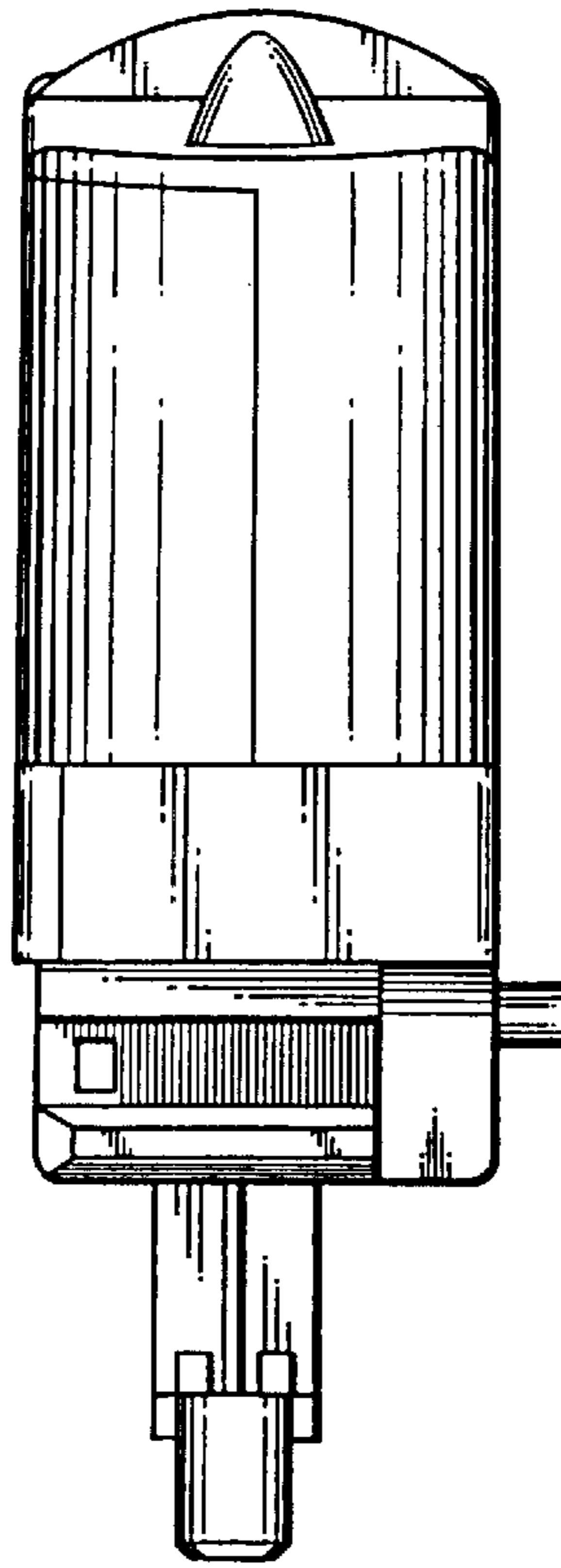
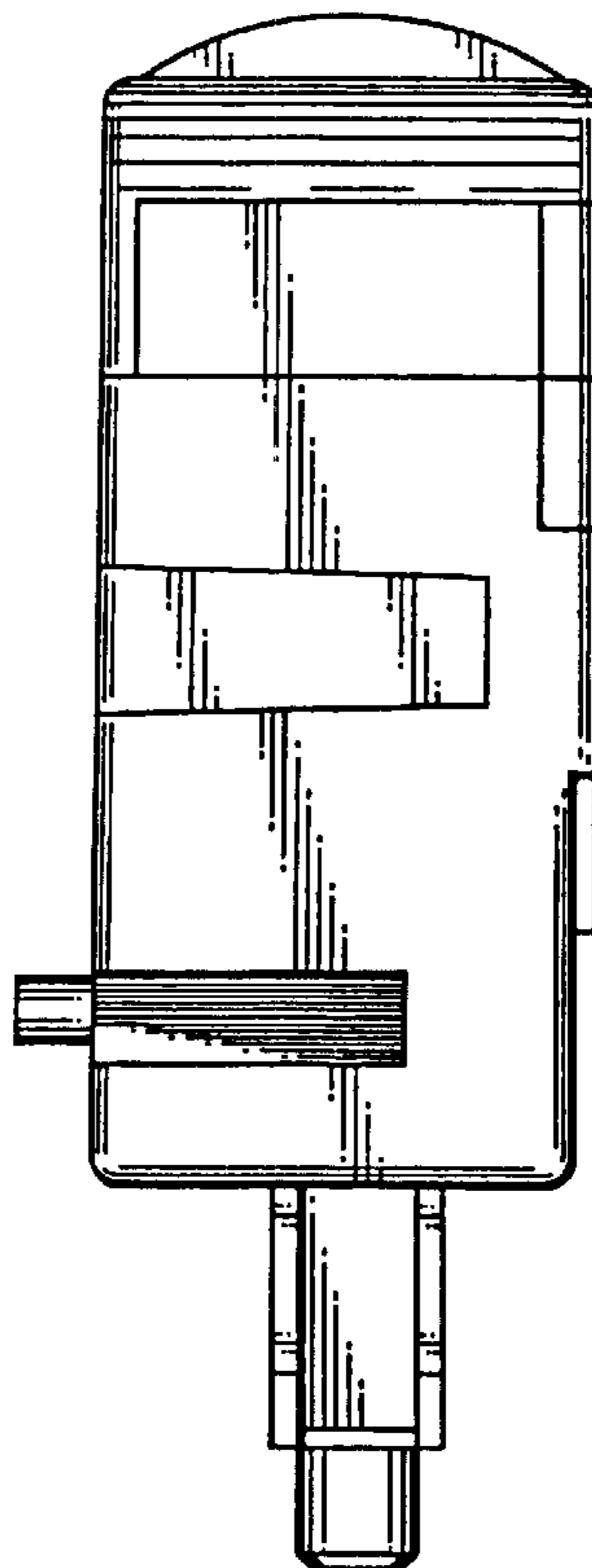


FIG. 4



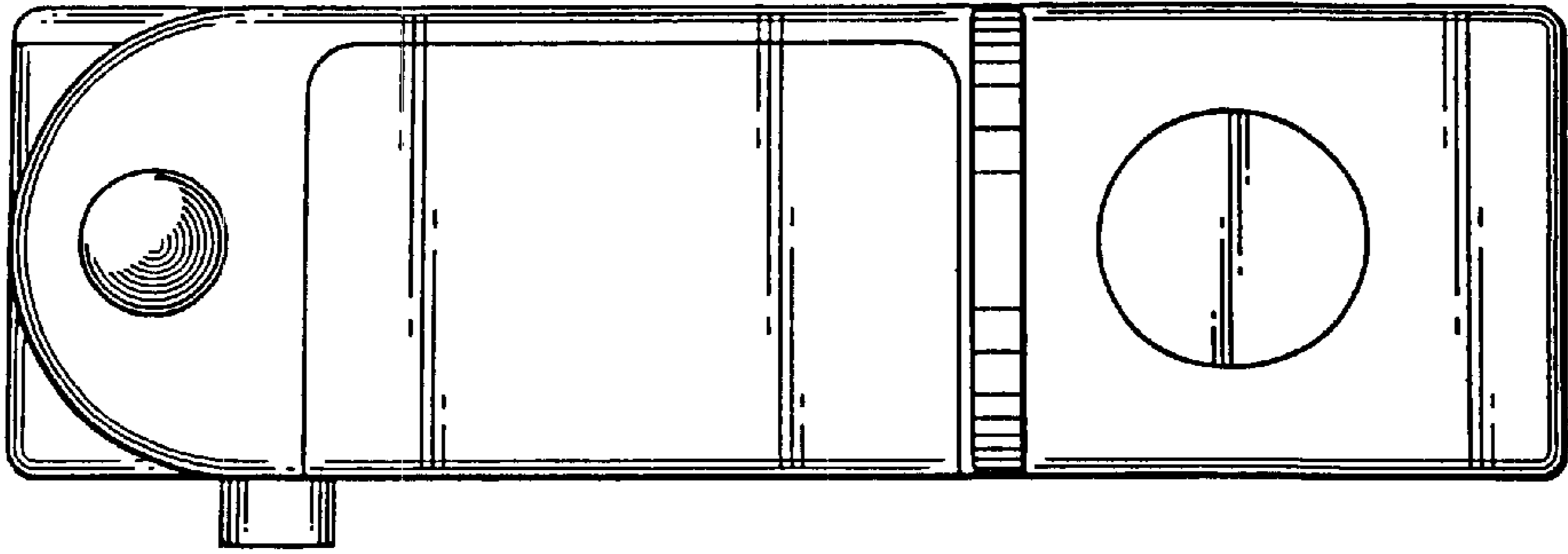


FIG. 5

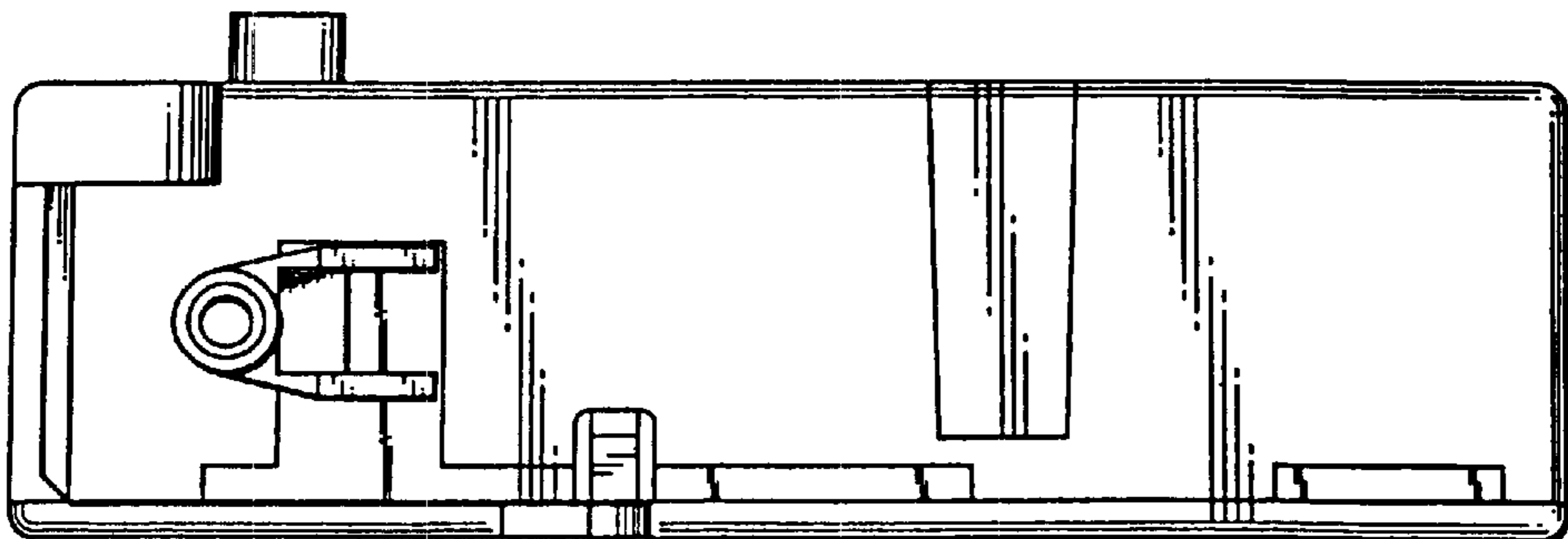


FIG. 6

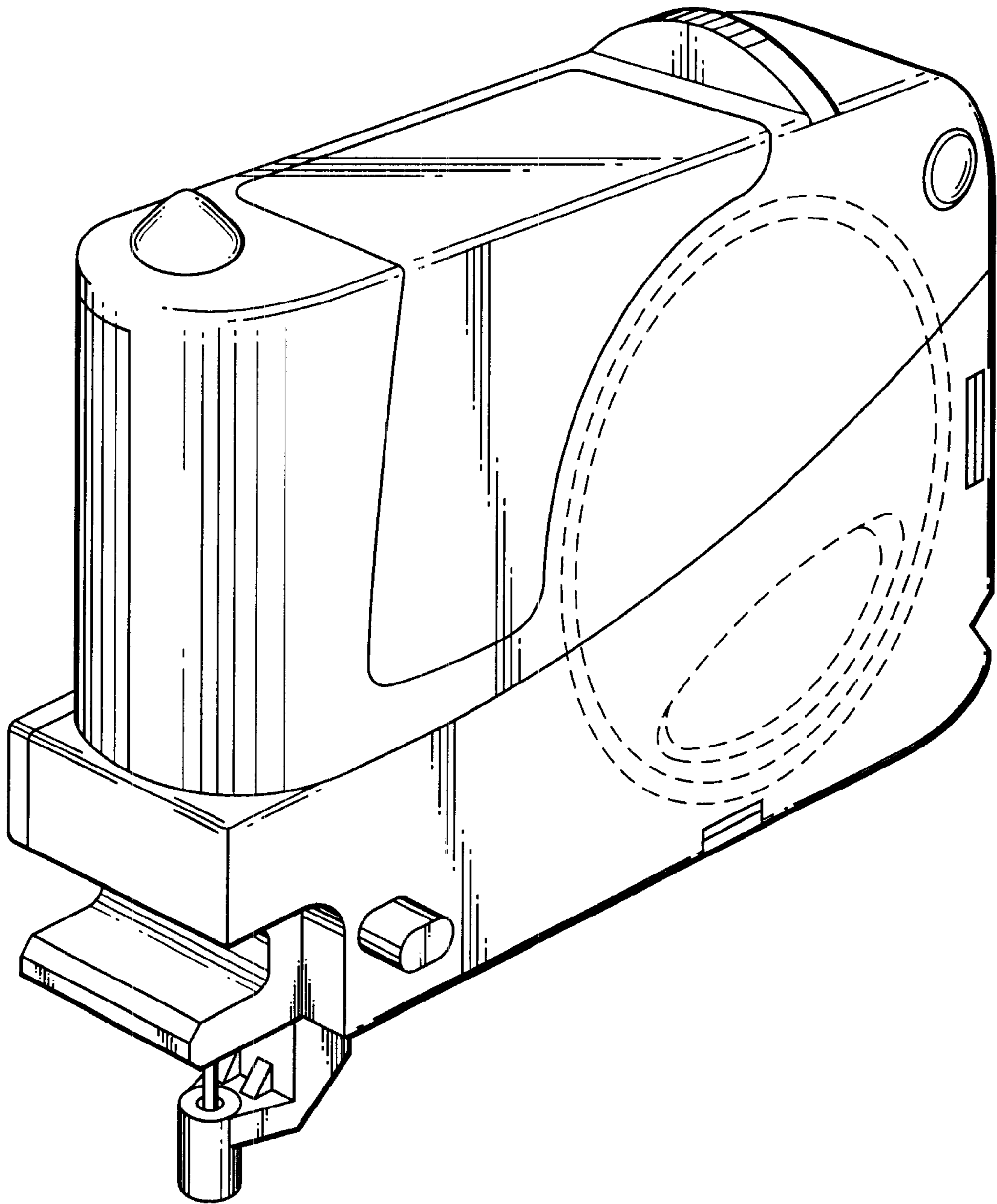


FIG. 7