



US00D467584S

(12) **United States Design Patent**
Sabella et al.

(10) **Patent No.:** **US D467,584 S**

(45) **Date of Patent:** **** Dec. 24, 2002**

(54) **MAGNETIC CARD READER CADDY**

(75) Inventors: **Paul Sabella**, 6452 River Run,
Columbia, MD (US) 21044; **Charles F. Finch**, East Quogue, NY (US); **Carl J. Rinne, Jr.**, Nanuet, NY (US); **Kurt R. Heino**, Mustle Beach, NY (US)

(73) Assignees: **Comstar Interactive Corp.**, New York, NY (US); **Paul Sabella**, Columbia, MD (US)

(**) Term: **14 Years**

(21) Appl. No.: **29/141,380**

(22) Filed: **May 7, 2001**

(51) **LOC (7) Cl.** **14-02**

(52) **U.S. Cl.** **D14/385**

(58) **Field of Search** D14/341, 344,
D14/346, 347, 383-387, 432, 433, 434,
235/462.01, 454, 380, 382, 382.5, 472.01,
476, 482, 483; 439/95, 248; 250/566; 385/88

(56) **References Cited**

U.S. PATENT DOCUMENTS

3,947,666 A * 3/1976 Carlson 235/454

D287,593 S * 1/1987 Perissinotto D14/387
D305,882 S * 2/1990 Kato et al. D14/385
5,345,090 A * 9/1994 Hludzinski 250/566
6,065,880 A * 5/2000 Thompson 385/88

* cited by examiner

Primary Examiner—Freda Nunn

(74) *Attorney, Agent, or Firm*—Hoffman, Wasson & Gitler

(57) **CLAIM**

The ornamental design for a magnetic card reader caddy, as shown and described.

DESCRIPTION

FIG. 1 is a front perspective view of the magnetic card reader caddy in accordance with the invention, with a pager shown in phantom;

FIG. 2 is a rear perspective view of the magnetic card reader caddy;

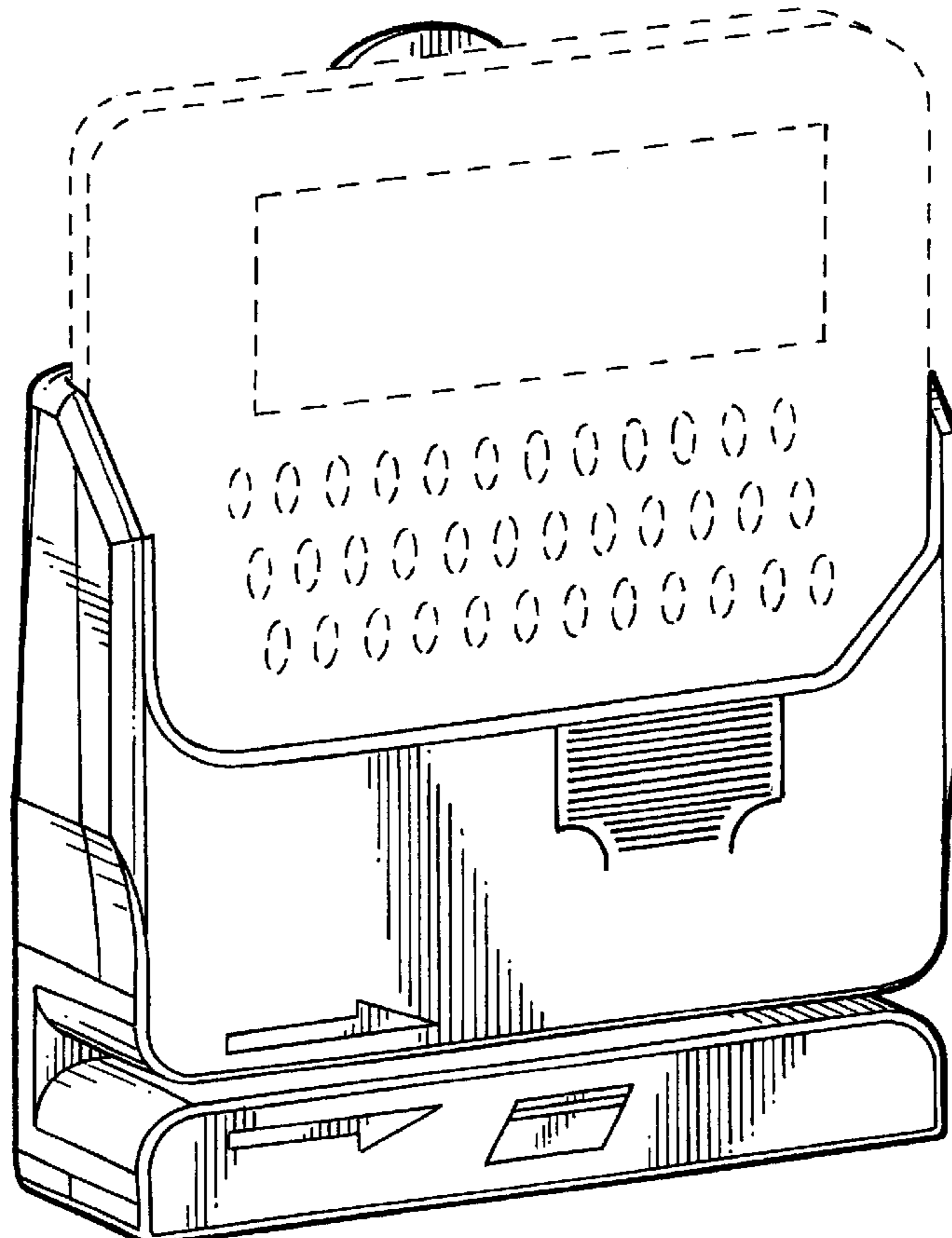
FIG. 3 is a front elevation view thereof;

FIG. 4 is a right side elevation view thereof, the left elevation is the same; and,

FIG. 5 is a top view of the magnetic card reader caddy.

The phantom lines are shown in the figures for illustrative purposes only and form no part of the claimed design.

1 Claim, 5 Drawing Sheets



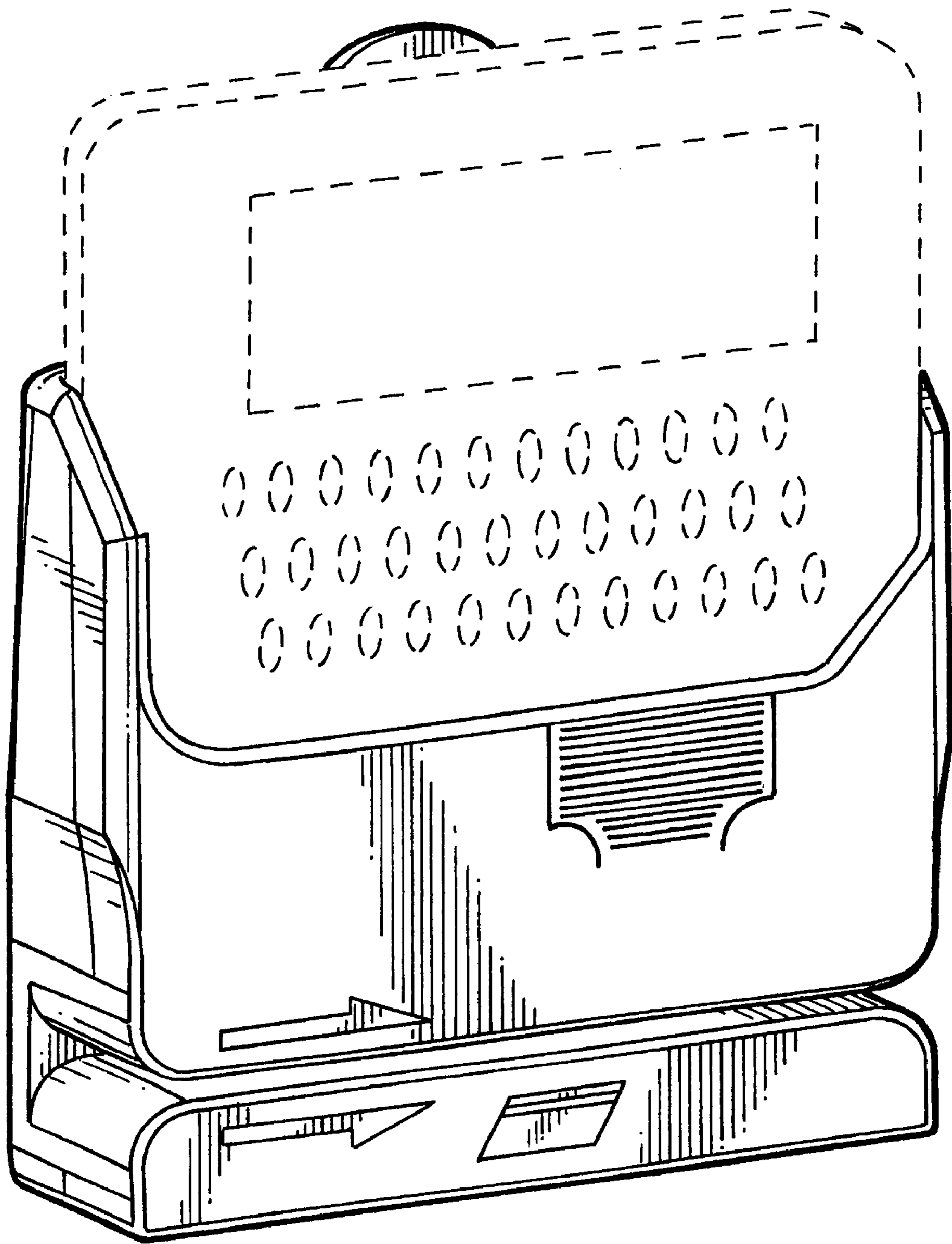


FIG. 1

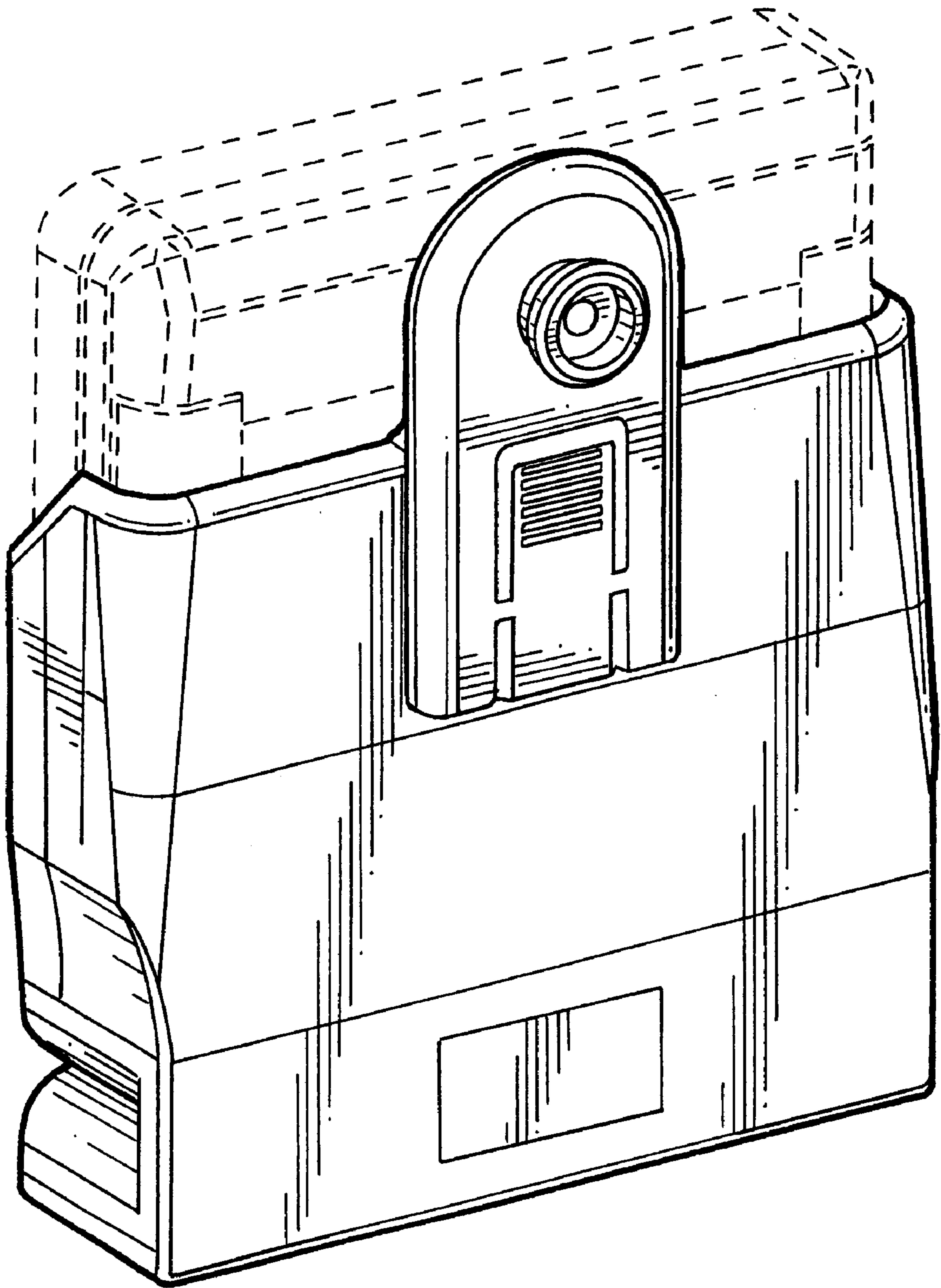


FIG. 2

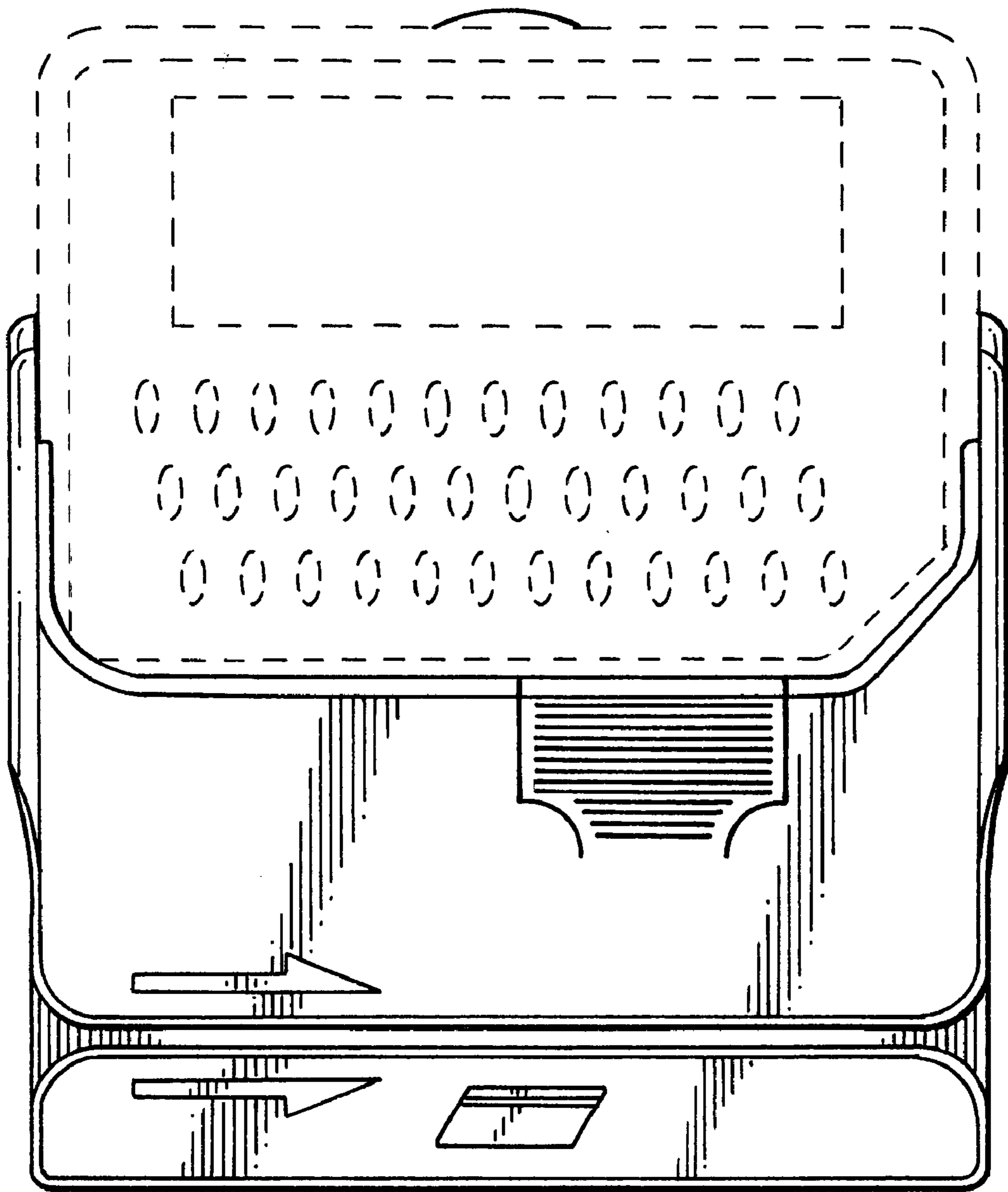


FIG. 3

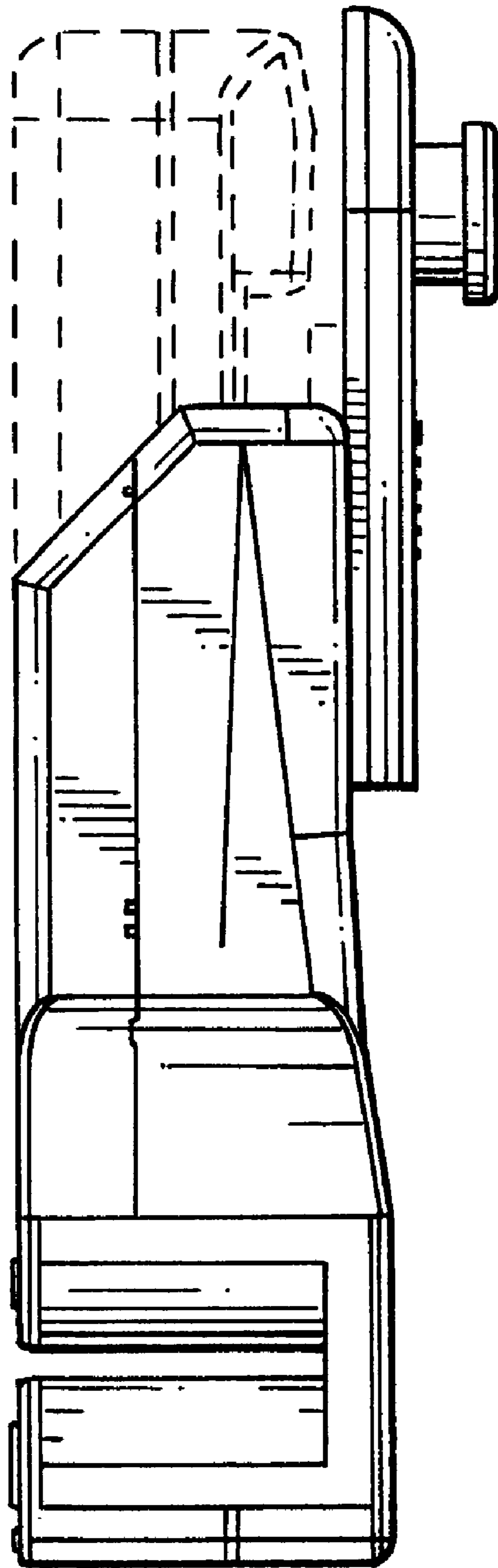


FIG. 4

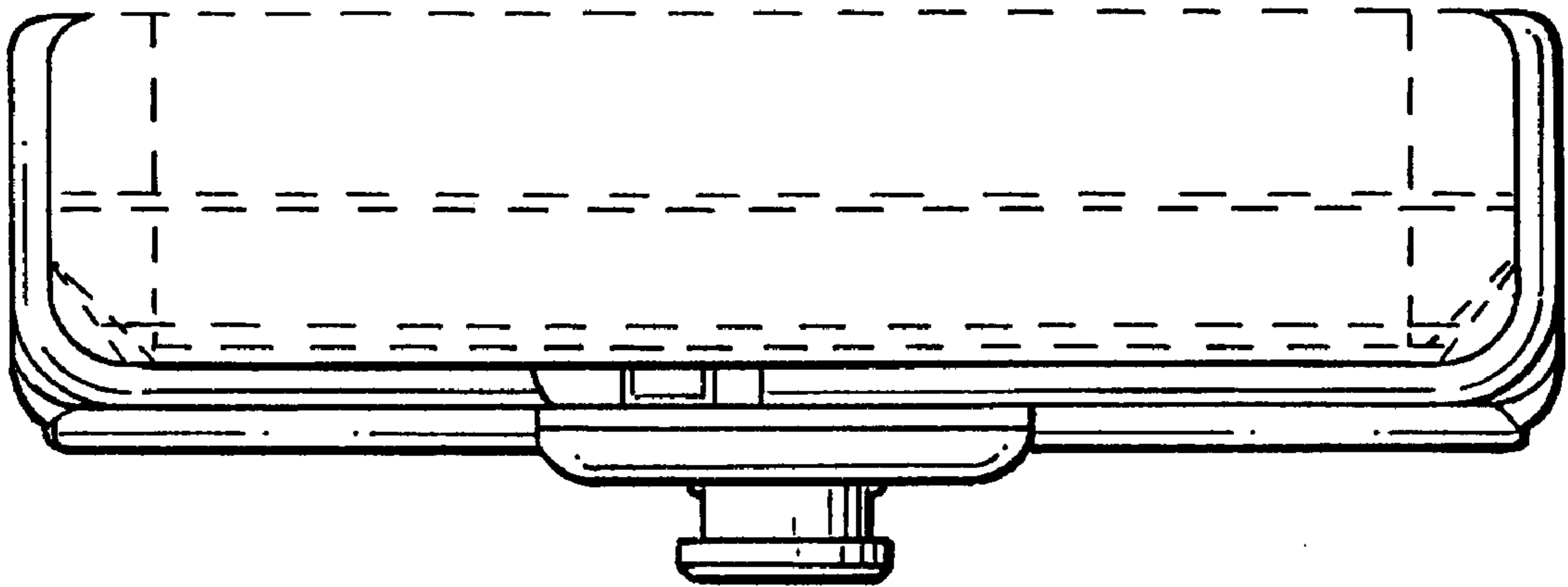


FIG. 5