



US00D467580S

(12) **United States Design Patent**
Mori

(10) **Patent No.:** **US D467,580 S**

(45) **Date of Patent:** **** Dec. 24, 2002**

(54) **HEADPHONE**

6,006,115 A 12/1999 Wingate D14/205 X
D423,012 S 4/2000 Yasutomi D14/205

(75) Inventor: **Akinari Mori**, Tokyo (JP)

OTHER PUBLICATIONS

(73) Assignee: **Sony Corporation**, Tokyo (JP)

Catalog "SONY Headphone/Active Speaker System", 3 sheets, Sony, Mar. 1998.

(**) Term: **14 Years**

Webpage "Yodobashi Camera Personal Store", 3 sheets, Yodobashi Camera, Jan. 2000.

(21) Appl. No.: **29/143,282**

* cited by examiner

(22) Filed: **Jun. 12, 2001**

Related U.S. Application Data

Primary Examiner—Nanda Bondade

(62) Division of application No. 29/127,863, filed on Aug. 15, 2000, now Pat. No. Des. 443,872.

(74) *Attorney, Agent, or Firm*—Rader, Fishman & Grauer PLLC

(51) **LOC (7) Cl.** **14-01**

(57) **CLAIM**

(52) **U.S. Cl.** **D14/223**

The ornamental design for a headphone, as shown and described.

(58) **Field of Search** D14/205, 206,
D14/223, 249; 181/129, 130; 381/376–379,
381, 383

DESCRIPTION

(56) **References Cited**

FIG. 1 is a perspective view of a headphone showing my new design;

FIG. 2 is a top plan view thereof;

FIG. 3 is a bottom plan view thereof;

FIG. 4 is a left side elevational view thereof;

FIG. 5 is a right side elevational view thereof;

FIG. 6 is a front elevational view thereof; and,

FIG. 7 is a rear elevational view thereof.

Portions in broken lines on FIGS. 1–7 are for illustrative purposes only and form no part of claimed design.

U.S. PATENT DOCUMENTS

D135,674 S	5/1943	William et al.	D14/205
4,189,788 A	*	2/1980 Schenke	381/379
D299,129 S	12/1988	Wiegel	D14/223
5,117,464 A	*	5/1992 Jones et al.	181/129
D376,598 S	12/1996	Hayashi	D14/206
D379,817 S	6/1997	Lin	D14/223
D391,575 S	3/1998	Bergin et al.	D14/223
D409,197 S	5/1999	Nakamura	D14/205

1 Claim, 4 Drawing Sheets

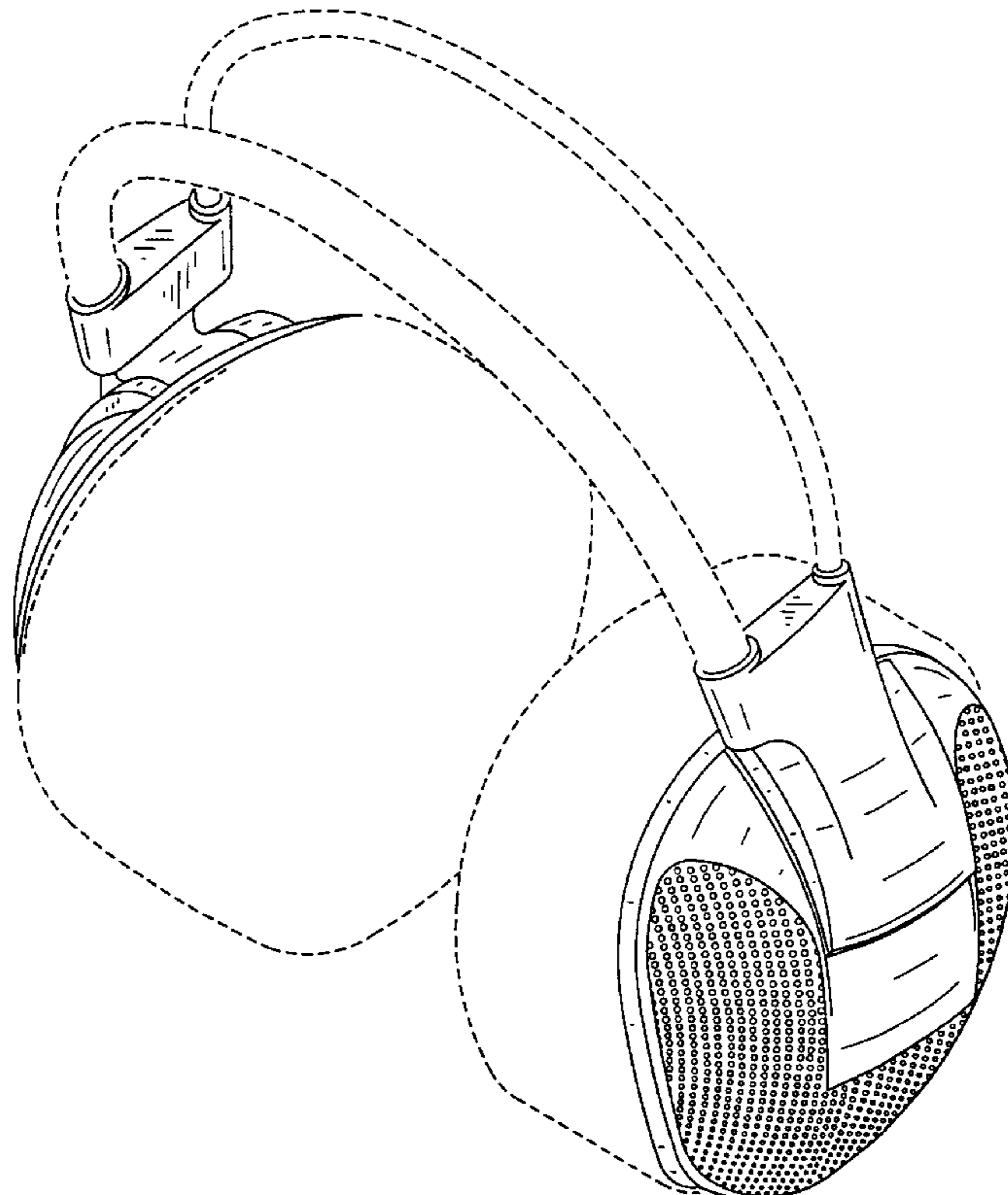


FIG. 1

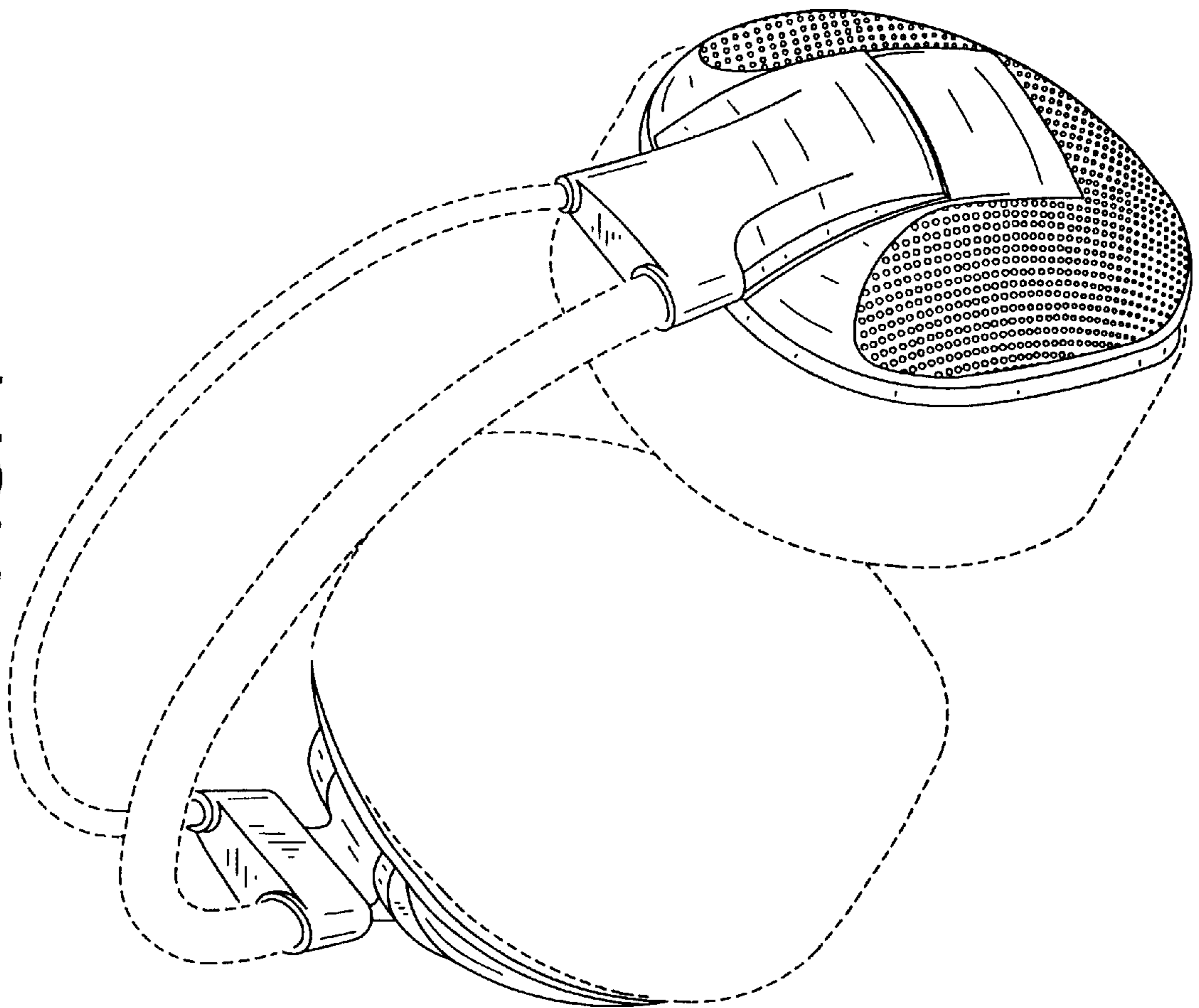


FIG. 2

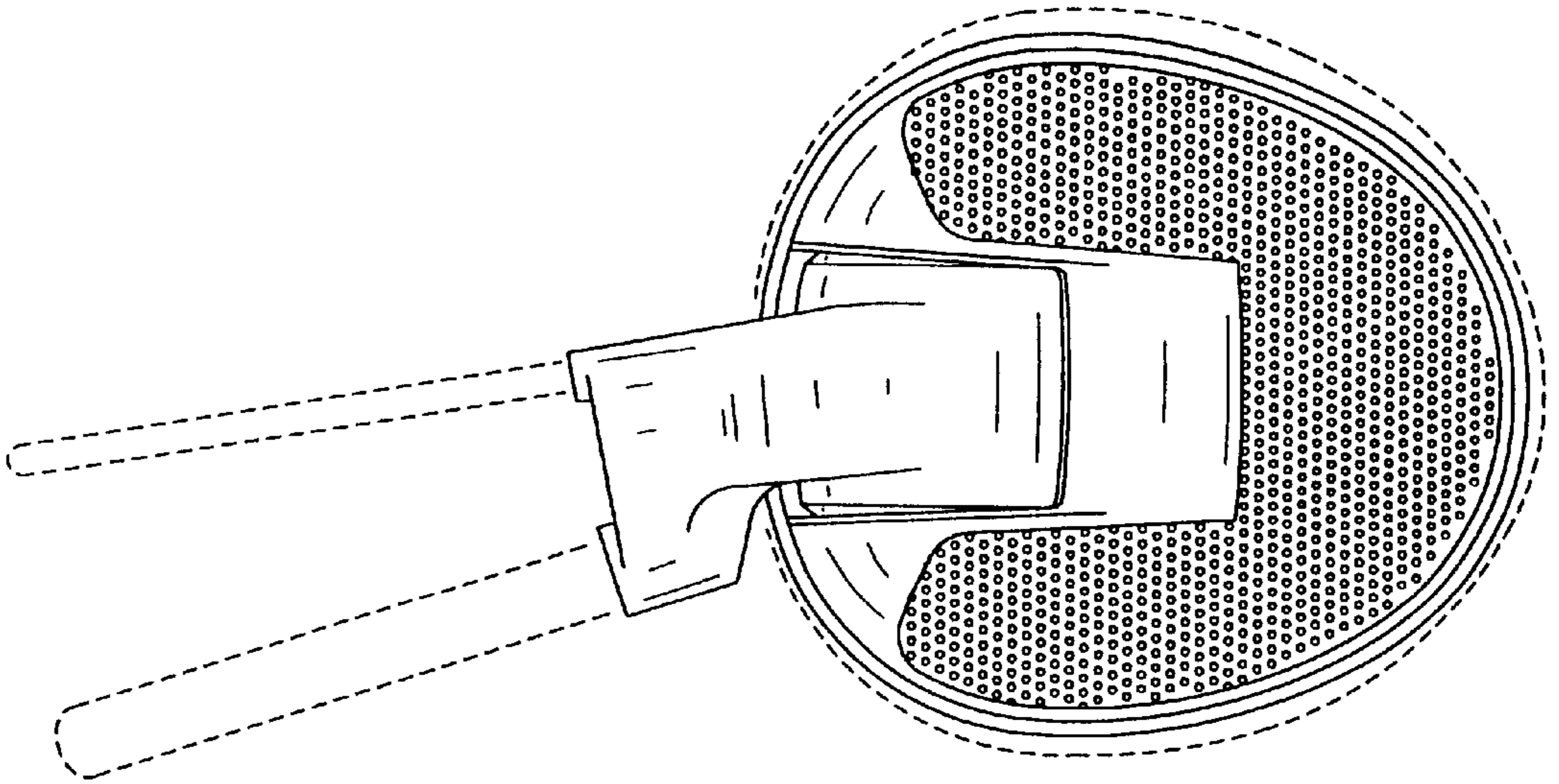


FIG. 3

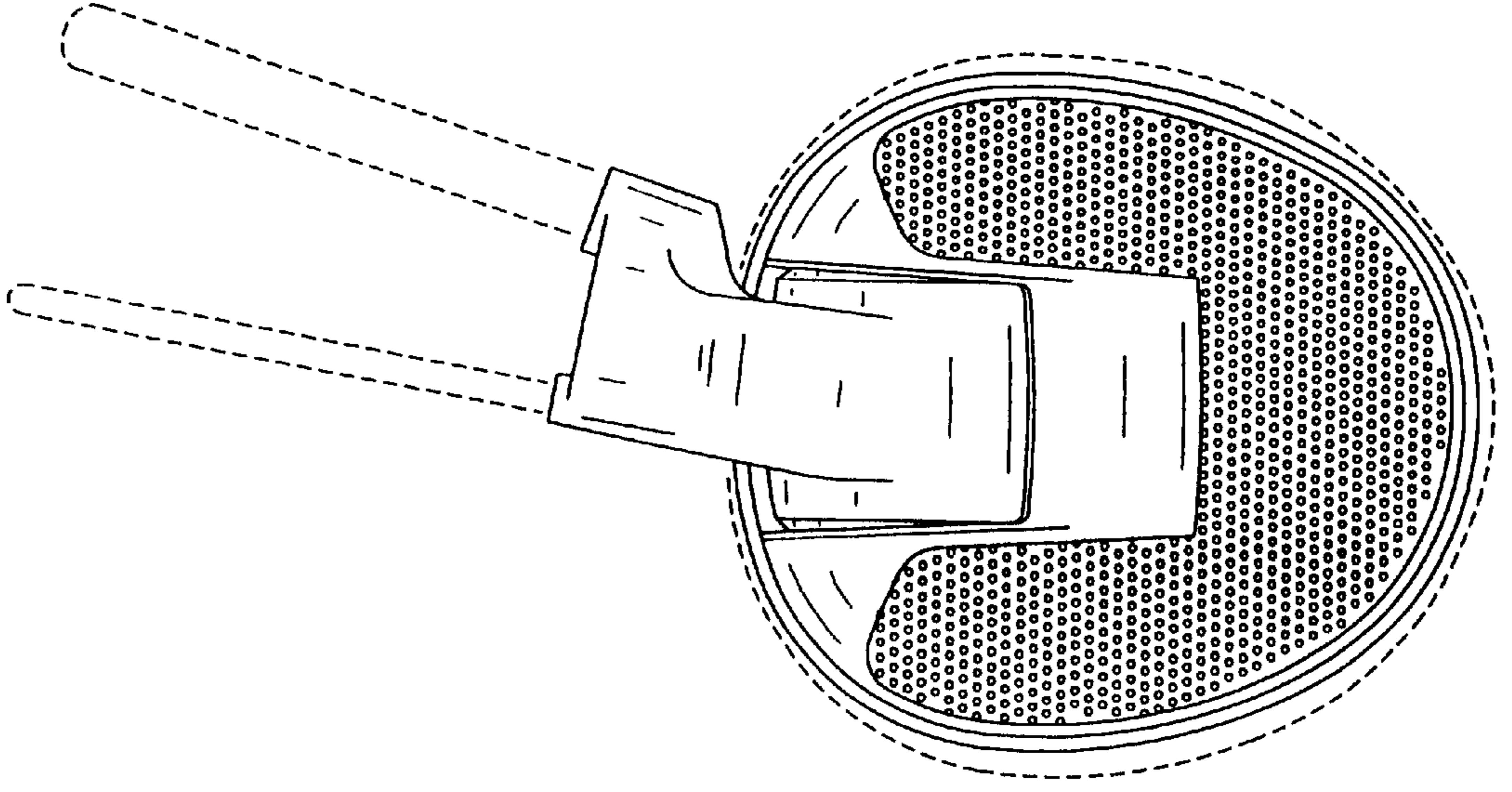


FIG. 5

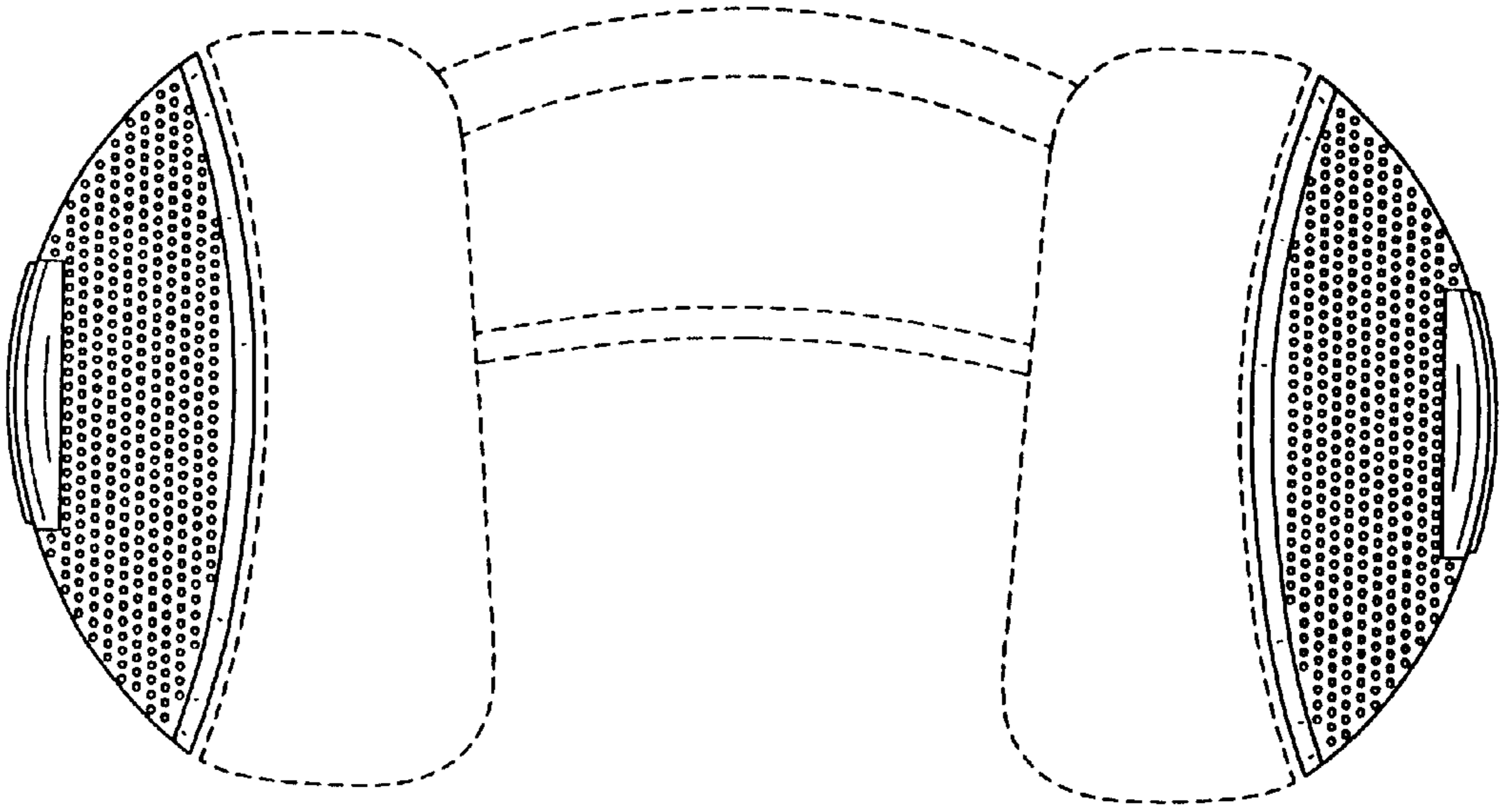


FIG. 4

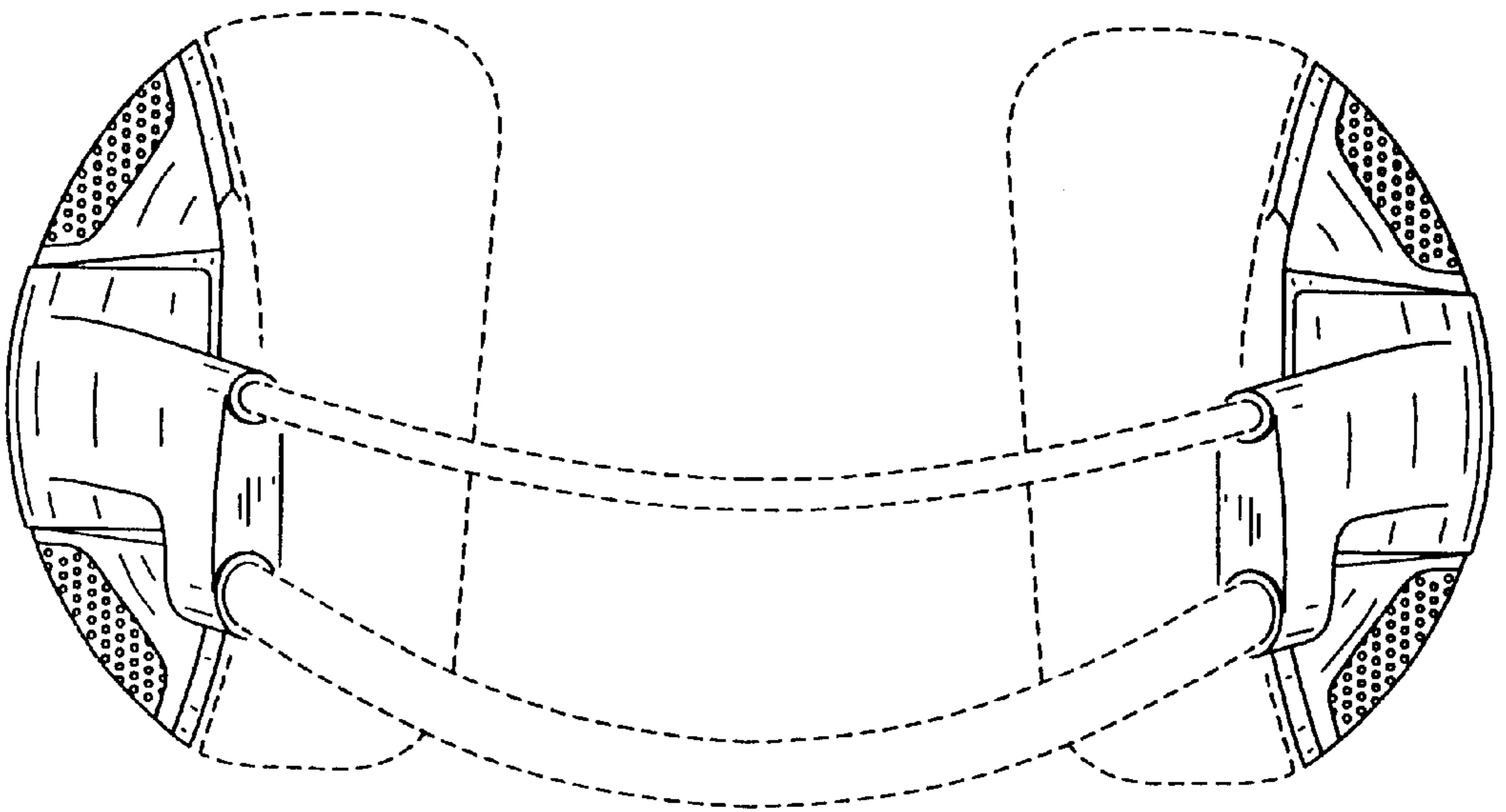


FIG. 7

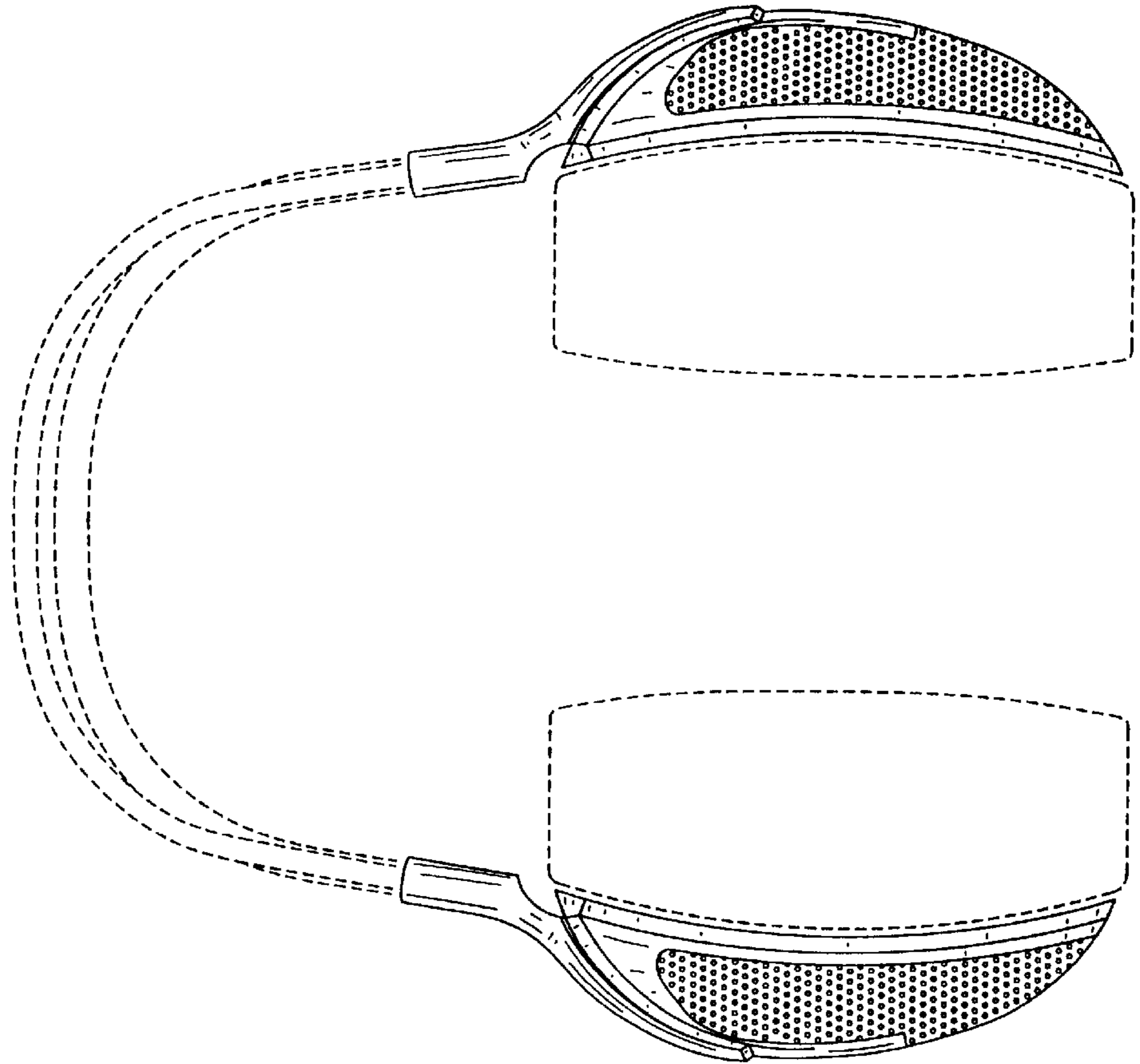


FIG. 6

