



US00D467573S

(12) **United States Design Patent**
Green

(10) **Patent No.:** **US D467,573 S**

(45) **Date of Patent:** **** Dec. 24, 2002**

(54) **LOUDSPEAKER**

(75) **Inventor:** **Seth N. Green**, Newton, MA (US)

(73) **Assignee:** **Bose Corporation**, Framingham, MA (US)

(**) **Term:** **14 Years**

(21) **Appl. No.:** **29/143,592**

(22) **Filed:** **Jun. 15, 2001**

(51) **LOC (7) Cl.** **14-01**

(52) **U.S. Cl.** **D14/214**

(58) **Field of Search** D14/204, 207-216,
D14/221-222; 181/144-145, 147-148,
150, 152-153, 157, 198-199; 381/300-302,
307, 359, 361-364, 386

(56) **References Cited**

U.S. PATENT DOCUMENTS

D382,270 S * 8/1997 Matsuoka D14/215

D382,564 S * 8/1997 Shiono D14/214
5,933,507 A * 8/1999 Woolley et al. 381/300
D421,438 S * 3/2000 Bothe D14/214
D434,750 S * 12/2000 Childres et al. D14/204

* cited by examiner

Primary Examiner—Nanda Bondade

(74) *Attorney, Agent, or Firm*—Fish & Richardson P.C.

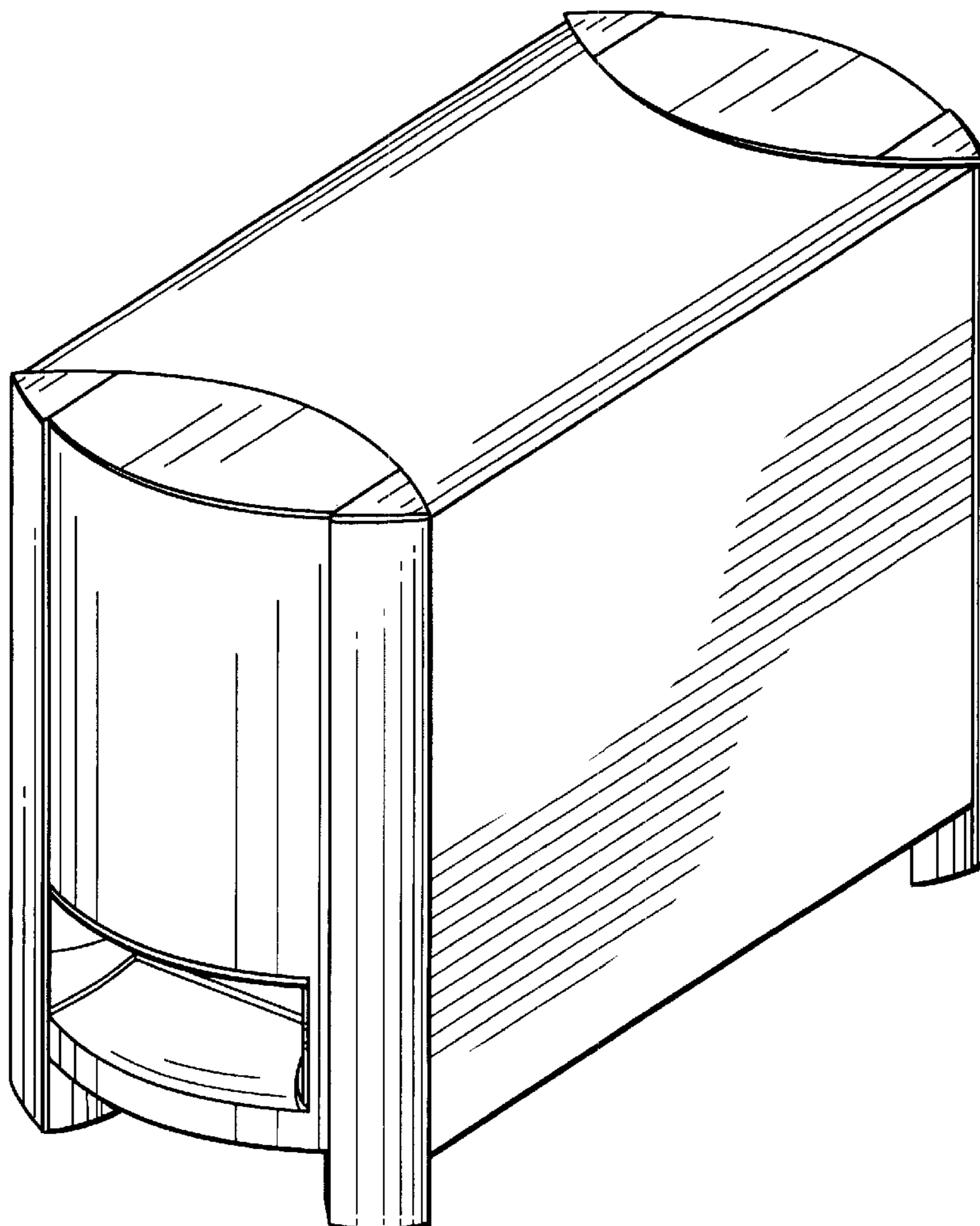
(57) **CLAIM**

The ornamental design for a loudspeaker, substantially as shown and described.

DESCRIPTION

FIG. 1 is an isometric view of the loudspeaker;
FIG. 2 is a top view of the loudspeaker;
FIG. 3 is a bottom view of the loudspeaker;
FIG. 4 is a left side elevational view of the loudspeaker;
FIG. 5 is a right side elevational view of the loudspeaker;
FIG. 6 is a front view of the loudspeaker; and,
FIG. 7 is a rear view of the loudspeaker.

1 Claim, 7 Drawing Sheets



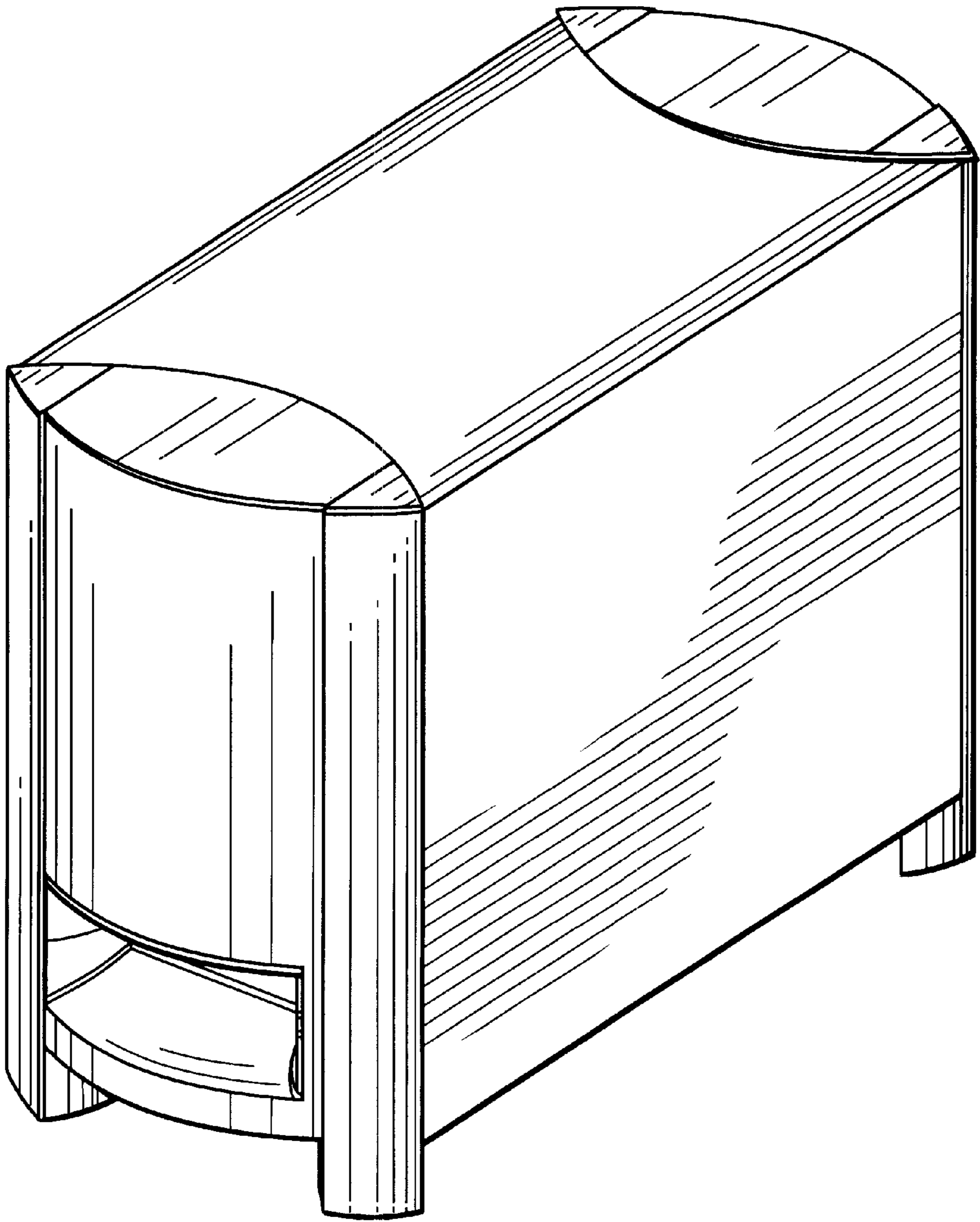


FIG. 1

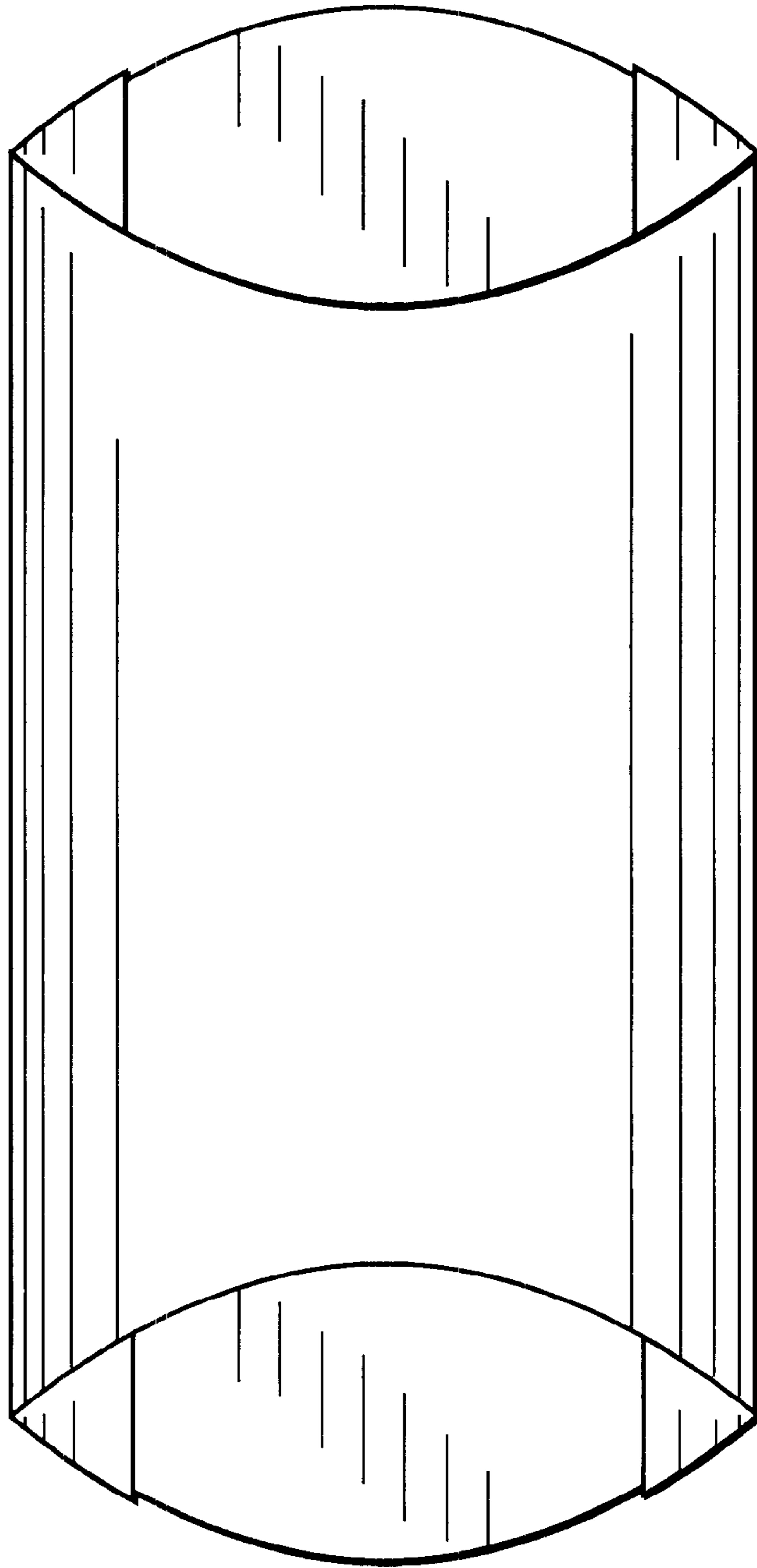


FIG. 2

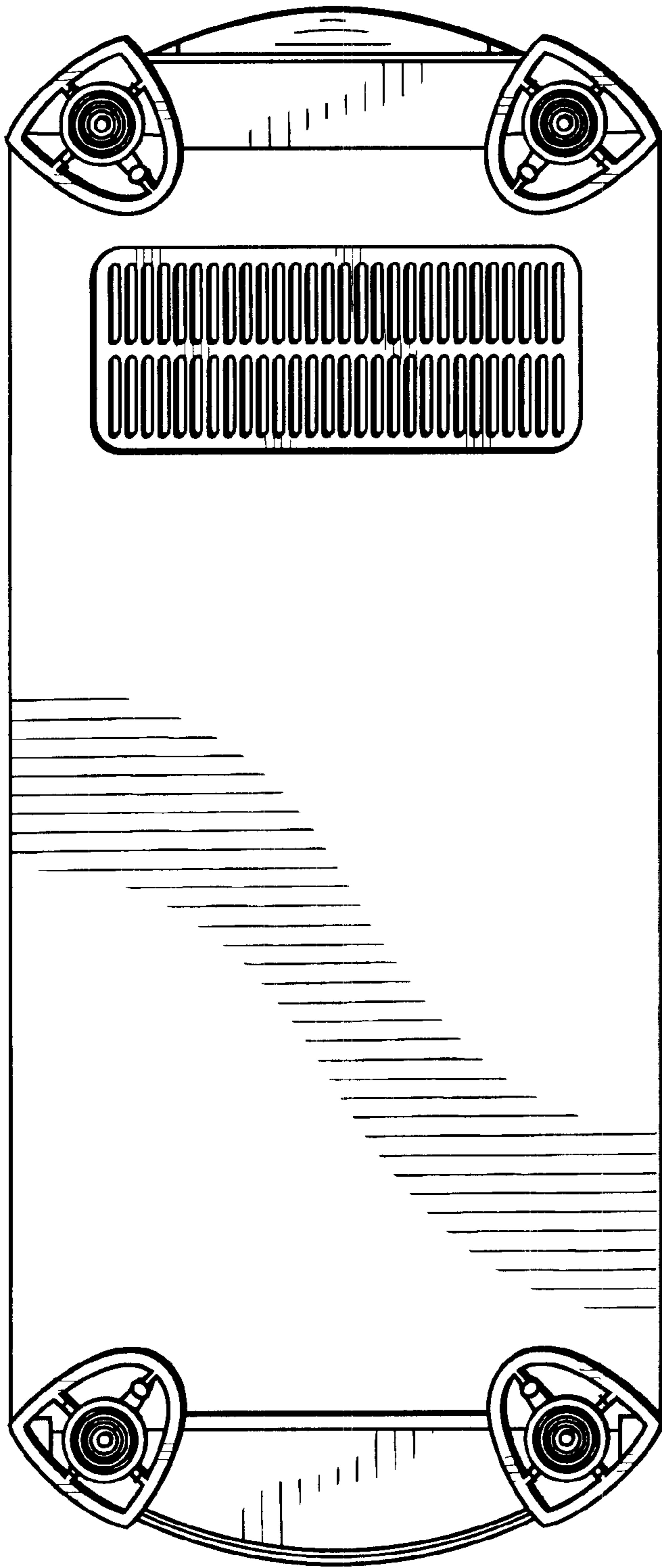


FIG. 3

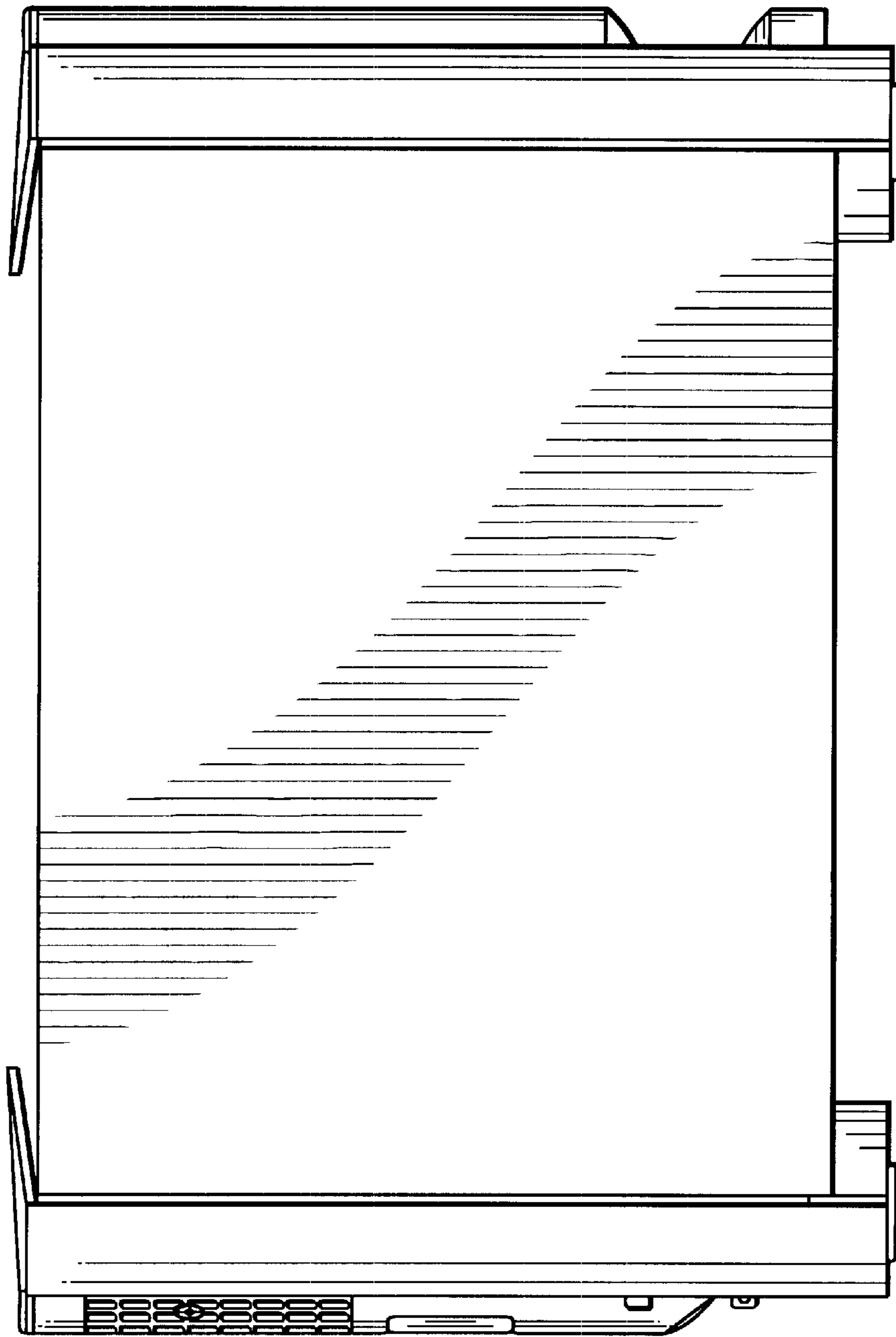


FIG. 4

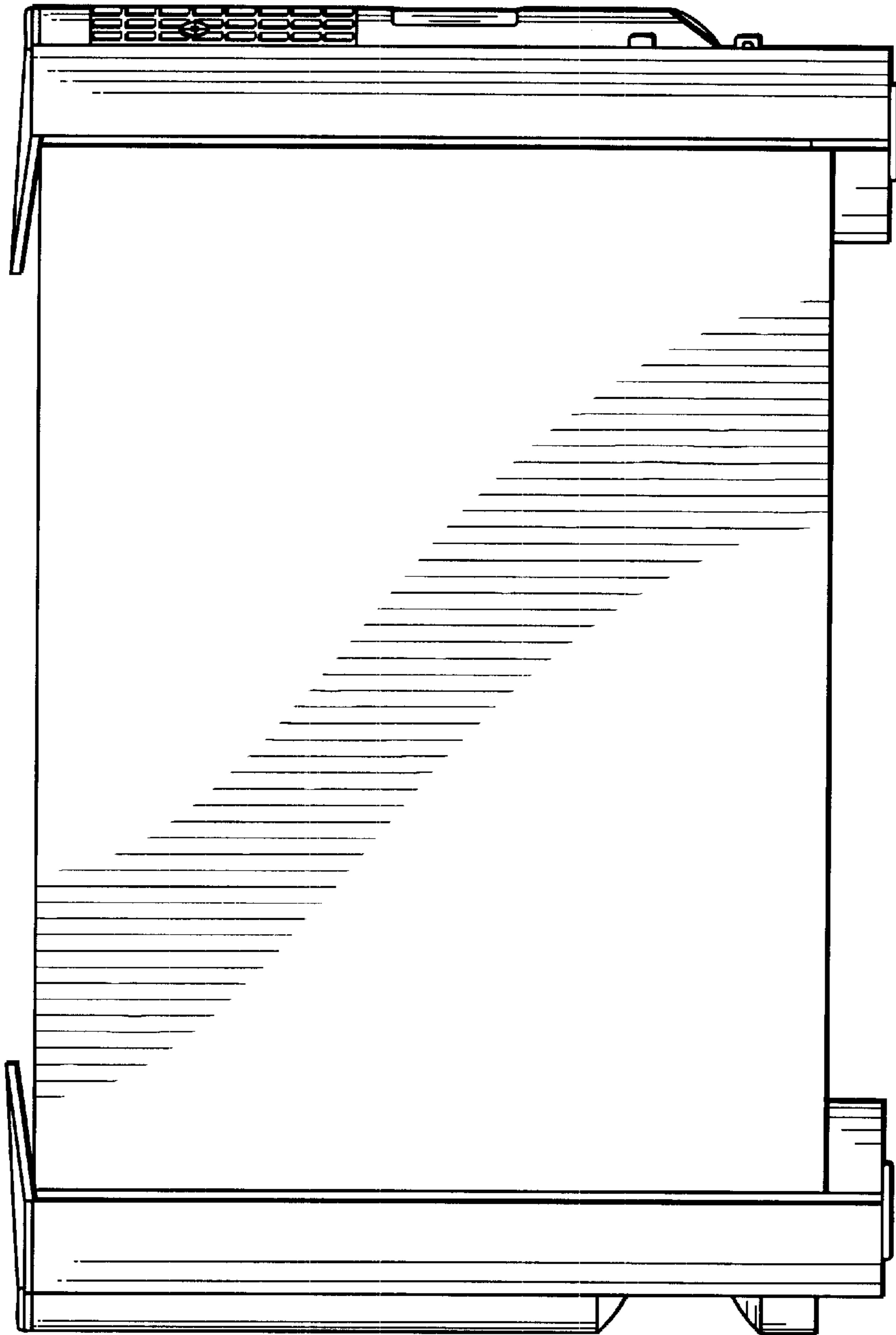


FIG. 5

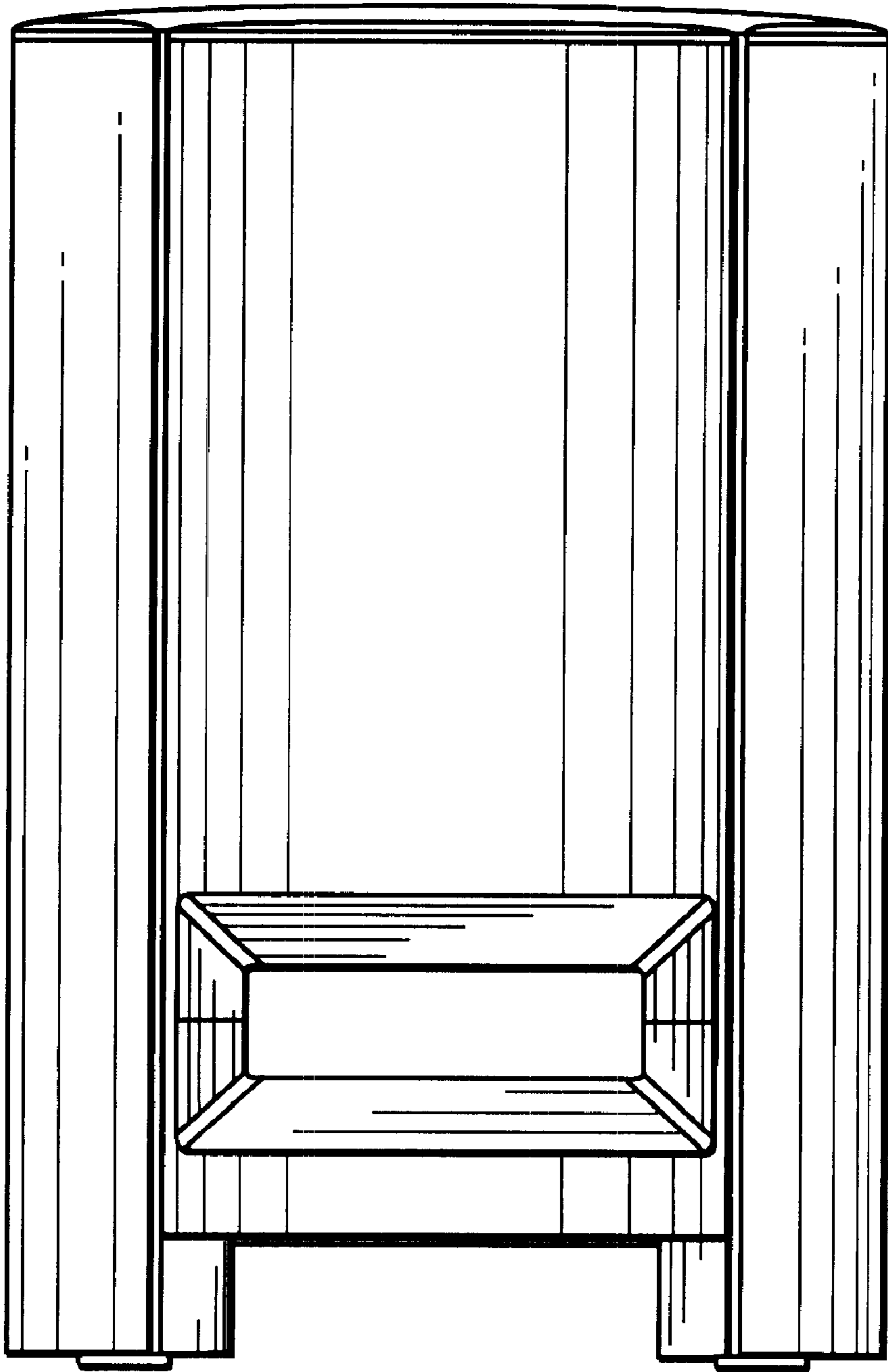


FIG. 6

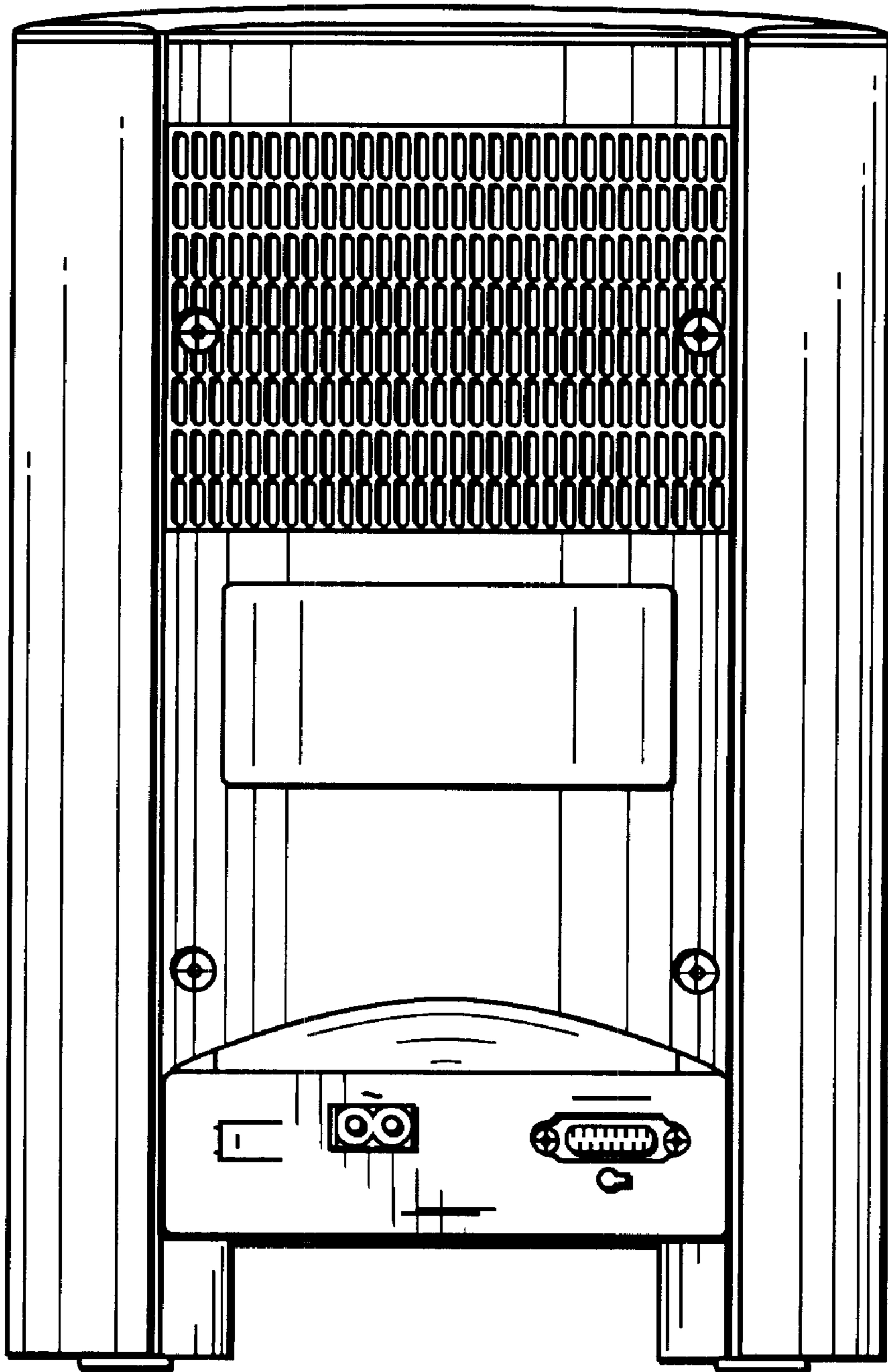


FIG. 7