



US00D467569S

(12) **United States Design Patent**
Kobayashi

(10) **Patent No.:** **US D467,569 S**

(45) **Date of Patent:** **** Dec. 24, 2002**

(54) **COMBINED DISC PLAYER AND RECEIVER**

(75) Inventor: **Takayuki Kobayashi**, Tokyo (JP)

(73) Assignee: **Sony Corporation**, Tokyo (JP)

(**) Term: **14 Years**

(21) Appl. No.: **29/150,022**

(22) Filed: **Oct. 31, 2001**

(51) **LOC (7) Cl.** **14-01**

(52) **U.S. Cl.** **D14/168**

(58) **Field of Search** **D14/168**

(56) **References Cited**

U.S. PATENT DOCUMENTS

D389,147 S	*	1/1998	Ito et al.	D14/168
D409,611 S	*	5/1999	Ito et al.	D14/168
D425,892 S	*	5/2000	Ito et al.	D14/168
D435,535 S		12/2000	Shudo et al.		

OTHER PUBLICATIONS

Catalog 98 "MDLP MD MZ-E501," p. 345, Sony Corporation (Jul. 2001).

* cited by examiner

Primary Examiner—N. Bondade

(74) *Attorney, Agent, or Firm*—Rader, Fishman & Grauer PLLC

(57) **CLAIM**

The ornamental design for a combined disc player and receiver, as shown and described.

DESCRIPTION

FIG. 1 is a perspective view of a combined disc player and receiver showing my new design;

FIG. 2 is a front elevational view thereof;

FIG. 3 is a rear elevational view thereof;

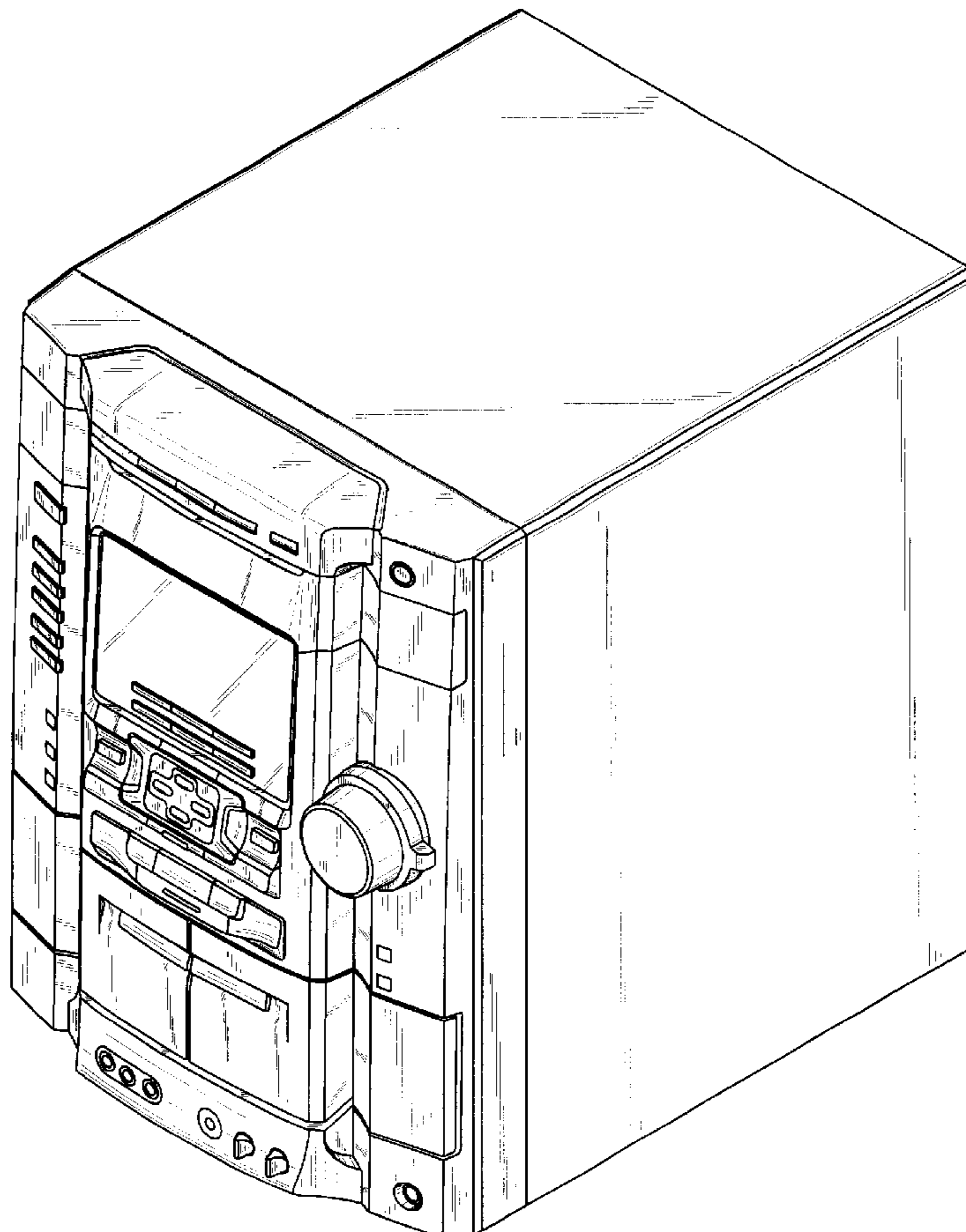
FIG. 4 is a left side elevational view thereof;

FIG. 5 is a right side elevational view thereof;

FIG. 6 is a top plan view thereof; and,

FIG. 7 is a bottom plan view thereof.

1 Claim, 4 Drawing Sheets



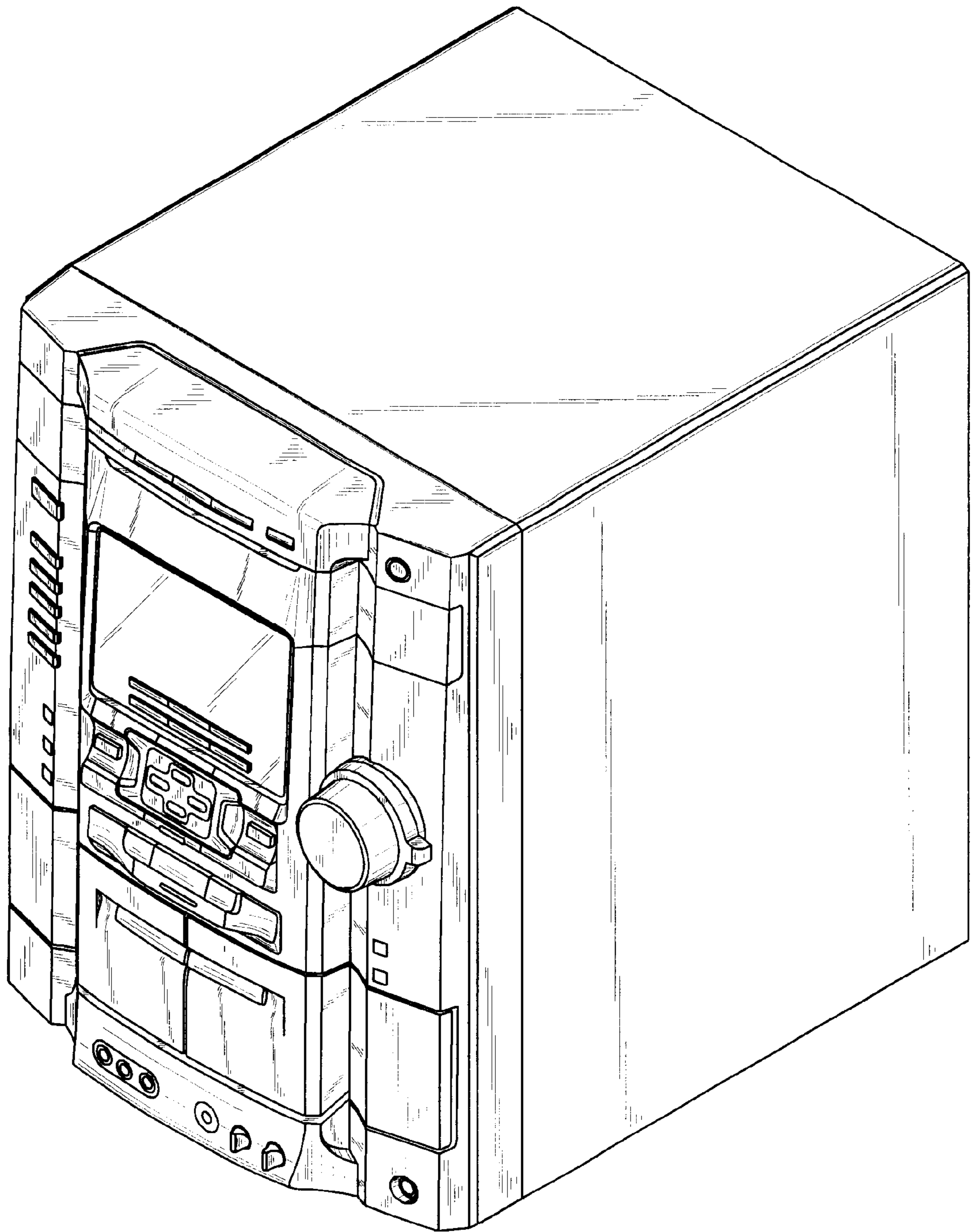


Fig. 1

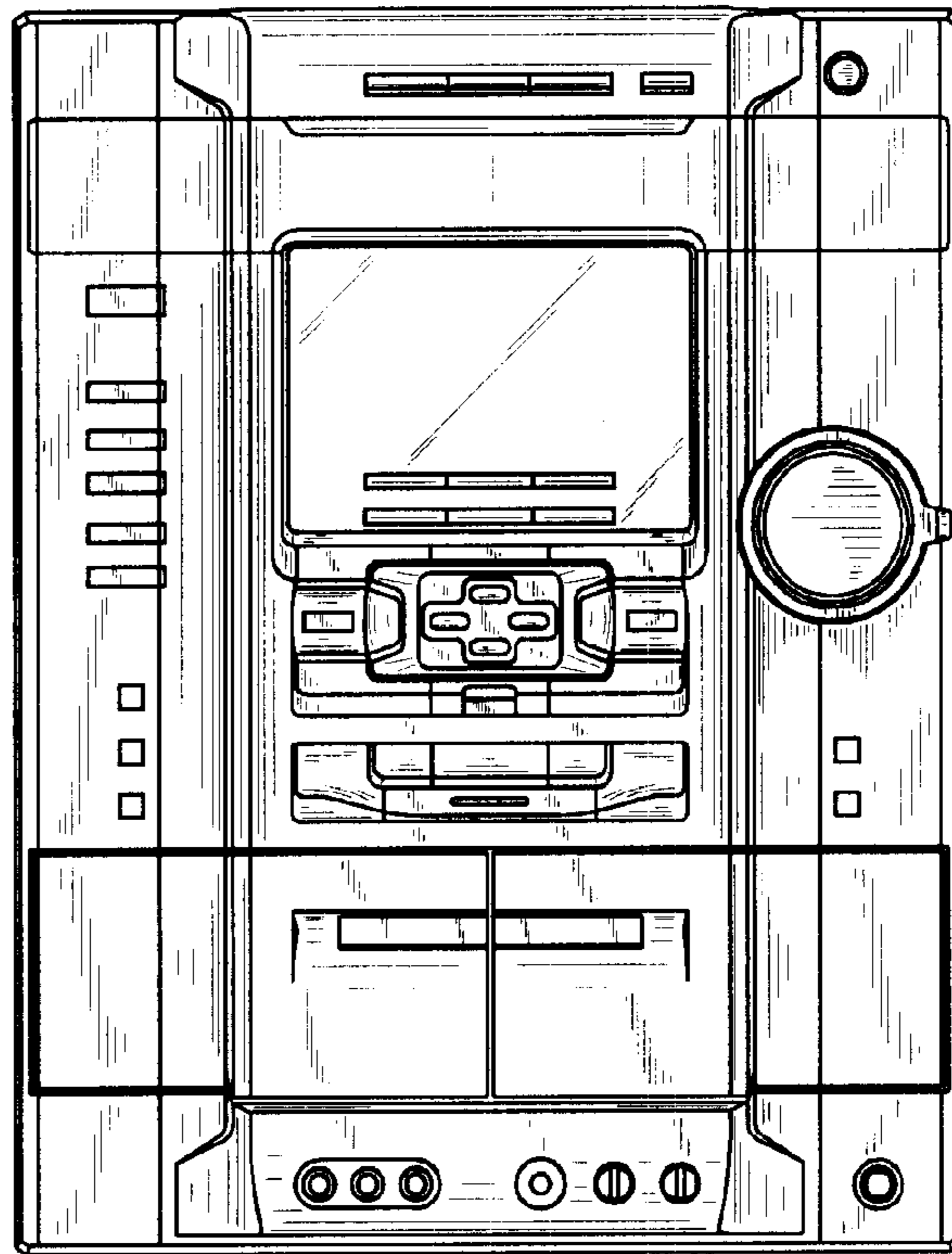


Fig. 2

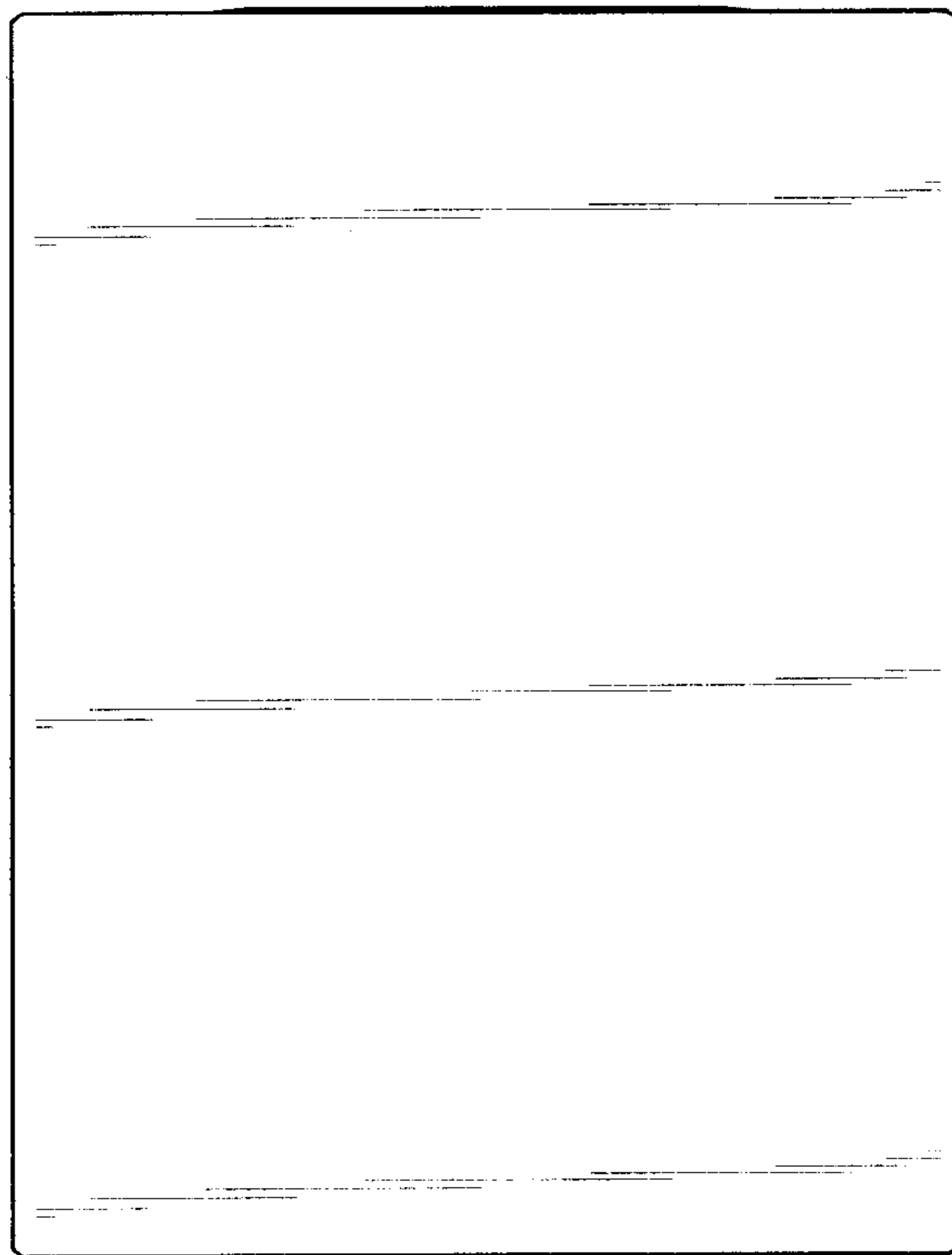


Fig. 3

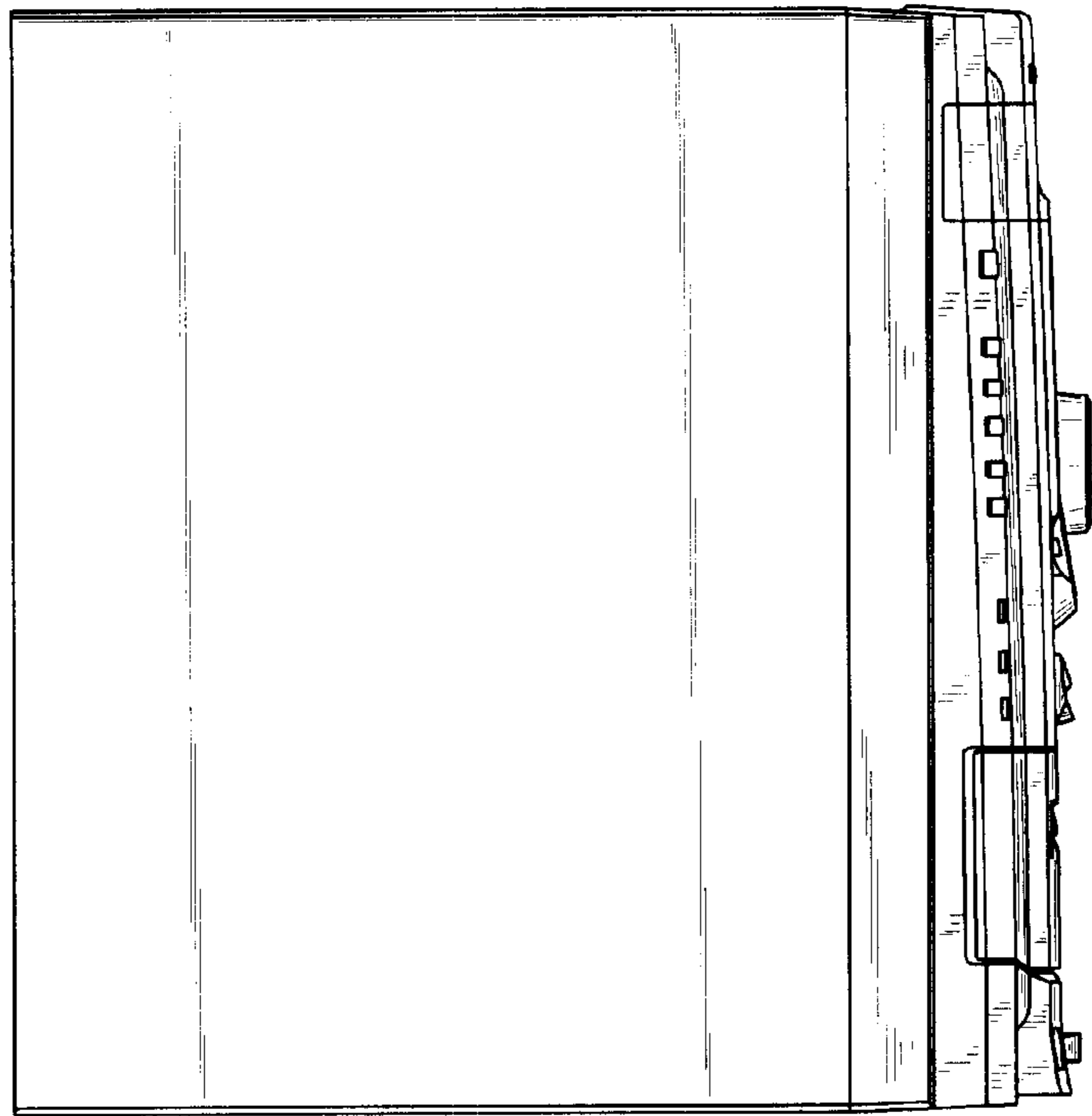


Fig. 4

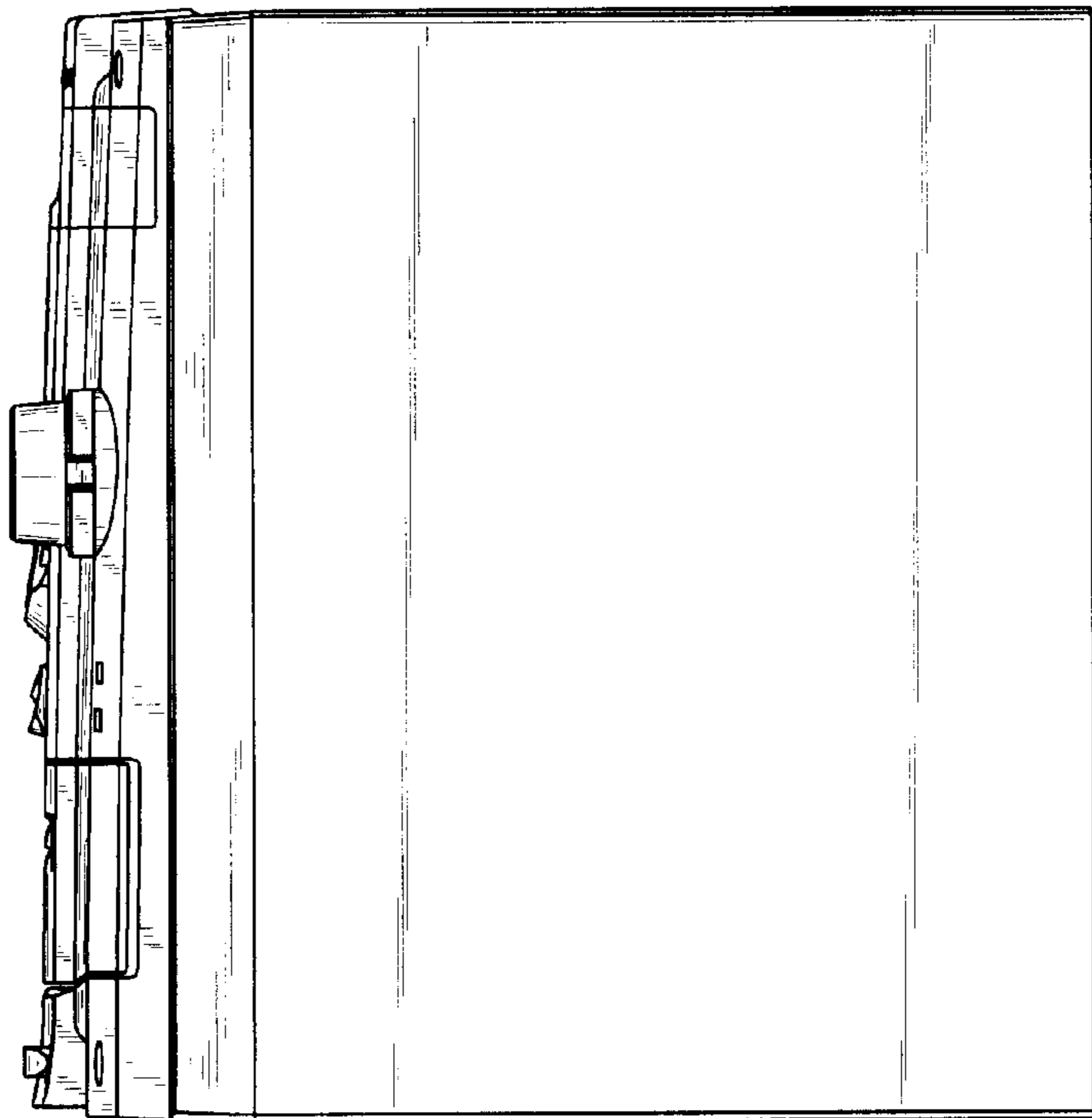


Fig. 5

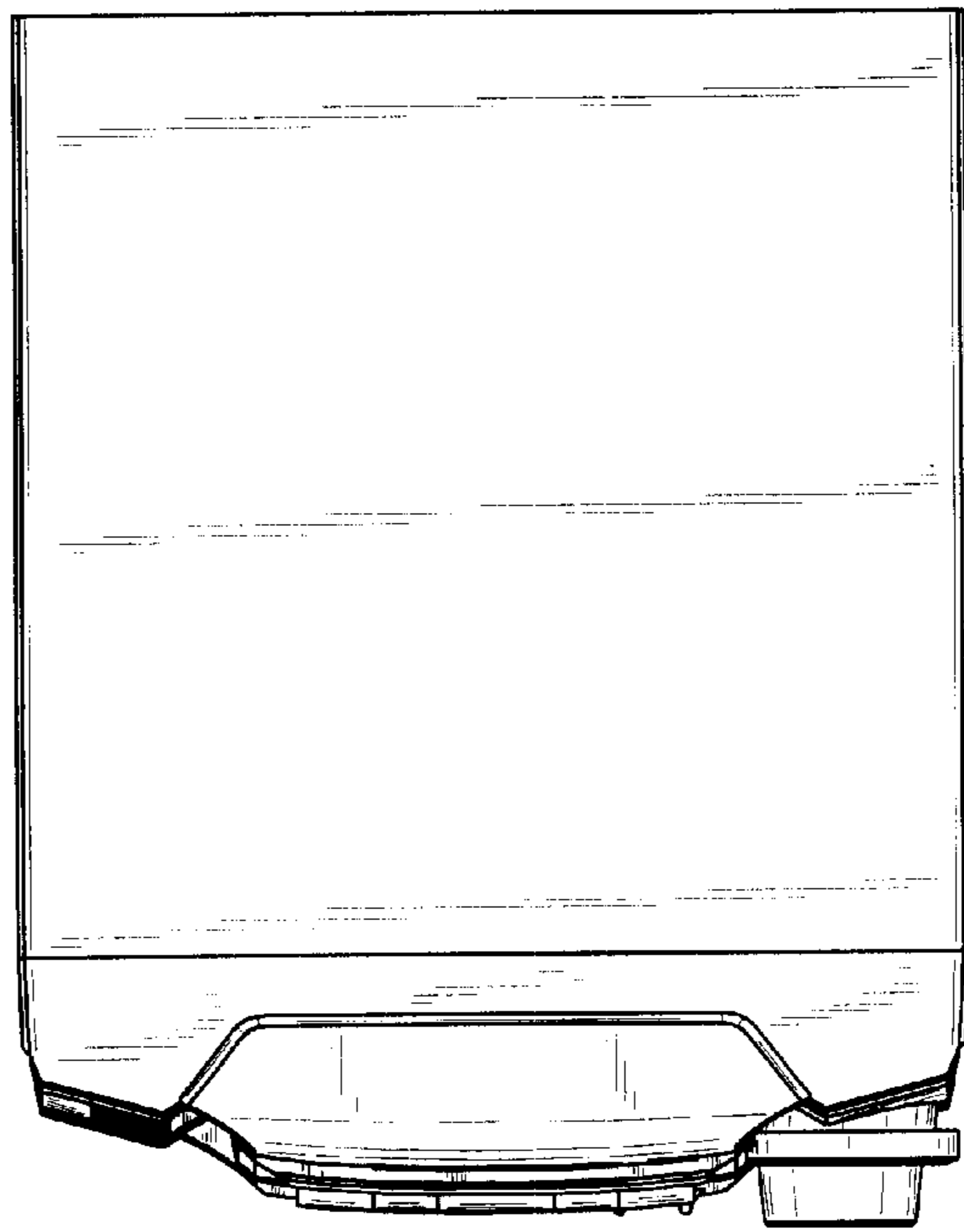


Fig. 6

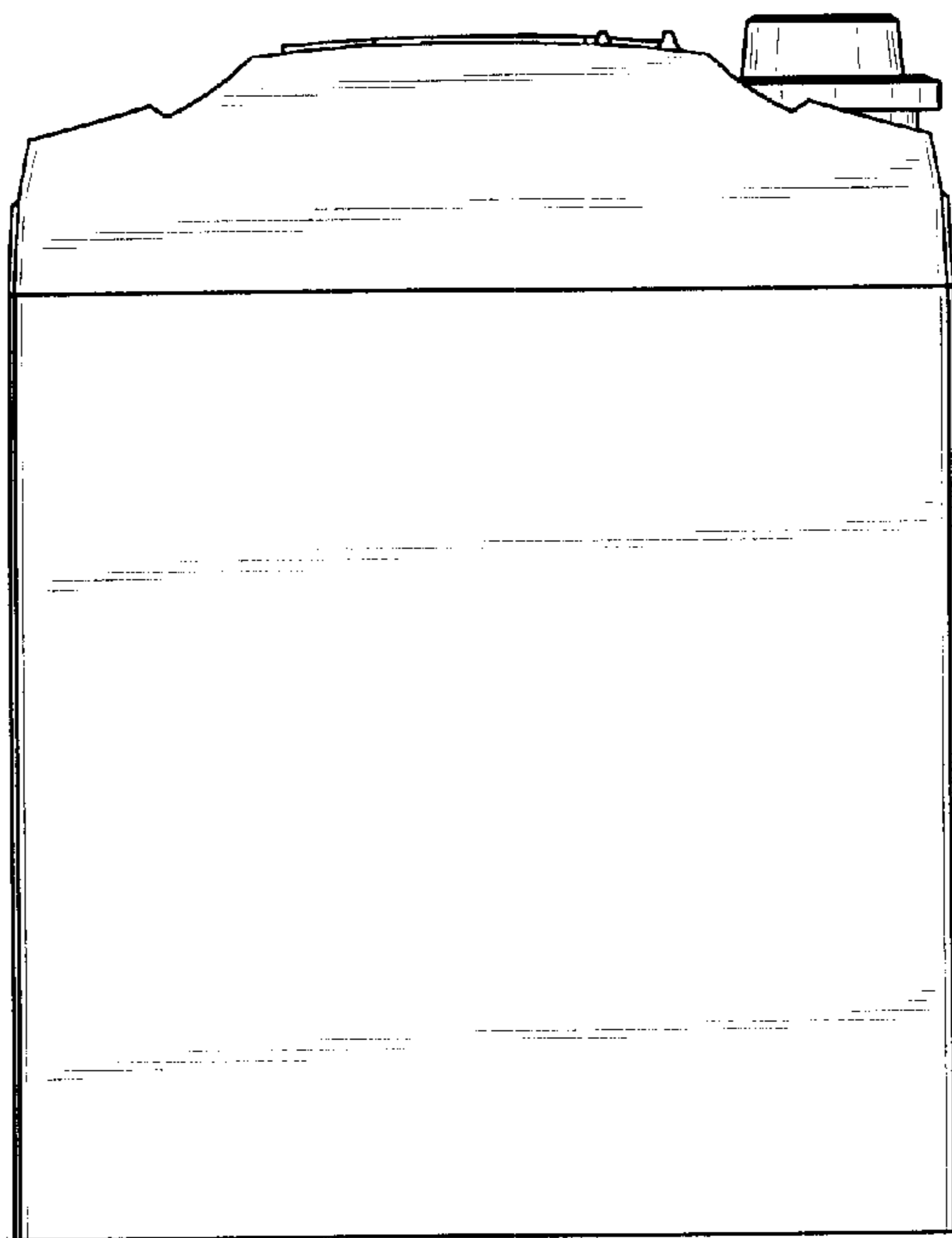


Fig. 7