



US00D467567S

(12) **United States Design Patent**
Tsuge

(10) **Patent No.:** **US D467,567 S**

(45) **Date of Patent:** **** Dec. 24, 2002**

(54) **DISC PLAYER**

(75) Inventor: **Takahiro Tsuge**, Tokyo (JP)

(73) Assignee: **Sony Corporation**, Tokyo (JP)

(**) Term: **14 Years**

(21) Appl. No.: **29/154,517**

(22) Filed: **Jan. 28, 2002**

(51) **LOC (7) Cl.** **14-01**

(52) **U.S. Cl.** **D14/156**

(58) **Field of Search** D14/135-136,
D14/156-157, 160-164, 167-168, 188,
193-198, 257-258; 369/75.1, 75.2, 77.1,
77.2; 455/344, 347, 350-351

(56) **References Cited**

U.S. PATENT DOCUMENTS

D410,919 S	*	6/1999	Sato et al.	D14/136
D414,182 S		9/1999	Miyazaki		
D421,260 S		2/2000	Hyogo		
D427,989 S	*	7/2000	Ito et al.	D14/156
D432,111 S		10/2000	Takahashi		
D439,228 S		3/2001	Tsuge		

OTHER PUBLICATIONS

Web page "DVD-RV31" 1 sheet, <http://prob.matsushit.co.jp/products/t/DVD/DVD-RV31-t.html>, Matsushita Electric Corporation (Nov. 2001).

* cited by examiner

Primary Examiner—Nanda Bondade

(74) *Attorney, Agent, or Firm*—Rader, Fishman & Grauer PLLC

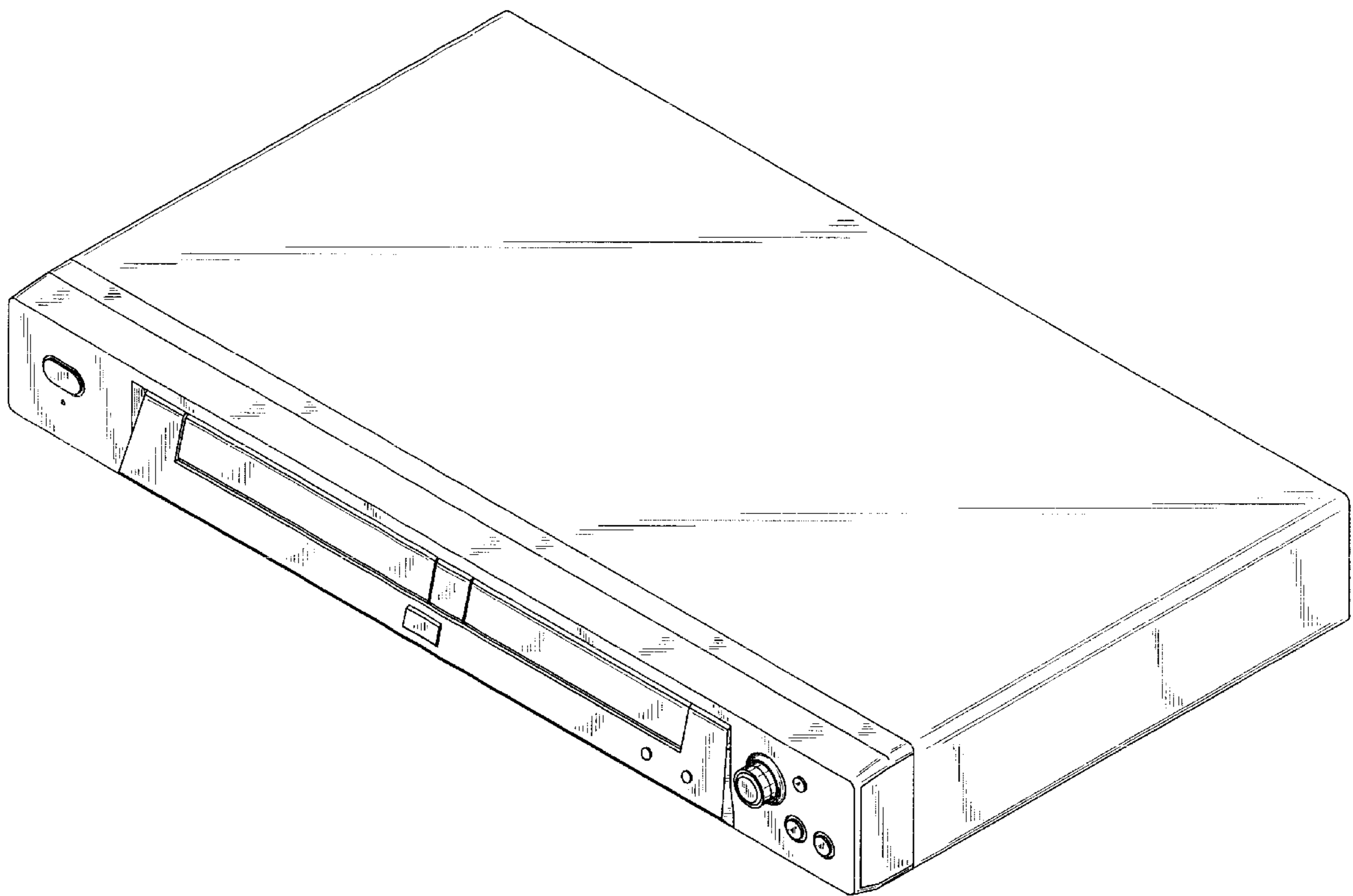
(57) **CLAIM**

The ornamental design for a disc player, as shown and described.

DESCRIPTION

FIG. 1 is a perspective view of a disc player showing my new design;
FIG. 2 is a front elevational view thereof;
FIG. 3 is a rear elevational view thereof;
FIG. 4 is a left side elevational view thereof;
FIG. 5 is a right side elevational view thereof;
FIG. 6 is a top plan view thereof; and,
FIG. 7 is a bottom plan view thereof.

1 Claim, 4 Drawing Sheets



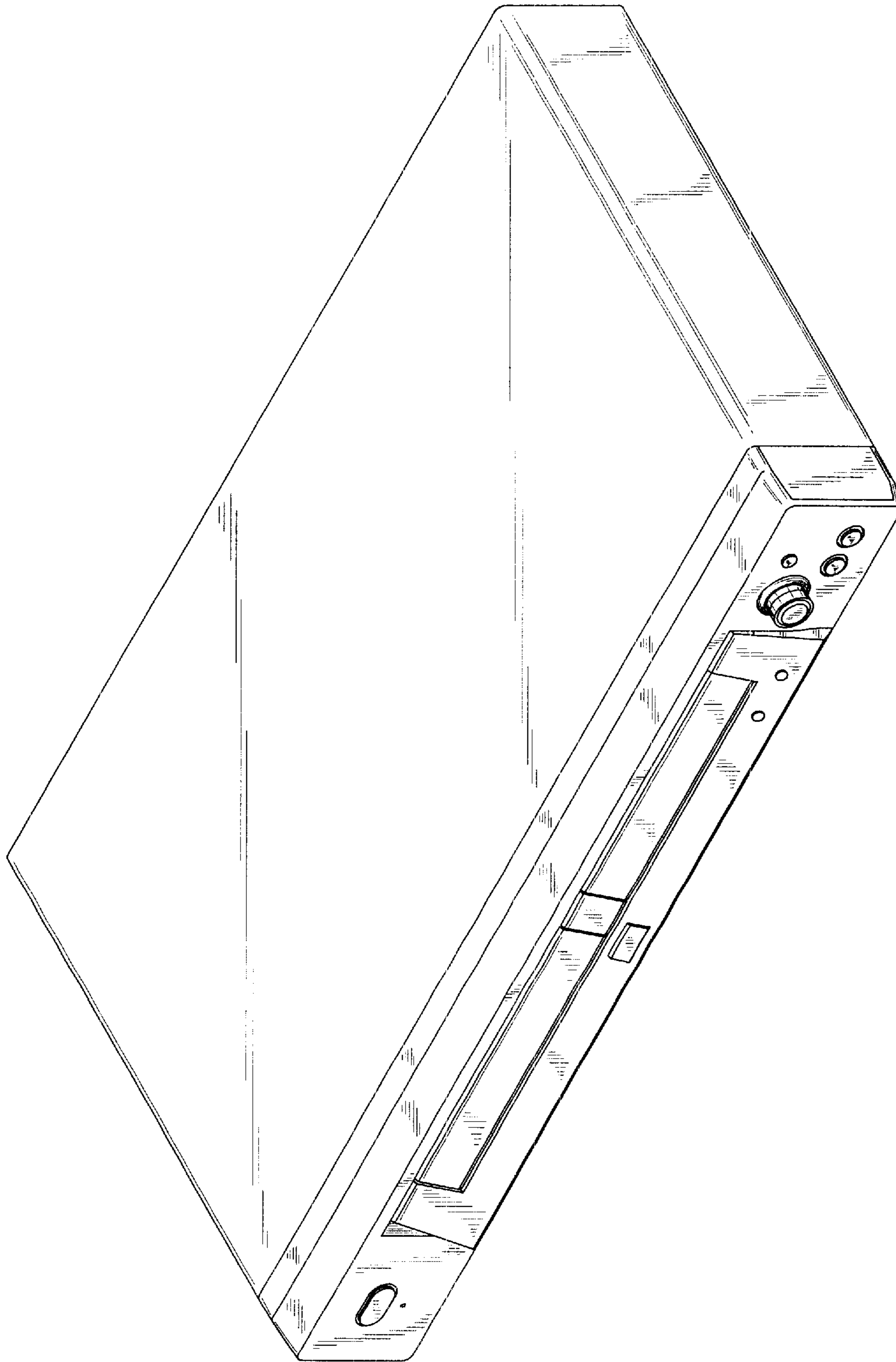


Fig. 1

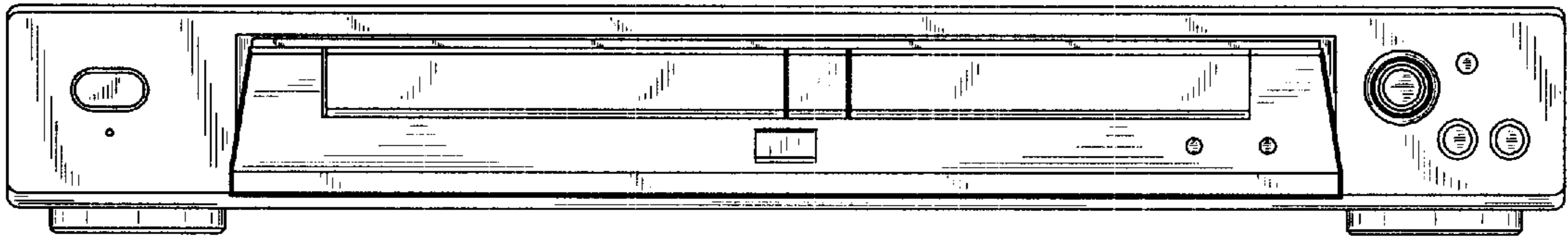


Fig. 2

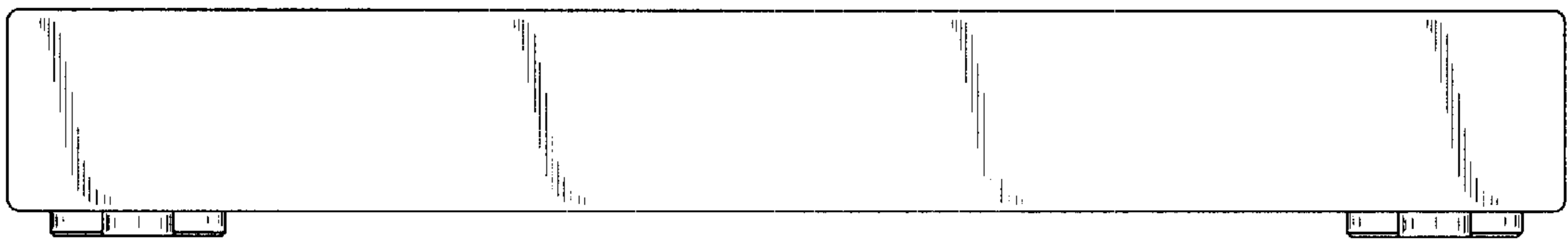


Fig. 3

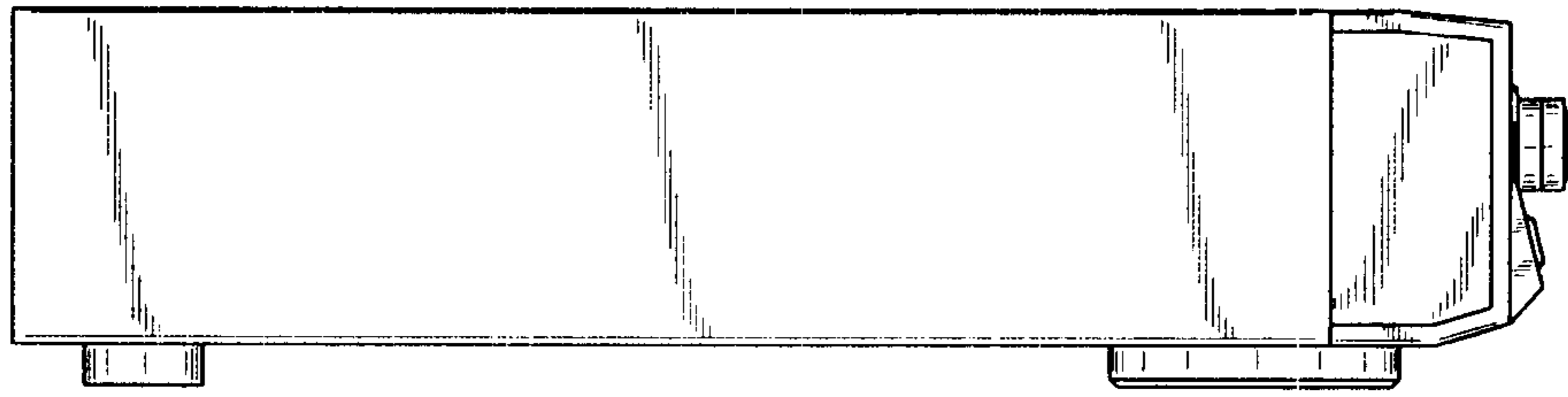


Fig. 4

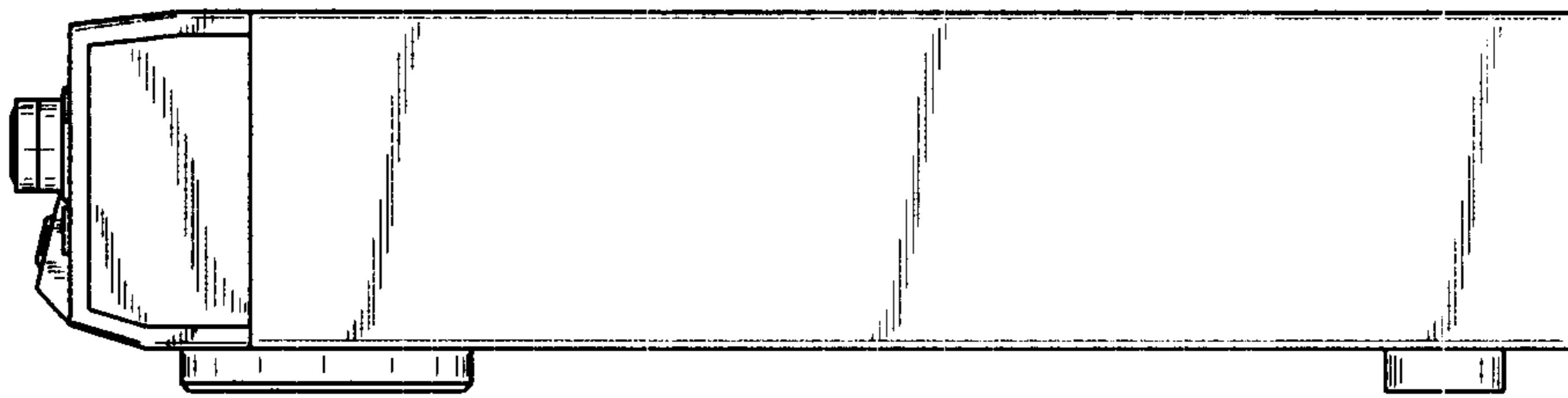


Fig. 5

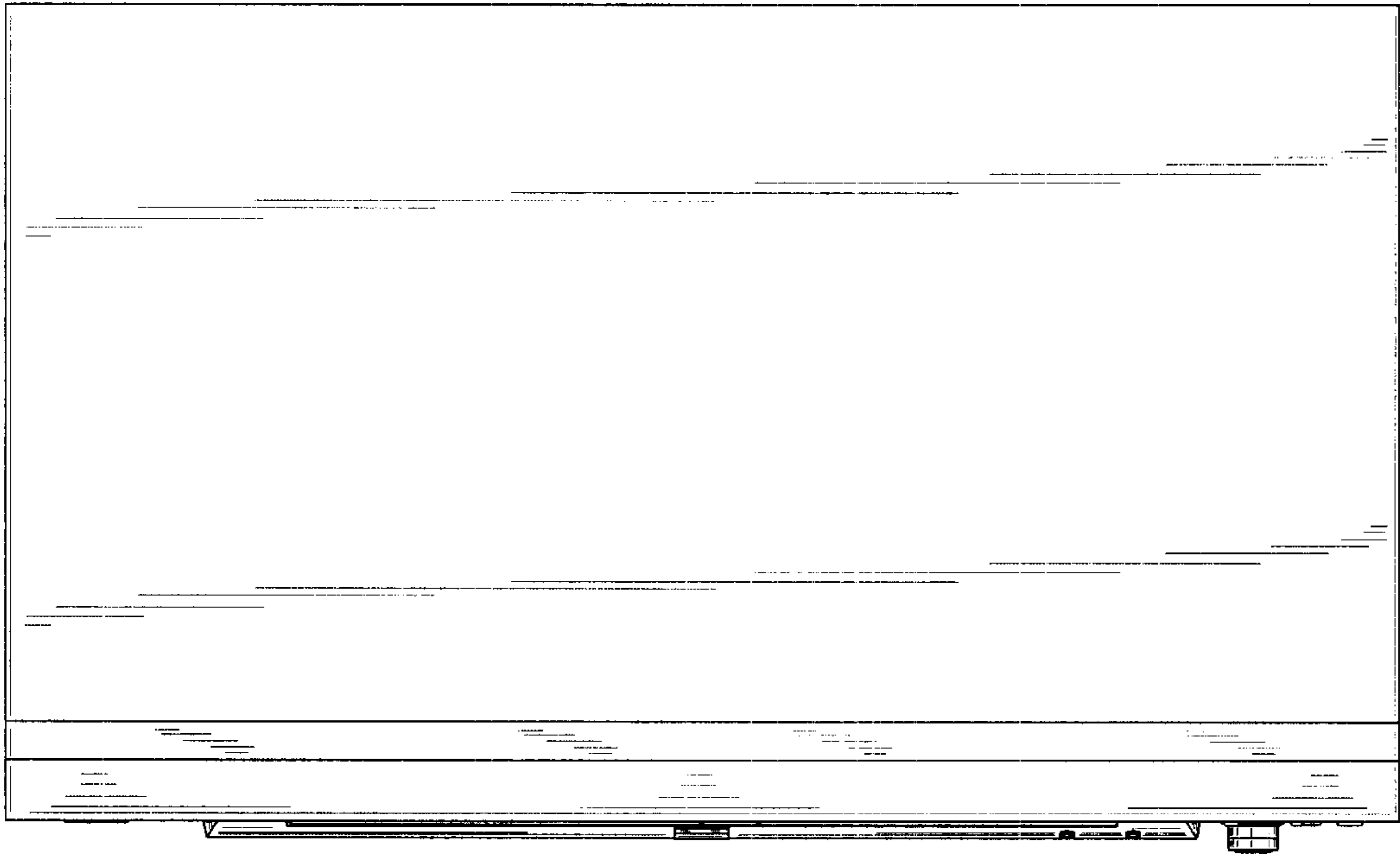


Fig. 6

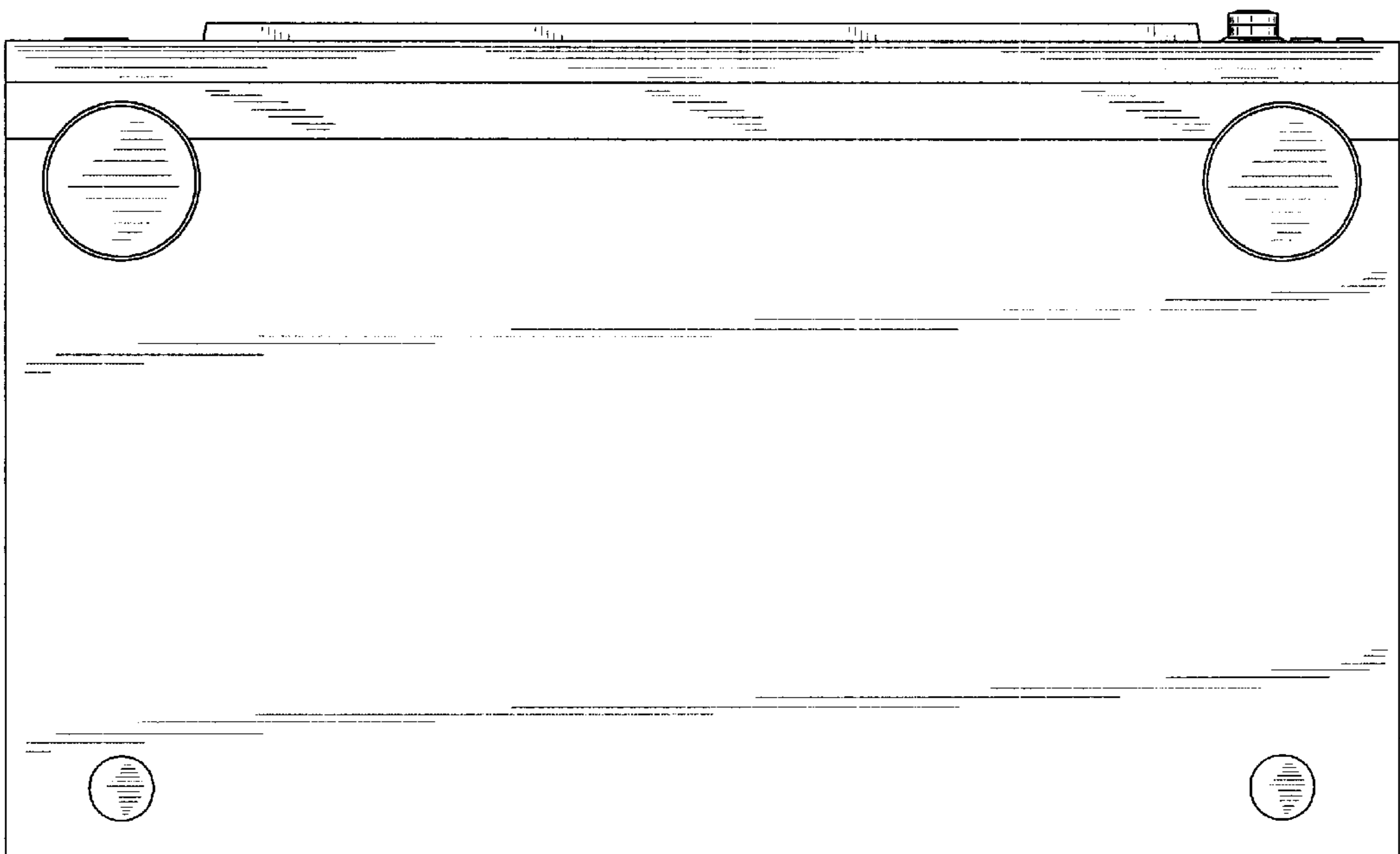


Fig. 7