



US00D467564S

(12) **United States Design Patent**
Obata

(10) **Patent No.:** **US D467,564 S**

(45) **Date of Patent:** **** Dec. 24, 2002**

(54) **COMBINED DISC PLAYER AND RECORDER**

(75) Inventor: **Shinichi Obata**, Tokyo (JP)

(73) Assignee: **Sony Corporation**, Tokyo (JP)

(**) Term: **14 Years**

(21) Appl. No.: **29/153,910**

(22) Filed: **Jan. 16, 2002**

(51) **LOC (7) Cl.** **14-01**

(52) **U.S. Cl.** **D14/136; D14/168**

(58) **Field of Search** **D14/135-136,**
D14/156-157, 167-168, 188, 193-198,
257-258; 369/75.1, 75.2, 77.1, 77.2; 455/344,
347, 350-351

(56) **References Cited**

U.S. PATENT DOCUMENTS

D257,840 S	*	1/1981	Kotsuka et al.	D14/135
D266,663 S	*	10/1982	Matsumoto et al.	D14/135
D327,678 S	*	7/1992	Dennis	D14/135
D429,233 S		8/2000	Komiyama		

* cited by examiner

Primary Examiner—Nanda Bondade

(74) *Attorney, Agent, or Firm*—Rader, Fishman & Grauer PLLC

(57) **CLAIM**

The ornamental design for combined disc player and recorder, as shown and described.

DESCRIPTION

FIG. 1 is a perspective view of combined disc player and recorder showing my new design;

FIG. 2 is a front elevational view thereof;

FIG. 3 is a rear elevational view thereof;

FIG. 4 is a left side elevational view thereof;

FIG. 5 is a right side elevational view thereof;

FIG. 6 is a top plan view thereof; and

FIG. 7 is a bottom plan view thereof.

FIG. 8 is a second embodiment perspective view of combined disc player and recorder showing my new design;

FIG. 9 is a front elevational view thereof;

FIG. 10 is a rear elevational view thereof;

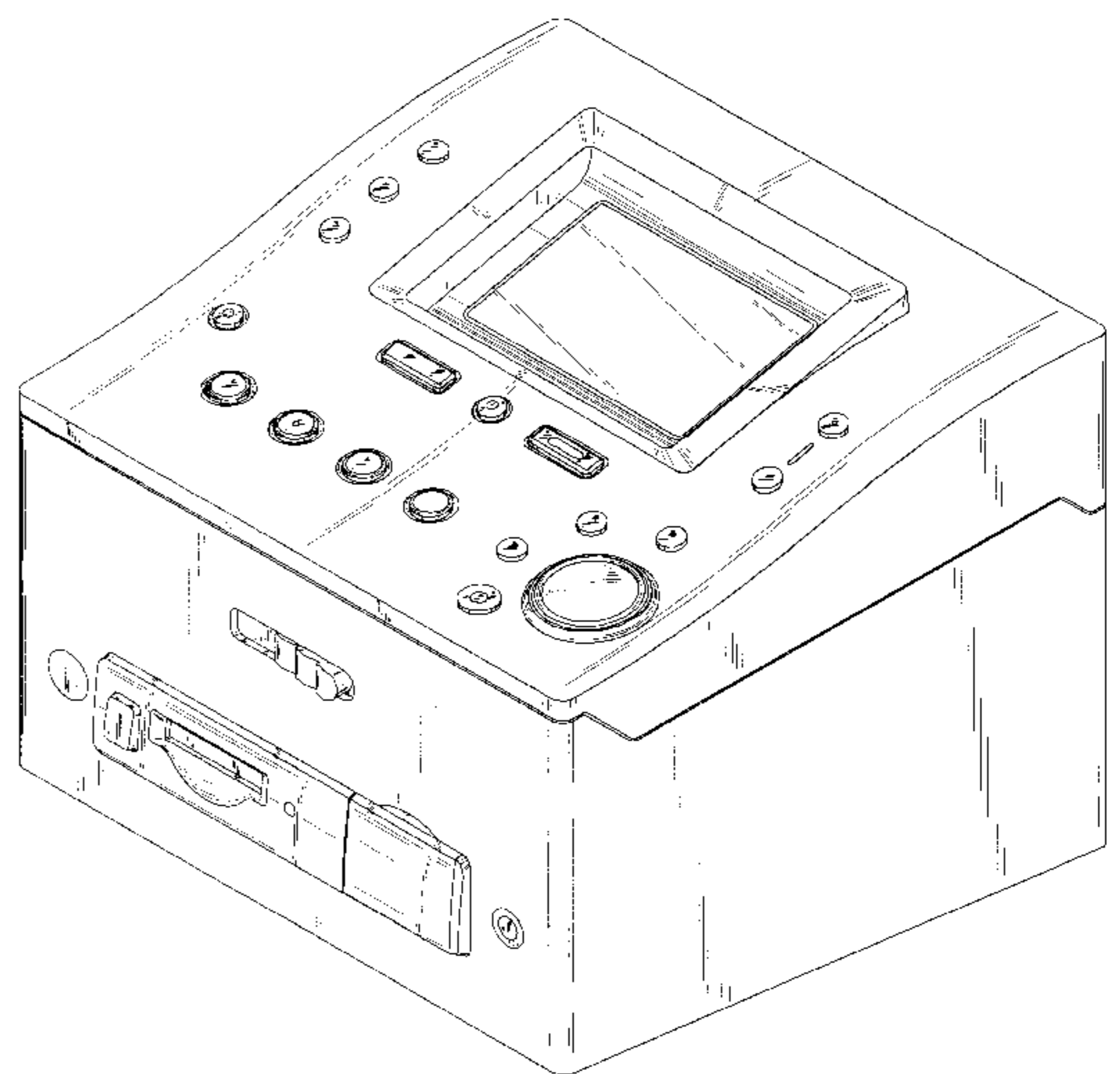
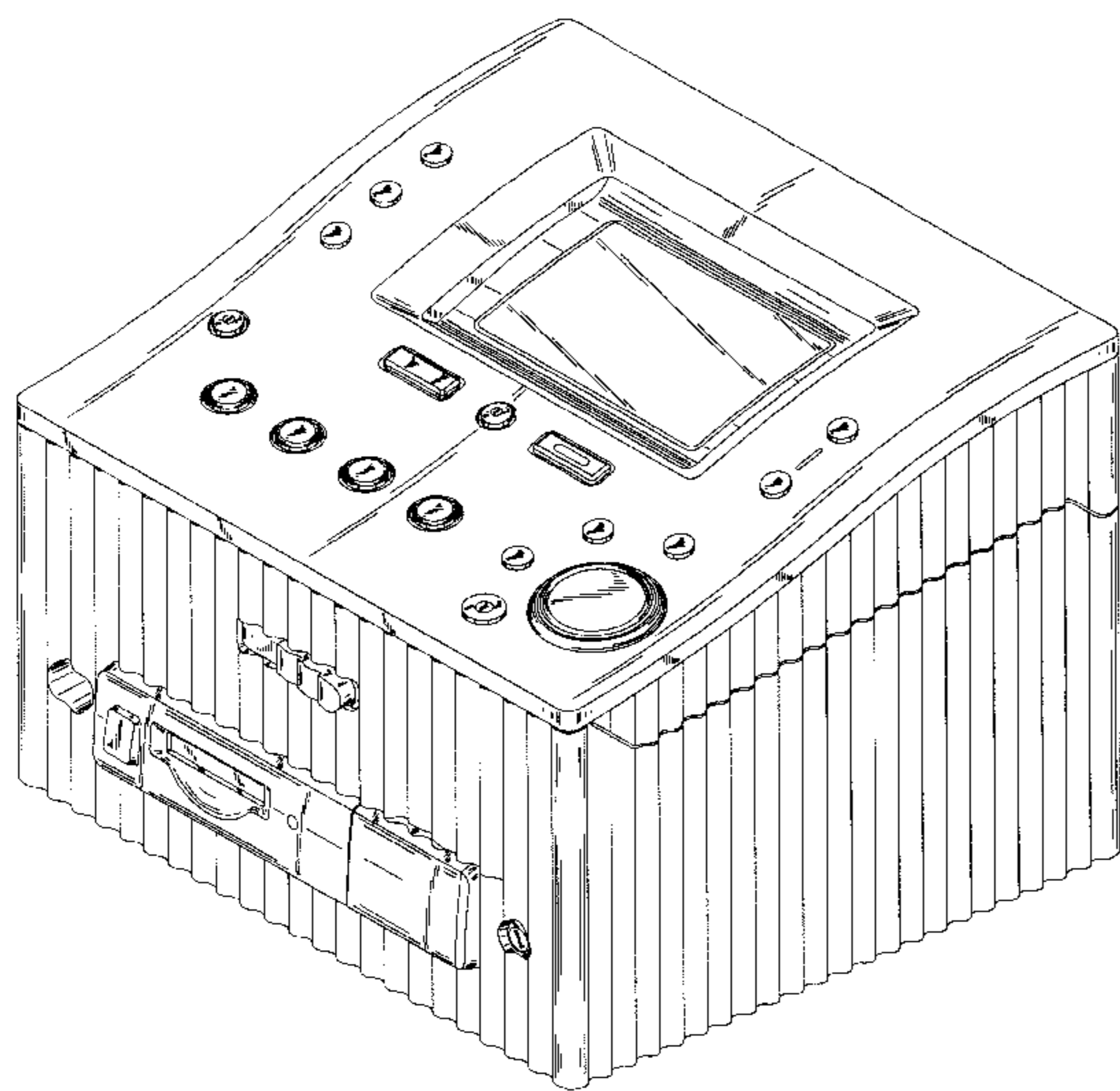
FIG. 11 is a left side elevational view thereof;

FIG. 12 is a right side elevational view thereof;

FIG. 13 is a top plan view thereof; and,

FIG. 14 is a bottom plan view thereof.

1 Claim, 14 Drawing Sheets



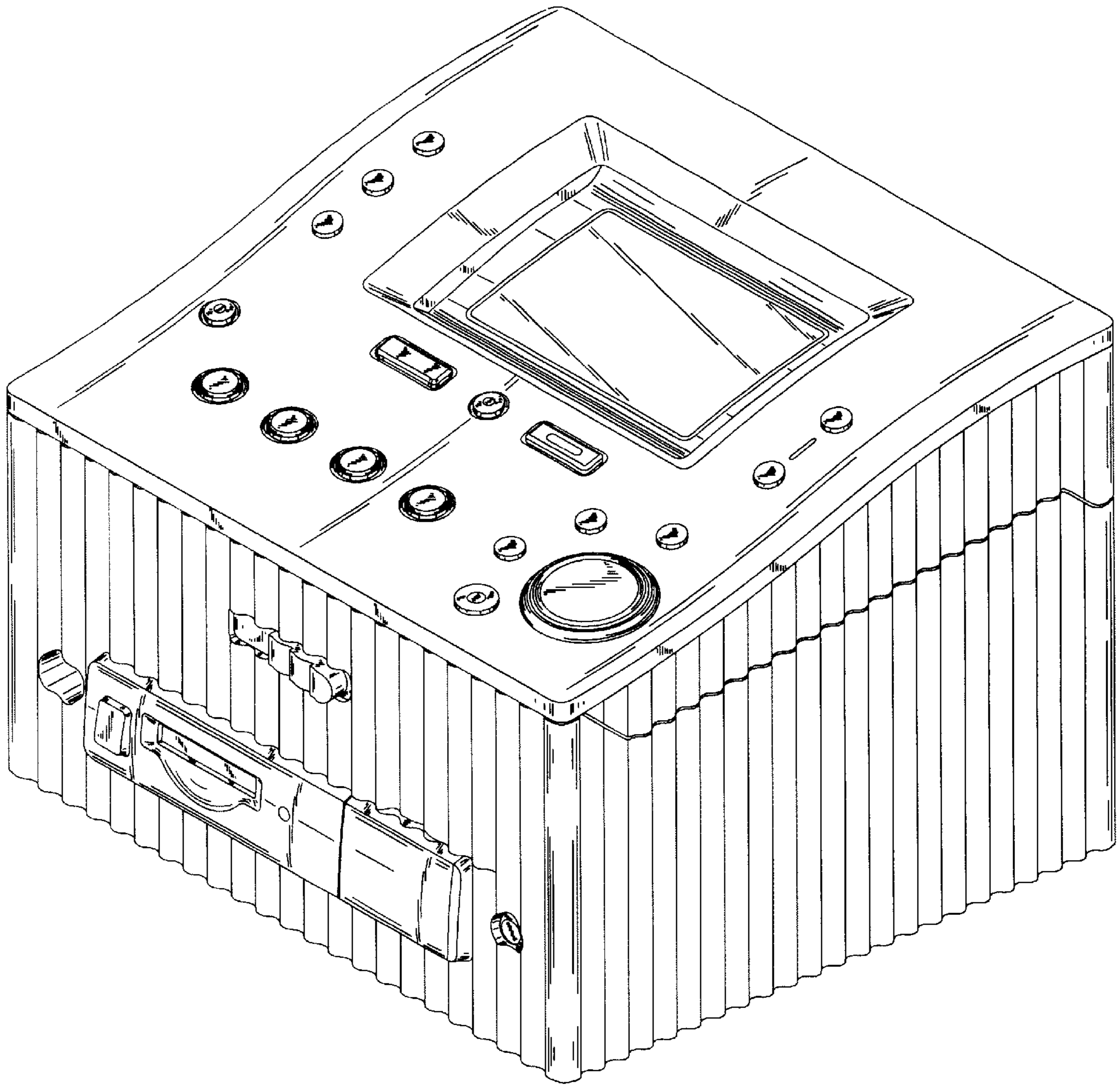


Fig. 1

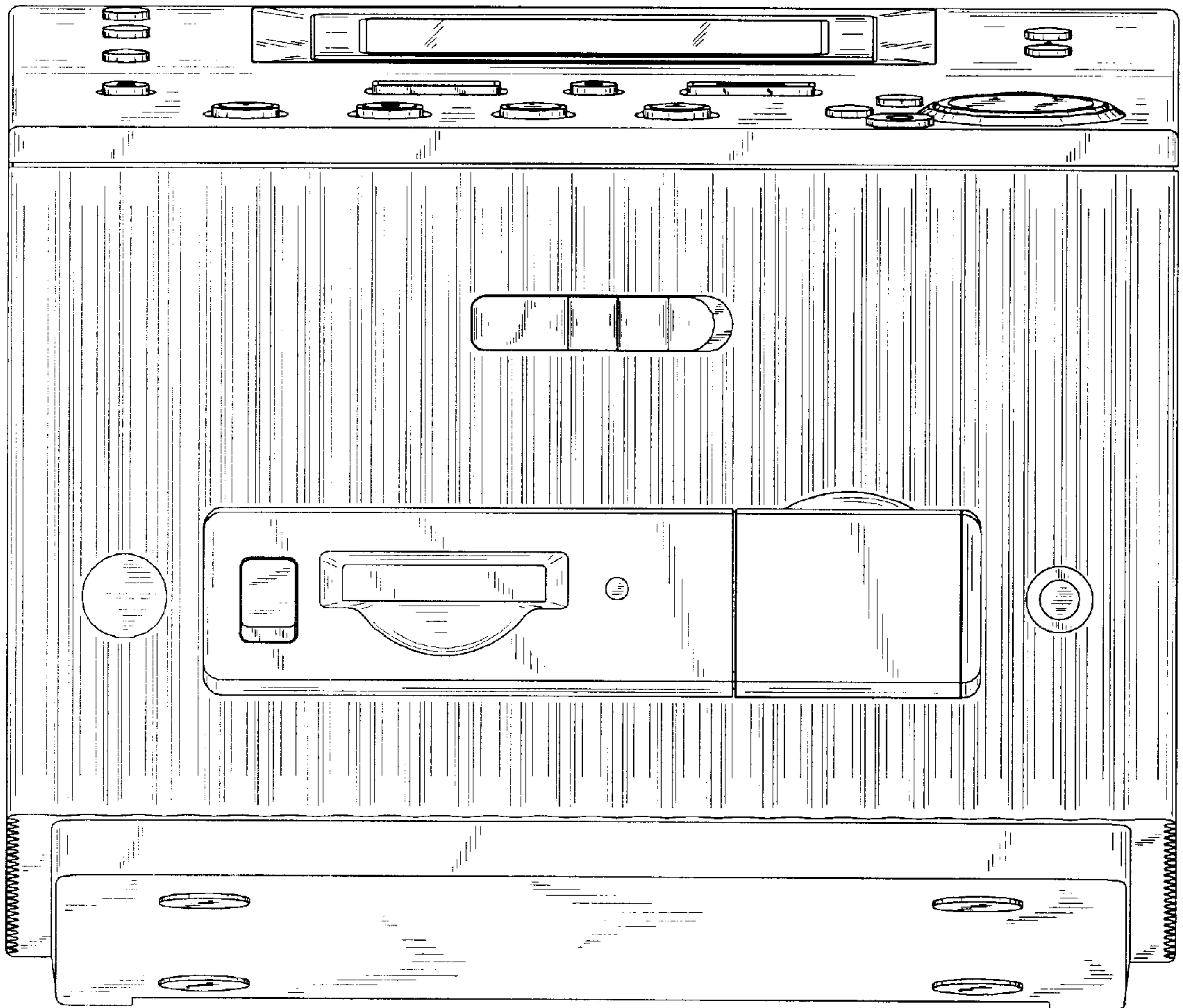


Fig. 2

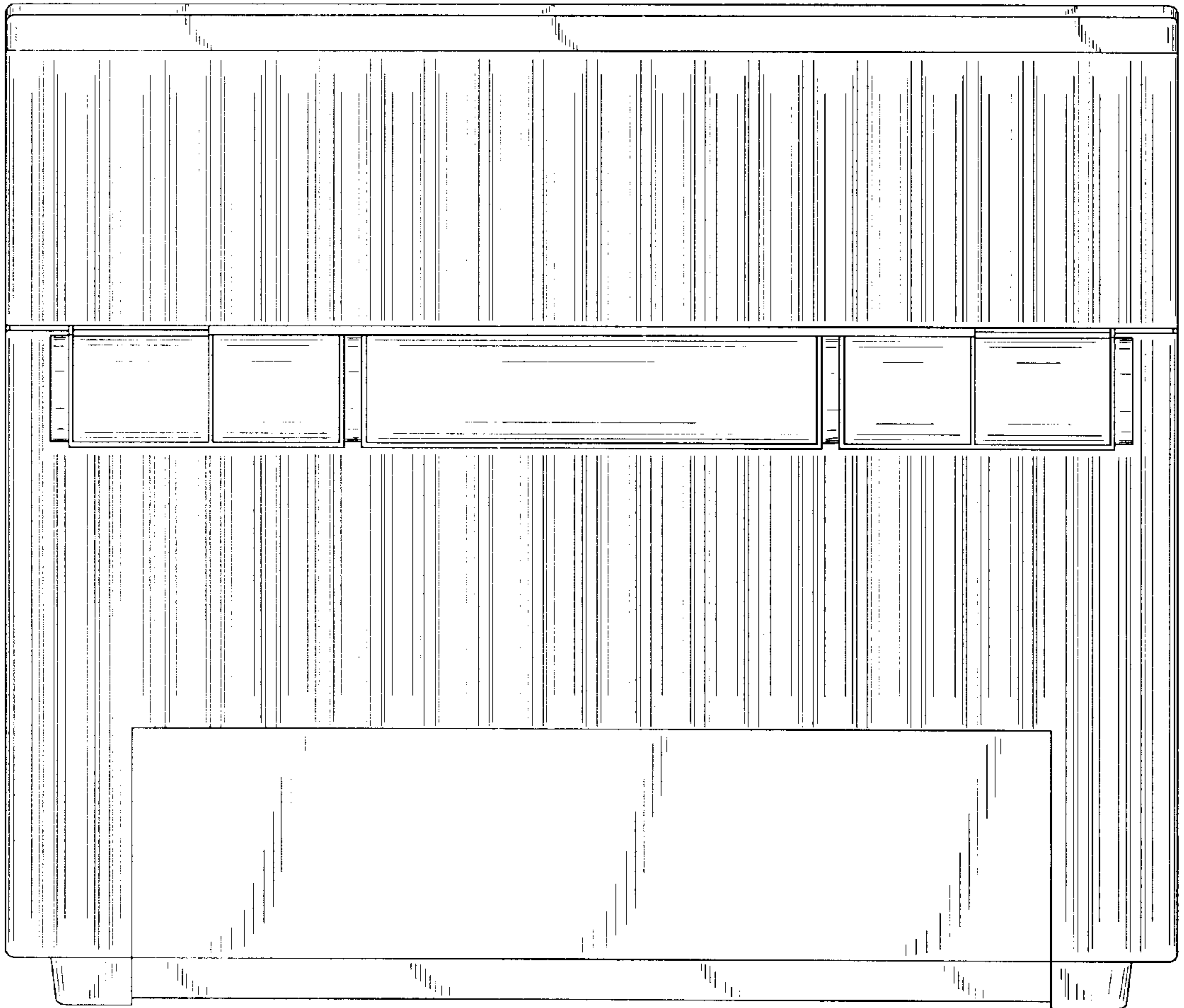


Fig. 3

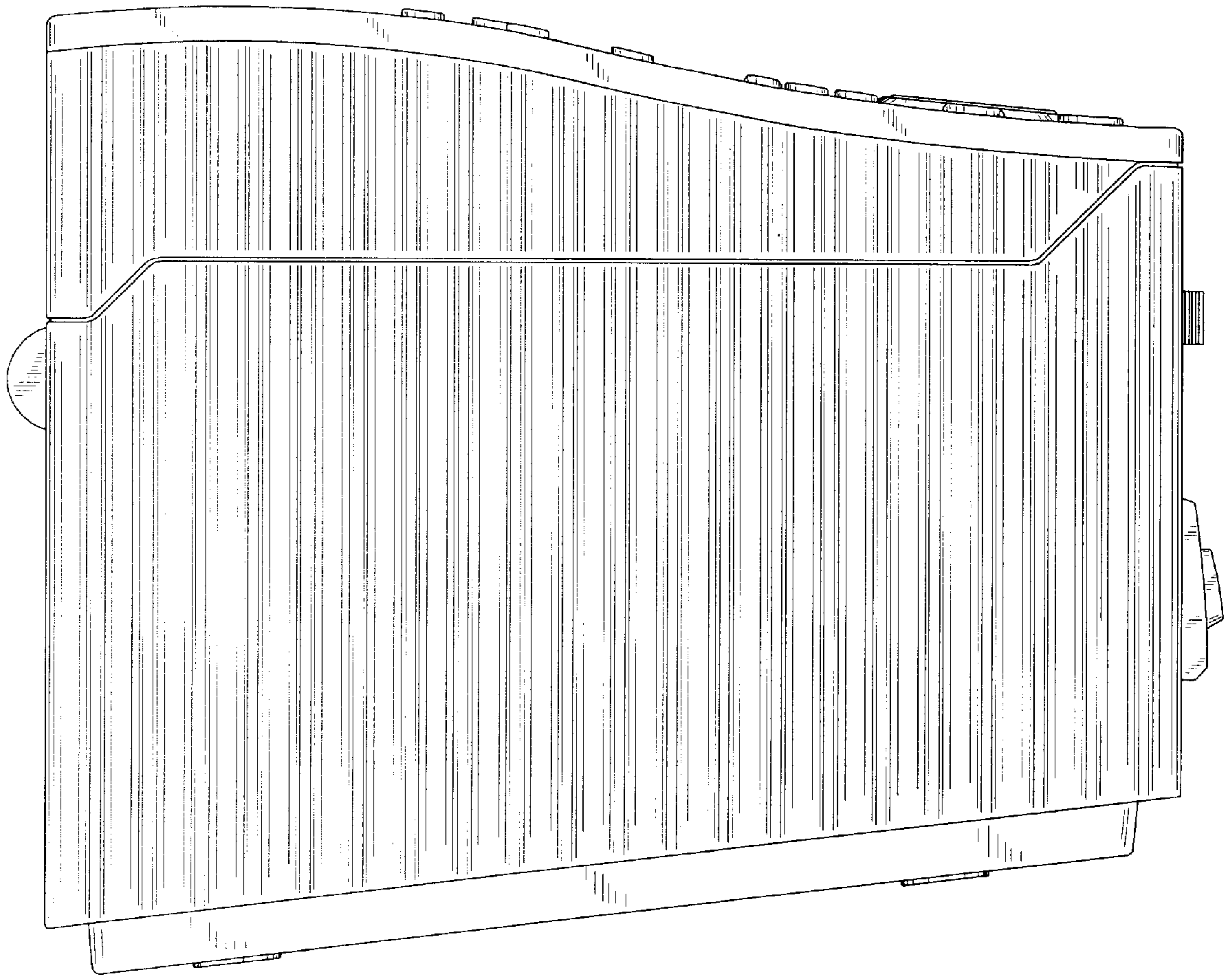


Fig. 4

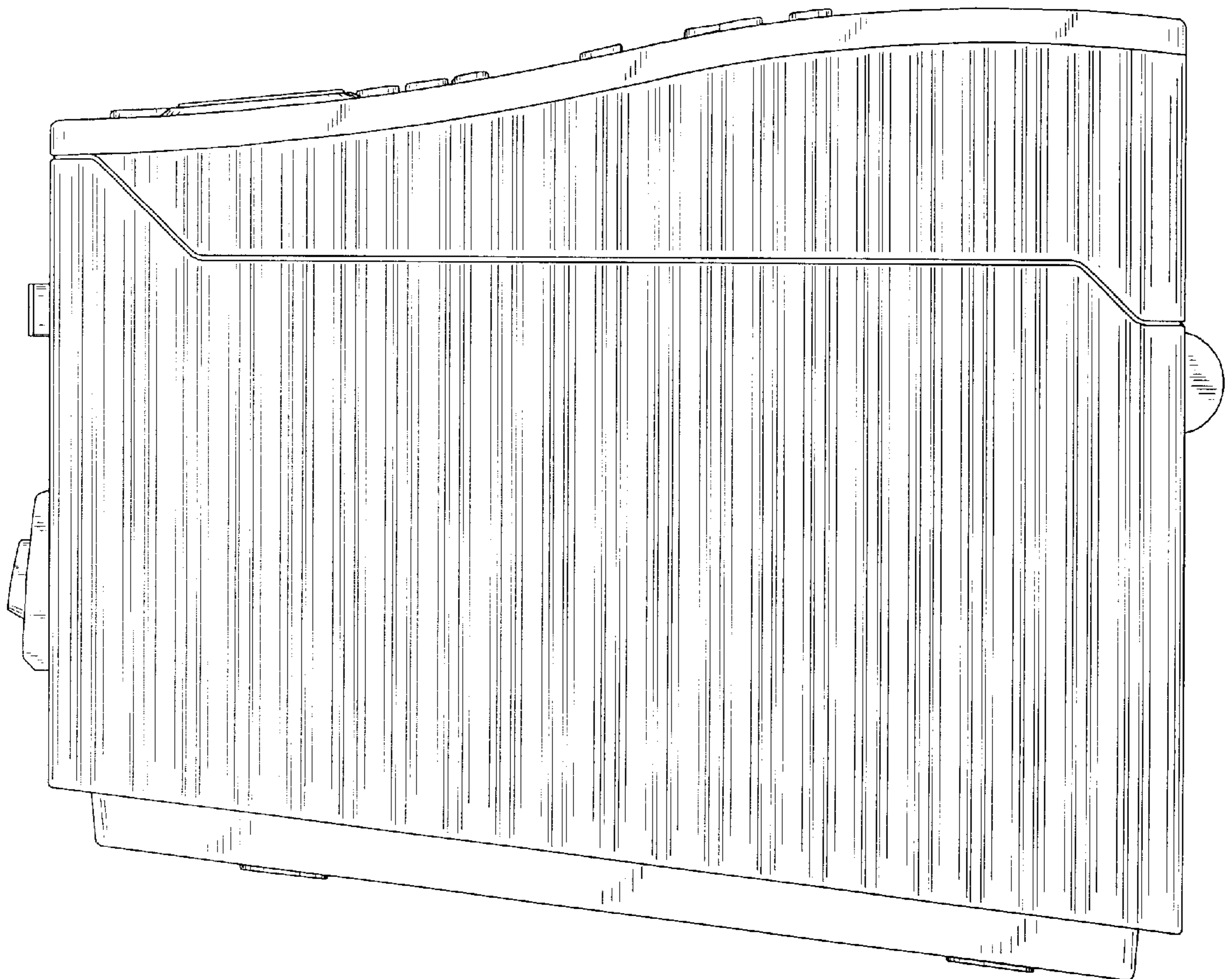


Fig. 5

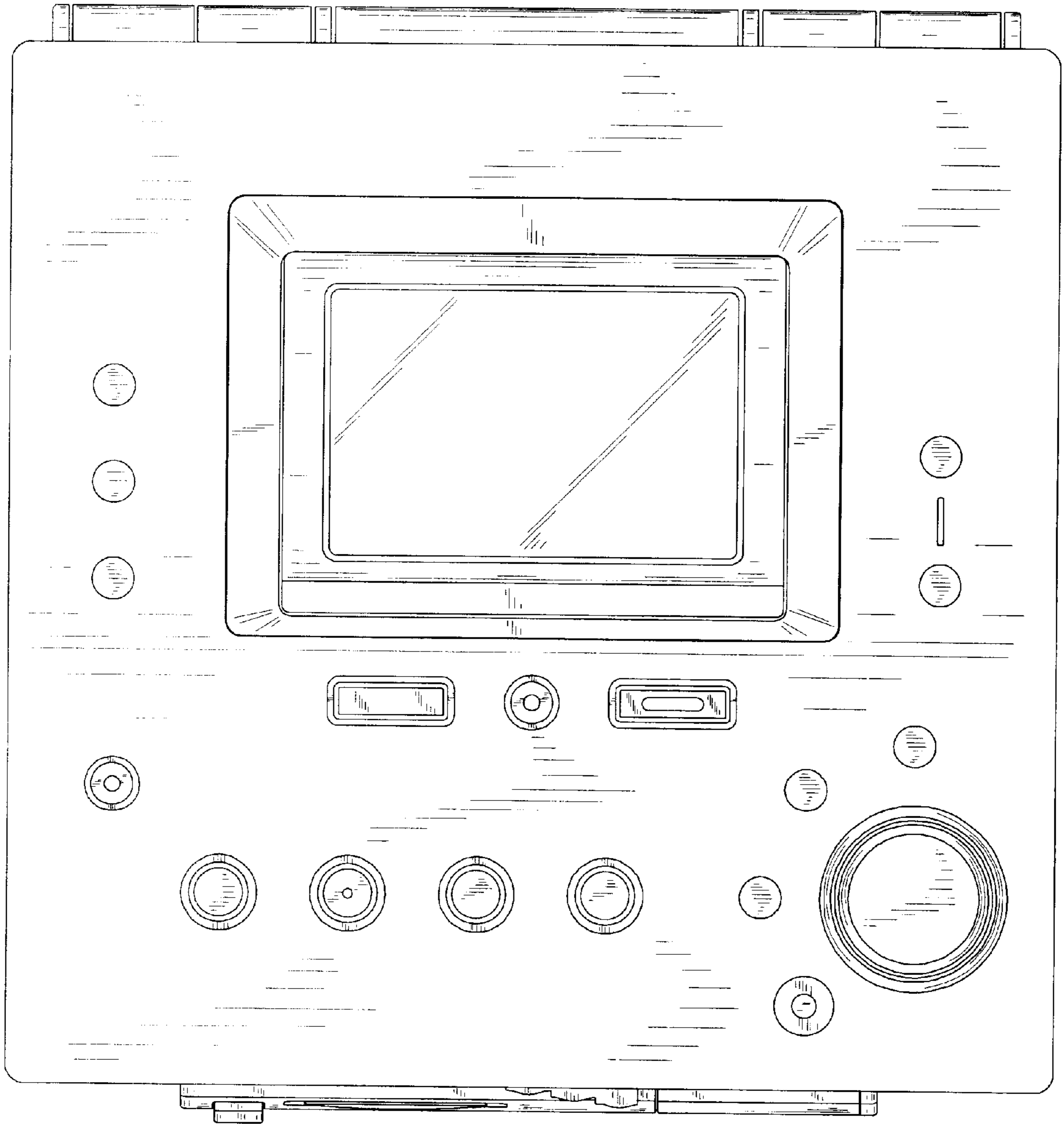


Fig. 6

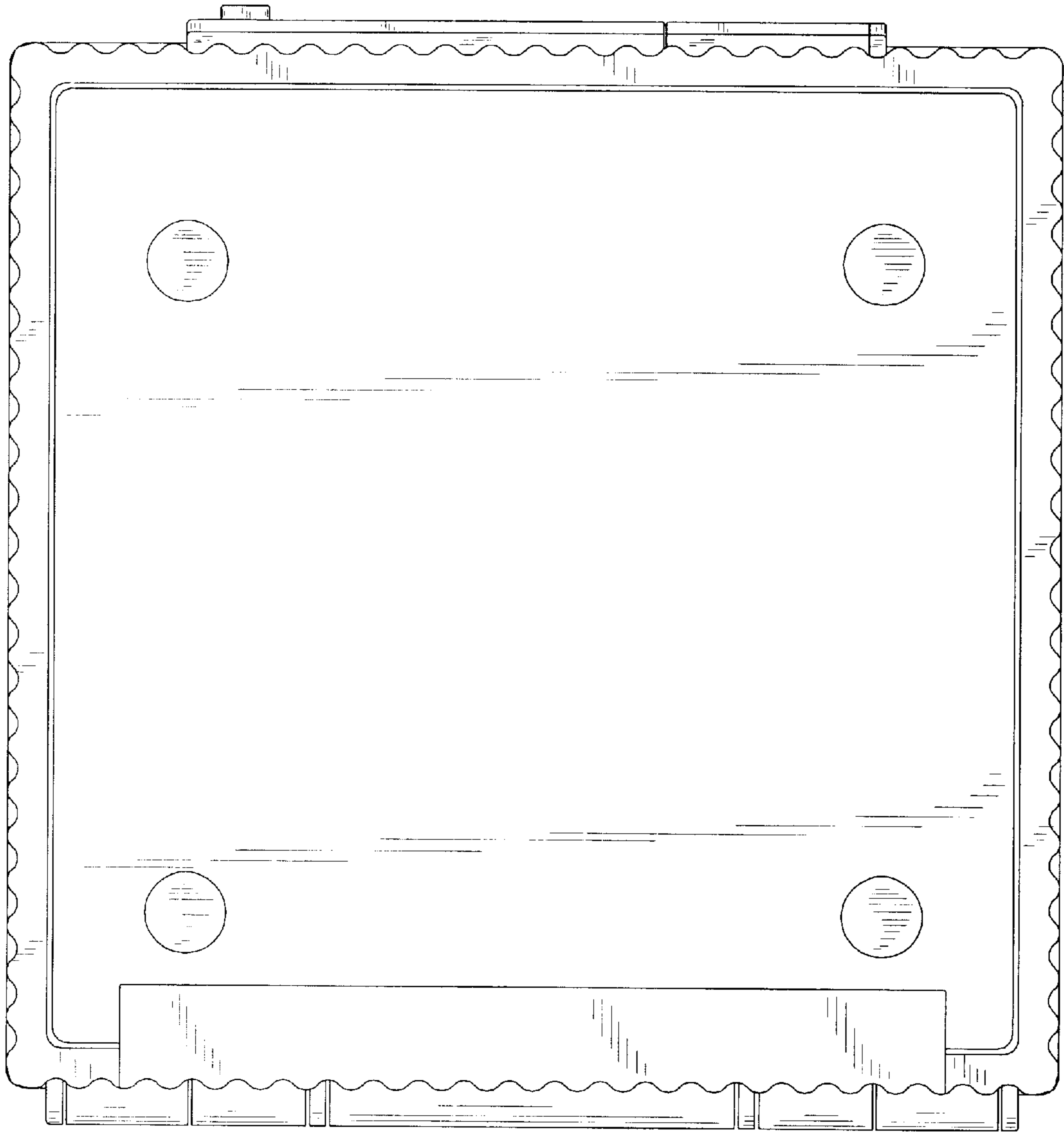


Fig. 7

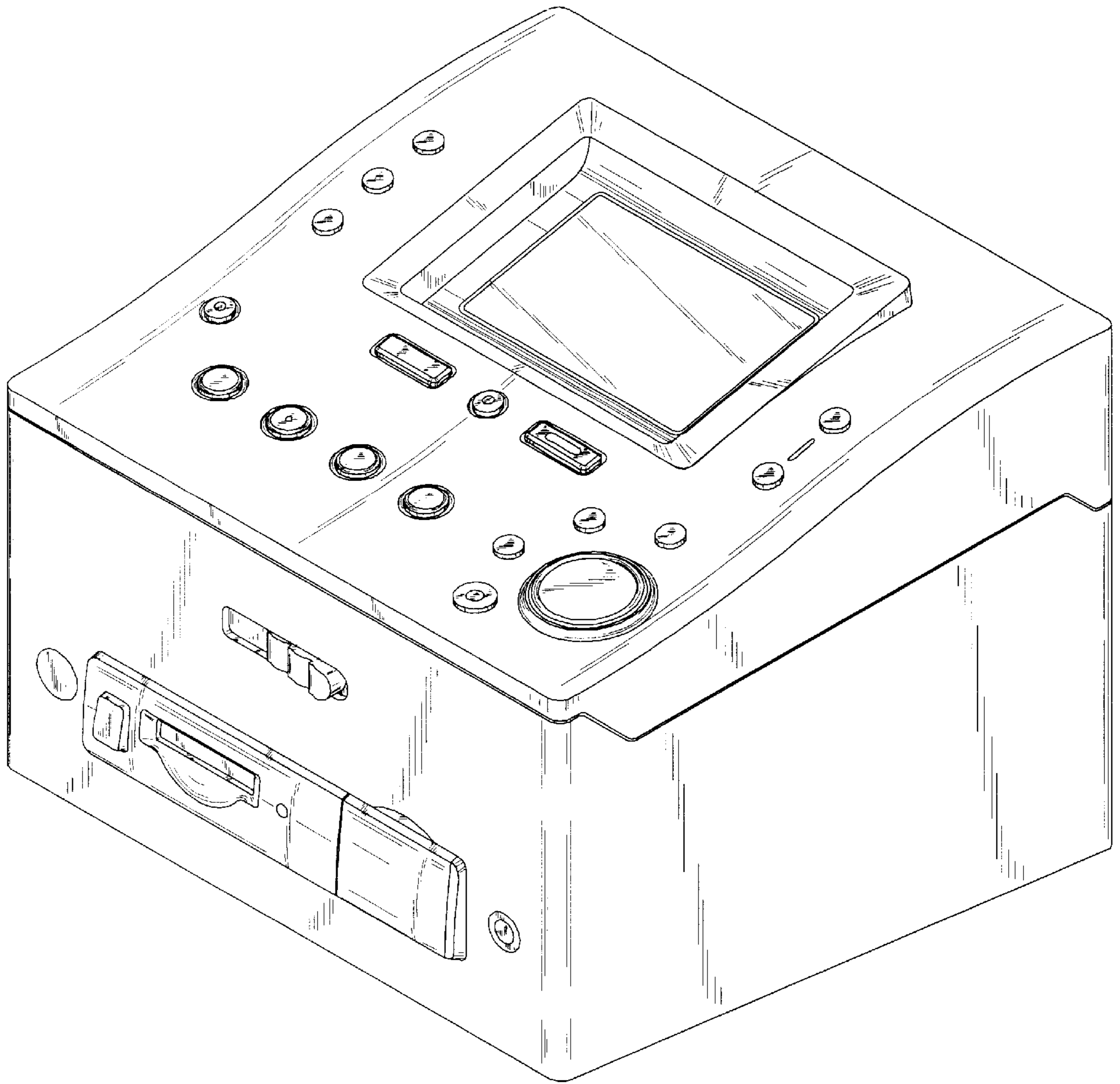


Fig. 8

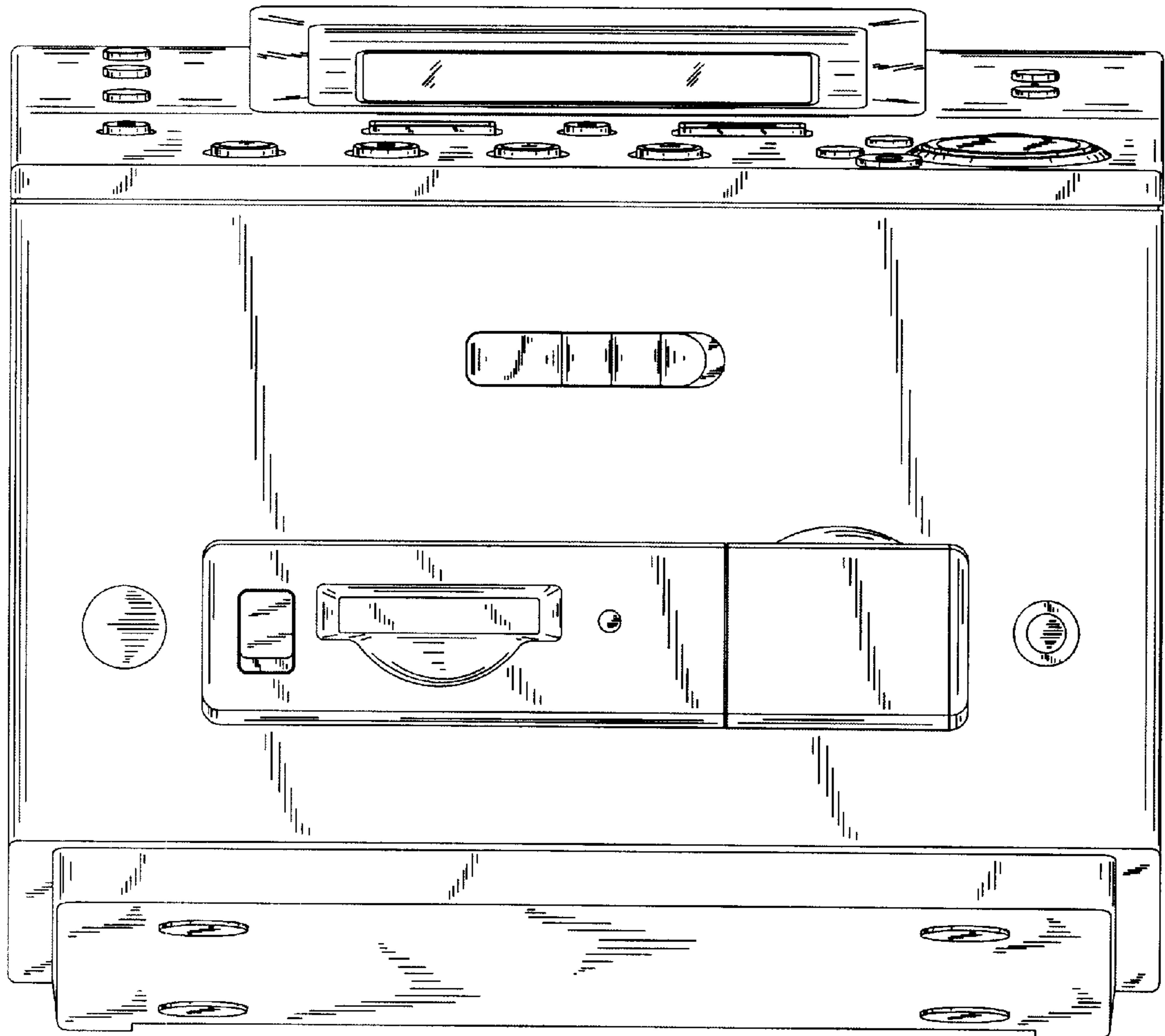


Fig. 9

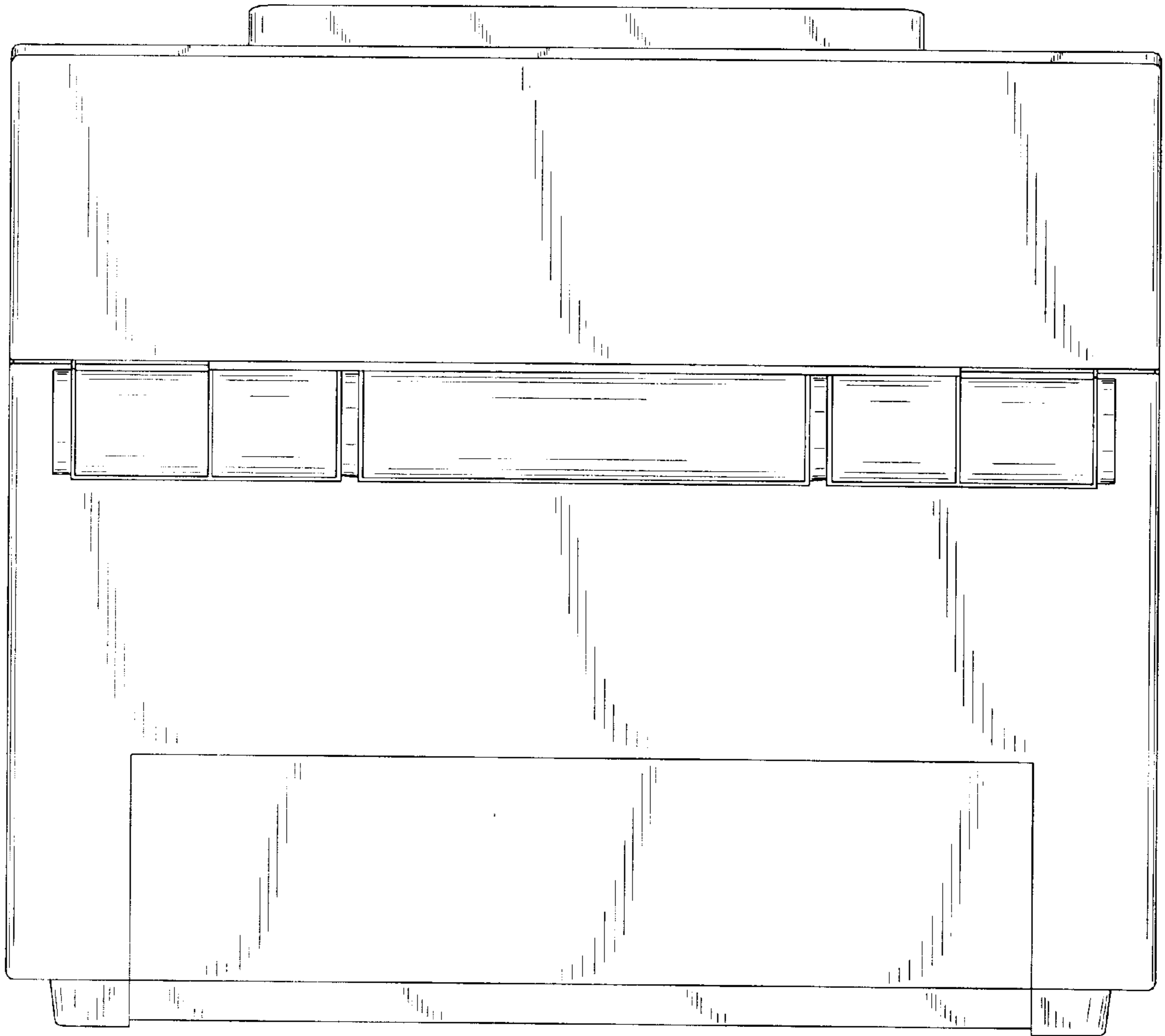


Fig. 10

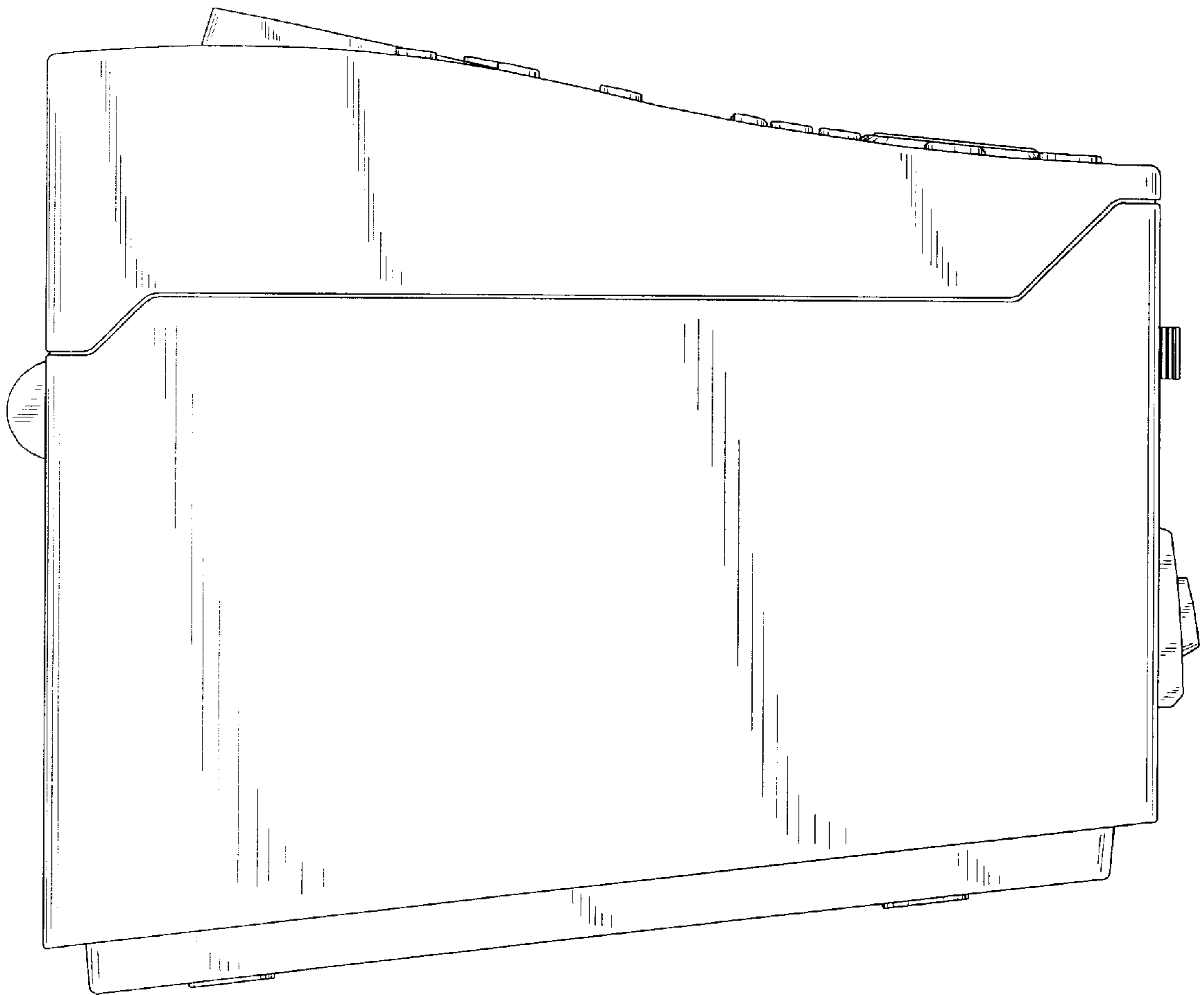


Fig. 11

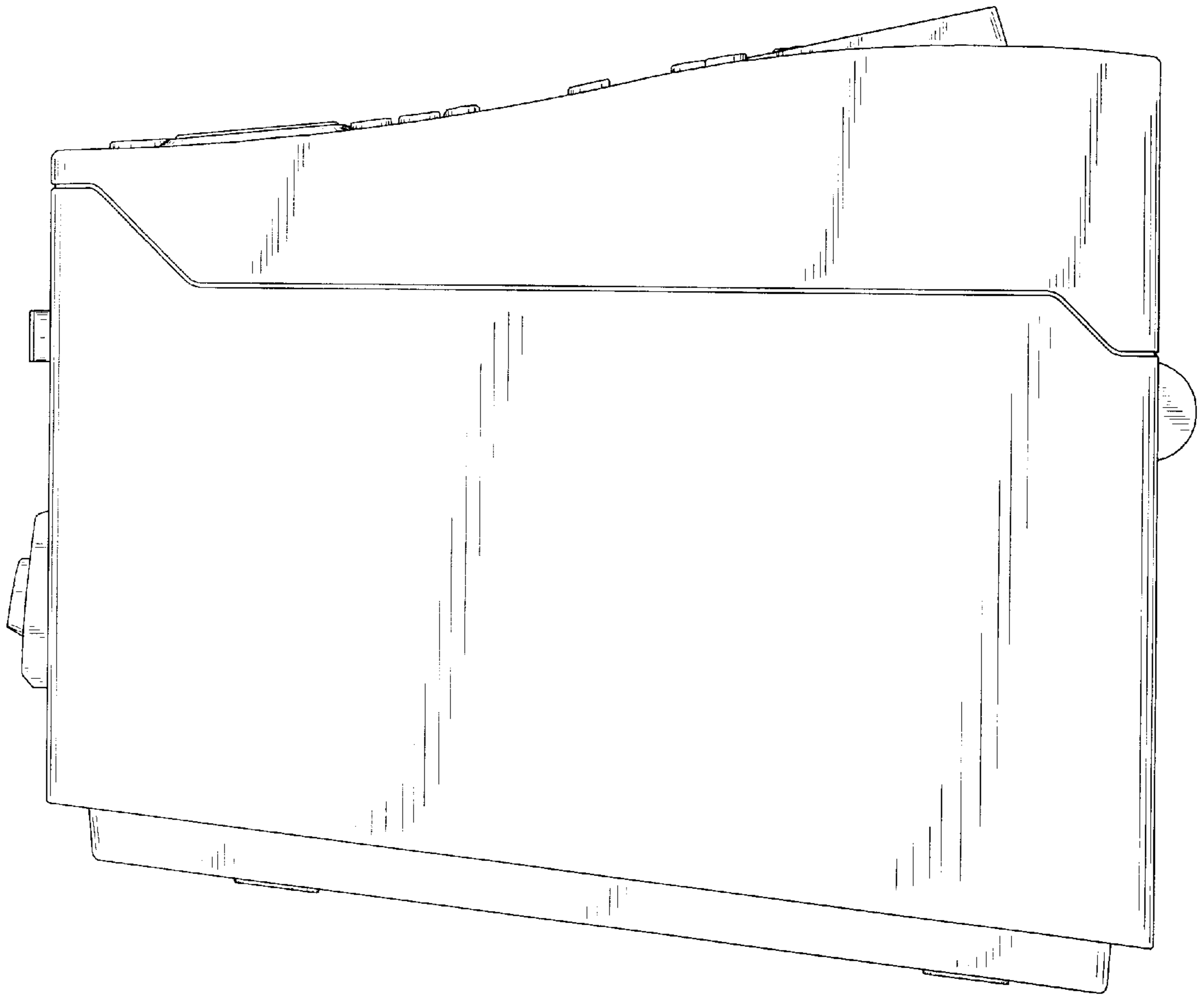


Fig. 12

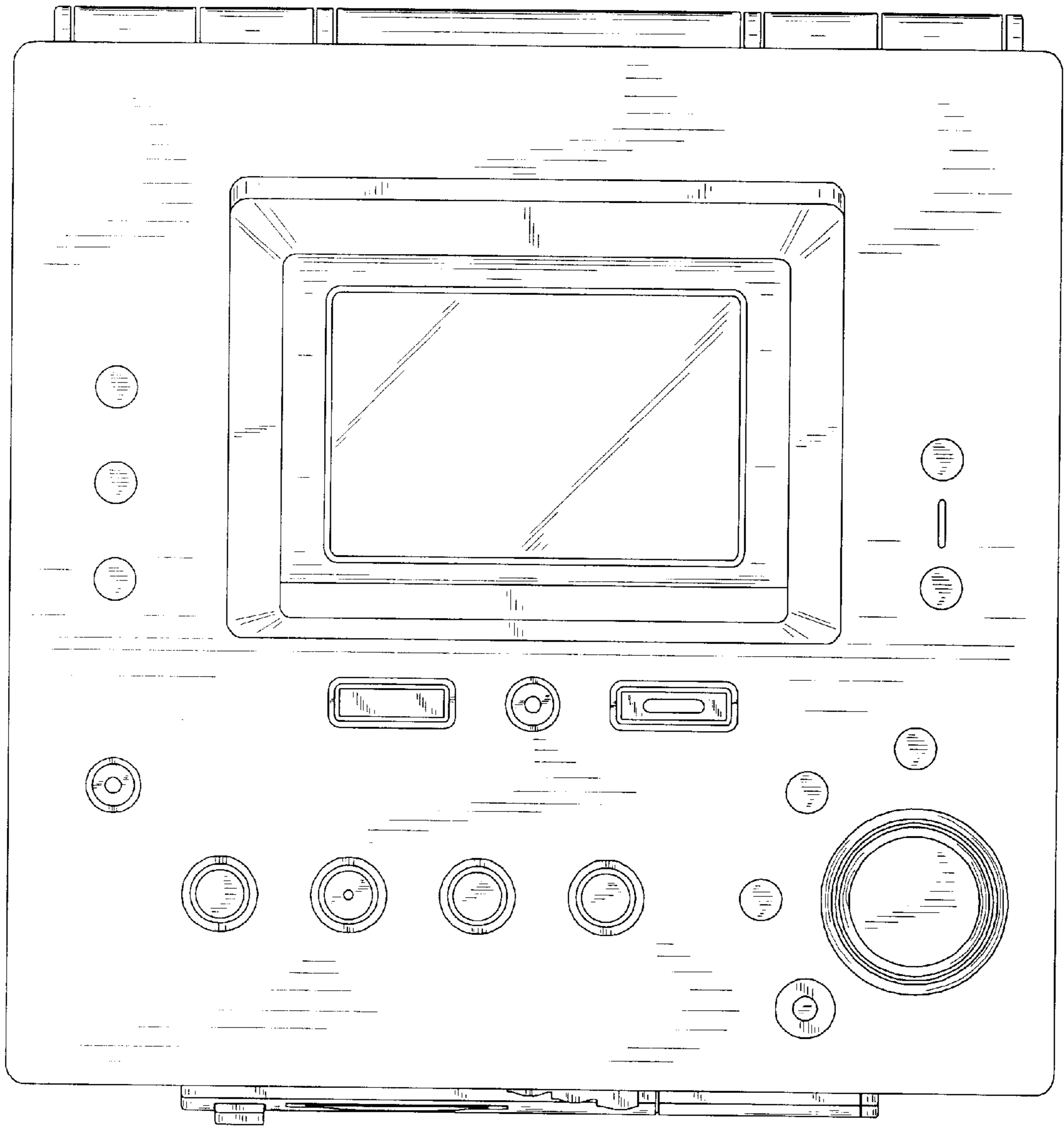


Fig. 13

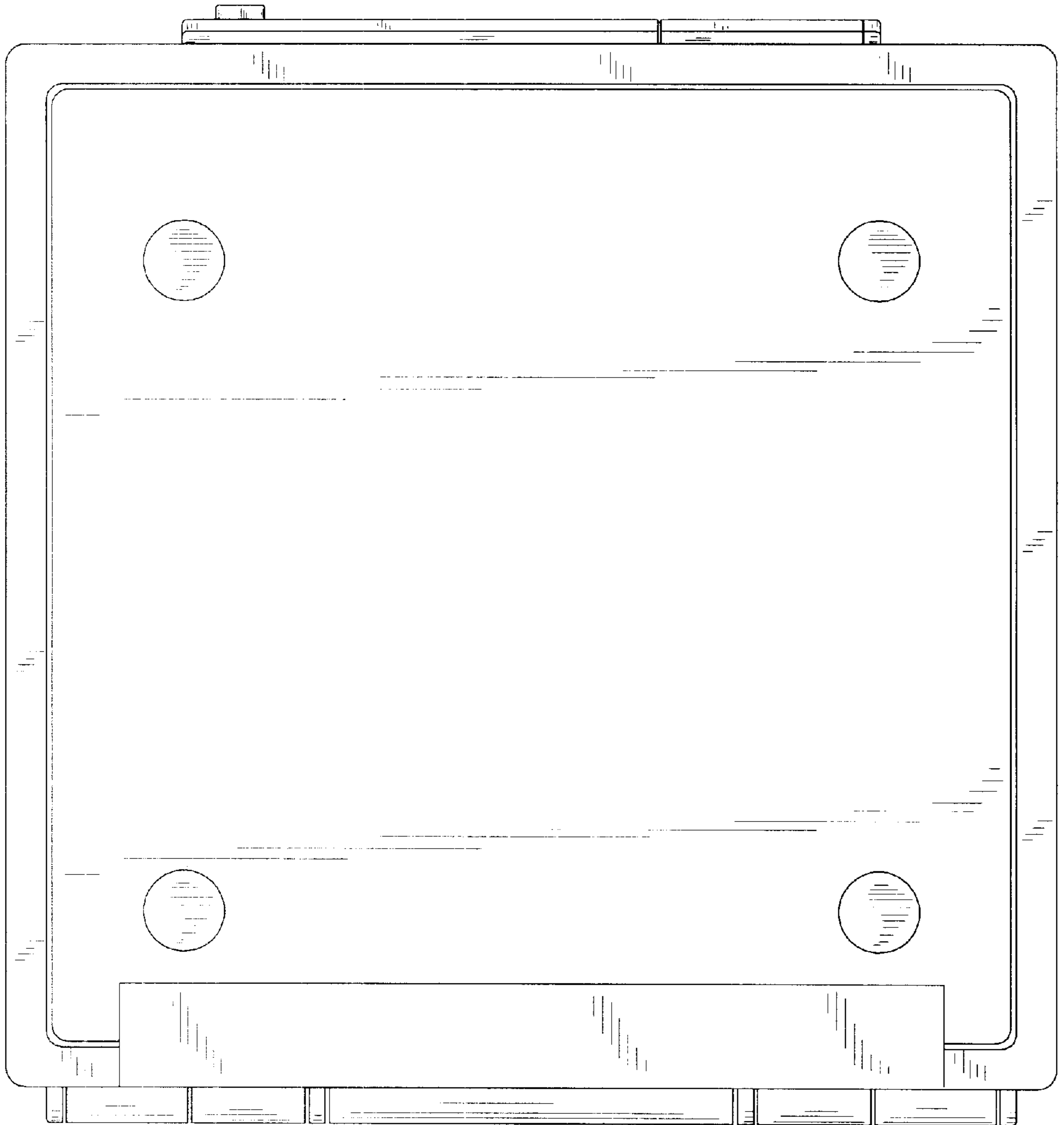


Fig. 14