



US00D467559S

(12) **United States Design Patent**
Lee

(10) **Patent No.:** **US D467,559 S**

(45) **Date of Patent:** **** Dec. 24, 2002**

(54) **RADIATOR FOR HEAT GENERATING COMPONENTS IN ELECTRONIC EQUIPMENT**

(75) Inventor: **Sang-cheol Lee, Kunpo (KR)**

(73) Assignee: **Zalman Tech Co., Ltd., Kyungki-do (KR)**

(**) Term: **14 Years**

(21) Appl. No.: **29/146,795**

(22) Filed: **Aug. 17, 2001**

(30) **Foreign Application Priority Data**

Feb. 23, 2001 (KR) 2001-4295

(51) **LOC (7) Cl.** **13-03**

(52) **U.S. Cl.** **D13/179**

(58) **Field of Search** D13/179; 165/80.3, 165/180, 185; 174/16.3; 257/706, 707, 718, 719, 720, 721, 722, 686; 361/271, 274.3, 697, 702, 704, 709, 710, 711

(56) **References Cited**

U.S. PATENT DOCUMENTS

5,574,626	A	*	11/1996	Smith	361/204
5,583,316	A	*	12/1996	Kitahara et al.	174/16.3
D400,188	S	*	10/1998	Chu	D13/179
D426,195	S	*	6/2000	Kuo	D13/179
D426,814	S	*	6/2000	Lee	D13/179

* cited by examiner

Primary Examiner—Mitchell Siegel

Assistant Examiner—Selina Sikder

(74) *Attorney, Agent, or Firm*—Leydig, Voit & Mayer, Ltd.

(57) **CLAIM**

I claim the ornamental design for a radiator for heat generating components in electronic equipment, as shown and described.

DESCRIPTION

FIG. 1 is a perspective view of a radiator for heat generating components in electronic equipment according to the present invention.

FIG. 2 is a front view of a radiator for heat generating components in electronic equipment according to the present invention, the rear view being a mirror image thereof.

FIG. 3 is a right side view of a radiator for heat generating components in electronic equipment according to the present invention, the left side view being a mirror image thereof.

FIG. 4 is a top plan view of a radiator for heat generating components in electronic equipment according to the present invention.

FIG. 5 is a bottom plan view of a radiator for heat generating components in electronic equipment according to the present invention; and,

FIG. 6 is a perspective view for illustrating the use of the radiator.

The broken line showing of the environment is for illustrative purpose only and forms no part of the claimed design.

1 Claim, 4 Drawing Sheets

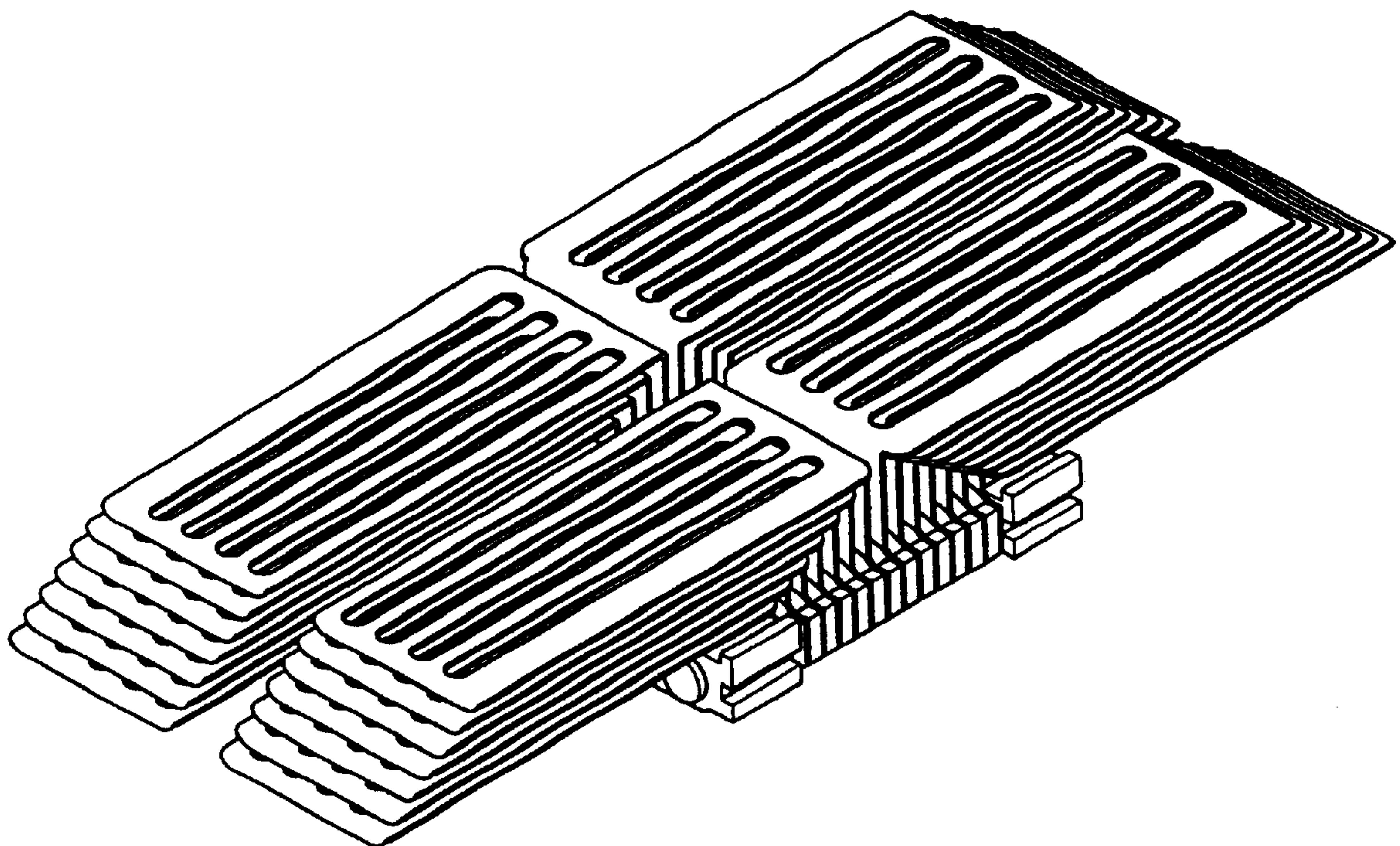


FIG. 1

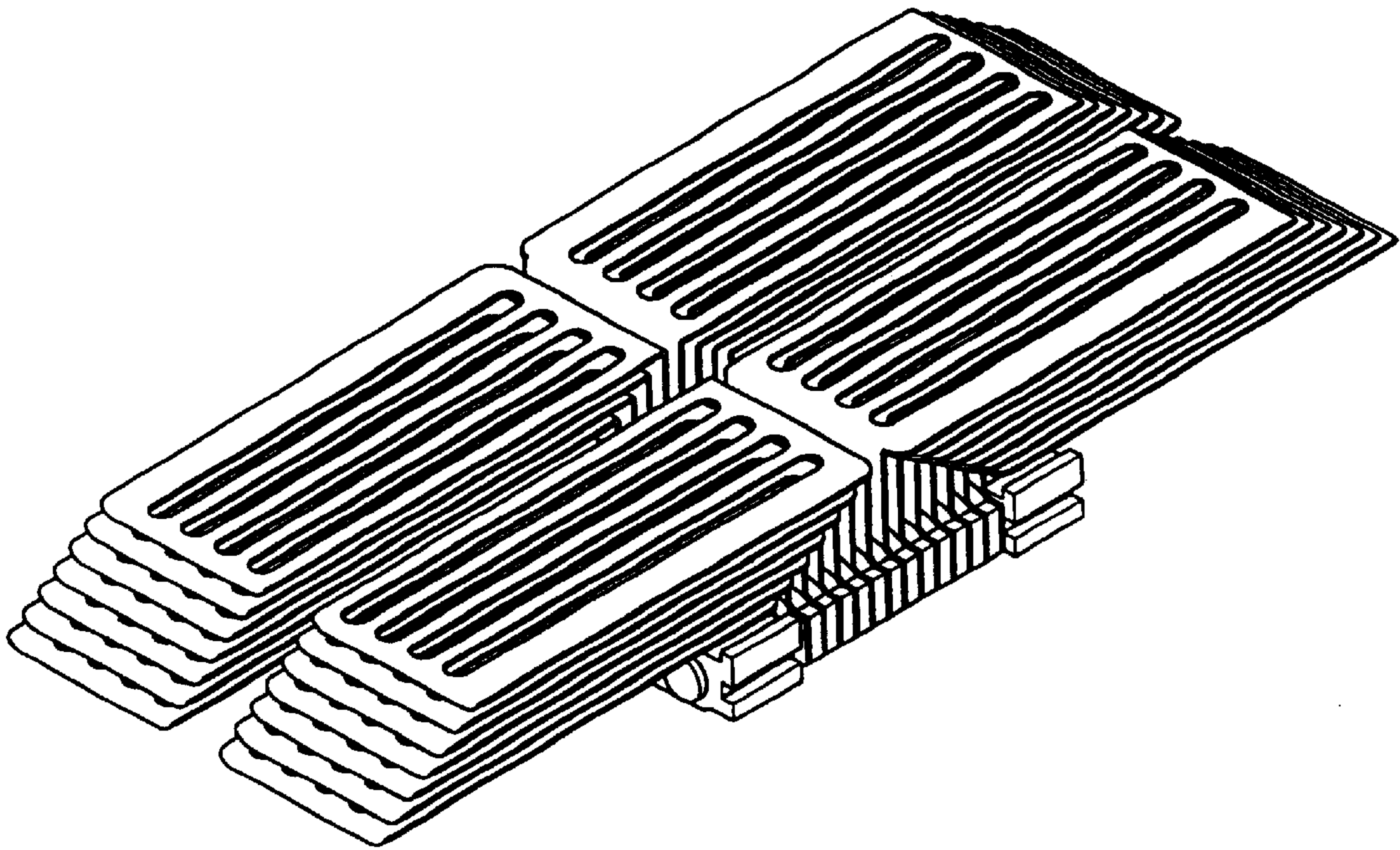


FIG. 2

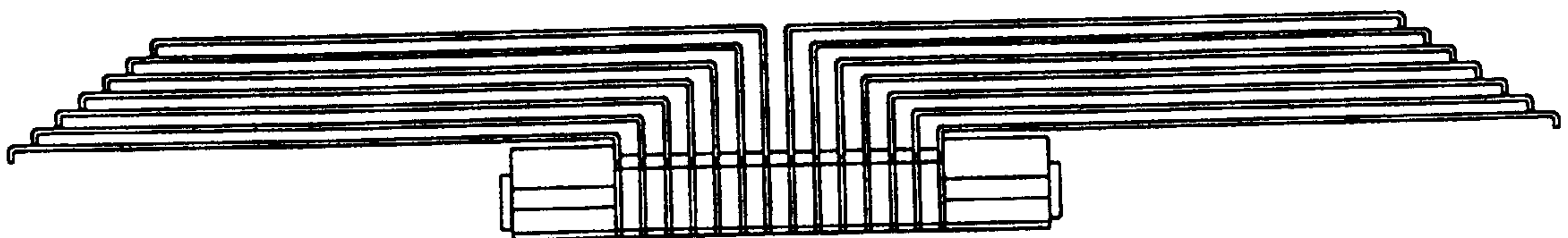


FIG. 3

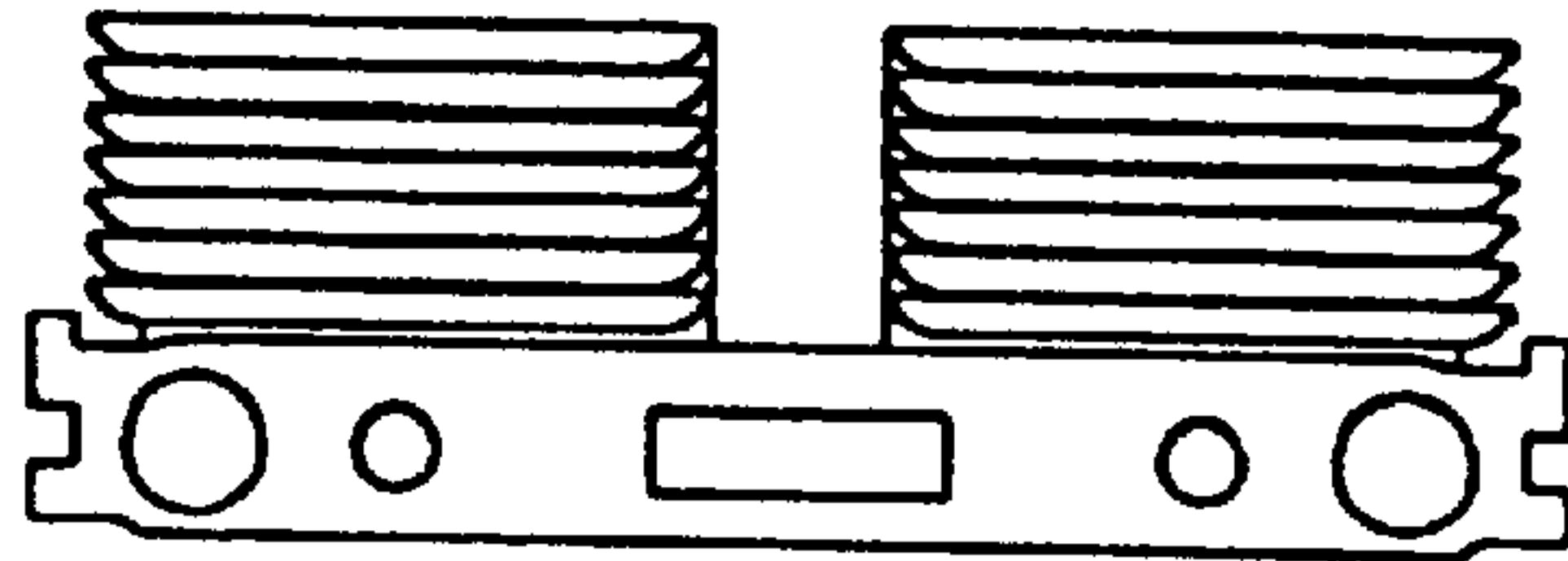


FIG. 4

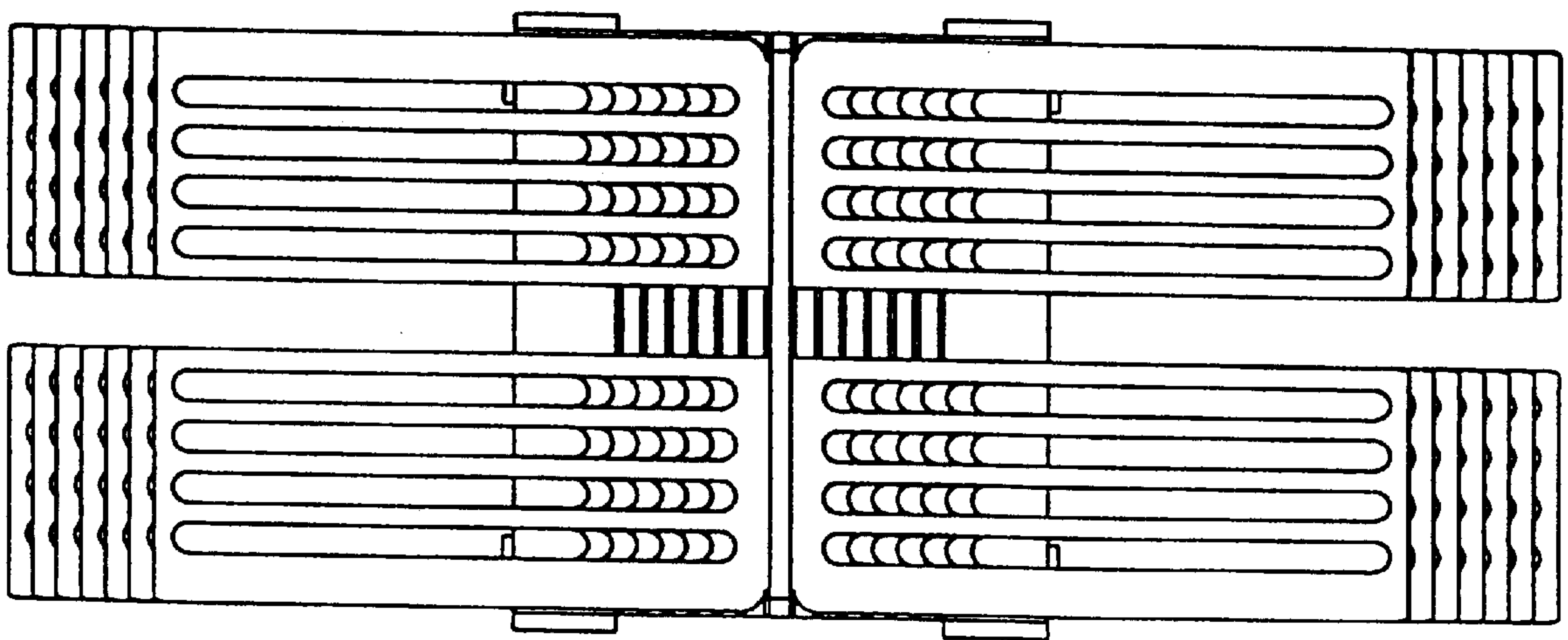


FIG. 5

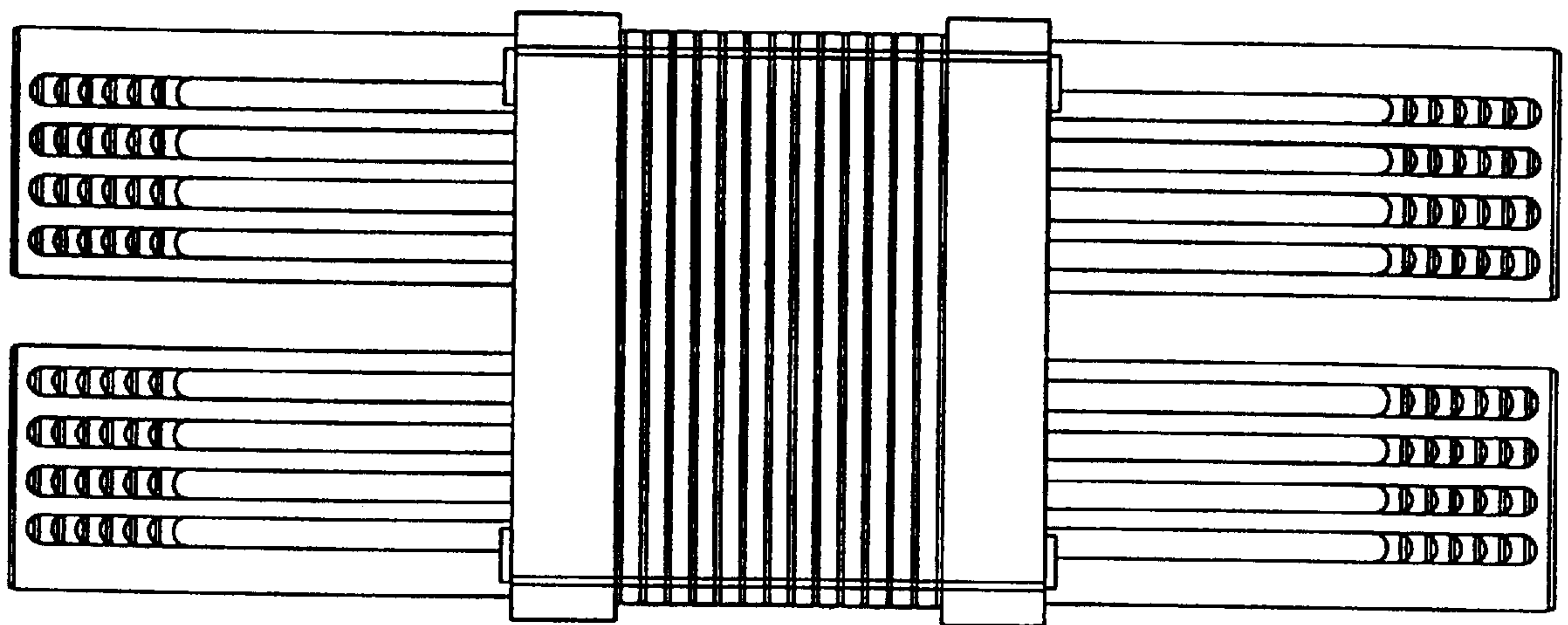


FIG. 6

