



US00D467553S

(12) **United States Design Patent**
Cheng

(10) **Patent No.:** **US D467,553 S**

(45) **Date of Patent:** **** Dec. 24, 2002**

(54) **DUPLEX CLIP FOR OPTICAL FIBER CONNECTOR**

(75) Inventor: **Yung Chang Cheng, Tu-Chen (TW)**

(73) Assignee: **Hon Hai Precision Ind. Co., Ltd., Taipei Hsien (TW)**

(**) Term: **14 Years**

(21) Appl. No.: **29/153,903**

(22) Filed: **Oct. 29, 2001**

(51) **LOC (7) Cl.** **13-03**

(52) **U.S. Cl.** **D13/154**

(58) **Field of Search** D13/152-156,
D13/138.1-138.2; 174/135, 152.6; 385/53,
76, 78, 88, 89, 136, 137; 439/374

(56) **References Cited**

U.S. PATENT DOCUMENTS

4,798,440 A *	1/1989	Hoffer et al.	385/89
D326,642 S *	6/1992	Lowe	D13/138.1
5,123,071 A *	6/1992	Mulholland et al.	385/53
5,293,581 A *	3/1994	DiMarco	385/76
5,343,547 A *	8/1994	Palecek et al.	385/76
5,398,295 A *	3/1995	Chang et al.	385/58
5,475,781 A *	12/1995	Chang et al.	385/76
5,647,043 A *	7/1997	Anderson et al.	385/78

5,719,977 A *	2/1998	Lampert et al.	385/60
5,748,821 A *	5/1998	Schempp et al.	385/76
D396,210 S *	7/1998	Shiga et al.	D13/123
D430,542 S *	9/2000	Hofertiza et al.	D13/154

* cited by examiner

Primary Examiner—Robert M. Spear

(74) *Attorney, Agent, or Firm*—Wei Te Chung

(57) **CLAIM**

The ornamental design for a duplex clip for optical fiber connector, as shown and described.

DESCRIPTION

FIG. 1 is a front, top and right side perspective view of a duplex clip for optical fiber connector showing my new design;

FIG. 2 is a front elevational view thereof;

FIG. 3 is a rear elevational view thereof;

FIG. 4 is a left side elevational view thereof;

FIG. 5 is a right side elevational view thereof;

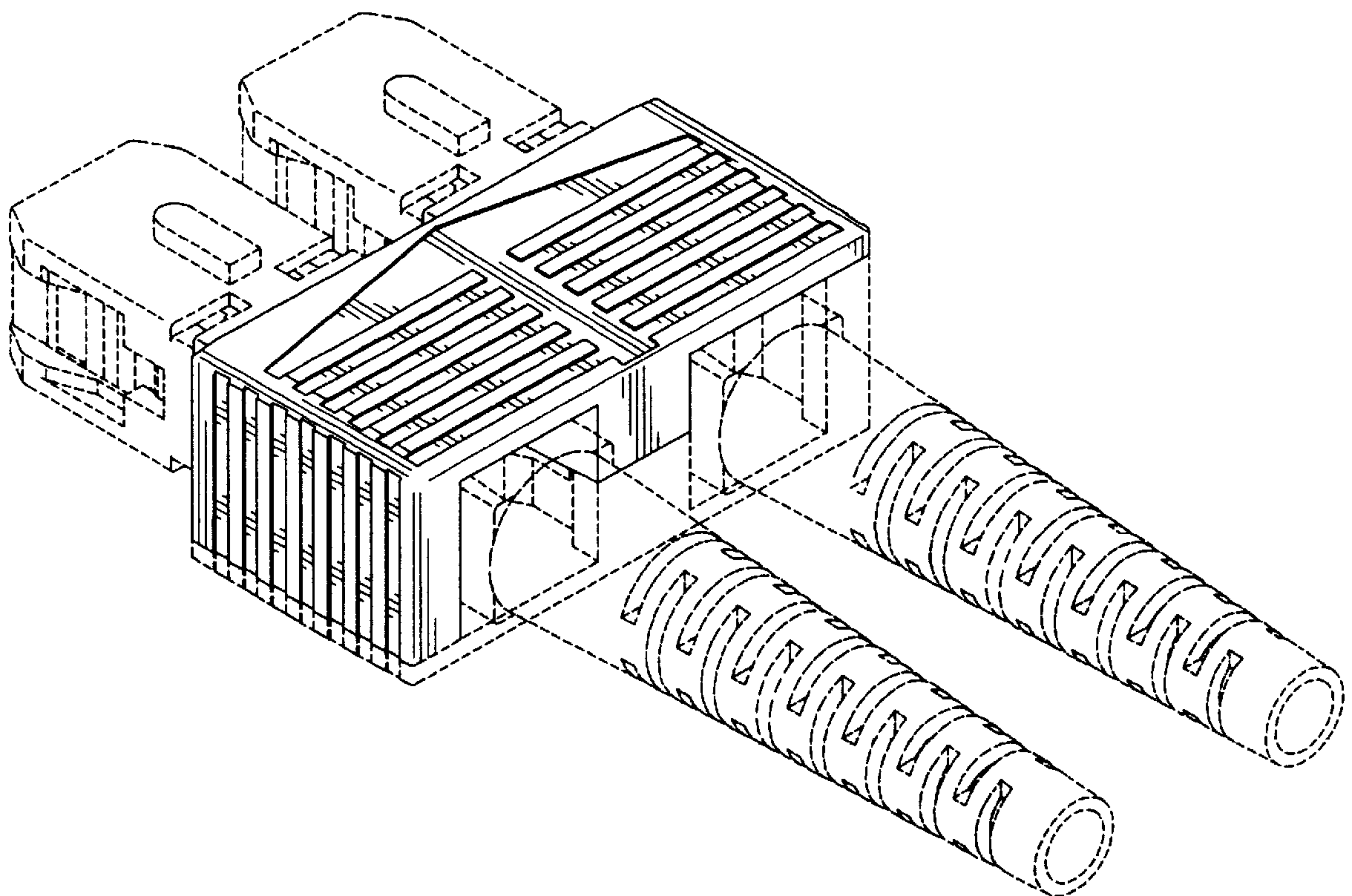
FIG. 6 is a top plan view thereof;

FIG. 7 is a bottom plan view thereof; and,

FIG. 8 is a perspective view of a duplex clip clipping two connectors.

The broken lines shown in FIG. 8 are for illustrative purposes only and form no part of the claimed design.

1 Claim, 6 Drawing Sheets



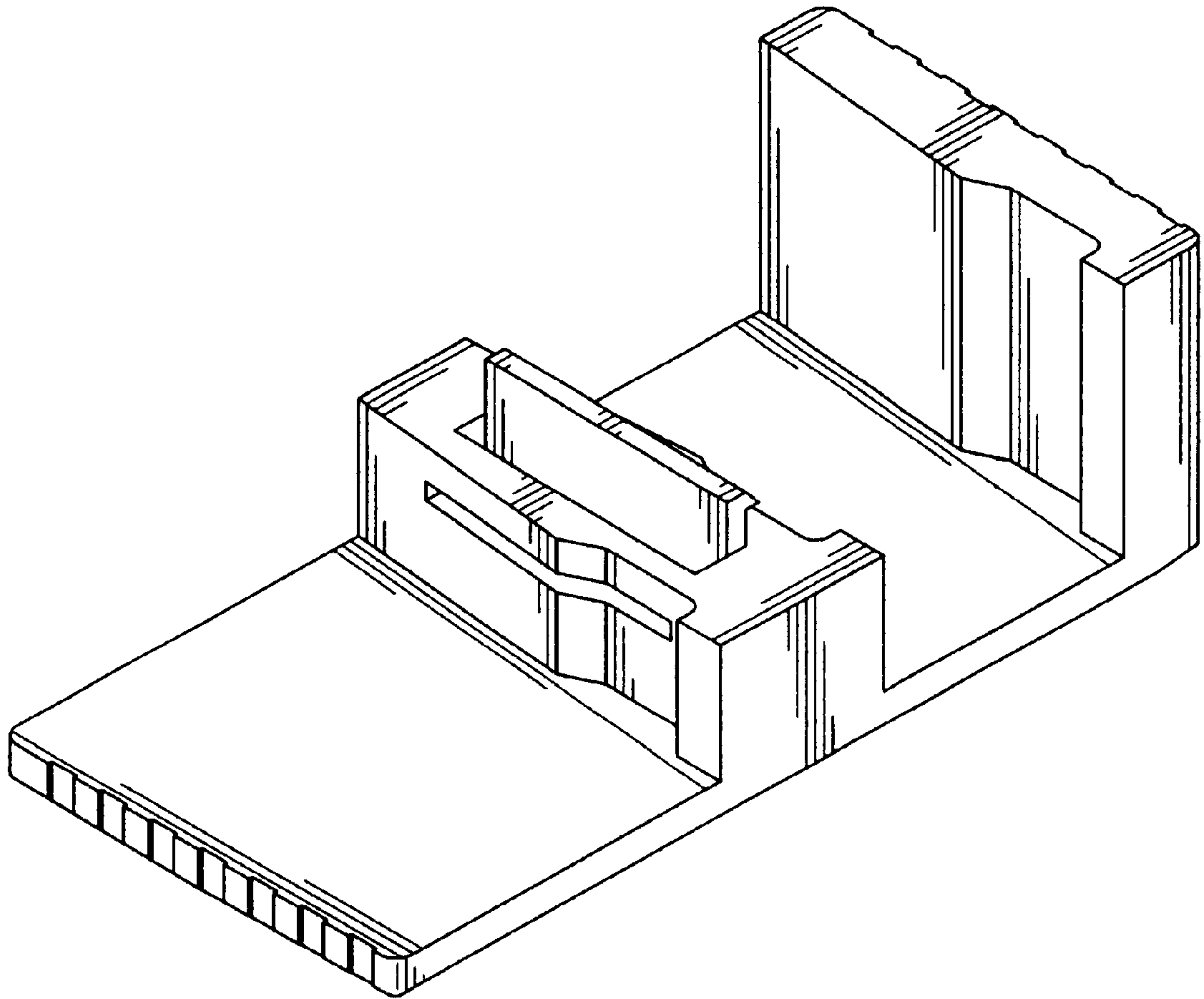


FIG. 1

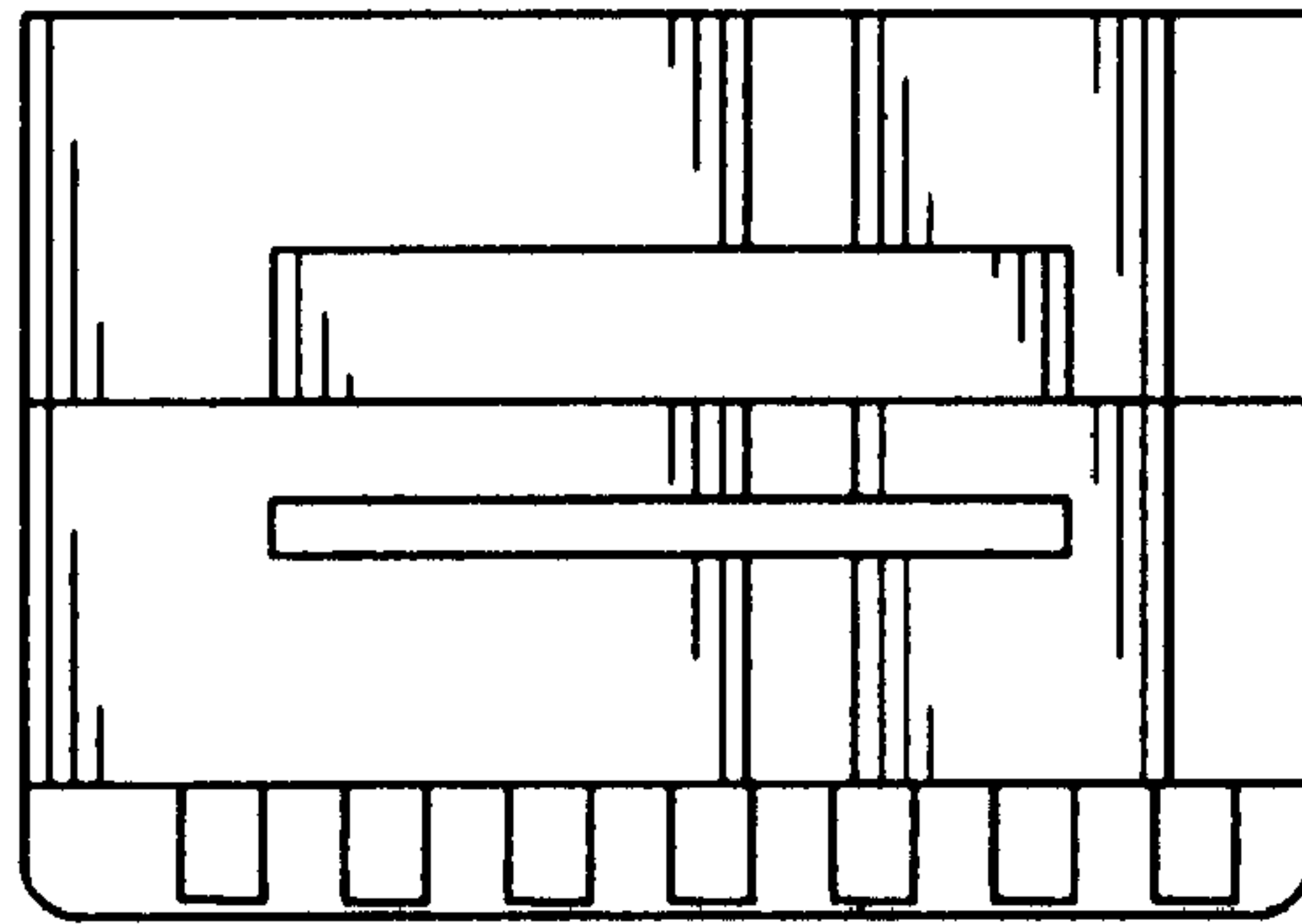


FIG. 2

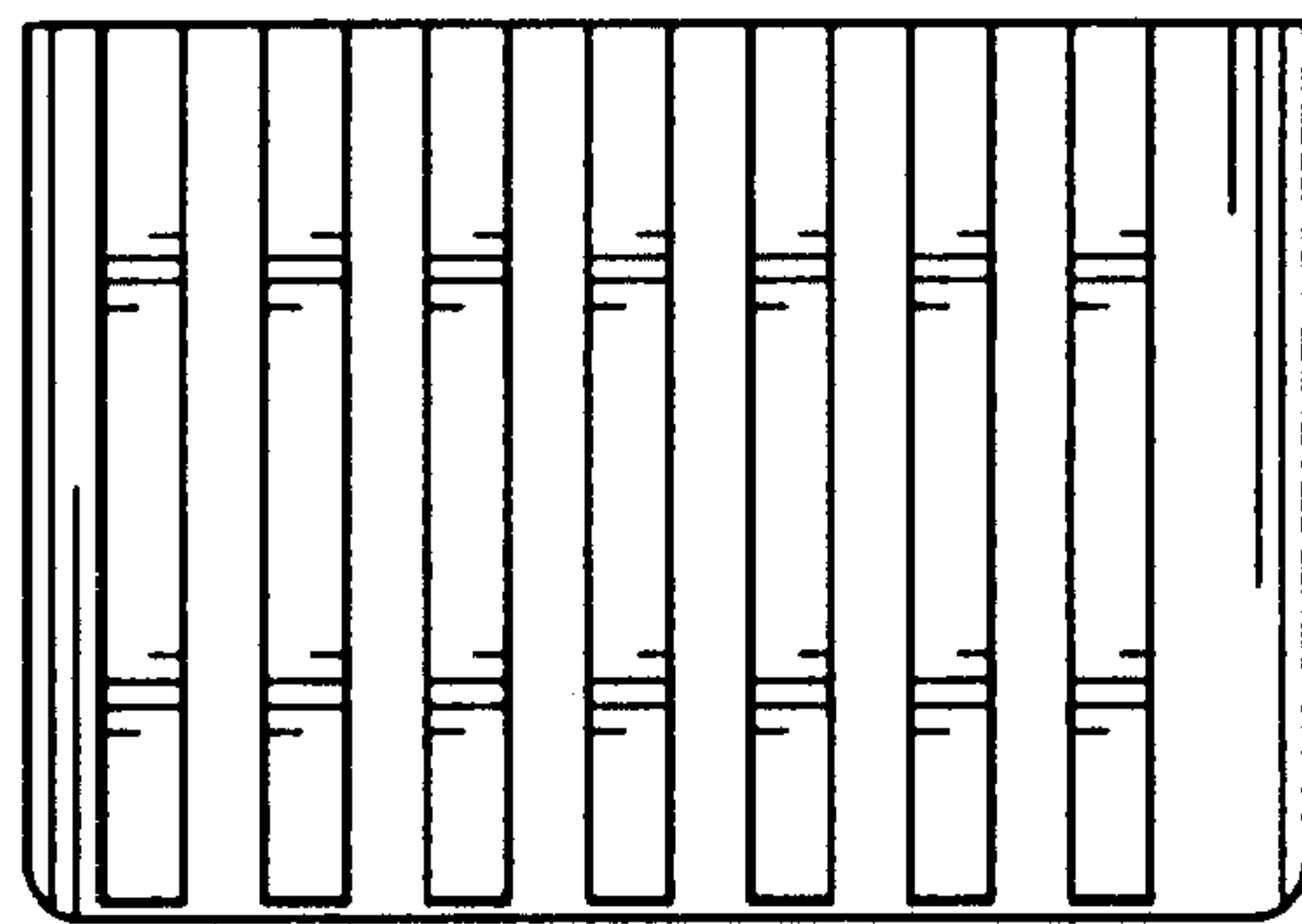


FIG. 3

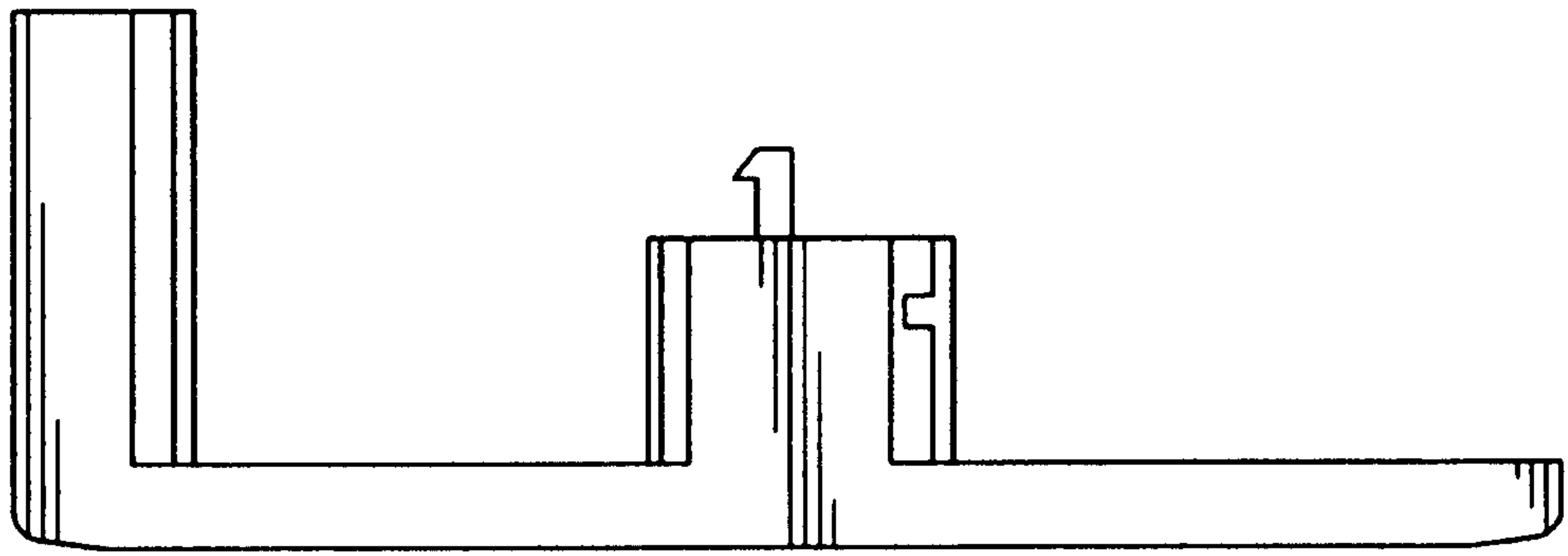


FIG. 4

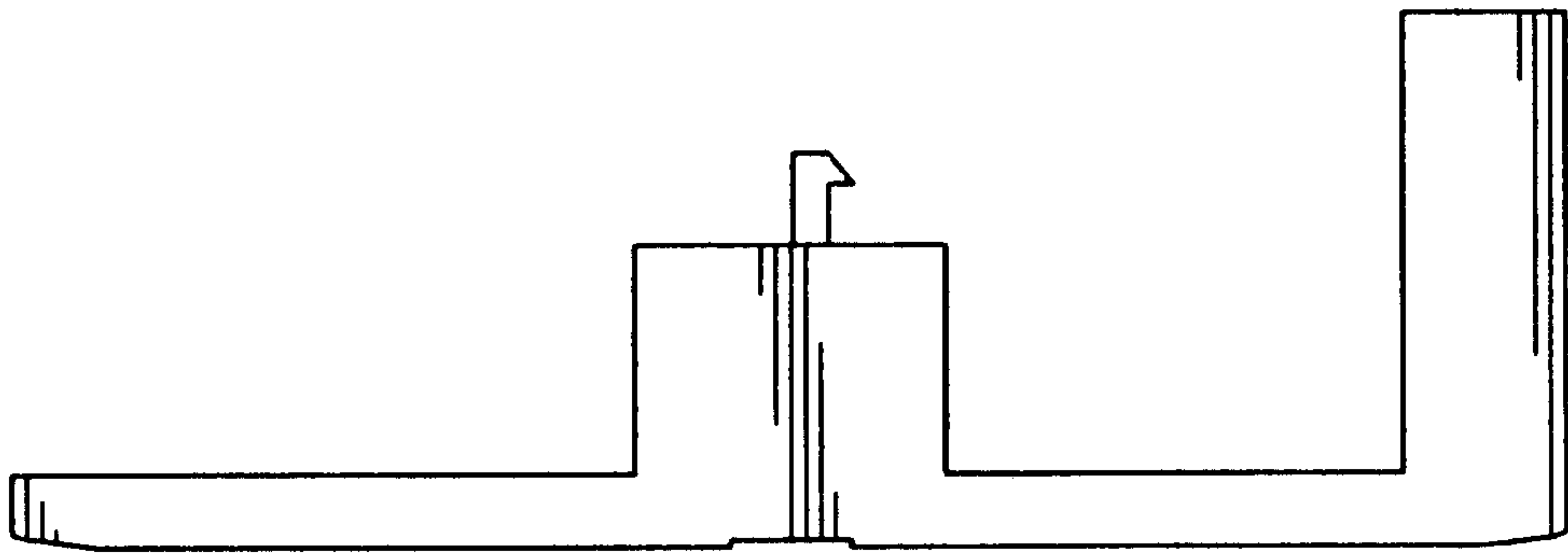


FIG. 5

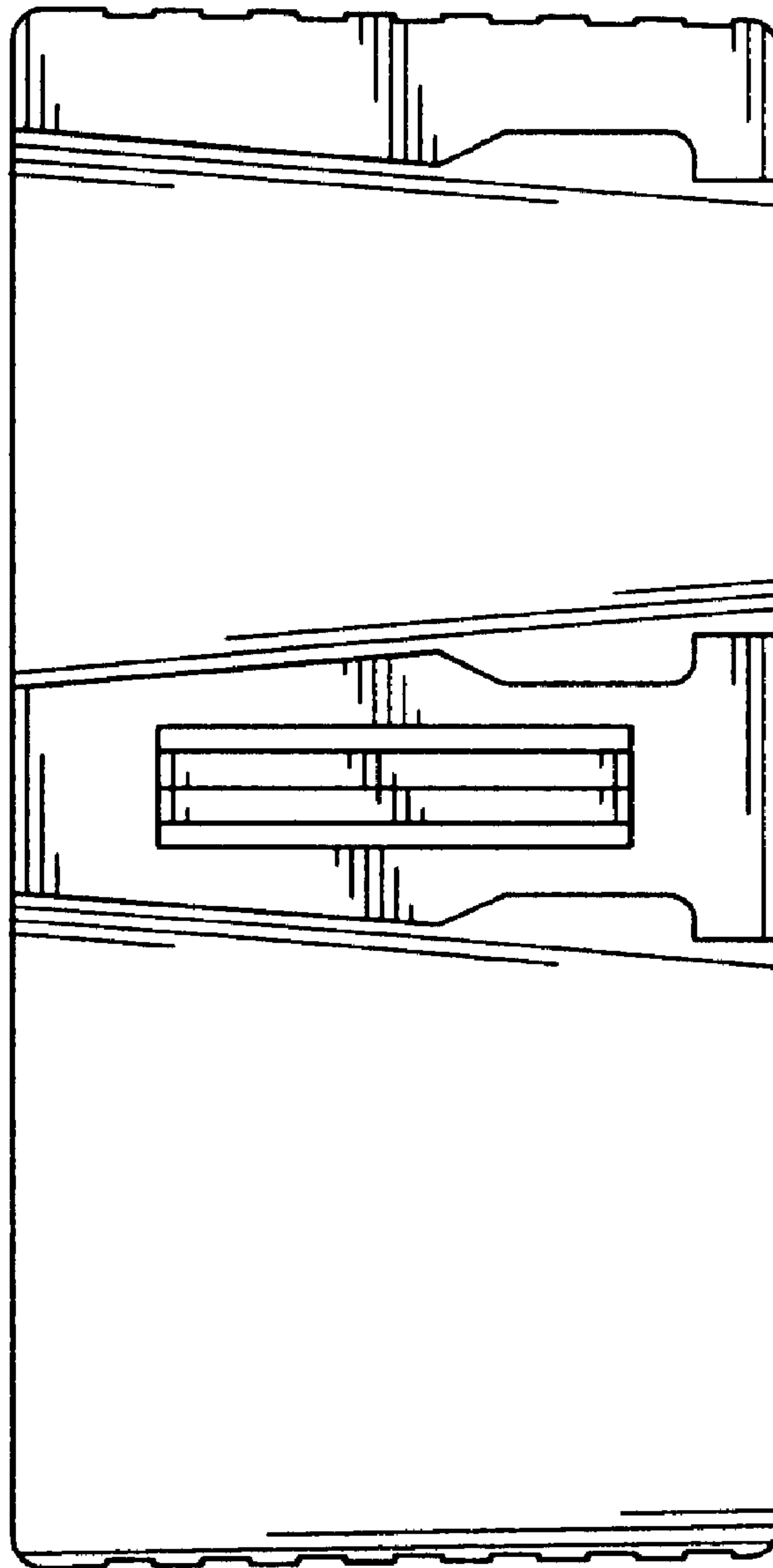


FIG. 6

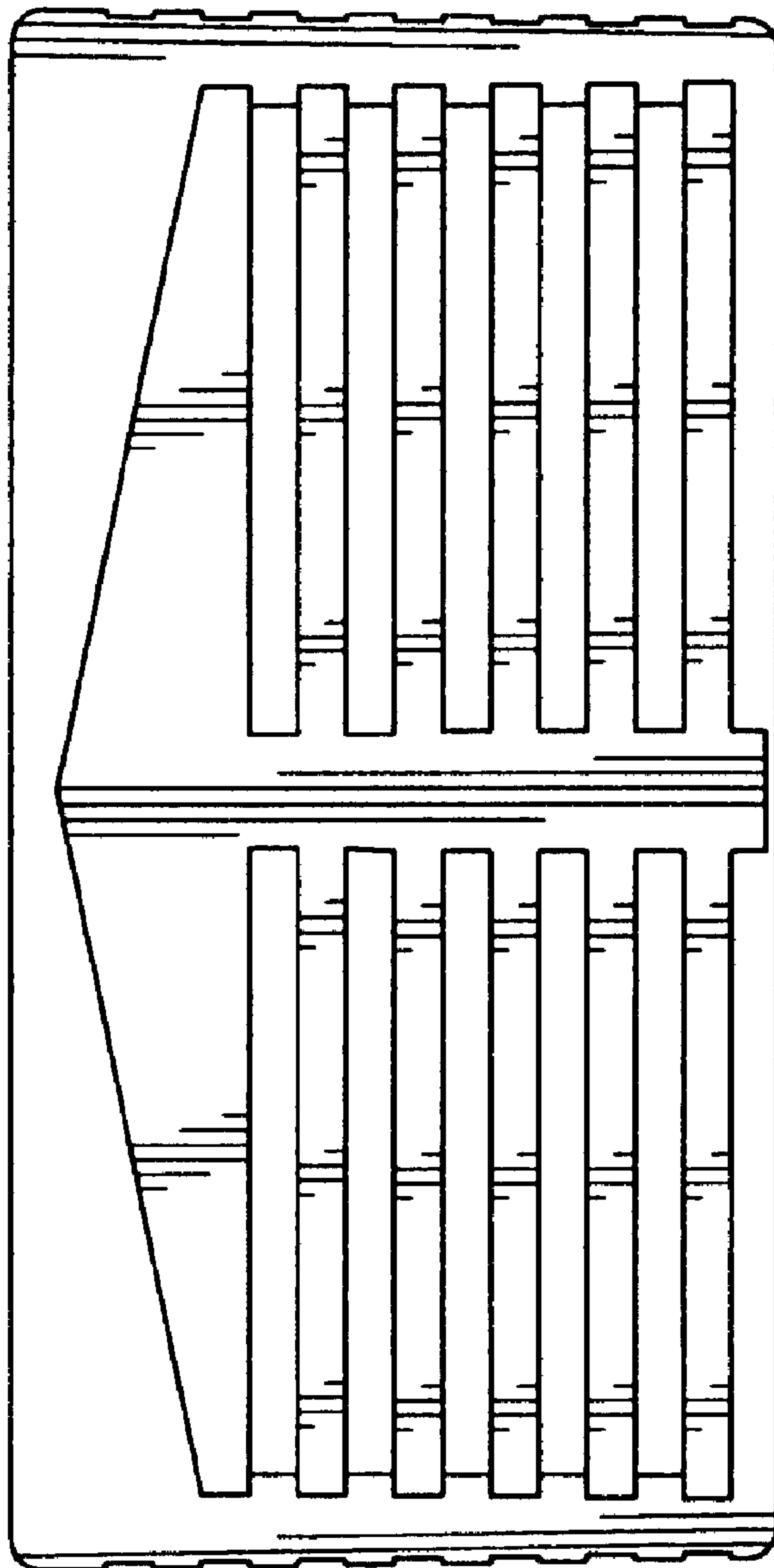


FIG. 7

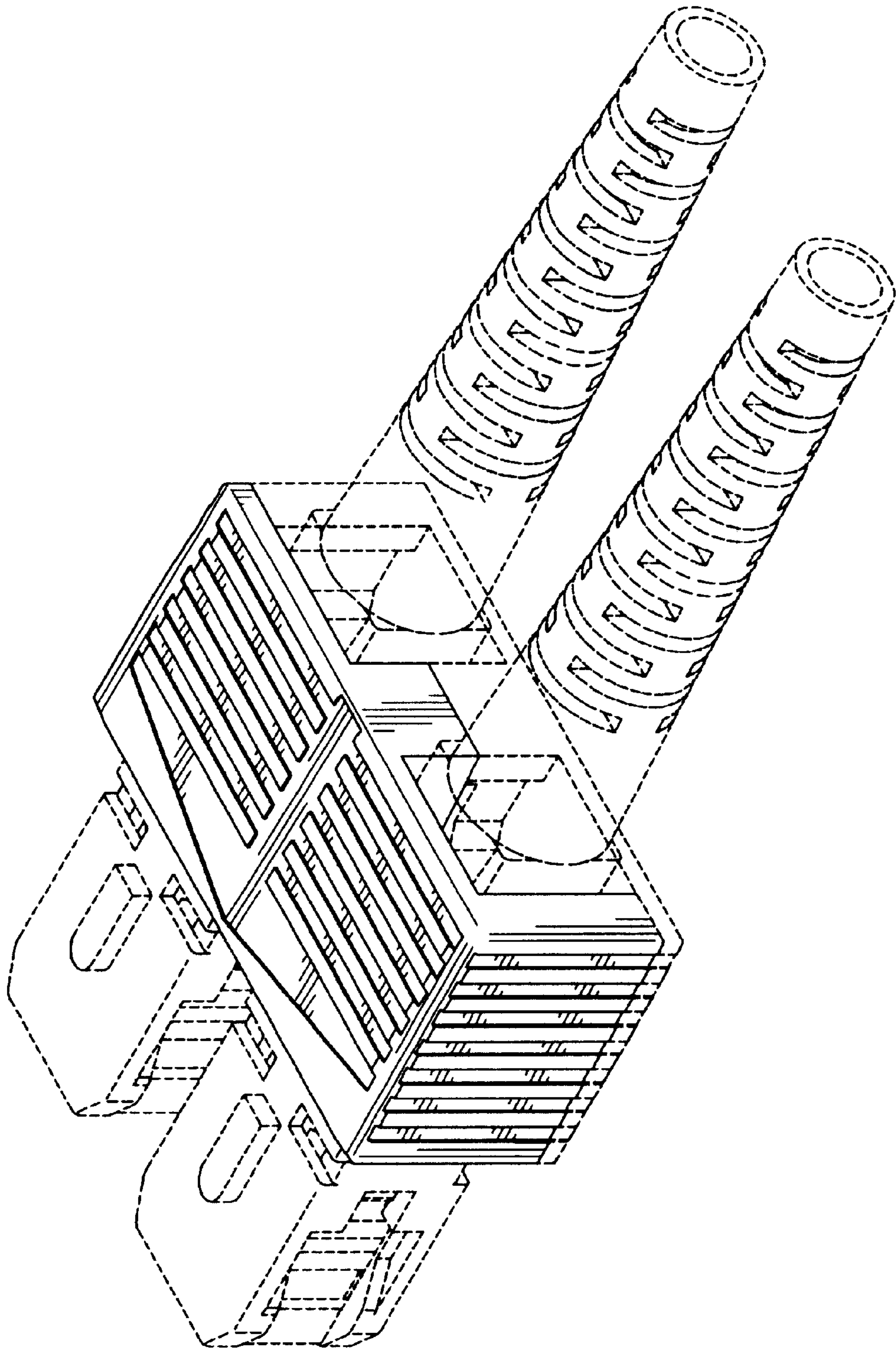


FIG. 8