



US00D467552S

(12) **United States Design Patent**  
**Mori et al.**

(10) **Patent No.:** **US D467,552 S**

(45) **Date of Patent:** **\*\* Dec. 24, 2002**

(54) **CORD MANAGER**

D434,002 S \* 11/2000 Rossman et al. .... D13/173

(75) Inventors: **Kenneth Mori**, Los Angeles, CA (US);  
**Ernesto V. Quinteros**, Los Angeles, CA (US);  
**Vijendra Nalwad**, Thousand Oaks, CA (US)

\* cited by examiner

*Primary Examiner*—Robert M. Spear  
(74) *Attorney, Agent, or Firm*—Bryan Cave LLP

(73) Assignee: **Belkin Corporation**, Compton, CA (US)

(57) **CLAIM**

We claim the ornamental design for a cord manager, as shown and described.

(\*\*) Term: **14 Years**

**DESCRIPTION**

(21) Appl. No.: **29/148,531**

FIG. 1 is a perspective view of a cord manager design shown in its up position, attached to a surge protector, which is shown in phantom to indicate it forms no part of the claimed design;

(22) Filed: **Sep. 19, 2001**

(51) **LOC (7) Cl.** ..... **13-03**

(52) **U.S. Cl.** ..... **D13/154**

(58) **Field of Search** ..... D8/364, 383, 394,  
D8/396; D13/137.2, 137.3, 137.4, 139.6,  
152-156, 160, 184, 199; 24/334, 457; 174/135;  
439/107, 650-654, 954

FIG. 2 is a top view of the cord manager design of FIG. 1; FIG. 3 is a front view of the cord manager design of FIG. 1; FIG. 4 is a right side view of the cord manager design of FIG. 1;

(56) **References Cited**

**U.S. PATENT DOCUMENTS**

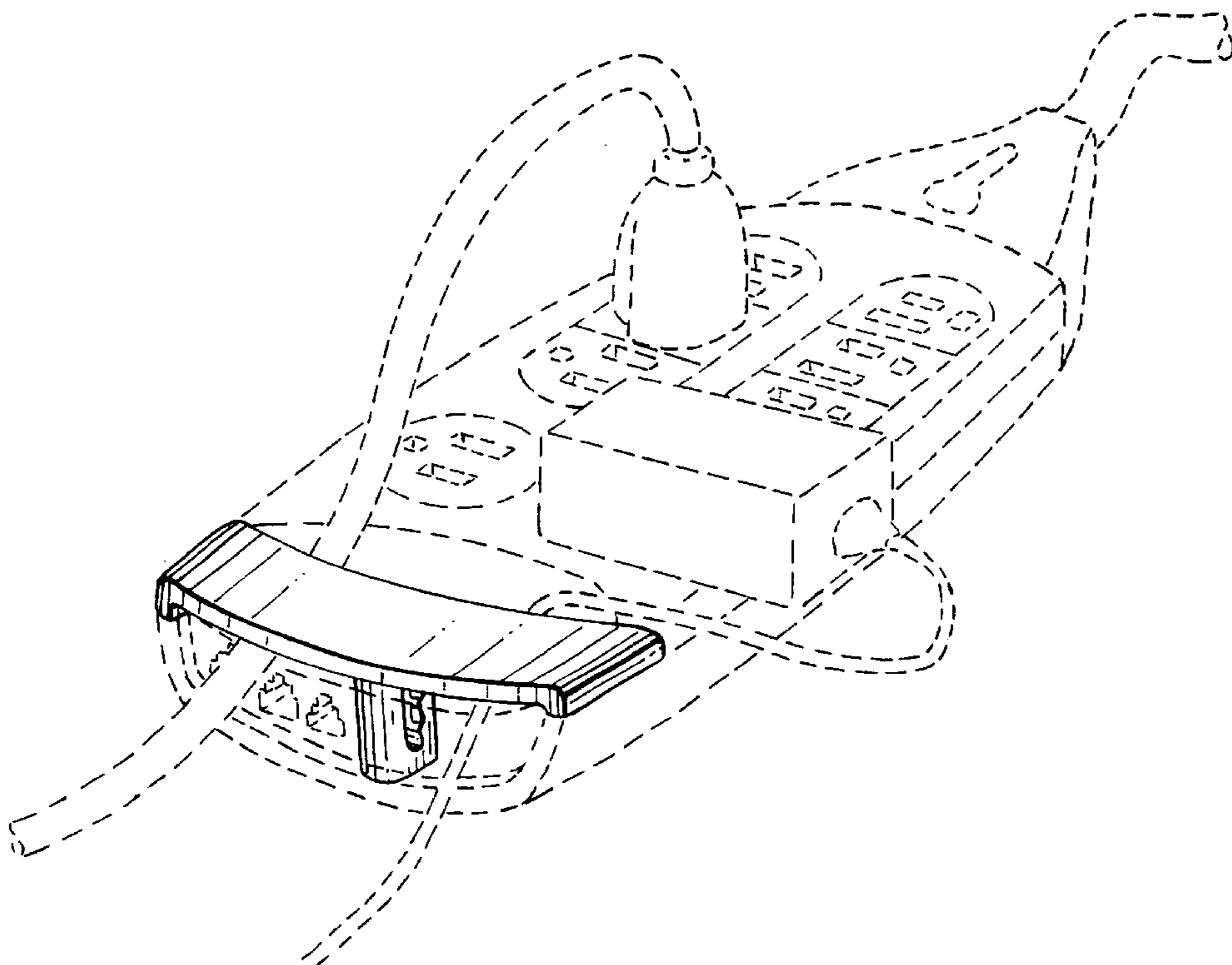
2,206,775	A	*	7/1940	Hooper	.....	24/334
D370,460	S	*	6/1996	Boesel et al.	.....	D13/137.2
5,780,775	A	*	7/1998	Yu	.....	439/910
D409,146	S	*	5/1999	Fladung	.....	D13/137.2
D411,511	S	*	6/1999	Rossman et al.	.....	D13/139.6
D412,336	S	*	7/1999	Bakoleadis	.....	D8/394
D422,267	S	*	4/2000	Richards	.....	D13/154

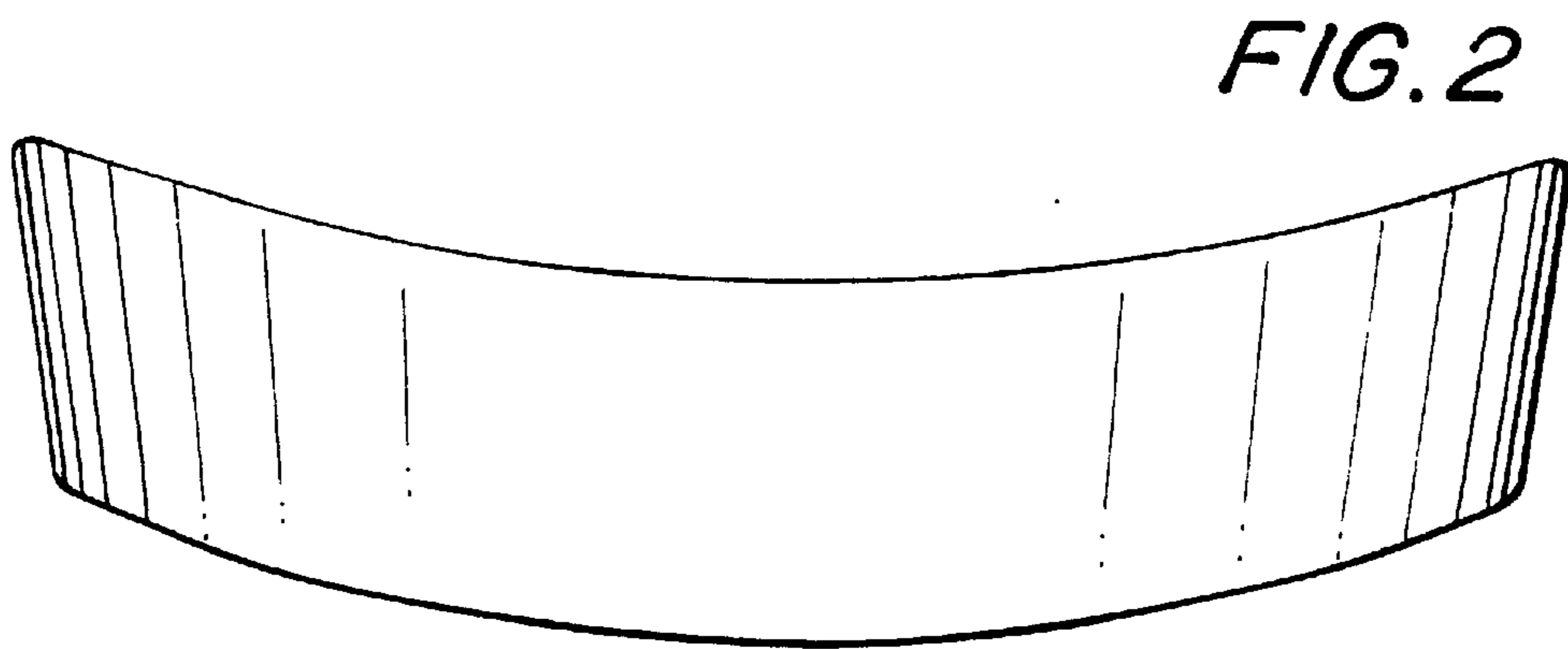
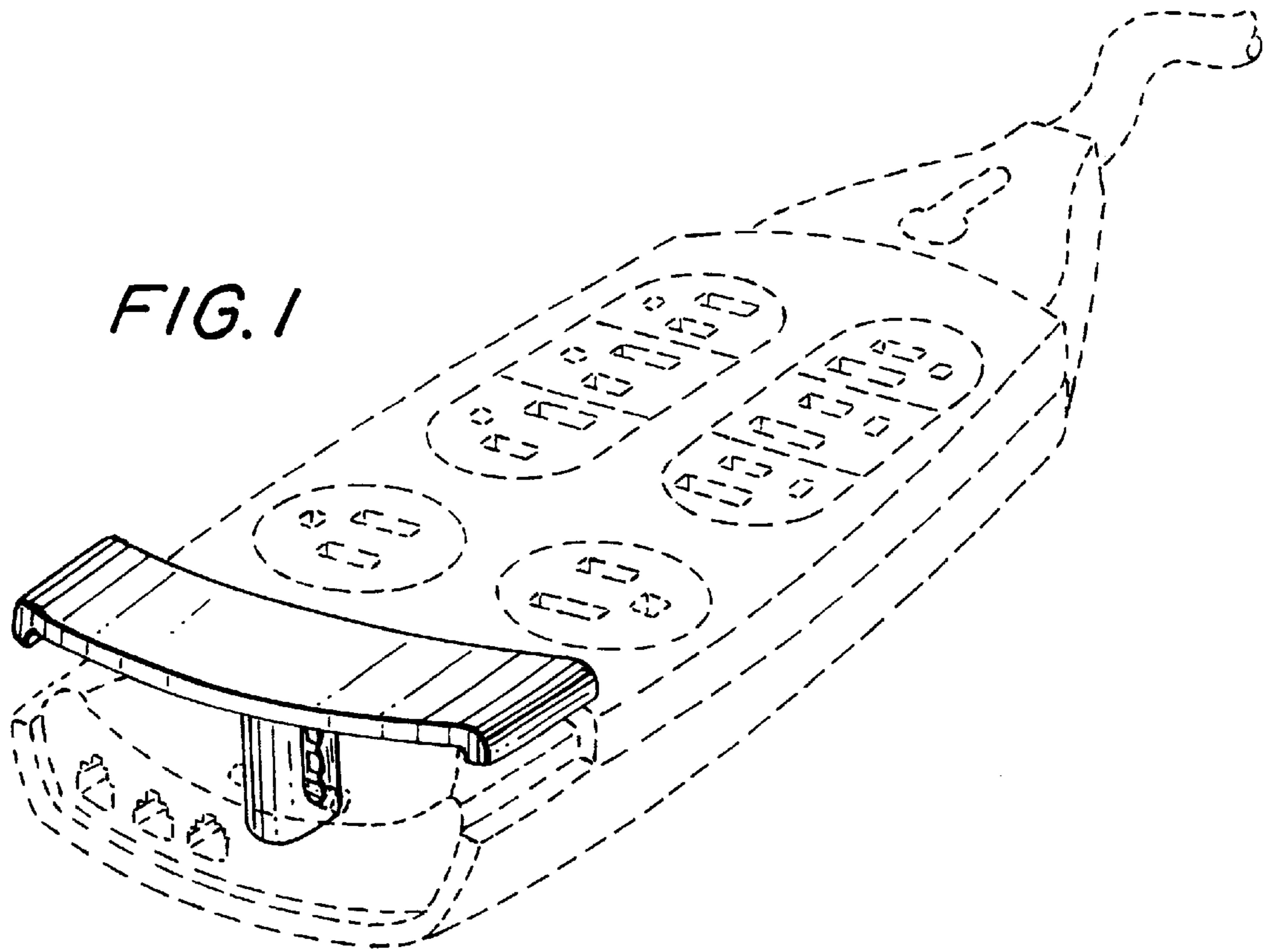
FIG. 5 is a left side view of the cord manager design of FIG. 1;

FIG. 6 is a rear view of the cord manager design of FIG. 1; FIG. 7 is a bottom view of the cord manager design of FIG. 1; and,

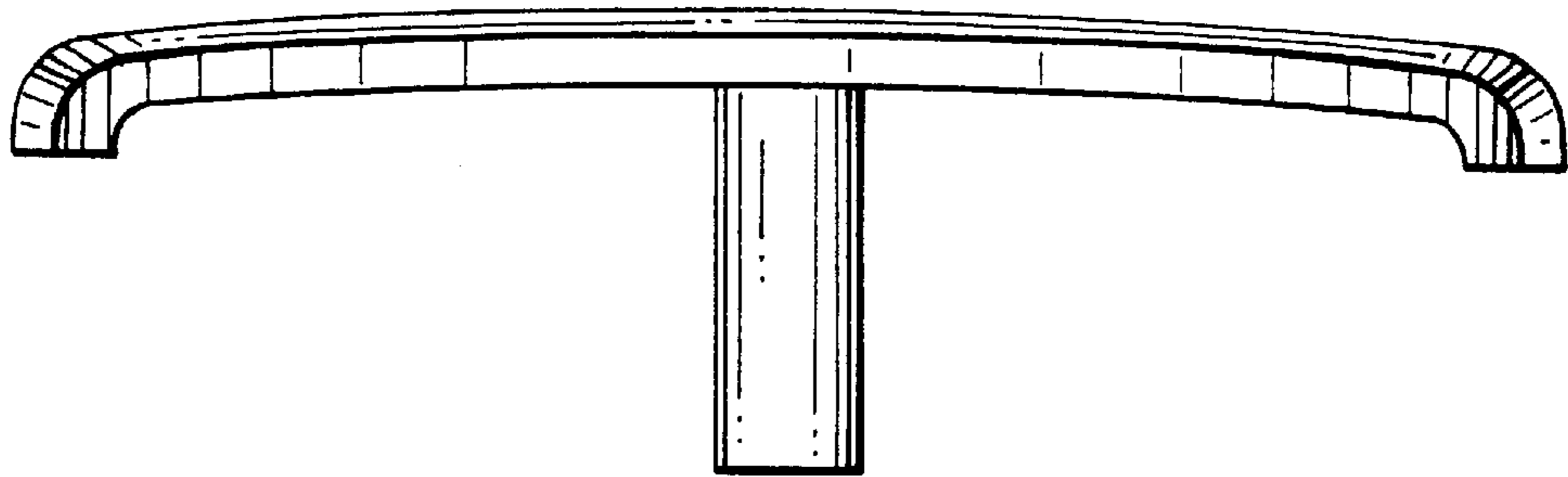
FIG. 8 is a perspective view of the cord manager design of FIG. 1 shown in use in its down position, attached to a surge protector, which is shown in phantom to indicate it forms no part of the claimed design.

**1 Claim, 3 Drawing Sheets**

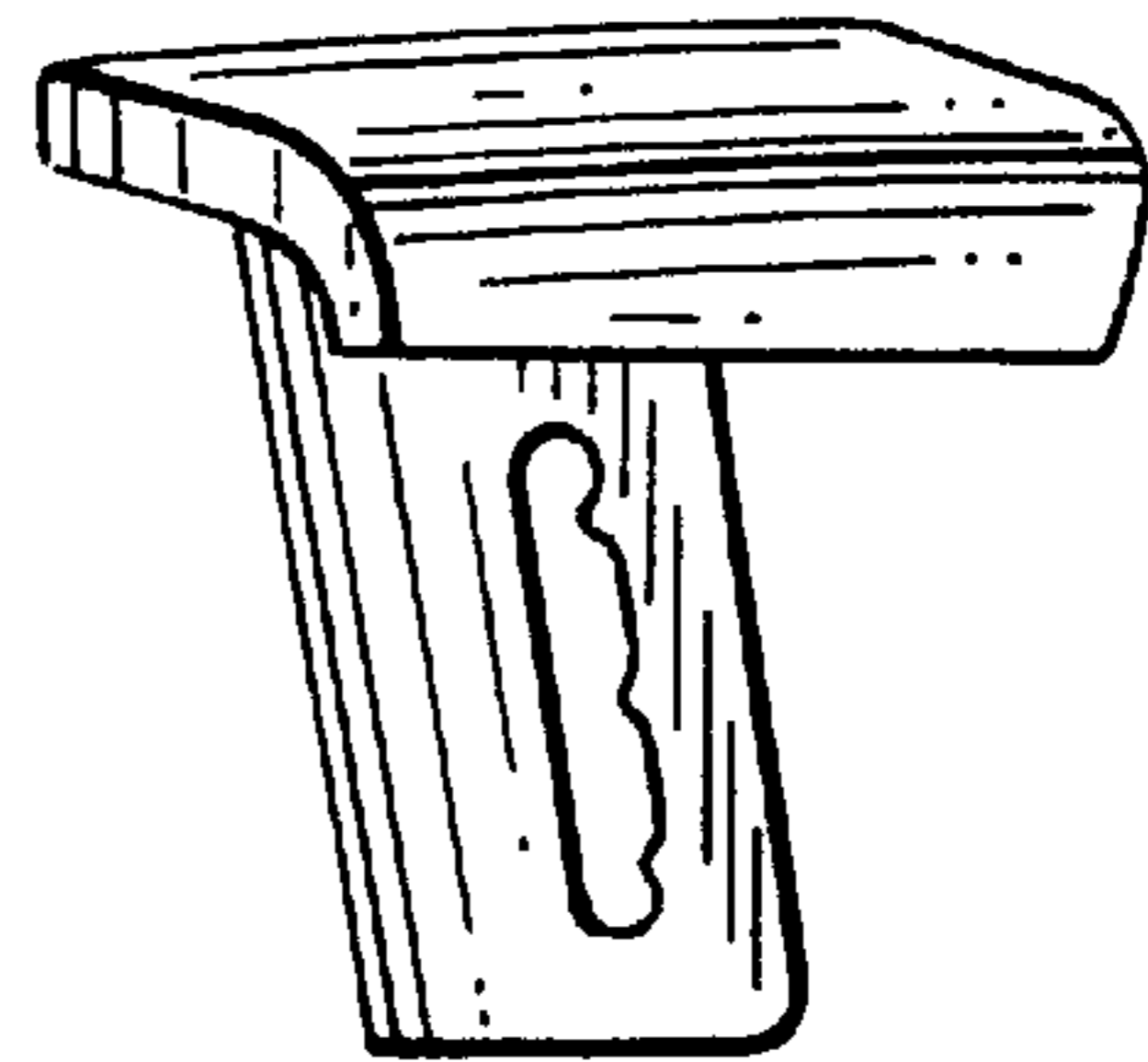




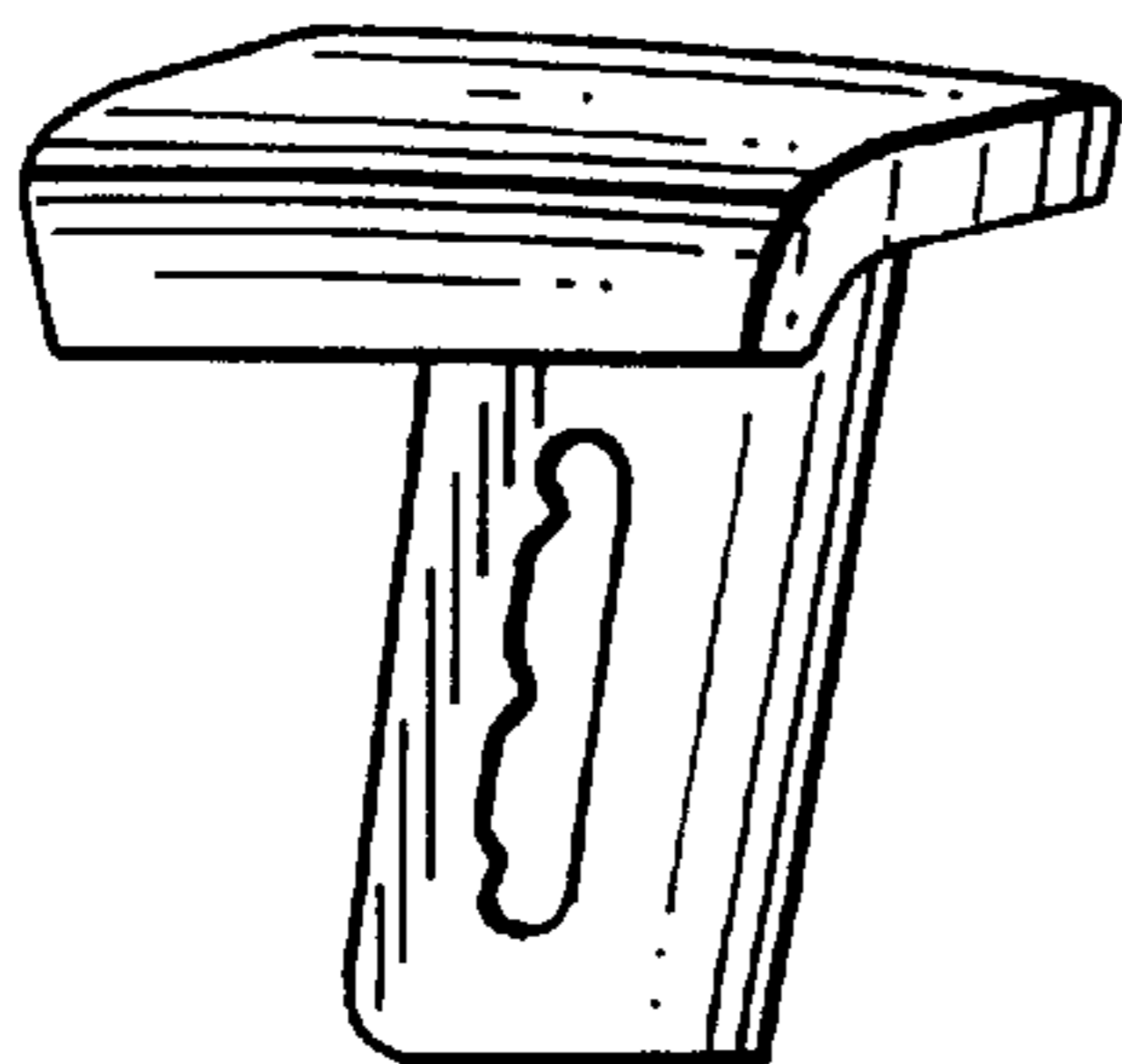
*FIG. 3*



*FIG. 4*



*FIG. 5*



*FIG. 6*

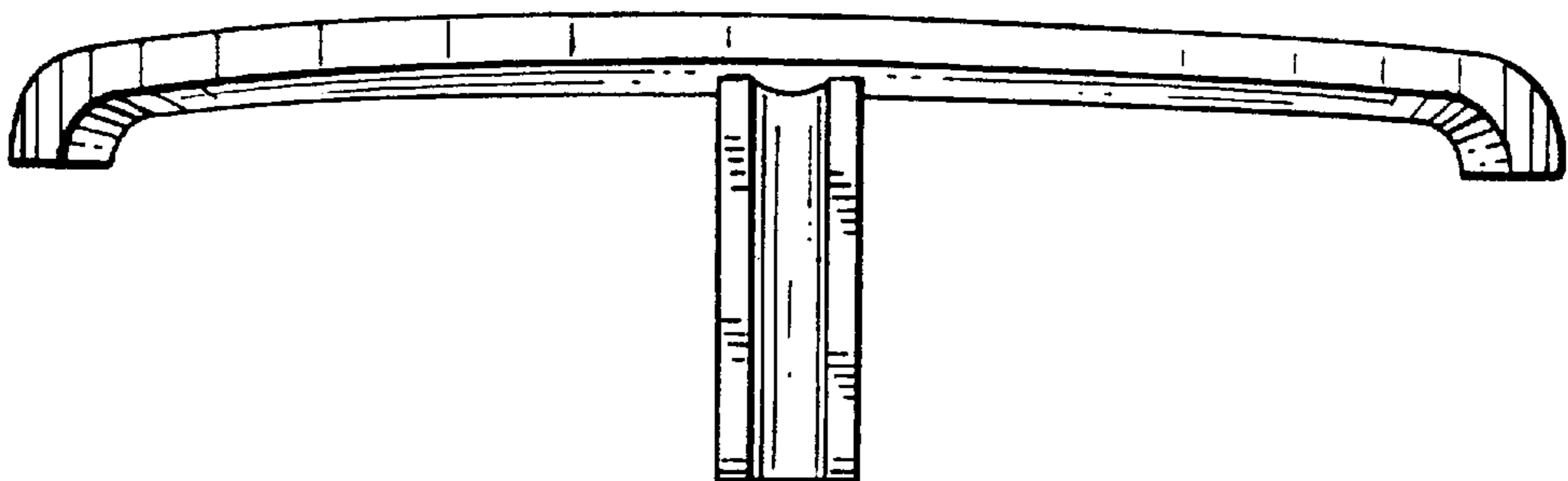


FIG. 7

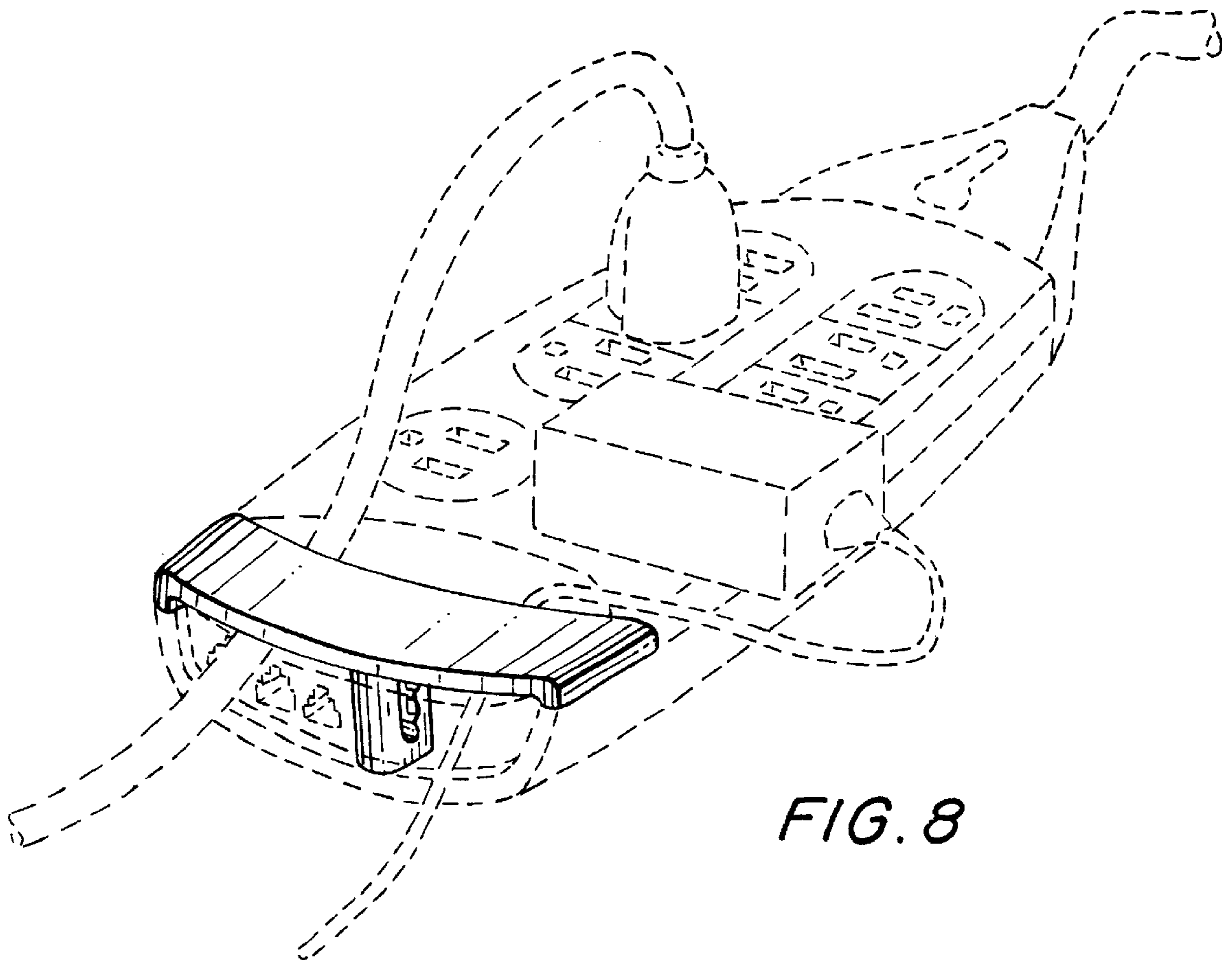
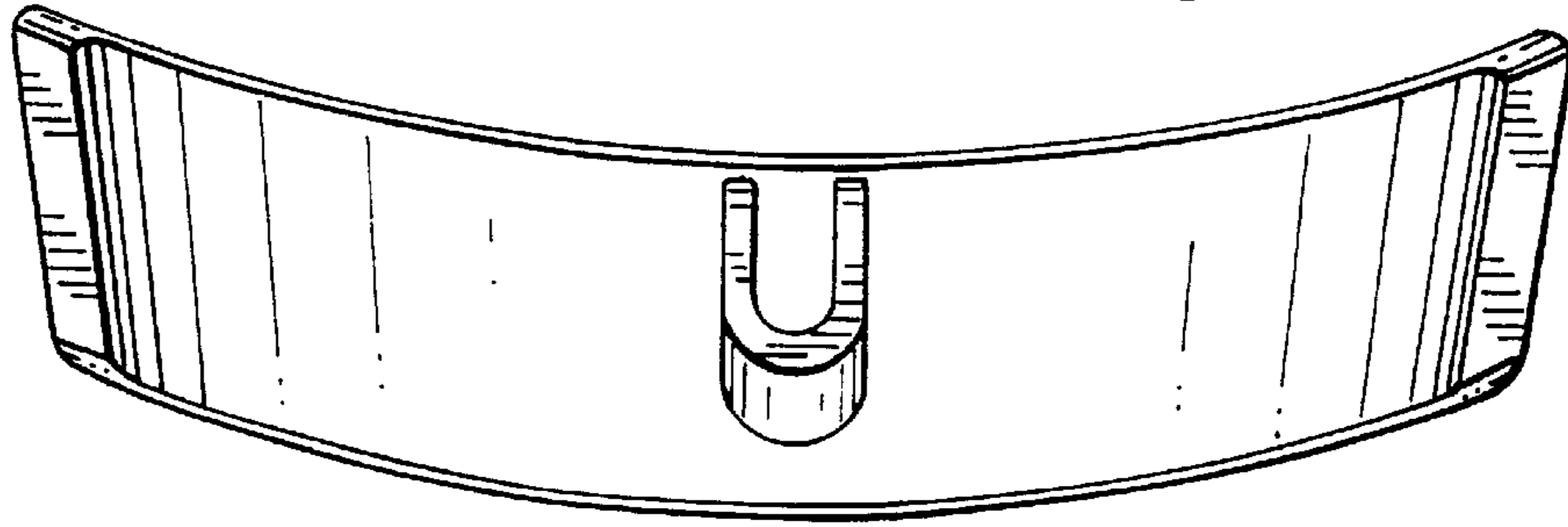


FIG. 8