



US00D467551S

(12) **United States Design Patent**
Tomino et al.

(10) **Patent No.:** **US D467,551 S**

(45) **Date of Patent:** **** Dec. 24, 2002**

(54) **EXTRA LENGTH SEALED CABLE
ACCOMMODATION CASE**

(75) Inventors: **Hiroyuki Tomino, Tokyo (JP); Takeshi
Maruyama, Tokyo (JP)**

(73) Assignee: **Allied Telesis Kabushiki Kaisha,
Tokyo (JP)**

(**) Term: **14 Years**

(21) Appl. No.: **29/149,829**

(22) Filed: **Oct. 16, 2001**

(30) **Foreign Application Priority Data**

Sep. 13, 2001 (JP) 2001-026999

(51) **LOC (7) Cl.** **13-03**

(52) **U.S. Cl.** **D13/152**

(58) **Field of Search** D13/152-156,
D13/184, 199; D14/240; 174/73.1, 92, 93,
135, 138 F; 348/552; 379/411, 419, 455;
439/367, 369, 527

(56) **References Cited**

U.S. PATENT DOCUMENTS

D314,759 S * 2/1991 Collins et al. D13/152

D318,850 S * 8/1991 Matsumoto et al. D13/147

5,113,436 A * 5/1992 Jarvela et al. 379/455
D366,456 S * 1/1996 Rodriguez et al. D13/147
D398,900 S * 9/1998 Roman D13/123
D405,423 S * 2/1999 Nakamura D13/156
5,867,218 A * 2/1999 Matsuzaki et al. 348/552
D444,145 S * 6/2001 Narrillos D14/240

* cited by examiner

Primary Examiner—Robert M. Spear

(74) *Attorney, Agent, or Firm*—Knobbe, Martens, Olson &
Bear LLP

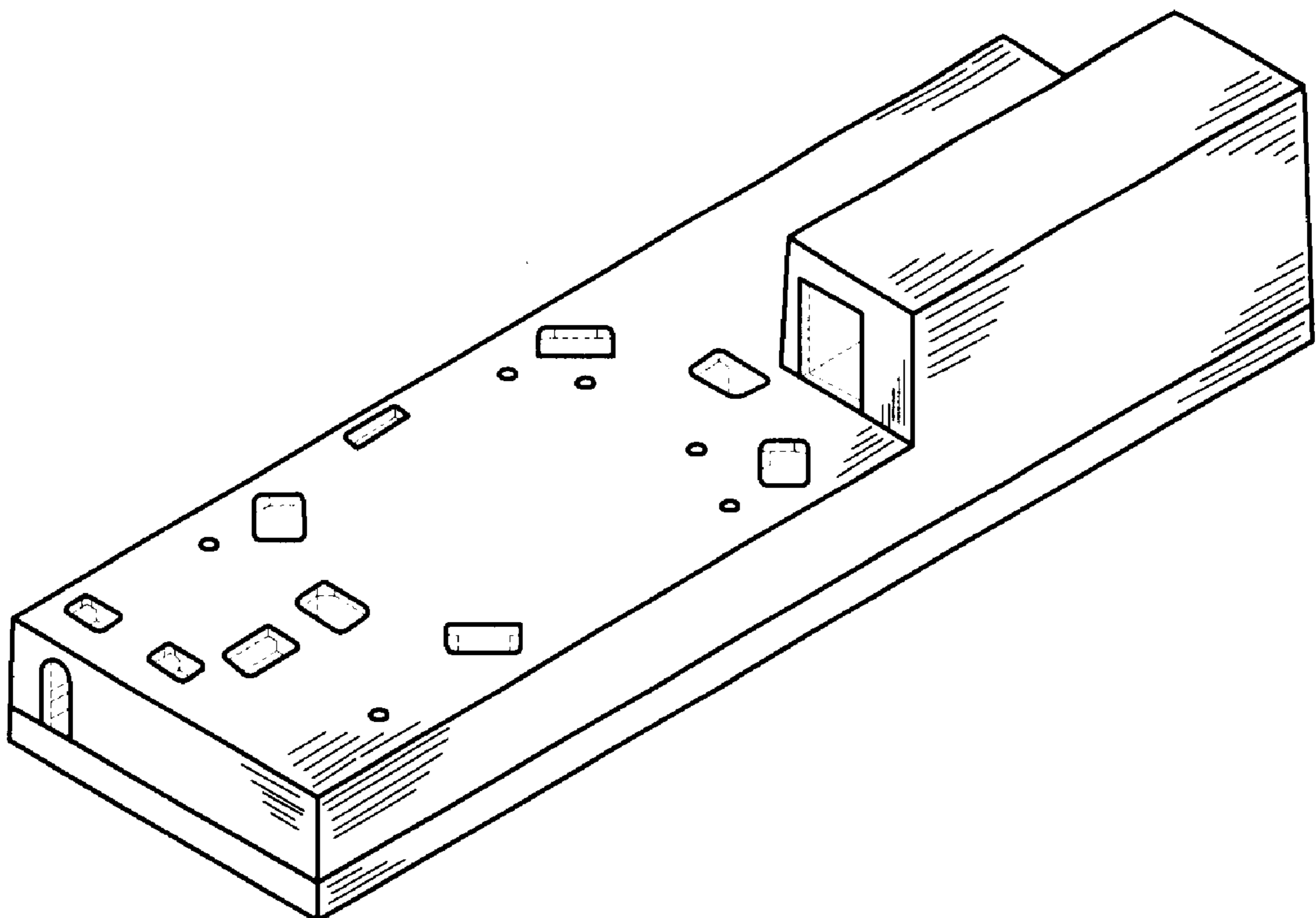
(57) **CLAIM**

The ornamental design for an extra length sealed cable
accommodation case, as shown.

DESCRIPTION

FIG. 1 is a perspective view of an extra length sealed
accommodation case showing our new design;
FIG. 2 is a right side view thereof;
FIG. 3 is a left side view thereof;
FIG. 4 is a rear elevation view thereof;
FIG. 5 is a front elevation view thereof;
FIG. 6 is a top plan view thereof; and,
FIG. 7 is a bottom plan view thereof.
The broken lines in the drawings depict environmental
structure, which forms no part of the claimed design.

1 Claim, 3 Drawing Sheets



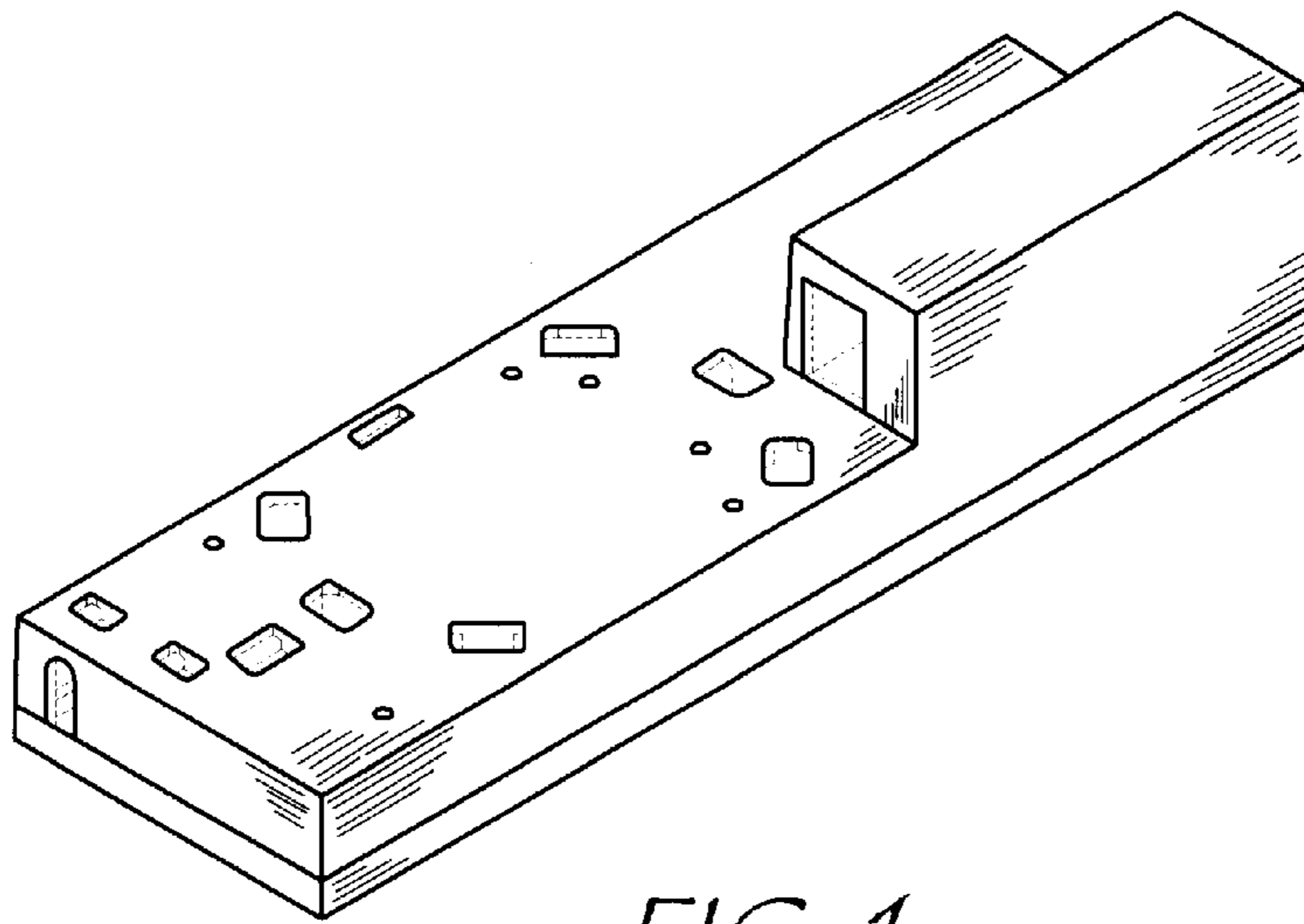


FIG. 1

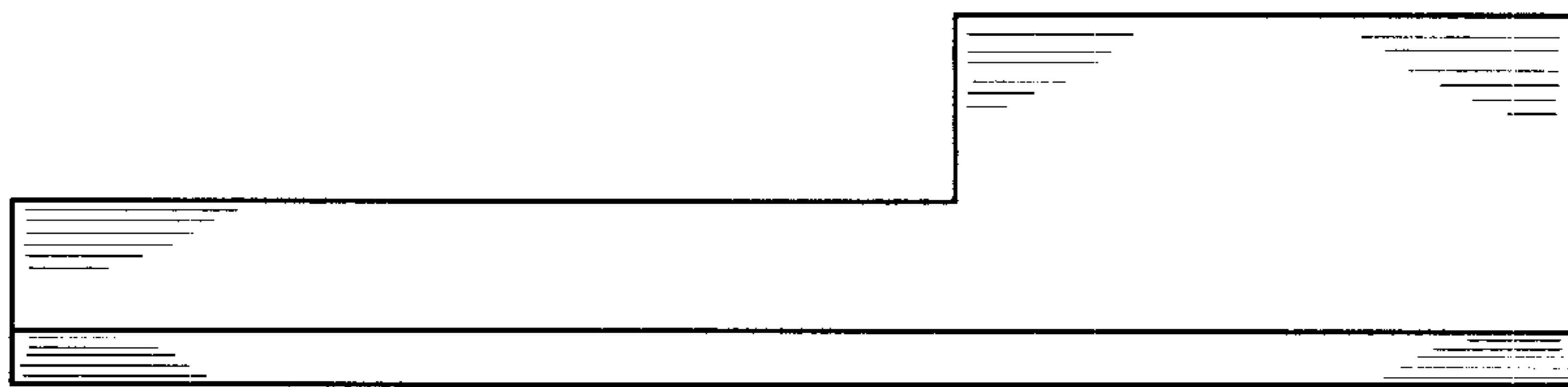


FIG. 2

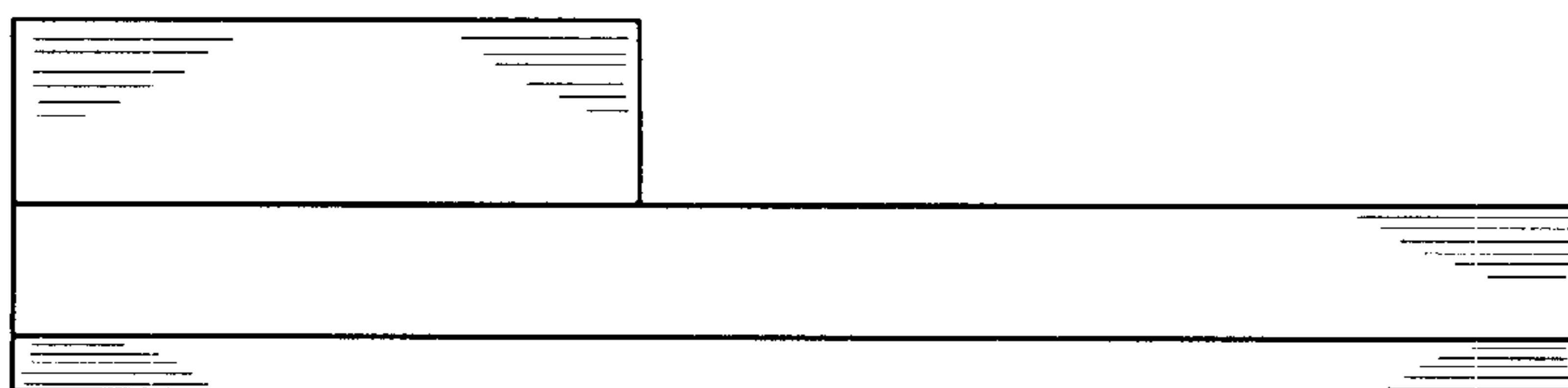


FIG. 3

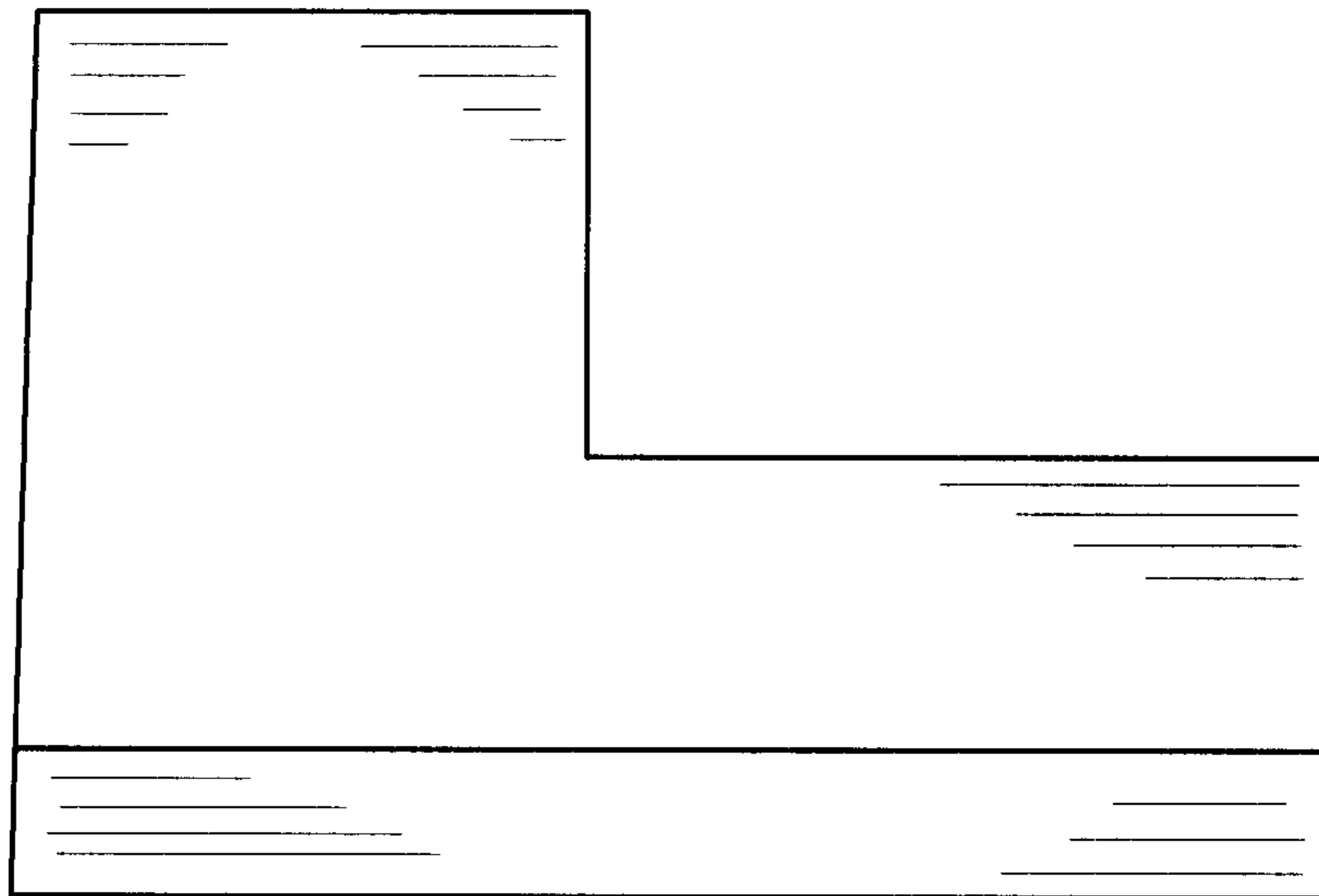


FIG. 4

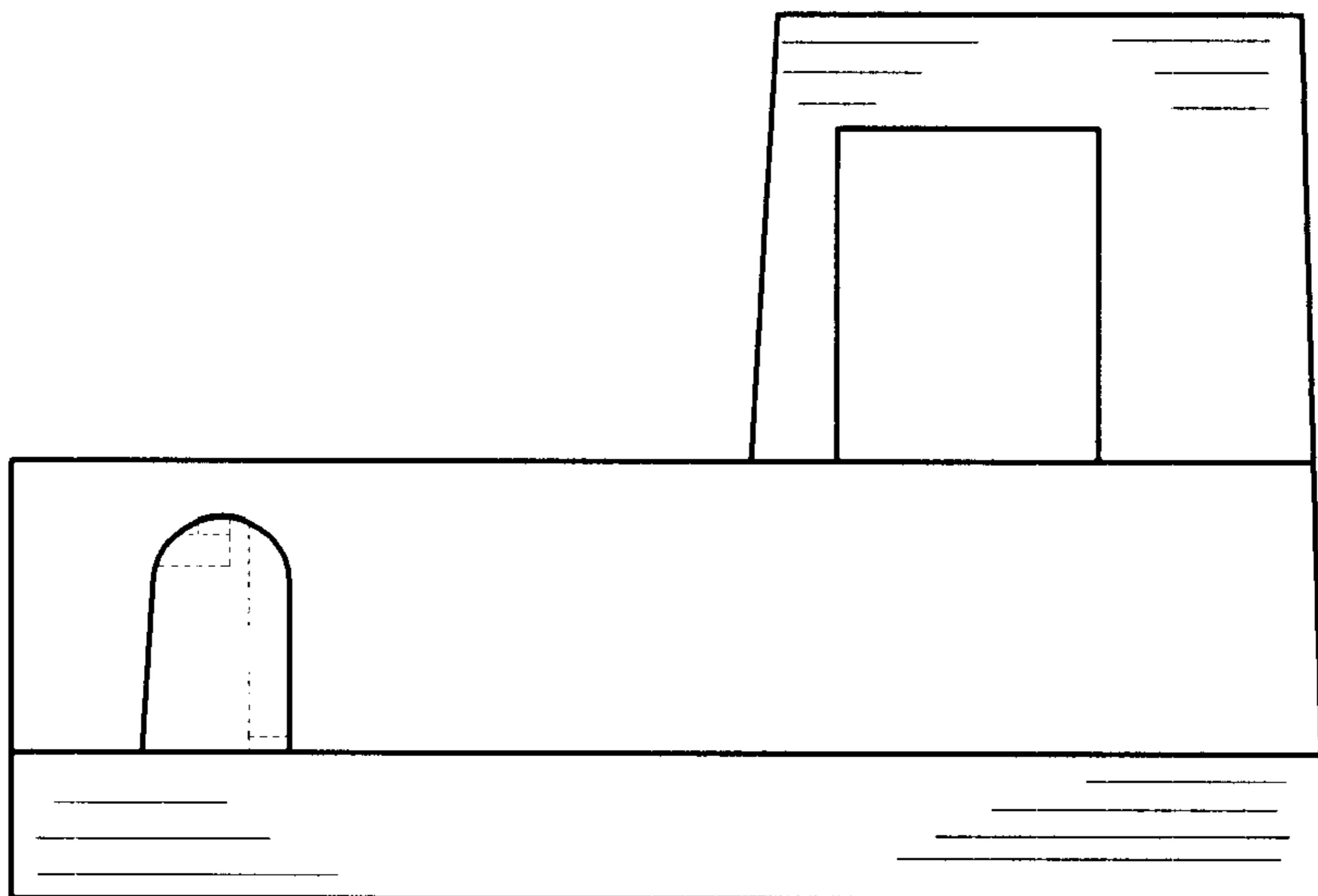


FIG. 5

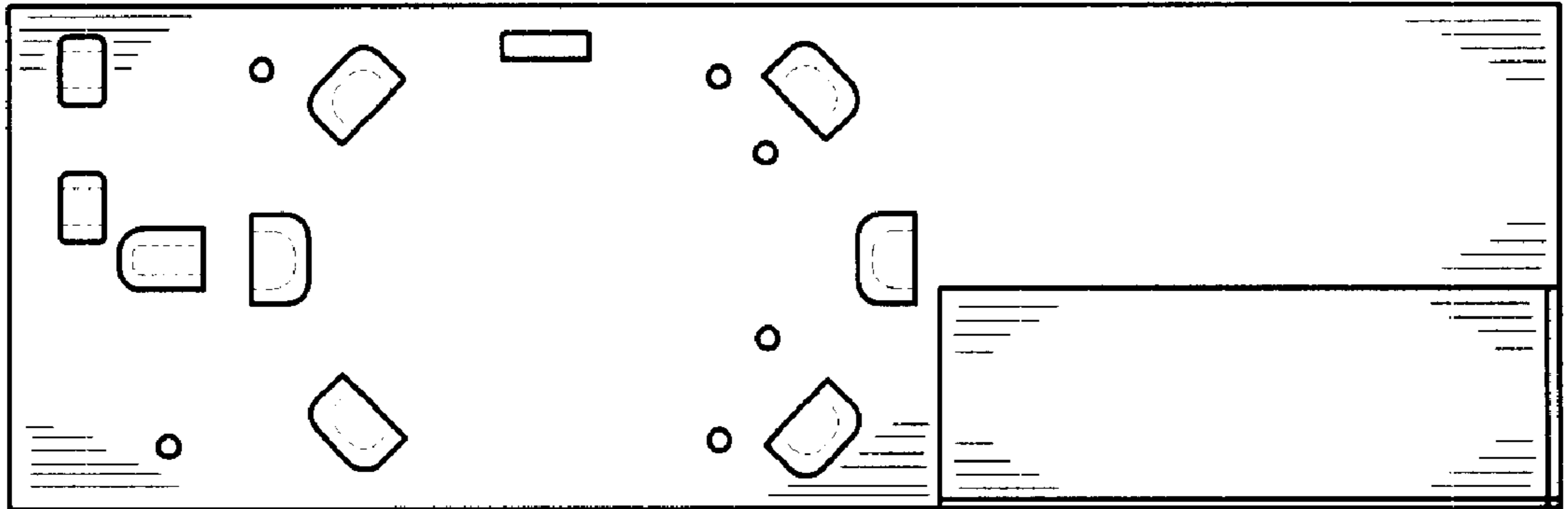


FIG. 6

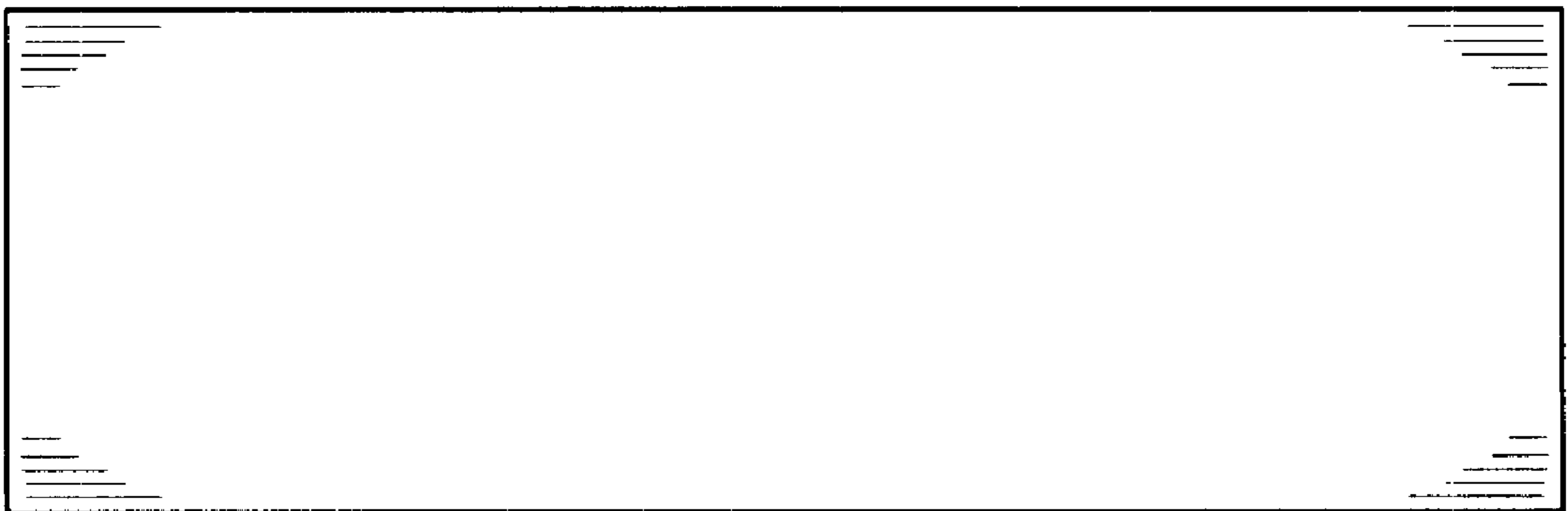


FIG. 7