



US00D467549S

(12) **United States Design Patent**
Wu

(10) **Patent No.:** **US D467,549 S**

(45) **Date of Patent:** **** Dec. 24, 2002**

(54) **ELECTRICAL CONNECTOR**

(75) **Inventor:** **Jerry Wu, Pan-Chiao (TW)**

(73) **Assignee:** **Hon Hai Precision Ind. Co., Ltd.,
Taipei Hsien (TW)**

(**) **Term:** **14 Years**

(21) **Appl. No.:** **29/153,375**

(22) **Filed:** **Dec. 28, 2001**

(51) **LOC (7) Cl.** **13-03**

(52) **U.S. Cl.** **D13/147**

(58) **Field of Search** D13/147; 439/540.1,
439/541.5

(56) **References Cited**

U.S. PATENT DOCUMENTS

5,267,876	A	*	12/1993	Rupert et al.	439/541.5
5,318,463	A	*	6/1994	Broschard, III et al.	.	439/541.5
5,733,143	A	*	3/1998	Ward et al.	439/541.5
5,823,822	A	*	10/1998	Tan et al.	439/541.5

D421,420 S * 3/2000 Wu D13/147

6,033,258 A * 3/2000 Huang et al. 439/541.5

D433,384 S * 11/2000 Wu D13/147

* cited by examiner

Primary Examiner—Joel Sincavage

(74) *Attorney, Agent, or Firm*—Wei Te Chung

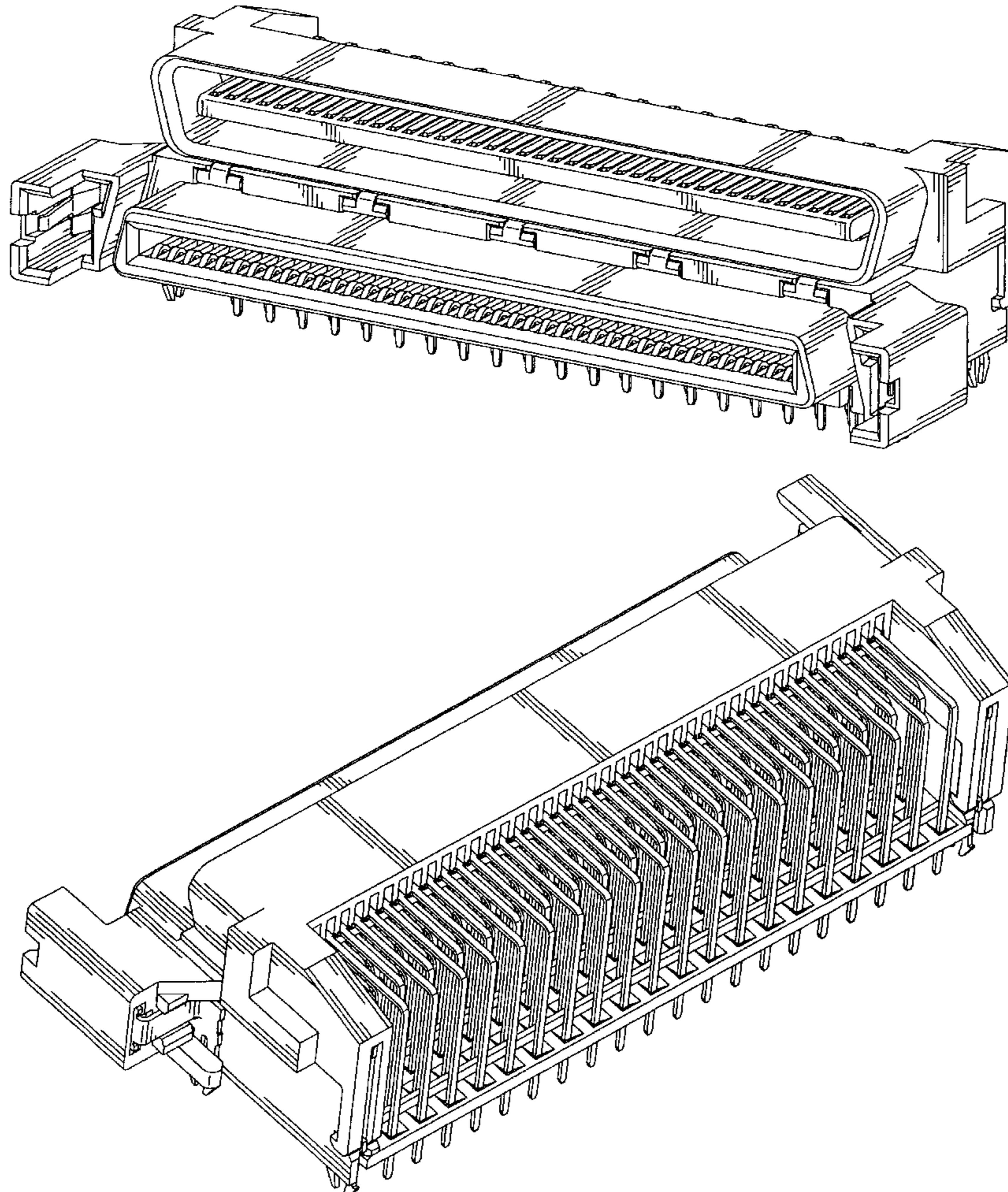
(57) **CLAIM**

The ornamental design for an electrical connector, as shown.

DESCRIPTION

FIG. 1 is a front, top and right side perspective view of an electrical connector showing my new design; FIG. 2 is a front elevational view thereof; FIG. 3 is a rear elevational view thereof; FIG. 4 is a left side elevational view thereof; FIG. 5 is a right side elevational view thereof; FIG. 6 is a top plan view thereof; FIG. 7 is a bottom plan view thereof; and, FIG. 8 is a rear, top and right side perspective view thereof.

1 Claim, 7 Drawing Sheets



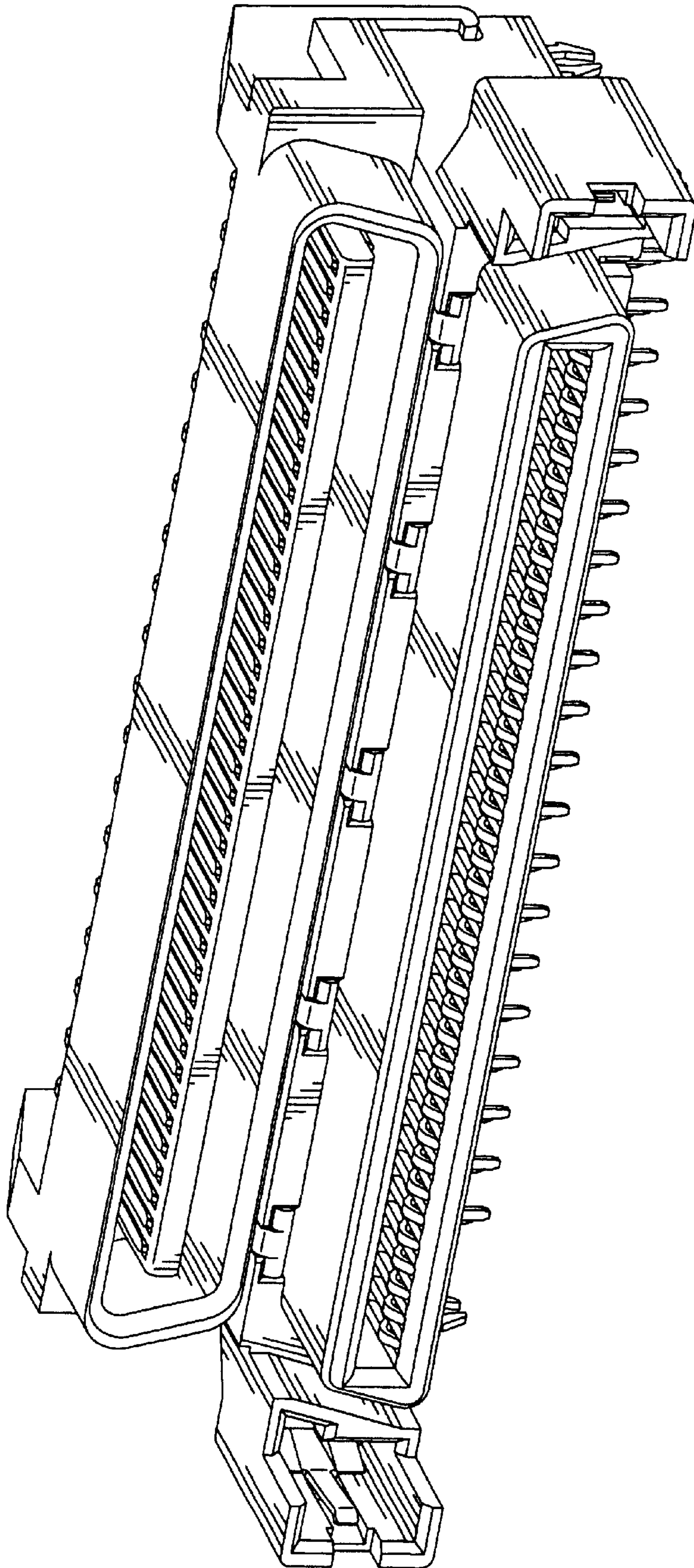


FIG. 1

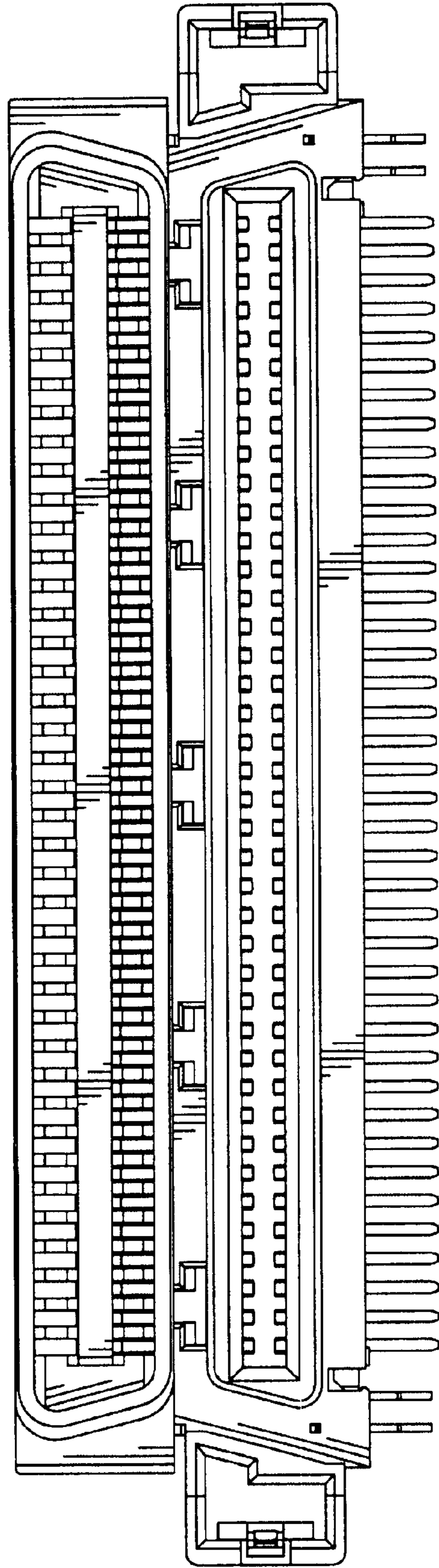


FIG. 2

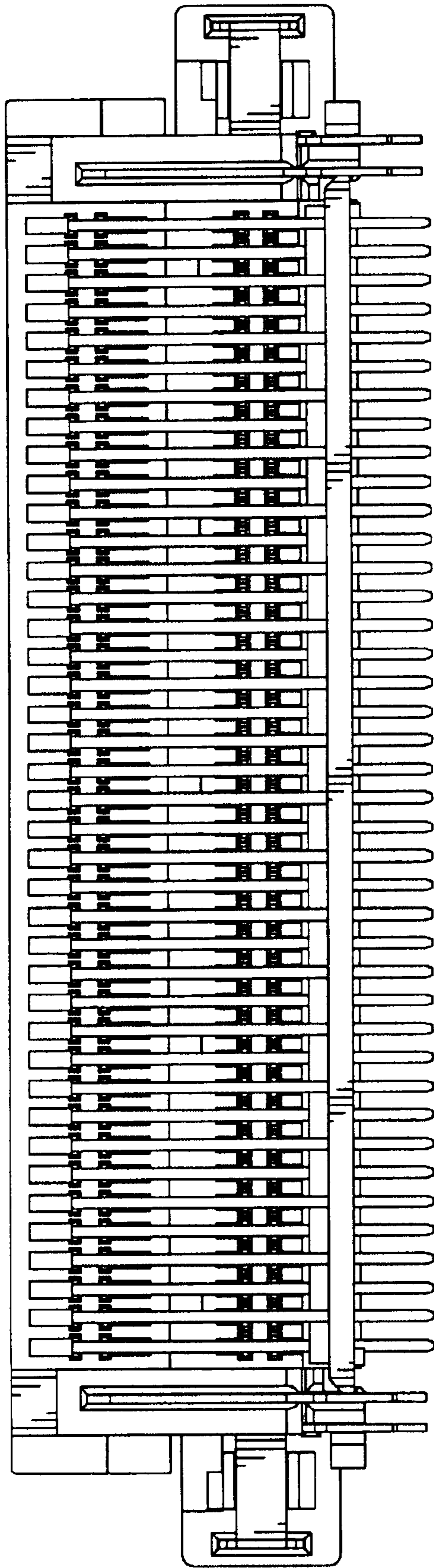


FIG. 3

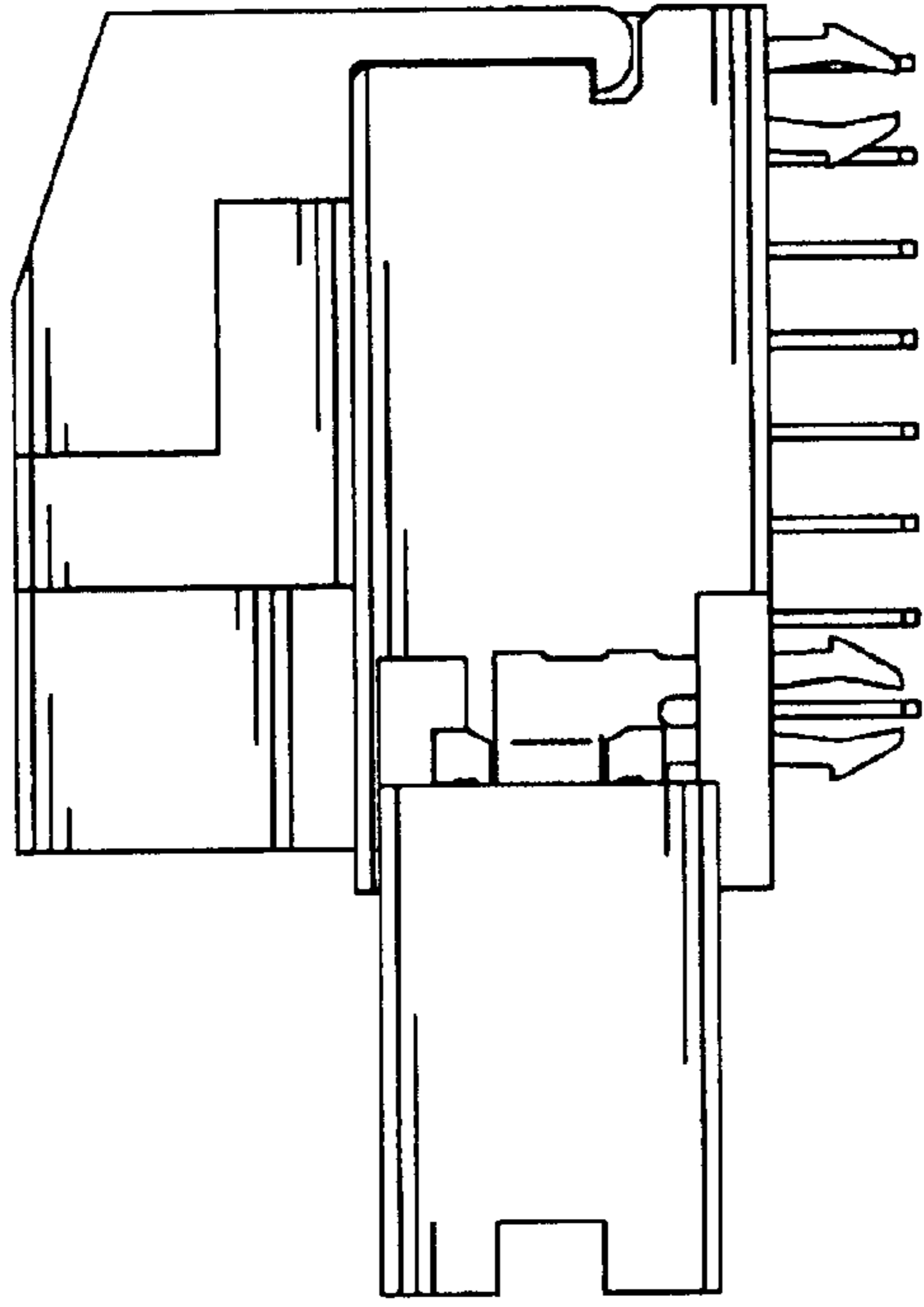


FIG. 5

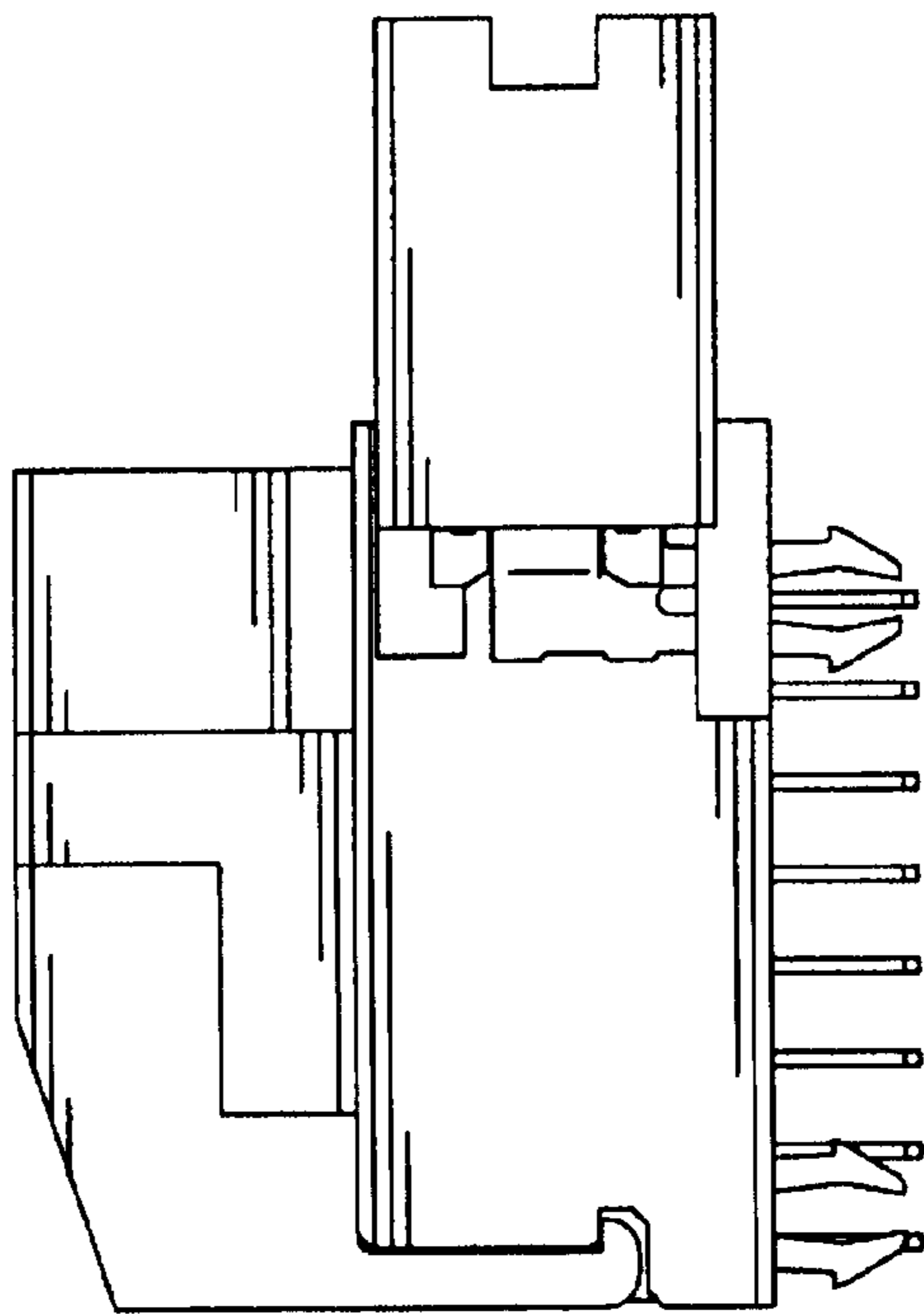


FIG. 4

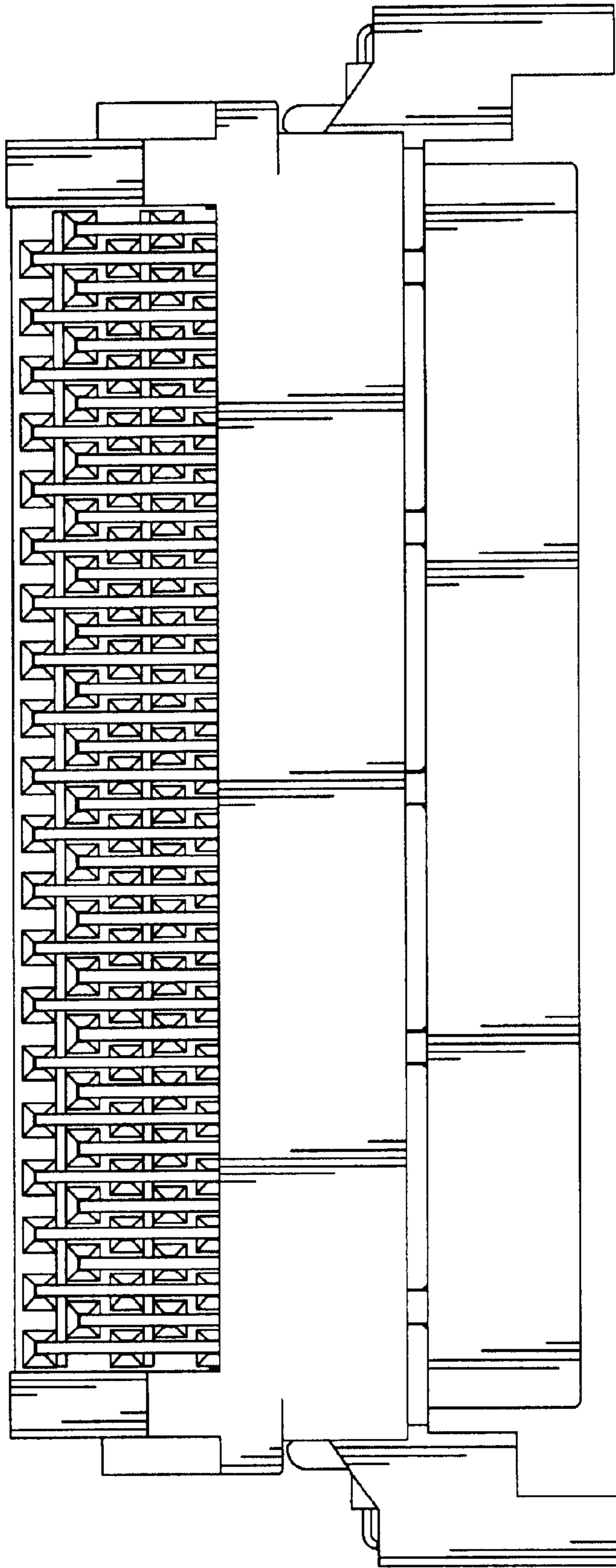


FIG. 6

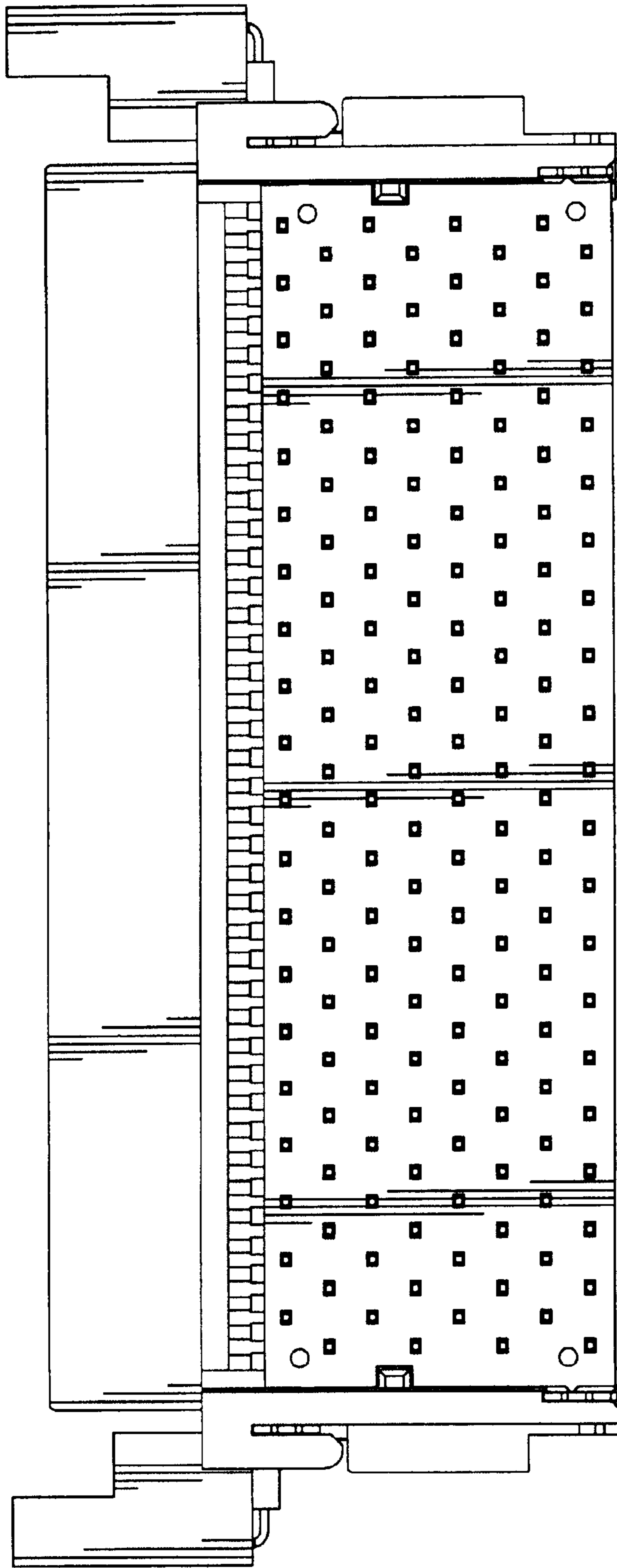


FIG. 7

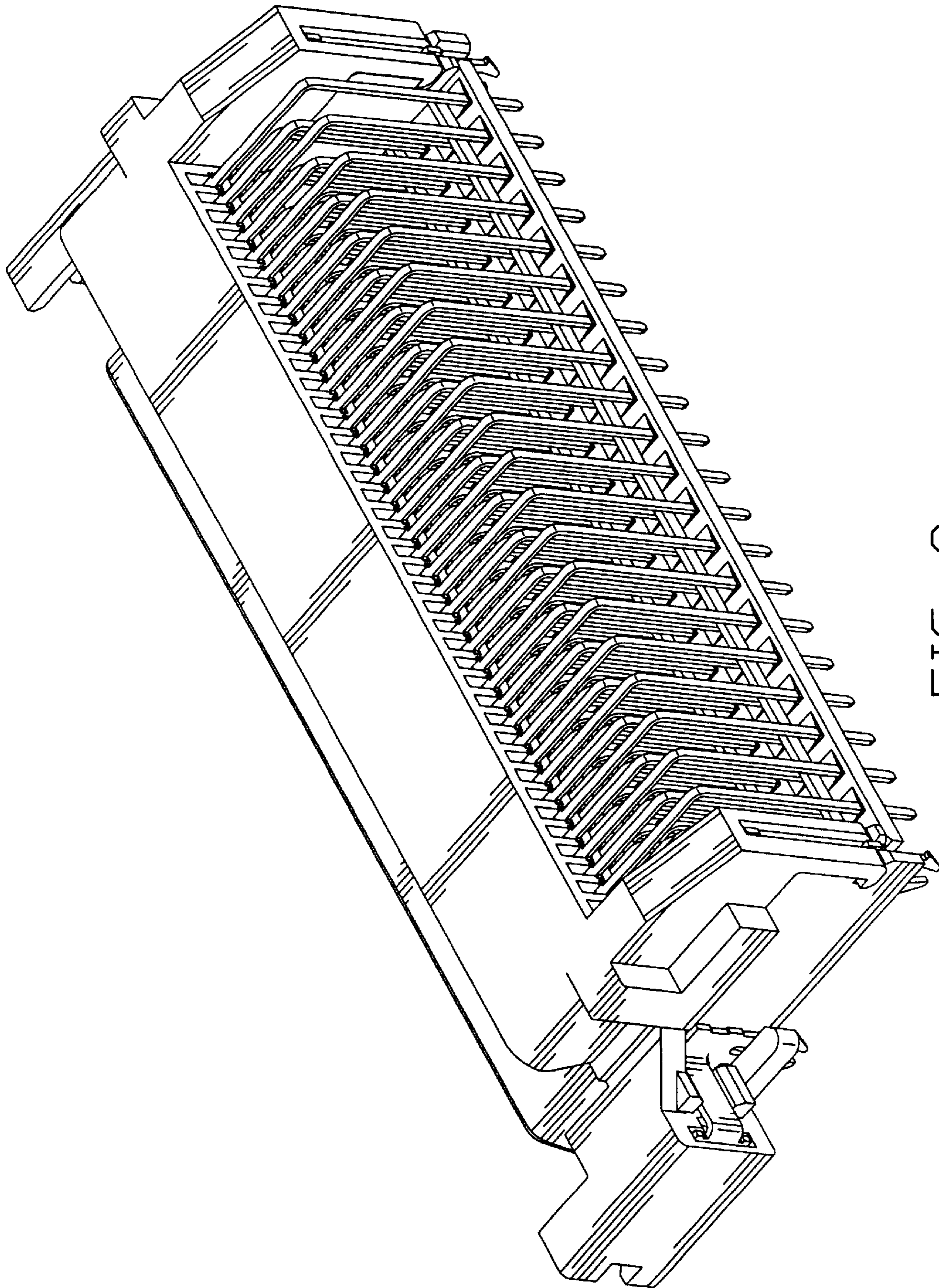


FIG. 8