



US00D467545S

(12) **United States Design Patent**
Wang

(10) **Patent No.:** **US D467,545 S**

(45) **Date of Patent:** **** Dec. 24, 2002**

(54) **COUPLER FOR HOME PLUG**

(75) **Inventor:** **Chun-Chieh Wang**, Changhua (TW)

(73) **Assignee:** **Accton Technology Corporation**,
Hsinchu (TW)

(**) **Term:** **14 Years**

(21) **Appl. No.:** **29/160,776**

(22) **Filed:** **May 17, 2002**

(51) **LOC (7) Cl.** **13-03**

(52) **U.S. Cl.** **D13/138.1**

(58) **Field of Search** D13/133, 138.1-138.2,
D13/153-154, 160, 199; 439/160, 606,
607, 620, 638, 650-653, 660, 669, 692

(56) **References Cited**

U.S. PATENT DOCUMENTS

D345,342 S * 3/1994 Fox D13/138.1
D356,293 S * 3/1995 Riley et al. D13/153

D367,261 S * 2/1996 Hansen D13/138.1
D379,964 S * 6/1997 Maddock et al. D13/138.1
6,151,520 A * 11/2000 Combs 439/669

* cited by examiner

Primary Examiner—Robert M. Spear

(74) *Attorney, Agent, or Firm*—Birch, Stewart, Kolasch &
Birch, LLP

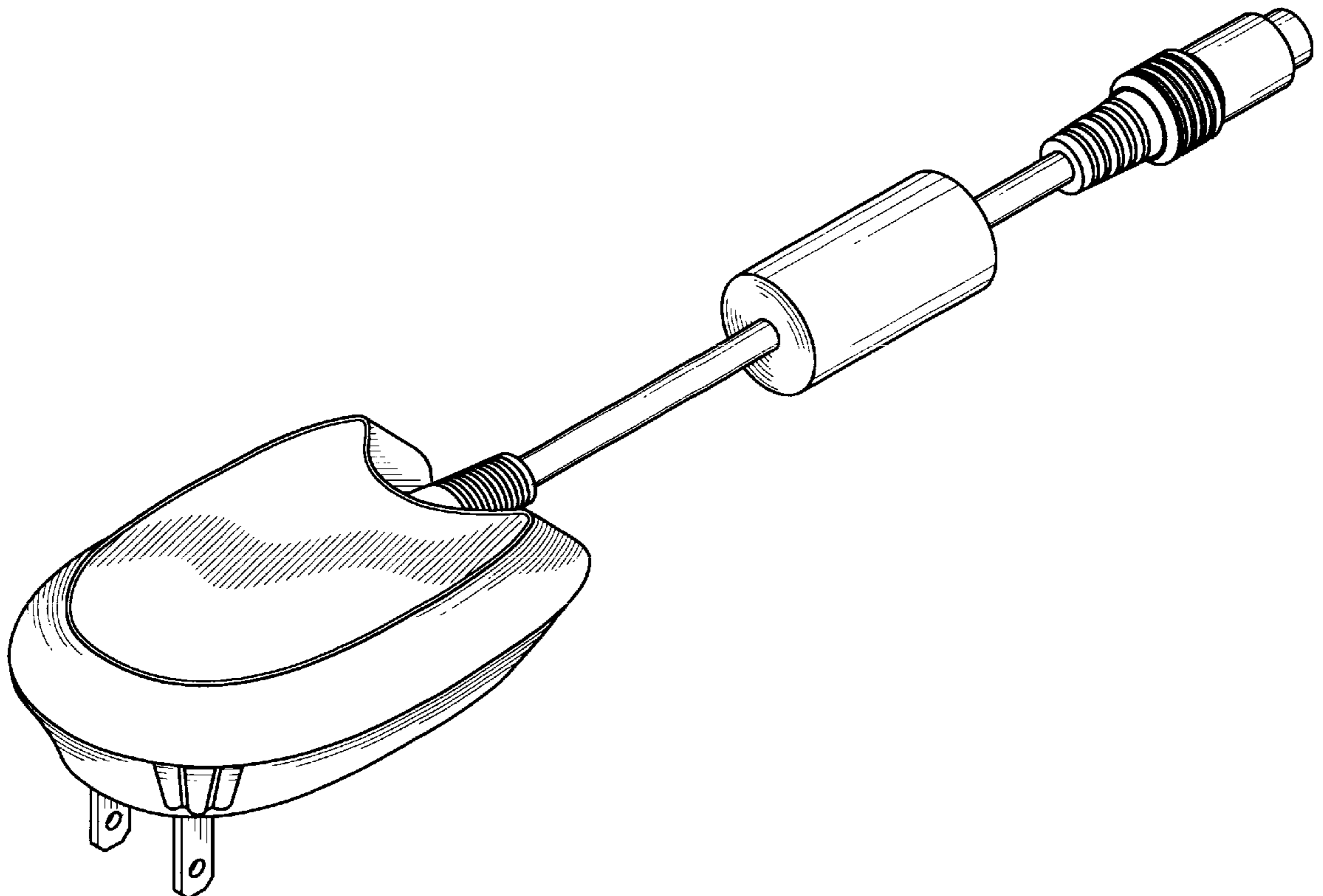
(57) **CLAIM**

The ornamental design for a coupler for home plug, as shown and described.

DESCRIPTION

FIG. 1 is a perspective view thereof;
FIG. 2 is a right side elevational view thereof;
FIG. 3 is a top plan view thereof;
FIG. 4 is a front elevational view thereof;
FIG. 5 is a bottom plan view thereof;
FIG. 6 is a left side elevational view thereof; and,
FIG. 7 is a rear elevational view thereof.

1 Claim, 7 Drawing Sheets



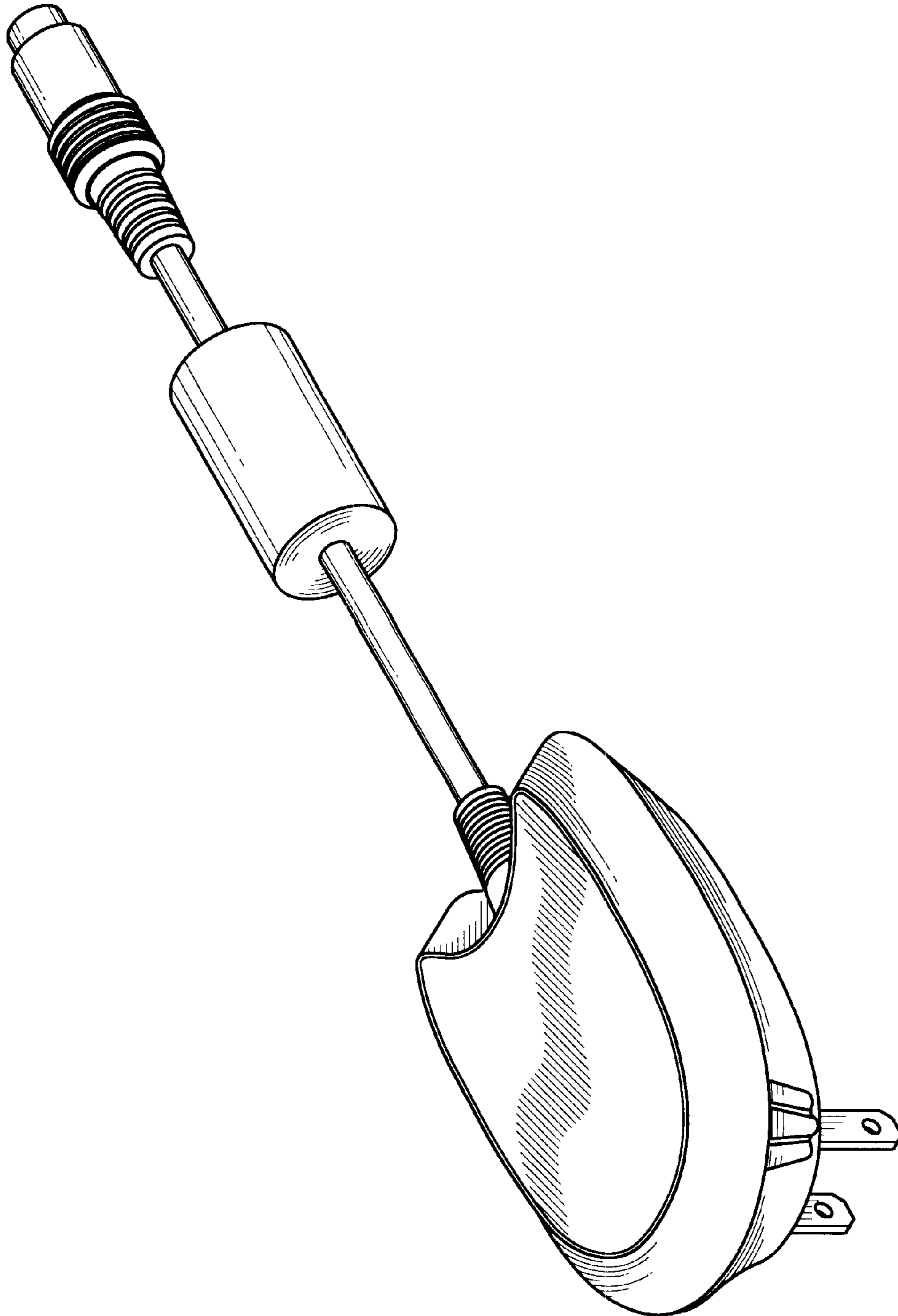


FIG. 1

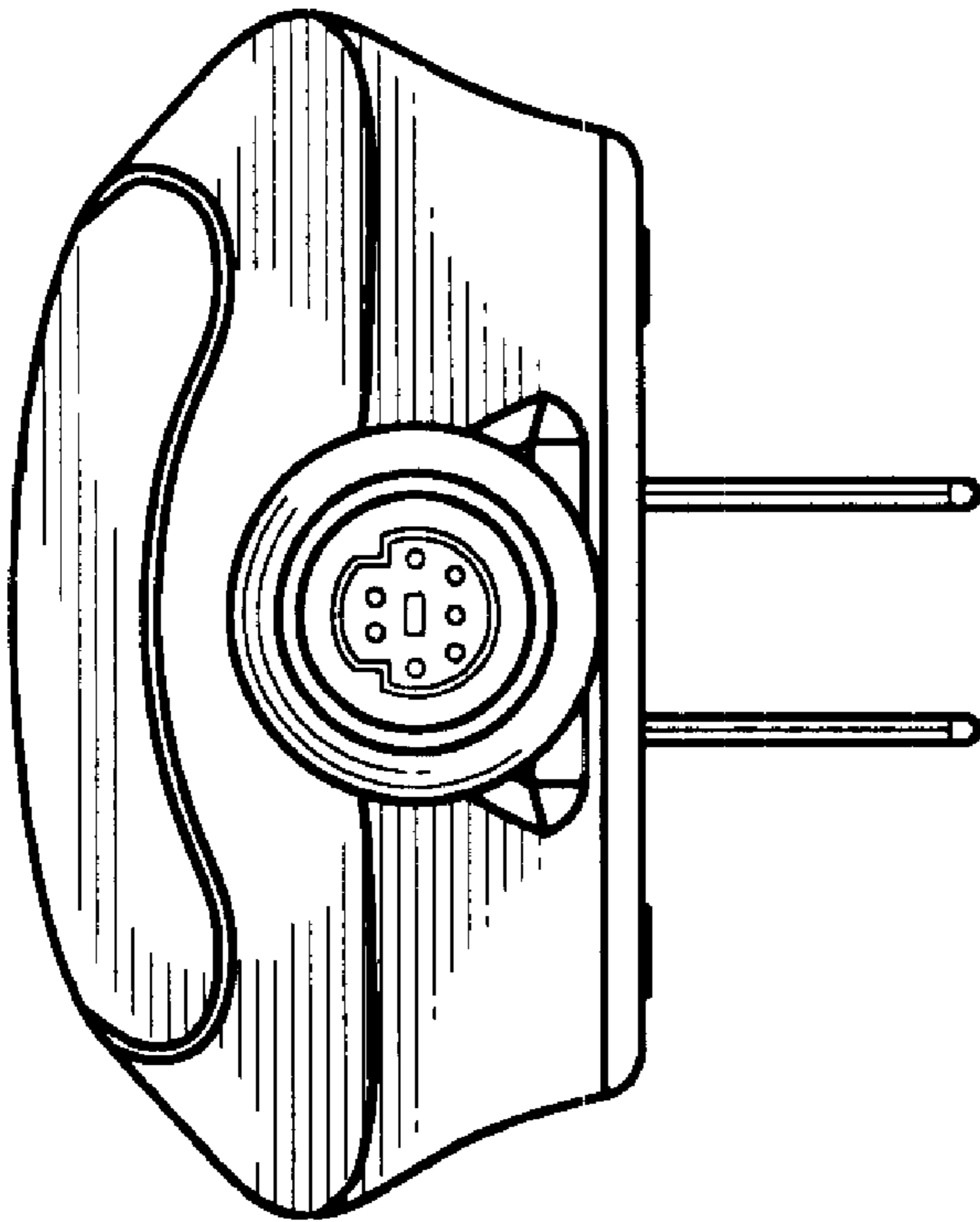


FIG. 2

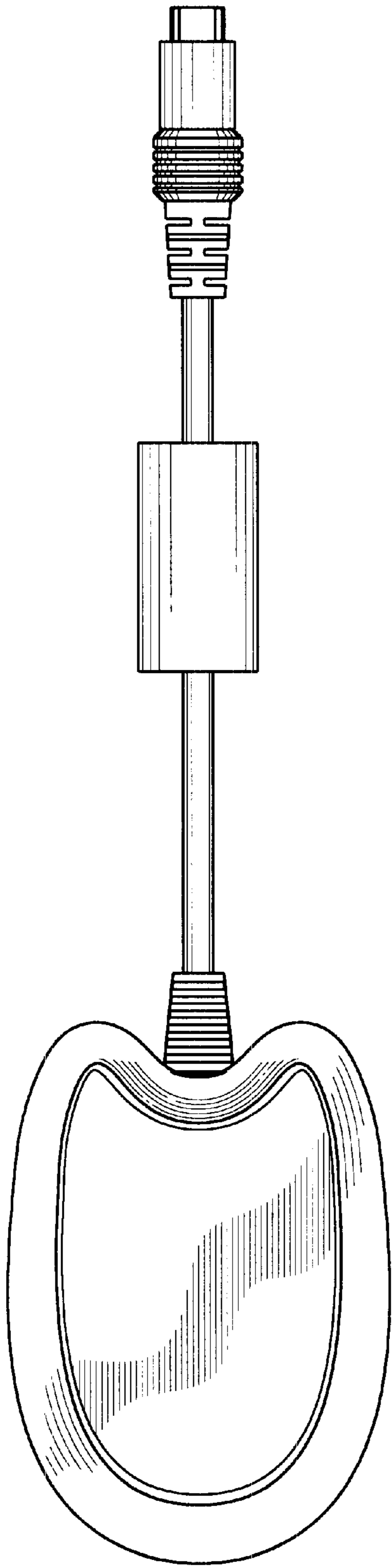


FIG. 3

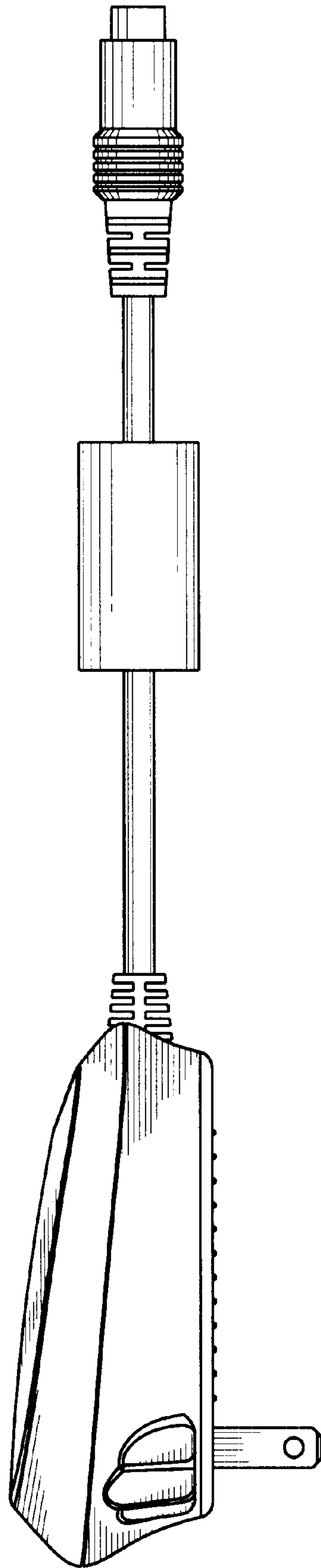


FIG. 4

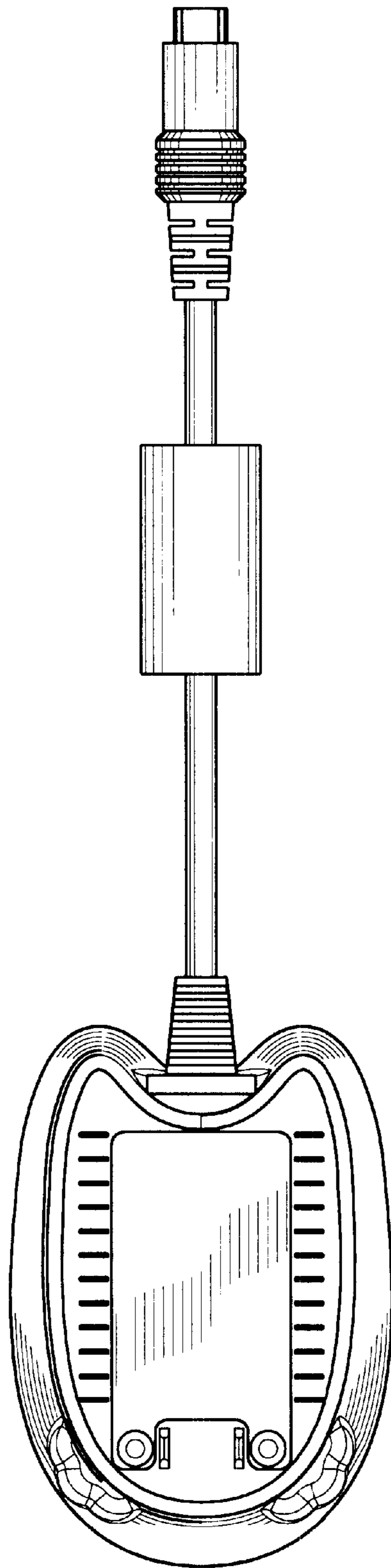


FIG. 5

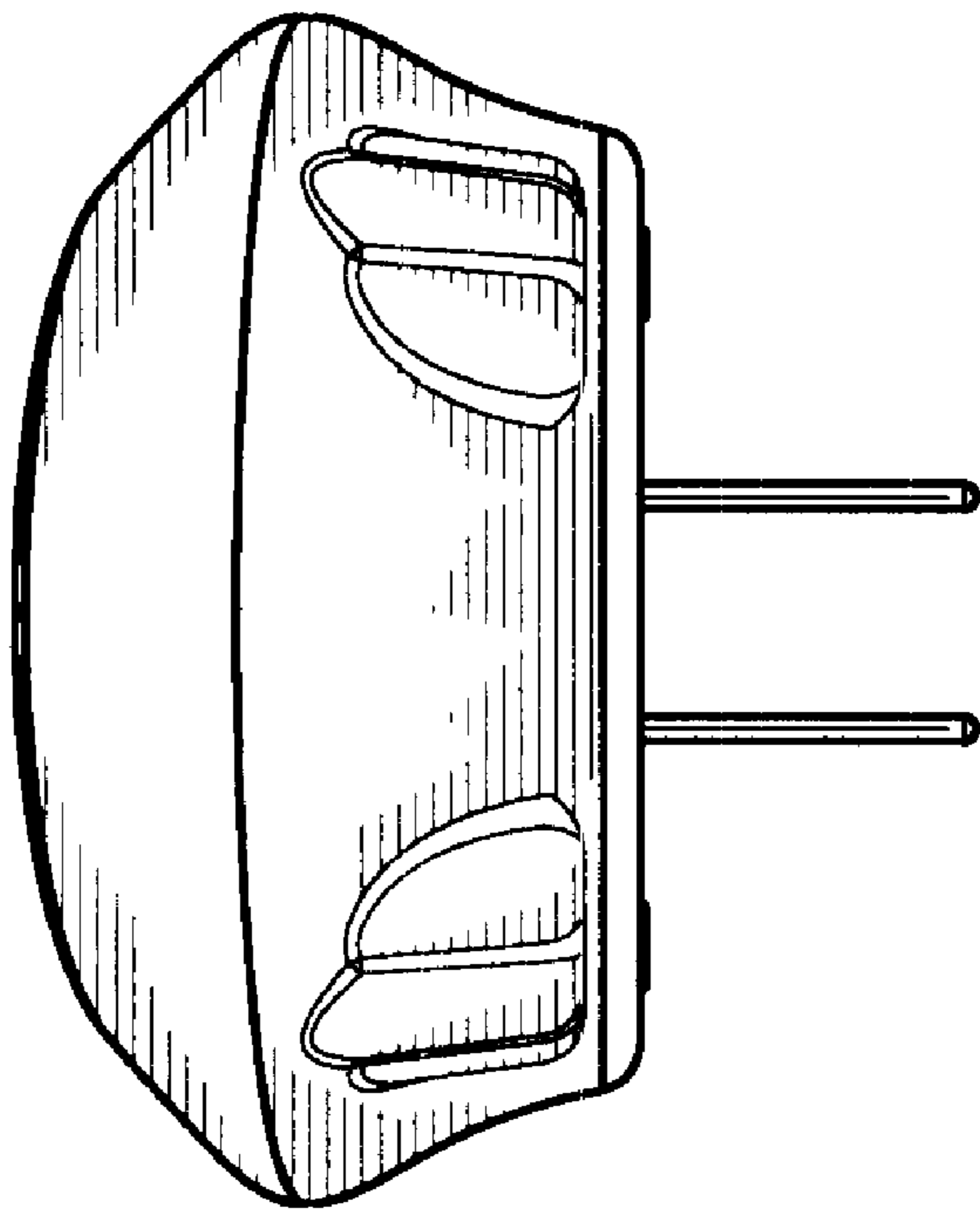


FIG. 6

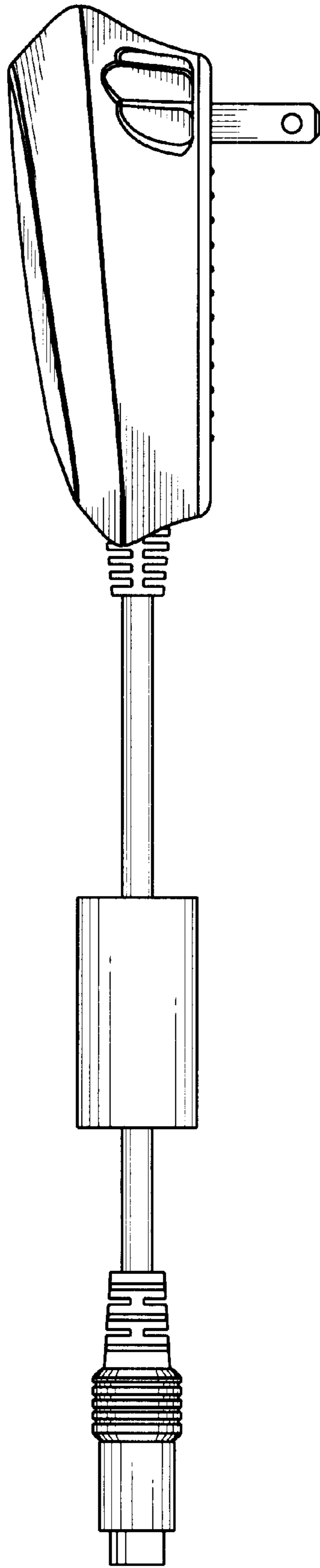


FIG. 7