



US00D467544S

(12) **United States Design Patent**
Hwang

(10) **Patent No.:** **US D467,544 S**

(45) **Date of Patent:** **** Dec. 24, 2002**

(54) **PLUGGABLE OPTICAL TRANSCEIVER MODULE**

(75) **Inventor:** **Jenq-Yih Hwang, Irvine, CA (US)**

(73) **Assignee:** **Hon Hai Precision Ind. Co., Ltd., Taipei Hsien (TW)**

(**) **Term:** **14 Years**

(21) **Appl. No.:** **29/151,735**

(22) **Filed:** **Nov. 5, 2001**

(51) **LOC (7) Cl.** **13-03**

(52) **U.S. Cl.** **D13/123**

(58) **Field of Search** D10/80, 103; D13/123, D13/133, 152, 154, 184, 199; 174/50.52, 50.54, 52.1, 53; 206/721, 722, 724; 361/679, 724, 752, 816, 821; 439/76.1, 567, 609

(56) **References Cited**

U.S. PATENT DOCUMENTS

D330,006 S	*	10/1992	Kamakura et al.	D13/123
5,559,676 A	*	9/1996	Gessaman	361/752
5,725,386 A	*	3/1998	Davis et al.	439/609
5,726,864 A	*	3/1998	Copeland et al.	361/800
5,738,544 A	*	4/1998	Davis	439/607
5,755,595 A	*	5/1998	Davis et al.	439/607
5,797,770 A	*	8/1998	Davis et al.	439/607
6,047,172 A	*	4/2000	Babineau et al.	455/300

6,095,862 A	*	8/2000	Doye et al.	439/607
6,111,760 A	*	8/2000	Nixon	361/814
6,113,428 A	*	9/2000	Yeh	439/609
6,139,367 A	*	10/2000	Yeh	439/609
6,206,730 B1	*	3/2001	Avery et al.	439/609
6,241,534 B1	*	6/2001	Neer et al.	439/76.1
6,290,540 B1	*	9/2001	Nishio et al.	439/607
6,305,955 B1	*	10/2001	Billman	439/138
6,328,603 B1	*	12/2001	Chang	439/620
6,351,394 B1	*	2/2002	Cunningham	361/818
6,358,066 B1	*	3/2002	Gilliland	439/76.1

* cited by examiner

Primary Examiner—Robert M. Spear

(74) *Attorney, Agent, or Firm*—Wei Te Chung

(57) **CLAIM**

The ornamental design for a pluggable optical transceiver module, as shown.

DESCRIPTION

FIG. 1 is a perspective view of a pluggable optical transceiver module showing my new design;

FIG. 2 is a front view thereof;

FIG. 3 is a rear view thereof;

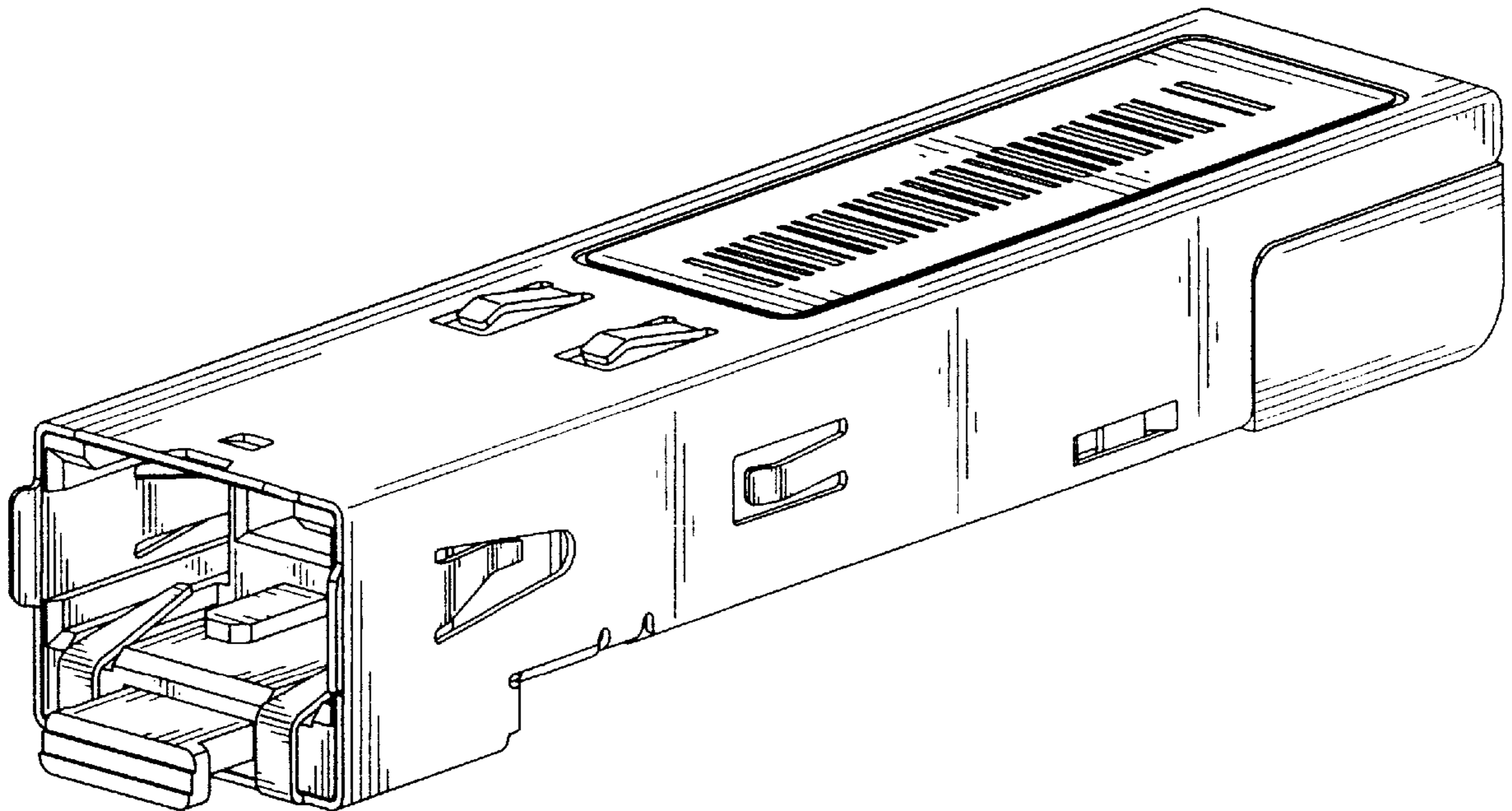
FIG. 4 is a left side elevational view thereof;

FIG. 5 is a right side elevational view thereof;

FIG. 6 is a top plan view thereof; and,

FIG. 7 is a bottom plan view thereof.

1 Claim, 5 Drawing Sheets



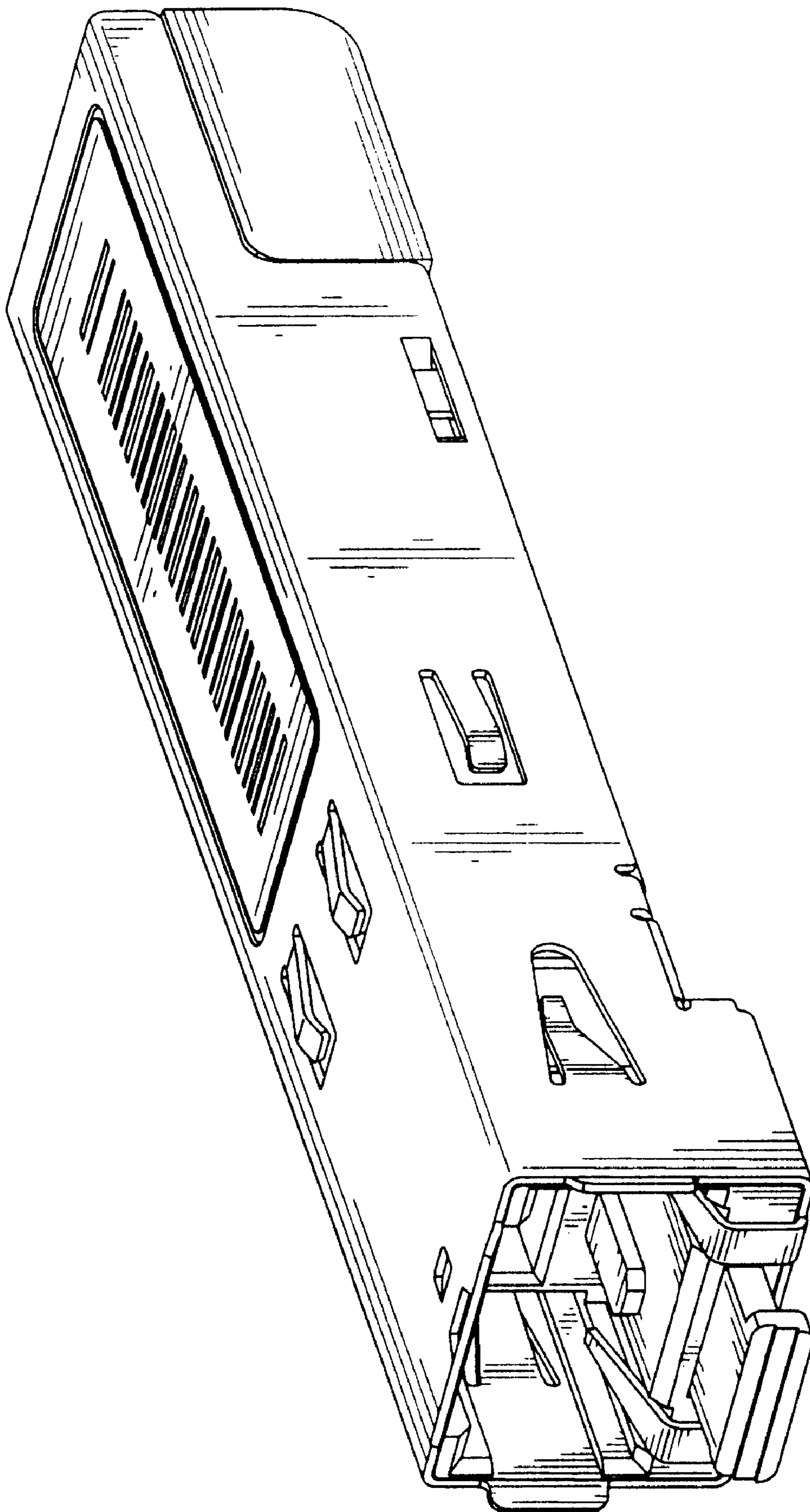


FIG. 1

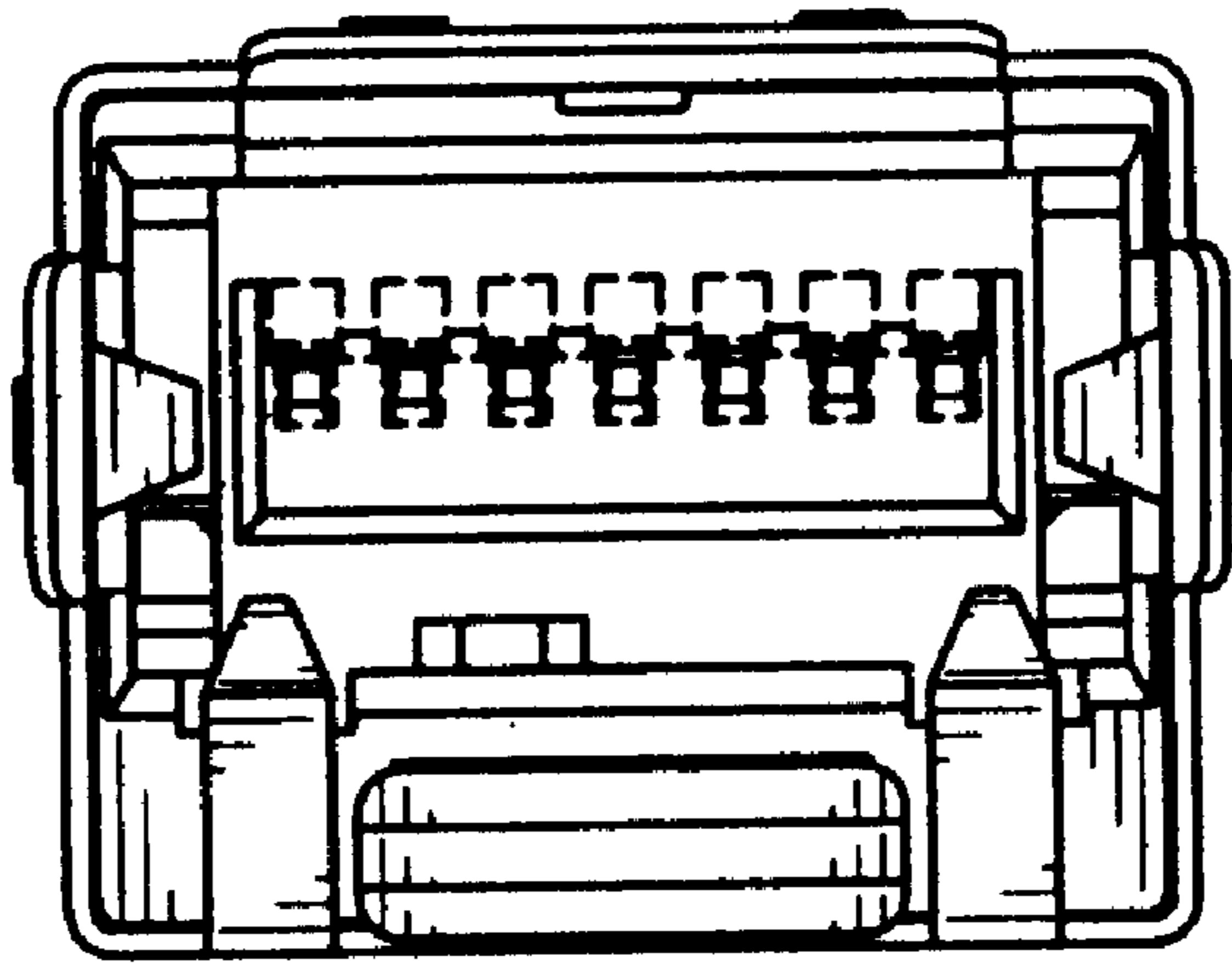


FIG. 2

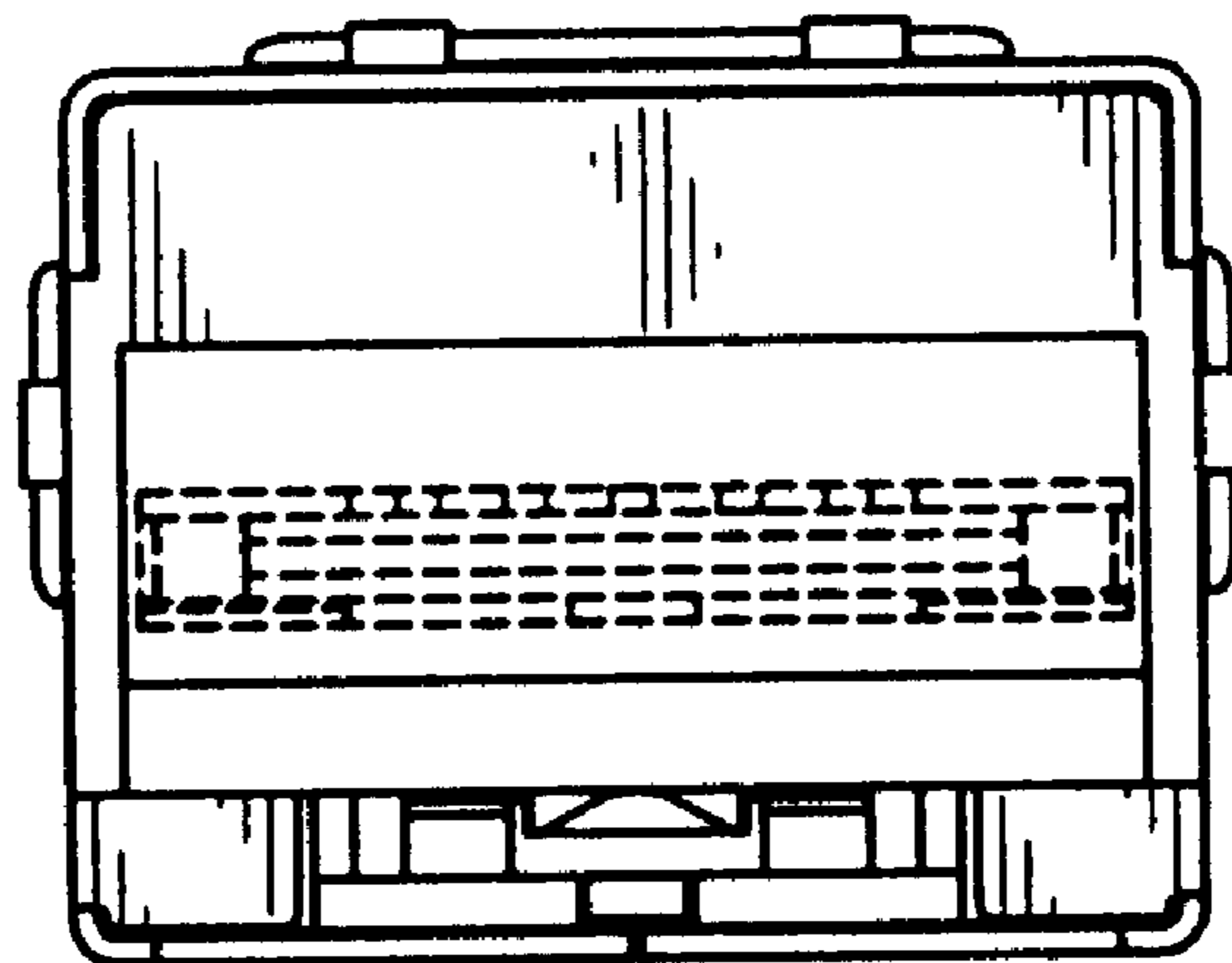


FIG. 3

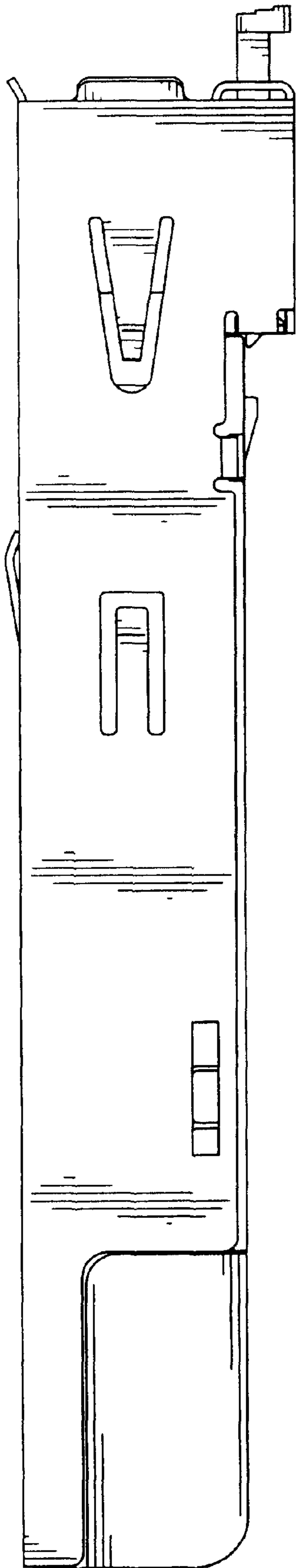


FIG. 4

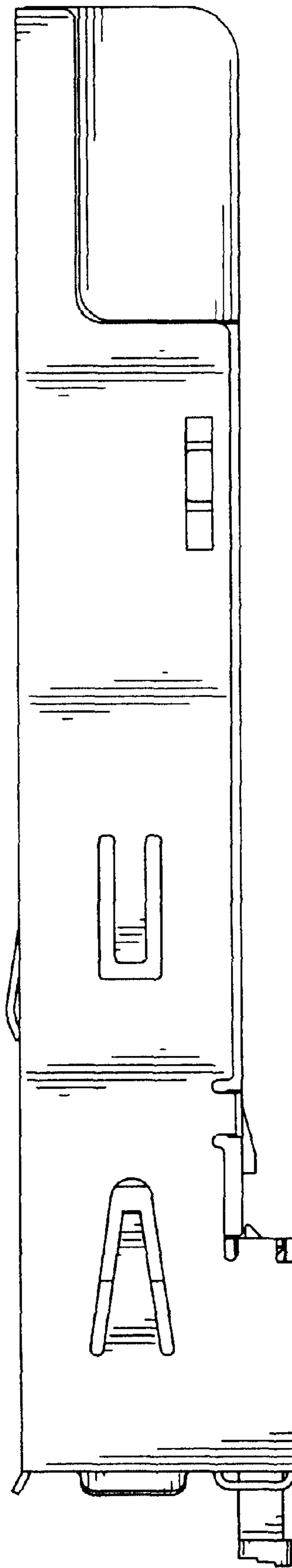


FIG. 5

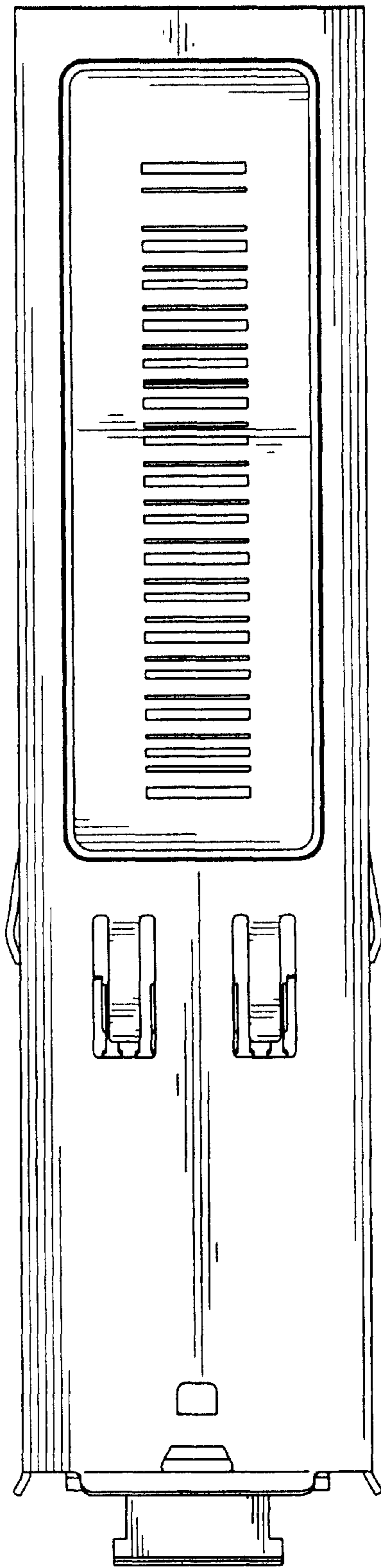


FIG. 6

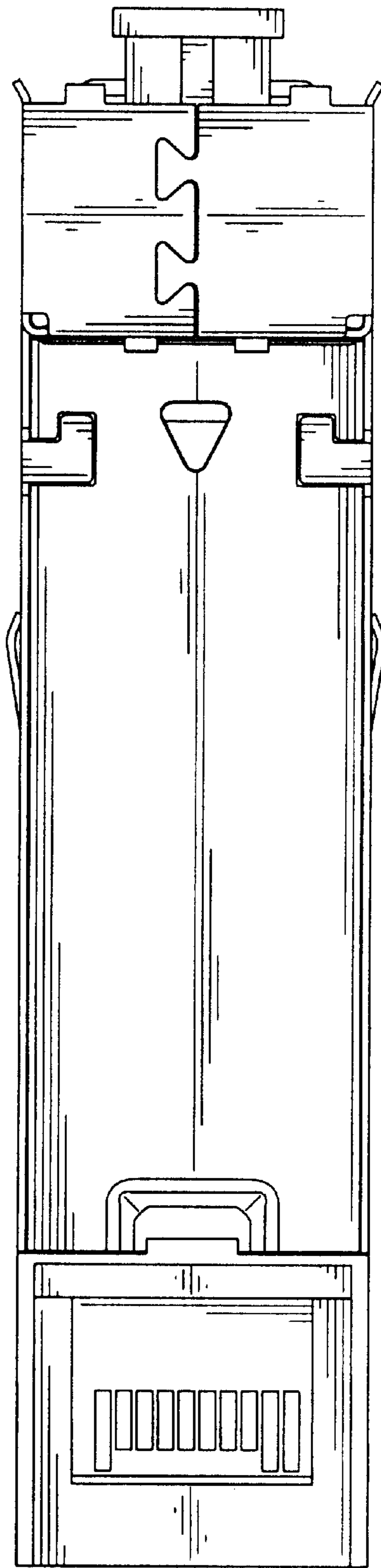


FIG. 7