



US00D467539S

(12) **United States Design Patent**  
**Kataoka**

(10) **Patent No.:** **US D467,539 S**

(45) **Date of Patent:** **\*\* Dec. 24, 2002**

(54) **CHARGER**

(75) Inventor: **Tetsu Kataoka**, Tokyo (JP)

(73) Assignee: **Sony Corporation**, Tokyo (JP)

(\*\*) Term: **14 Years**

(21) Appl. No.: **29/158,281**

(22) Filed: **Apr. 3, 2002**

(51) **LOC (7) Cl.** ..... **13-02**

(52) **U.S. Cl.** ..... **D13/108**

(58) **Field of Search** ..... D13/107, 108,  
D13/110; 320/110-115

(56) **References Cited**

**U.S. PATENT DOCUMENTS**

D242,675 S \* 12/1976 McNair ..... D13/108 X  
D368,892 S 4/1996 Tanaka

**OTHER PUBLICATIONS**

Catalog, "Point Network, MD-ST77 Sharp", p. 62,  
Yodobashi Camera (Nov. 2000).

\* cited by examiner

*Primary Examiner*—Joel Sincavage

(74) *Attorney, Agent, or Firm*—Rader, Fishman & Grauer  
PLLC

(57) **CLAIM**

The ornamental design for a charger, as shown and  
described.

**DESCRIPTION**

FIG. 1 is a perspective view of a charger showing my new  
design;

FIG. 2 is a front elevational view thereof;

FIG. 3 is a rear elevational view thereof;

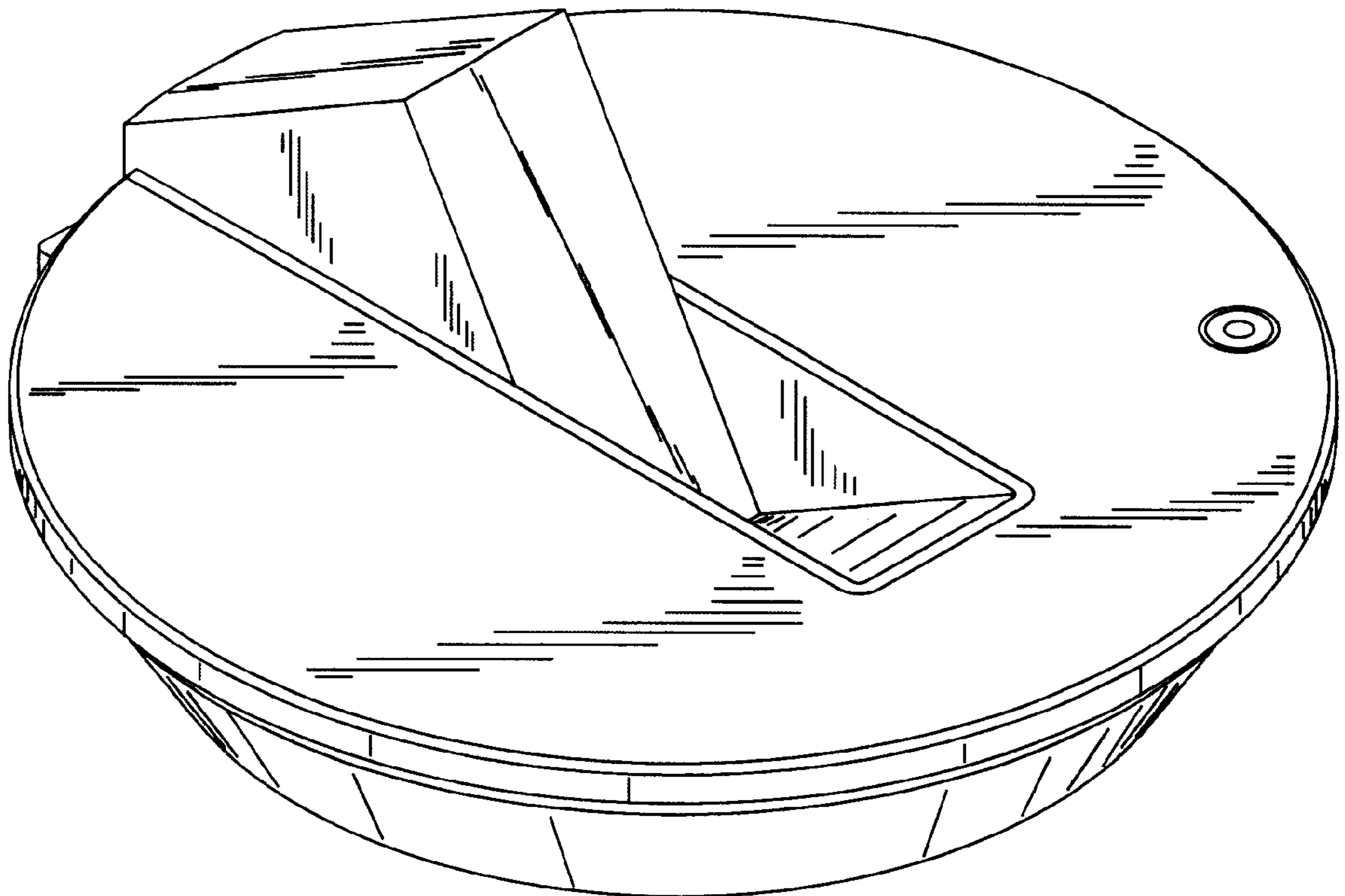
FIG. 4 is a left side elevational view thereof;

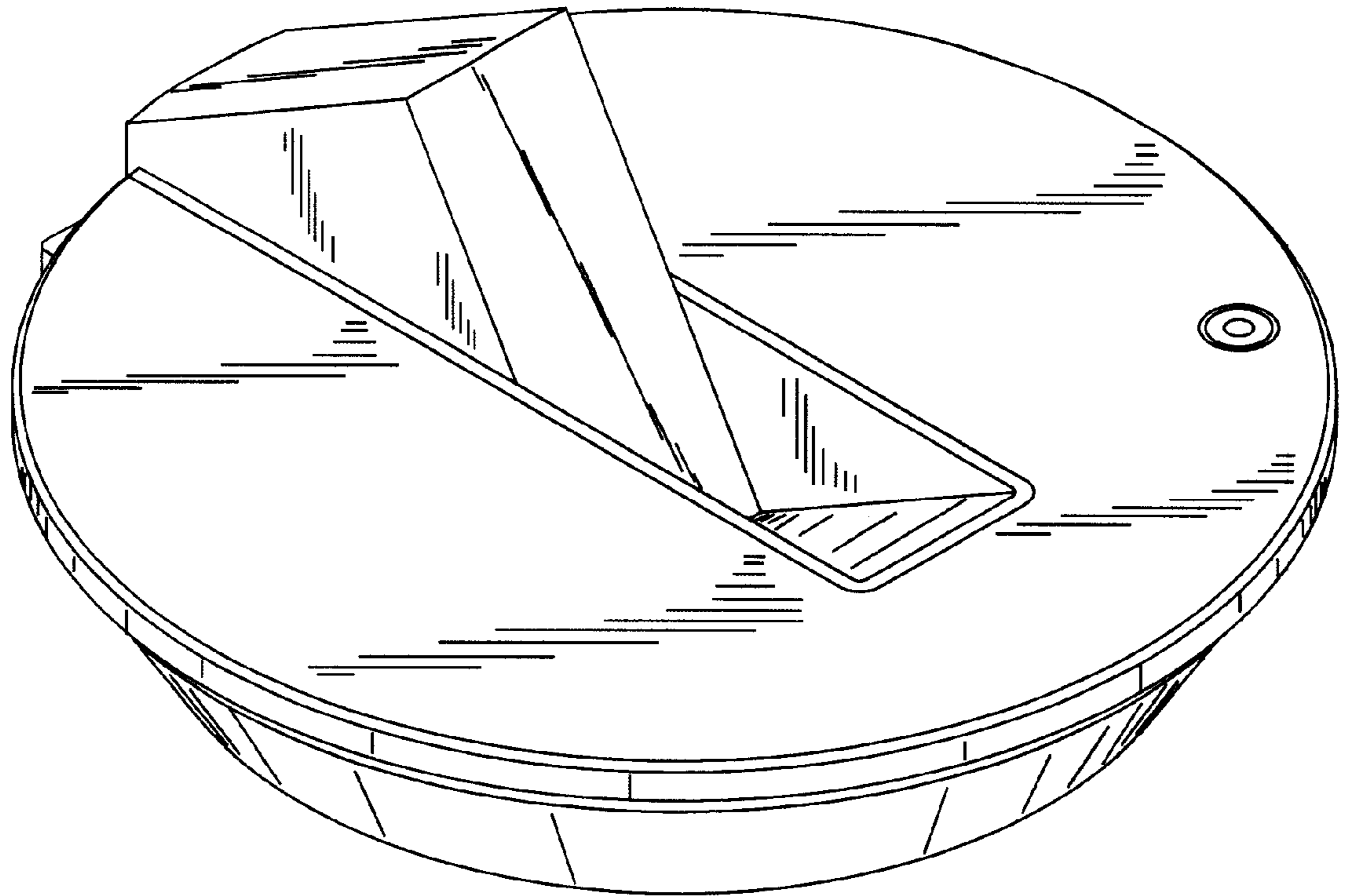
FIG. 5 is a right side elevational view thereof;

FIG. 6 is a top plan view thereof; and,

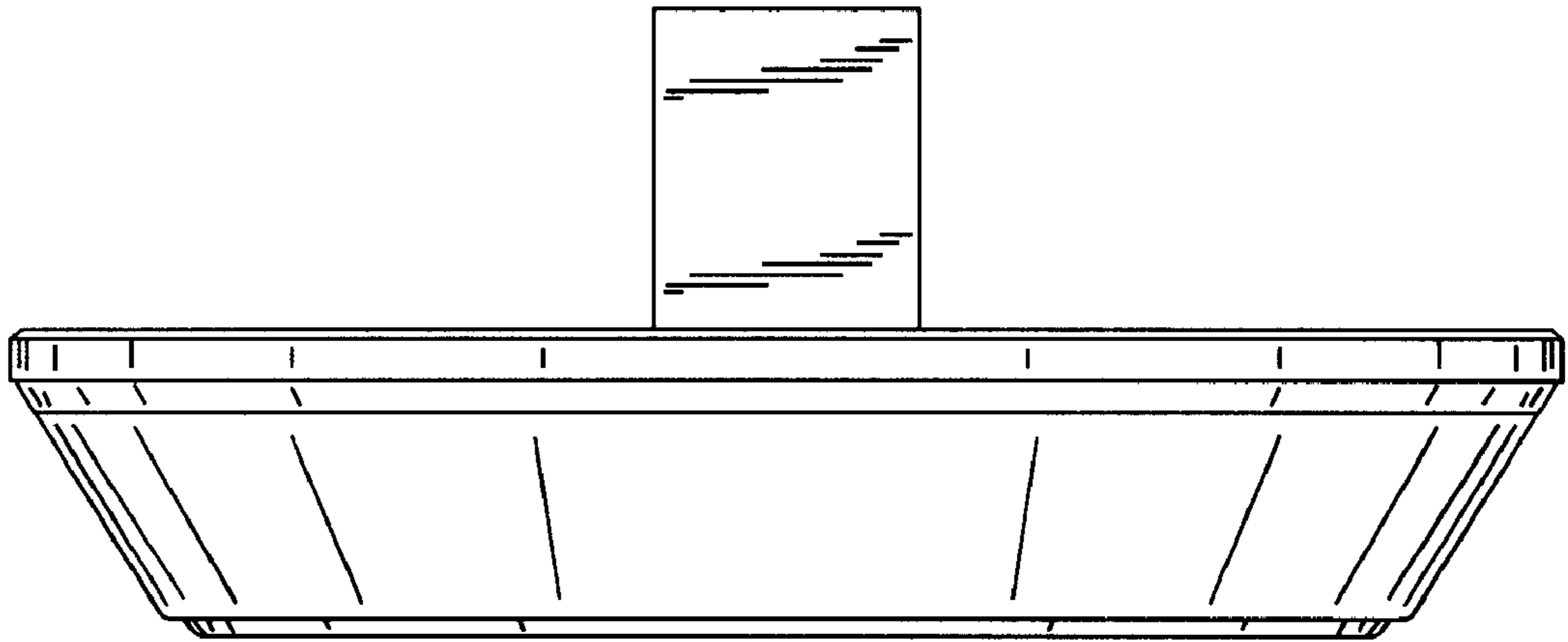
FIG. 7 is a bottom plan view thereof.

**1 Claim, 4 Drawing Sheets**

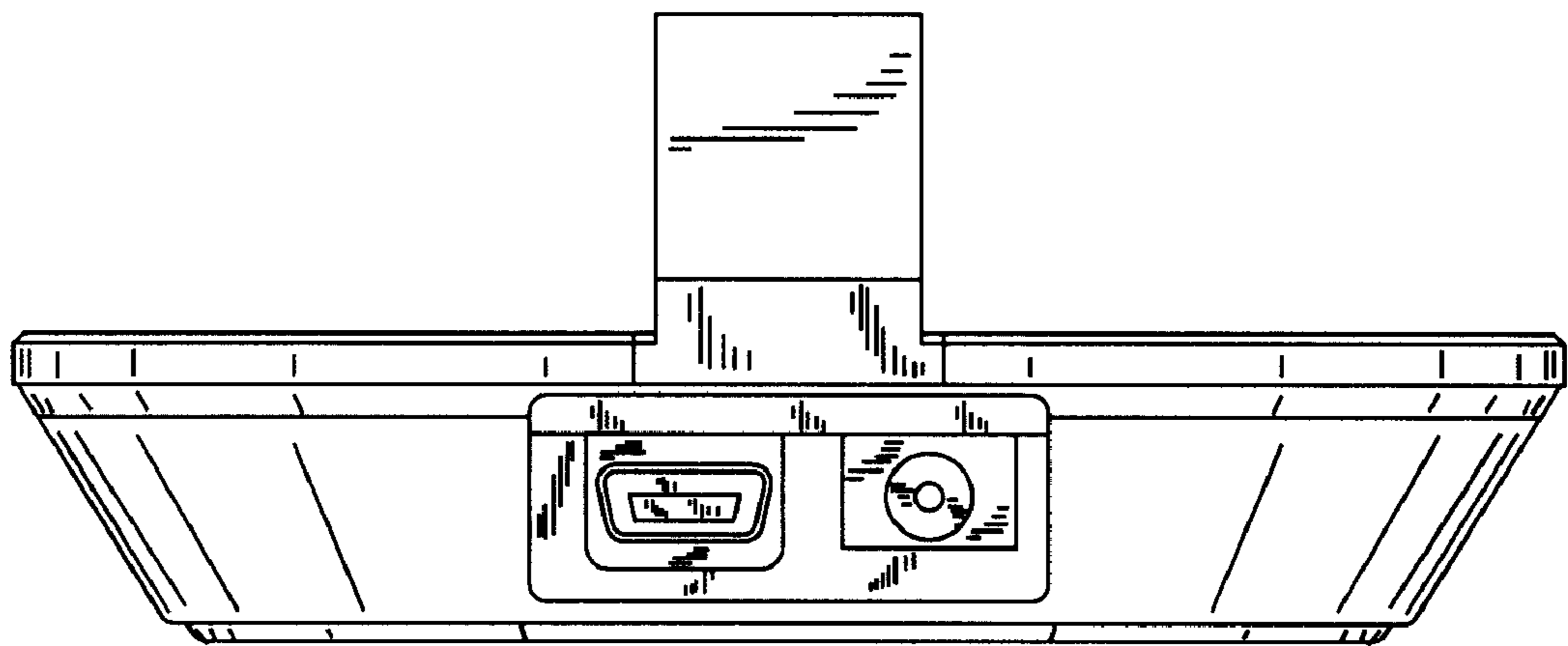




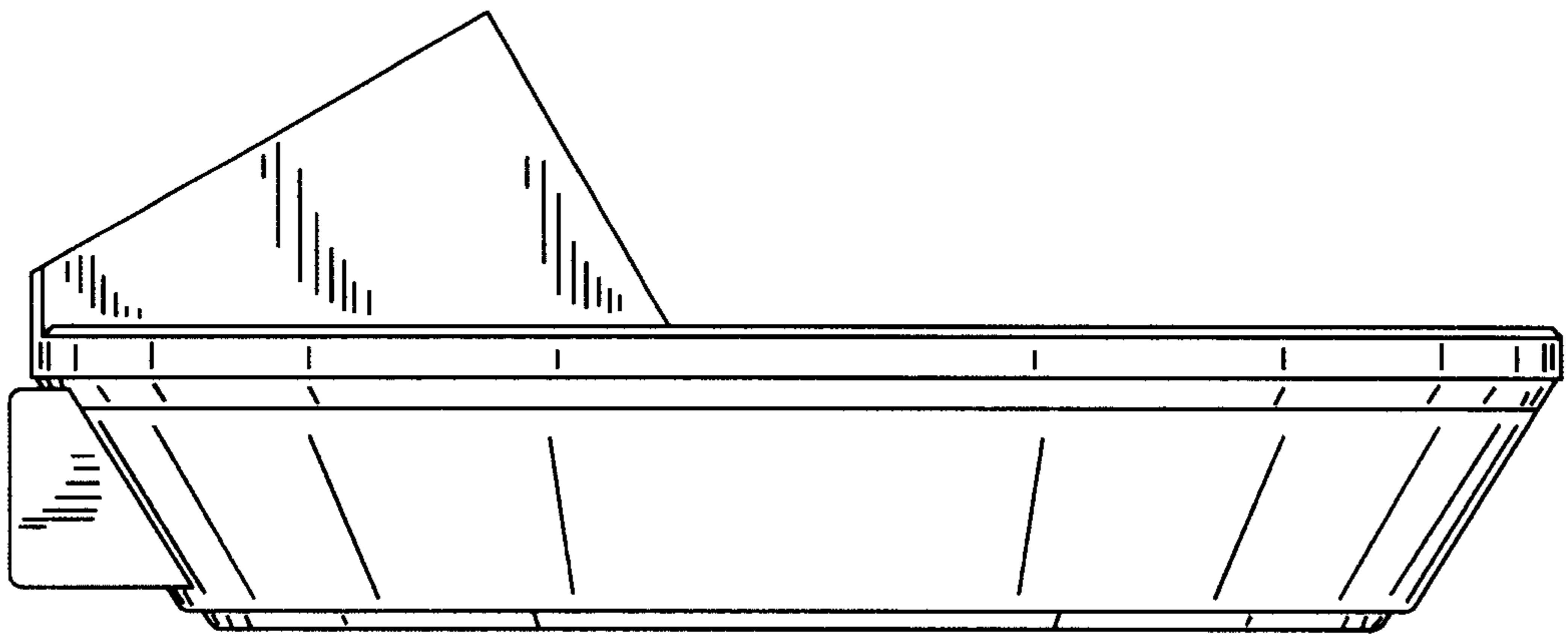
**Fig. 1**



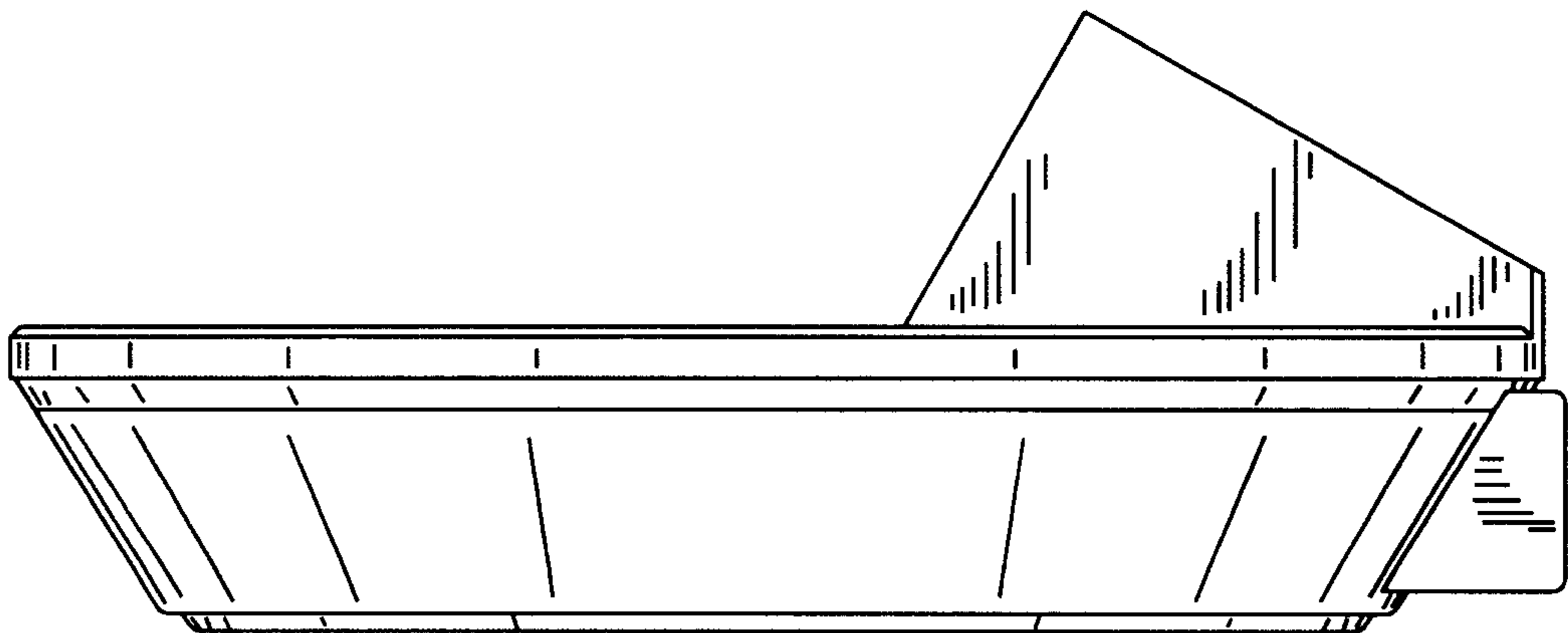
**Fig. 2**



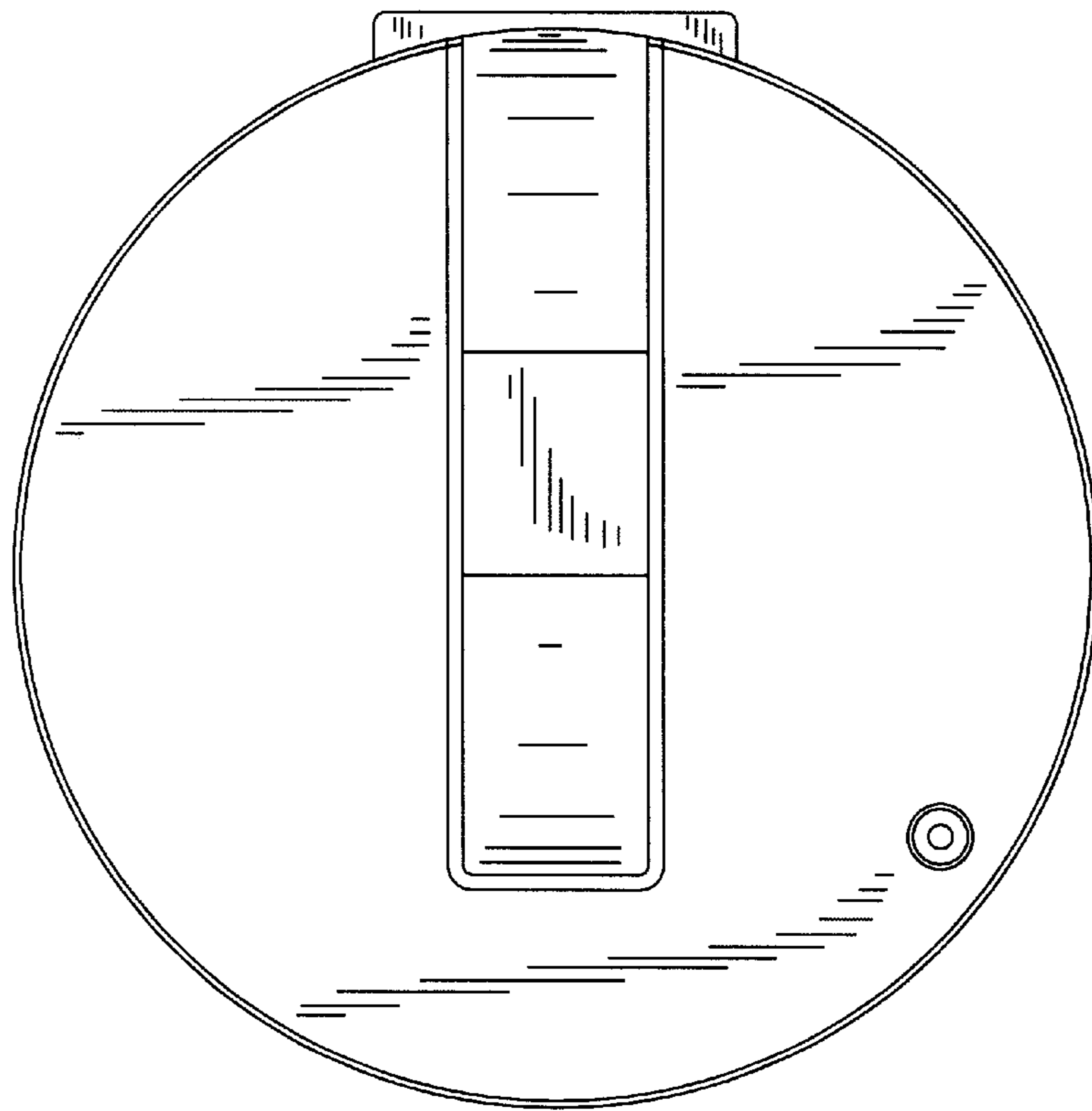
**Fig. 3**



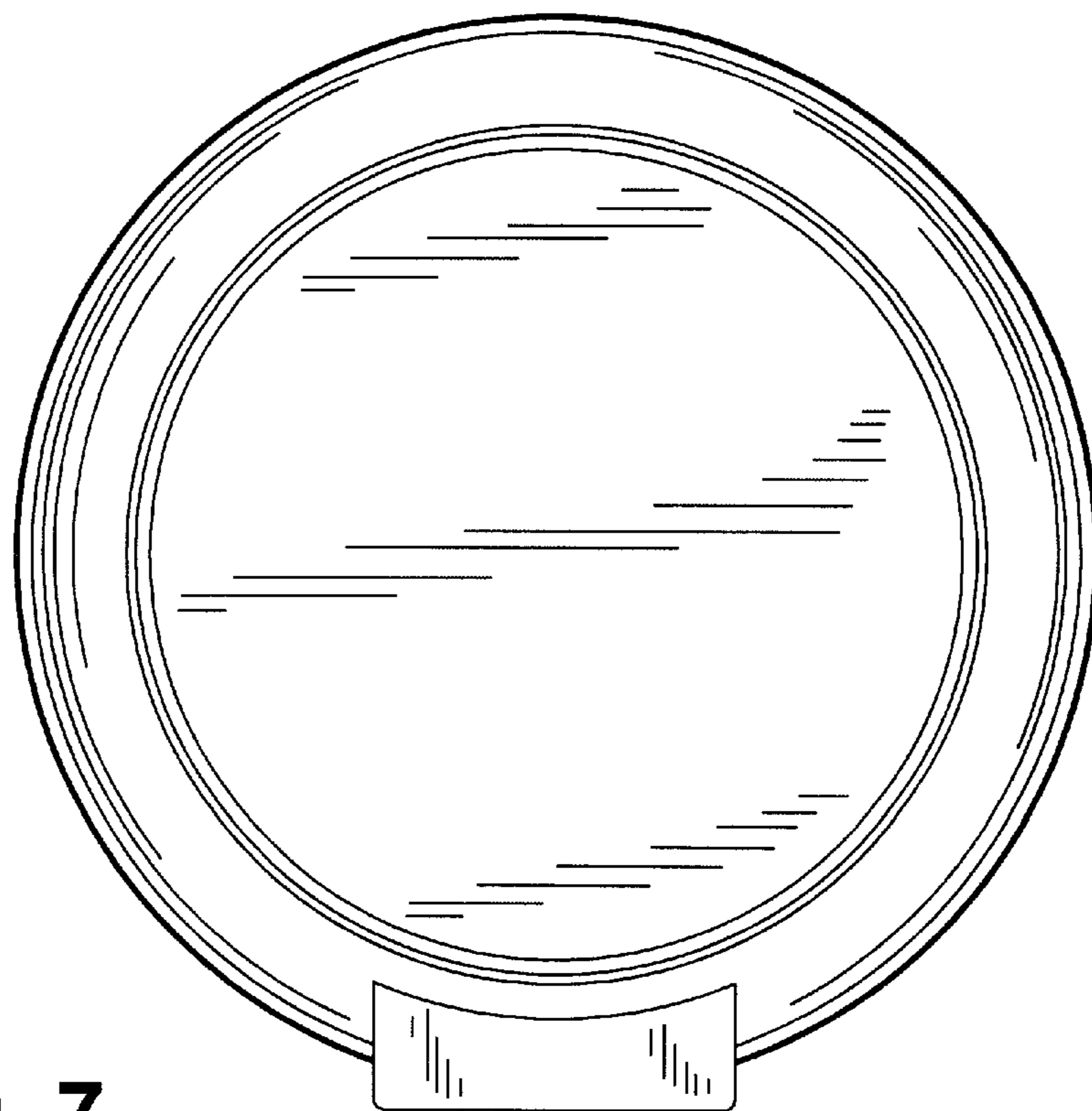
**Fig. 4**



**Fig. 5**



**Fig. 6**



**Fig. 7**